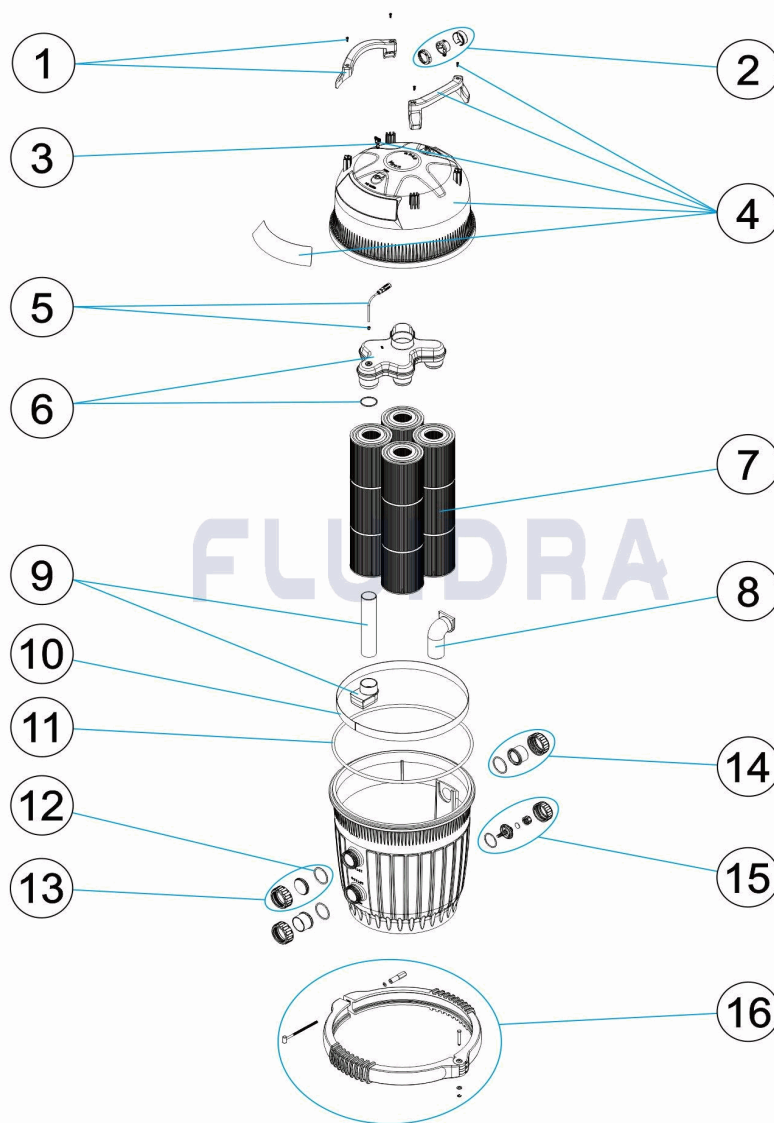


CODIGO **76340, 76341**

DESCRIPCION: **FILTRO CARTUCHO VIRON QL420 & QL540**



ESPAÑOL

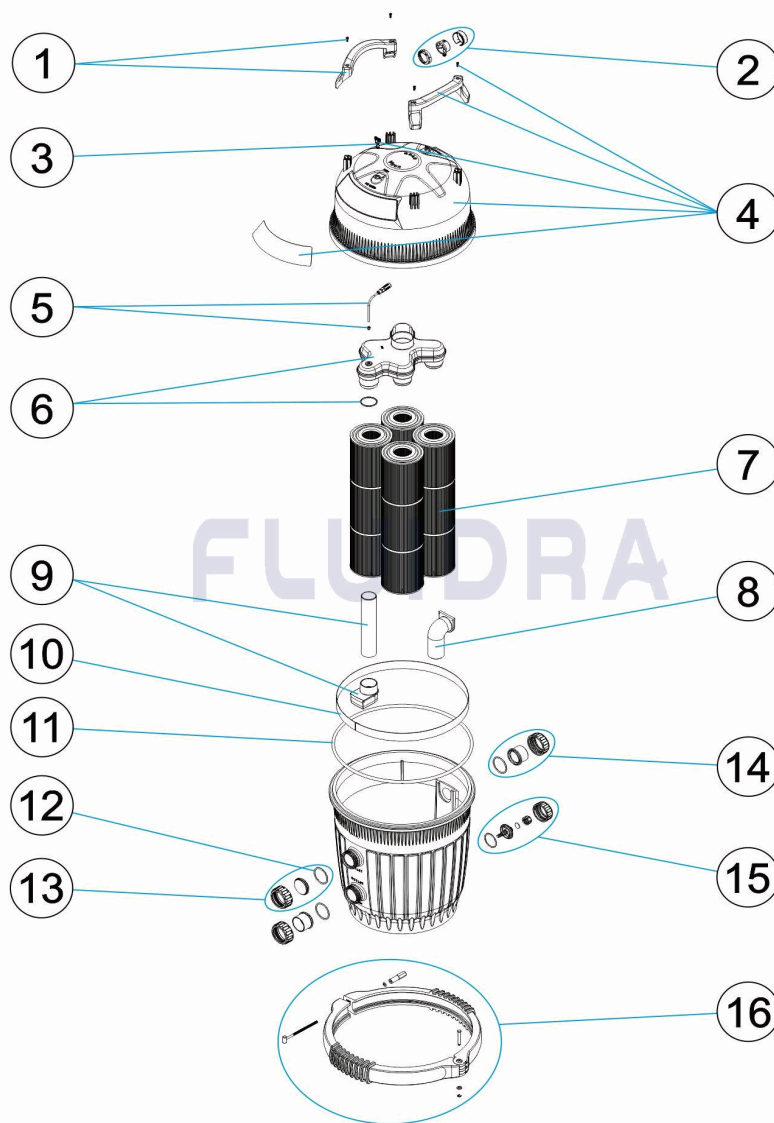
POS	CODIGO	DESCRIPCION	CANTIDAD	POS	CODIGO	DESCRIPCION	CANTIDAD
1	4404130026	ASA		9	4404130044	TUBO APOYO	
2	4404130036	MANOMETRO COMPLETO		10	4404130045	ANILLO INTERNO	
3	4404130037	TAPON PURGA Y JUNTA		11	4404130046	JUNTA CUERPO	
4	4404130038	TAPA SUPERIOR		12	4405010459	JUNTA UNION	
5	4404130039	PURGA AIRE		13	4404130049	TAPA CIEGA	
6	4404130040	EJE CARTUCHO		14	4408060131	BOLSA CONEXIÓN D. 50 EU	
7	* 4404130041	CARTUCHO FILTRACION QL420		15	4404130050	CJTO. PURGA	
7	* 4404130042	CARTUCHO FILTRACION QL540		16	4404130048	CJTO. ZUNCHO	
8	4404130043	CODO 90°					

CODIGO **76340, 76341**DESCRIPCION: **FILTRO CARTUCHO VIRON QL420 & QL540****OBSERVACIONES**

POS	CODIGO	OBSERVACIONES
7	* 4404130041	PARA: 76340
7	* 4404130042	PARA: 76341

CODE 76340, 76341

DESCRIPTION: FILTRE CARTOUCHE VIRON QL420 & QL540



FRANCAIS

POS	CODE	DESCRIPTION	QUANTITE	POS	CODE	DESCRIPTION	QUANTITE
1	4404130026	ANSE		9	4404130044	TUBE DE SUPPORT	
2	4404130036	MANOMETRE COMPLET		10	4404130045	BAGUE INTERNE	
3	4404130037	BOUCHON PURGE ET JOINT		11	4404130046	JOINT CORPS	
4	4404130038	COUVERCLE SUPÉRIEUR		12	4405010459	JOINTS DE SORTIES	
5	4404130039	PURGE D'AIR		13	4404130049	BOUCHON OBTURATEUR	
6	4404130040	AXE CARTOUCHE		14	4408060131	SAC RACCORD D. 50 EU	
7	* 4404130041	CARTOUCHE DE FILTRE QL420		15	4404130050	ENSEMBLE PURGE	
7	* 4404130042	CARTOUCHE DE FILTRE QL540		16	4404130048	ENS. COLLIER	
8	4404130043	COUDE 90°					

CODE **76340, 76341**

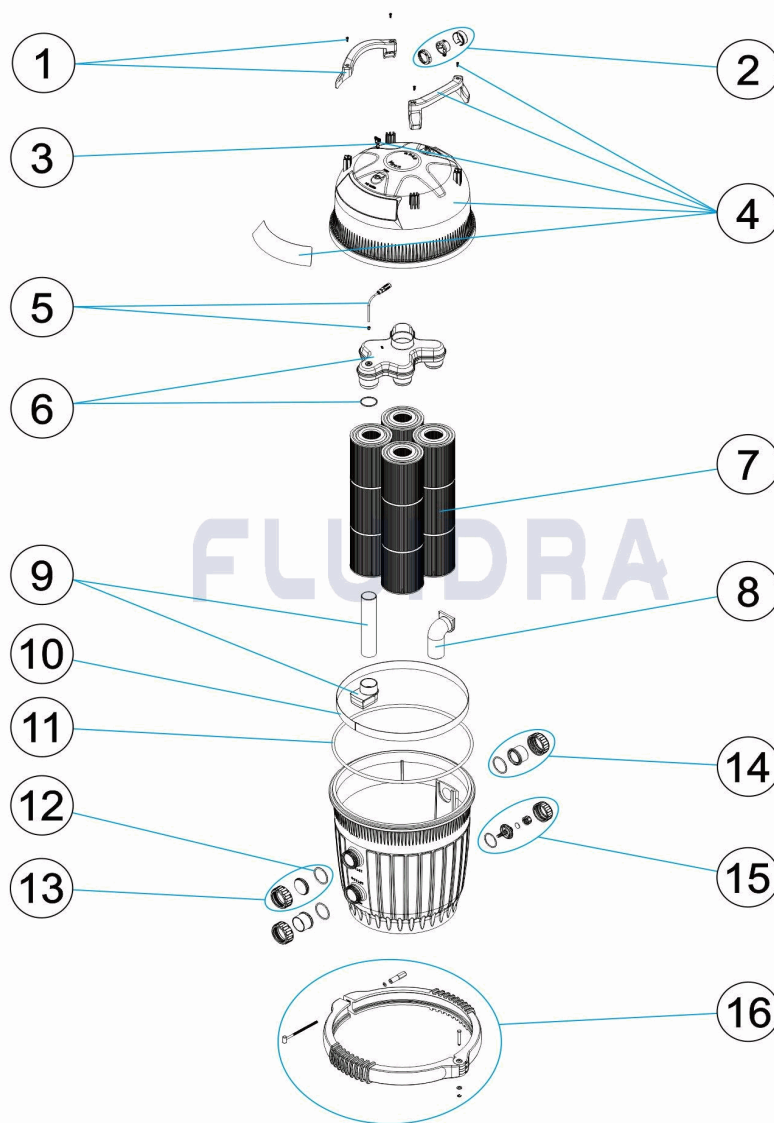
DESCRIPTION: **FILTRE CARTOUCHE VIRON QL420 & QL540**

OBSERVATIONS

POS	CODE	OBSERVATIONS
7	* 4404130041	POUR: 76340
7	* 4404130042	POUR: 76341

CODE 76340, 76341

DESCRIPTION: VIRON QL420 & QL540 FILTER CARTRIDGE



ENGLISH

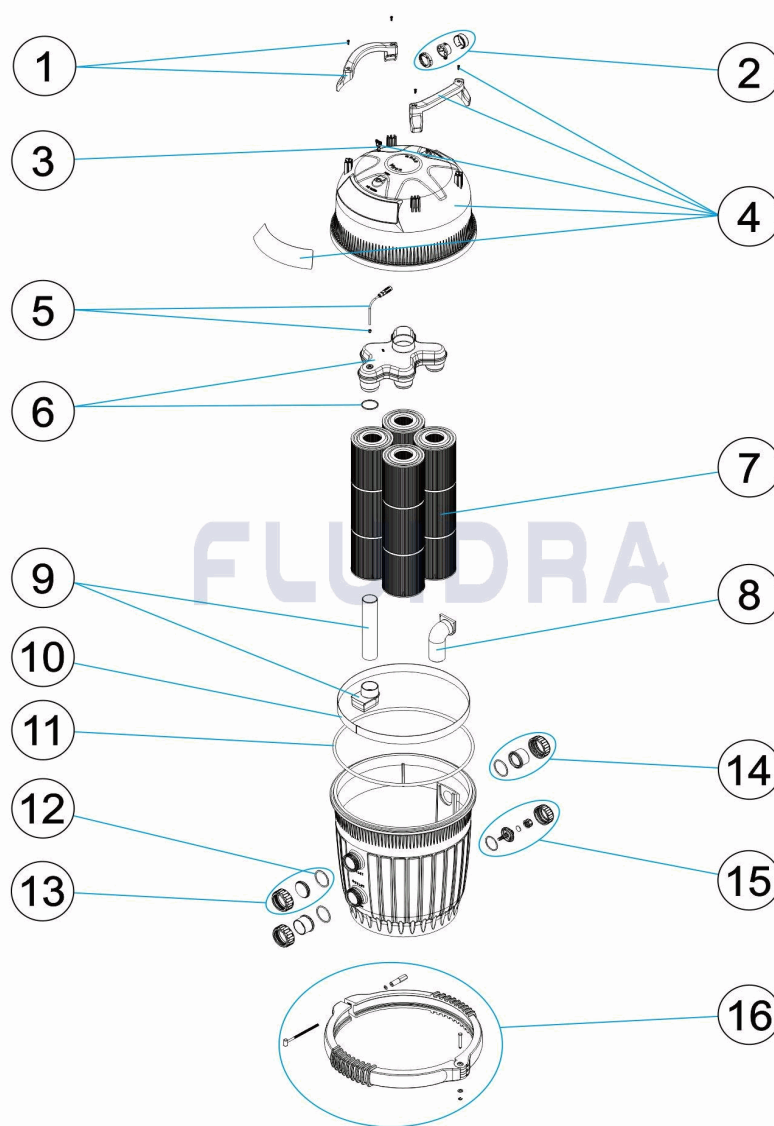
POS	CODE	DESCRIPTION	QUANTITY	POS	CODE	DESCRIPTION	QUANTITY
1	4404130026	HANDLE		9	4404130044	SUPPORT PIPE	
2	4404130036	COMPLETE PRESSURE GAUGE UNIT		10	4404130045	INNER RING	
3	4404130037	DRAIN PLUG AND GASKET		11	4404130046	BODY GASKET	
4	4404130038	TOP COVER		12	4405010459	UNION SEALS	
5	4404130039	AIR PURGE		13	4404130049	BLANKING CAP	
6	4404130040	SHAFT CARTRIDGE		14	4408060131	CONNECTION BAG D. 50 EU	
7	* 4404130041	QL420 CARTRIDGE FILTER		15	4404130050	DRAIN SET	
7	* 4404130042	QL540 CARTRIDGE FILTER		16	4404130048	SET BAND	
8	4404130043	90° BEND					

CODE **76340, 76341**DESCRIPTION: **VIRON QL420 & QL540 FILTER CARTRIDGE****OBSERVATIONS**

POS	CODE	OBSERVATIONS
7	* 4404130041	FOR: 76340
7	* 4404130042	FOR: 76341

CODICE 76340, 76341

DESCRIZIONE: FILTRO CARTUCCIA VIRON QL420 & QL540



ITALIANO

POS	CODICE	DESCRIZIONE	QUANTITA'	POS	CODICE	DESCRIZIONE	QUANTITA'
1	4404130026	MANIGLIA		9	4404130044	TUBO SOSTENGO	
2	4404130036	MANOMETRO COMPLETO		10	4404130045	ANELLO INTERNO	
3	4404130037	TAPPO SPURGO E GUARNIZIONE		11	4404130046	GUARNIZIONE CORPO	
4	4404130038	COPERCHIO SUPERIORE		12	4405010459	GUARNIZIONE PER RACCORDO	
5	4404130039	SFIATO ARIA		13	4404130049	TAPPO DI CHIUSURA	
6	4404130040	ASSE CARTUCCIA		14	4408060131	BORSA CONNESSIONE D. 50 EU	
7	* 4404130041	CARTUCCIA RICAMBIO PER FILTRO QL420		15	4404130050	KIT SCARICO	
7	* 4404130042	CARTUCCIA RICAMBIO PER FILTRO QL540		16	4404130048	GRUPPO FASCETTA	
8	4404130043	RACCORDO A GOMITO 90°					

CODICE 76340, 76341

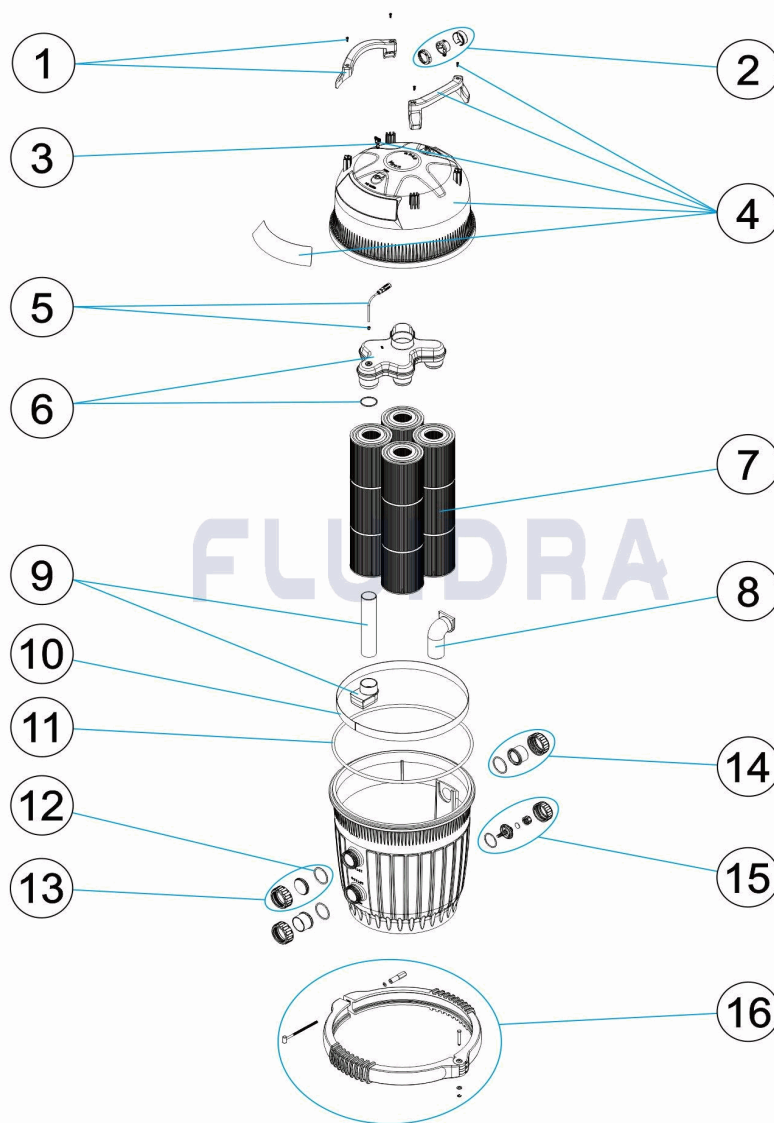
DESCRIZIONE: FILTRO CARTUCCIA VIRON QL420 & QL540

OSSERVAZIONI

POS	CODICE	OSSERVAZIONI
7	* 4404130041	PER: 76340
7	* 4404130042	PER: 76341

CODE 76340, 76341

BESCHREIBUNG: FITLER KARTUSCHE VIRON QL420 & QL540



DEUTSCH

POS	CODE	BESCHREIBUNG	MENGE	POS	CODE	BESCHREIBUNG	MENGE
1	4404130026	GRIFF		9	4404130044	HILFSROHR	
2	4404130036	MANOMETER KOMPLETT		10	4404130045	INNEN RING	
3	4404130037	ABLASSSTOPFEN UND DICHUNG		11	4404130046	DICHUNG GEHÄUSE	
4	4404130038	ABDECKUNG OBEN		12	4405010459	DICHUNG VERBINDUNG	
5	4404130039	ENTLÜFTUNG		13	4404130049	BLINDKAPPE	
6	4404130040	ACHSE KARTUSCHE		14	4408060131	PACK ANSCHLUSS D. 50 EU	
7	* 4404130041	KARTUSCHE FÜR QL420		15	4404130050	SET ABLASS	
7	* 4404130042	KARTUSCHE FÜR QL540		16	4404130048	SET EINSATZ	
8	4404130043	WINKEL 90°					

CODE **76340, 76341**

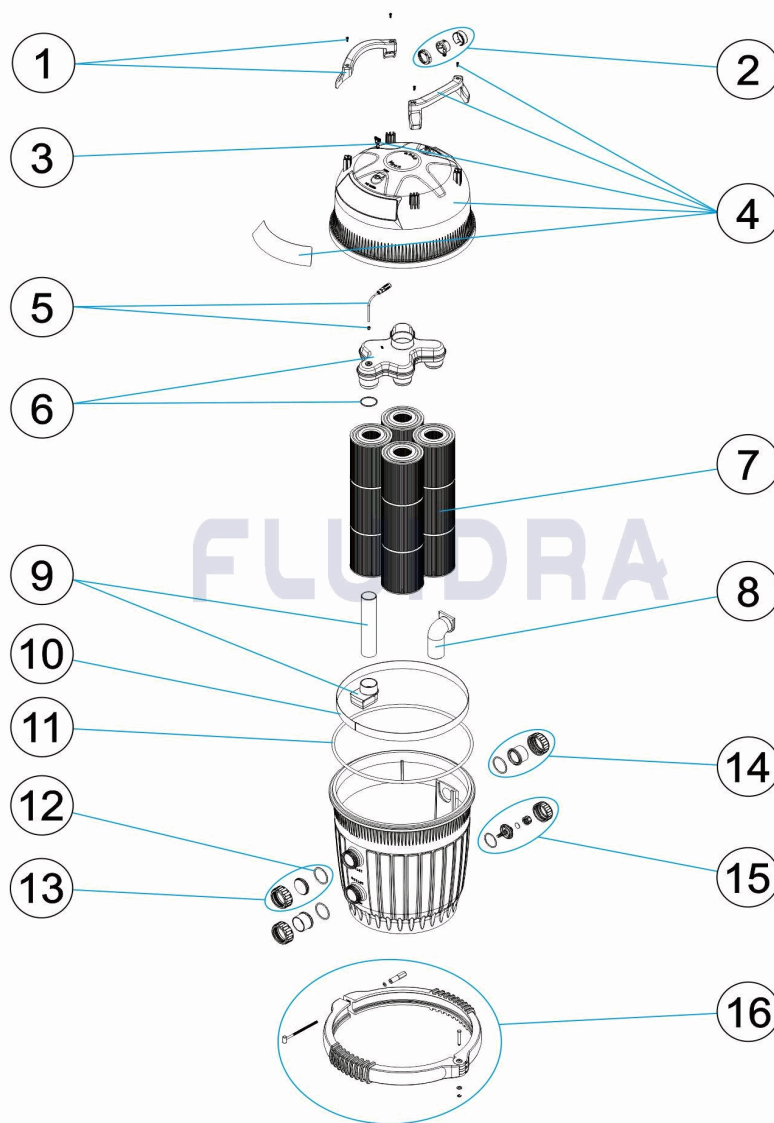
BESCHREIBUNG: **FITLER KARTUSCHE VIRON QL420 & QL540**

HINWEISE

POS	CODE	HINWEISE
7	* 4404130041	FÜR: 76340
7	* 4404130042	FÜR: 76341

CODIGO 76340, 76341

DESCRIÇÃO: FILTRO CARTUCHO QL420 & QL540



PORTUGUES

POS	CODIGO	DESCRIÇÃO	JANTIDADE	POS	CODIGO	DESCRIÇÃO	JANTIDADE
1	4404130026	ALSA		9	4404130044	TUBO DE APOIO	
2	4404130036	MANÓMETRO COMPLETO		10	4404130045	ANEL INTERNO	
3	4404130037	TAMPÃO PURGA E JUNTA		11	4404130046	JUNTA CORPO	
4	4404130038	TAMPA SUPERIOR		12	4405010459	JUNTAS LIGAÇÃO	
5	4404130039	PURGA AREIA		13	4404130049	TAMPA DE VEDAÇÃO	
6	4404130040	EIXO CARTUCHO		14	4408060131	EMBALAGEM LIGAÇÃO D. 50 EU	
7	* 4404130041	CARTUCHO FILTRO QL420		15	4404130050	CONJUNTO PURDA	
7	* 4404130042	CARTUCHO FILTRO QL540		16	4404130048	CONJ.ANEL	
8	4404130043	COTOVELO 90º					

CODIGO 76340, 76341

DESCRIÇÃO: FILTRO CARTUCHO QL420 & QL540

OBSERVAÇÕES

POS	CODIGO	OBSERVAÇÕES
7	* 4404130041	PARA: 76340
7	* 4404130042	PARA: 76341