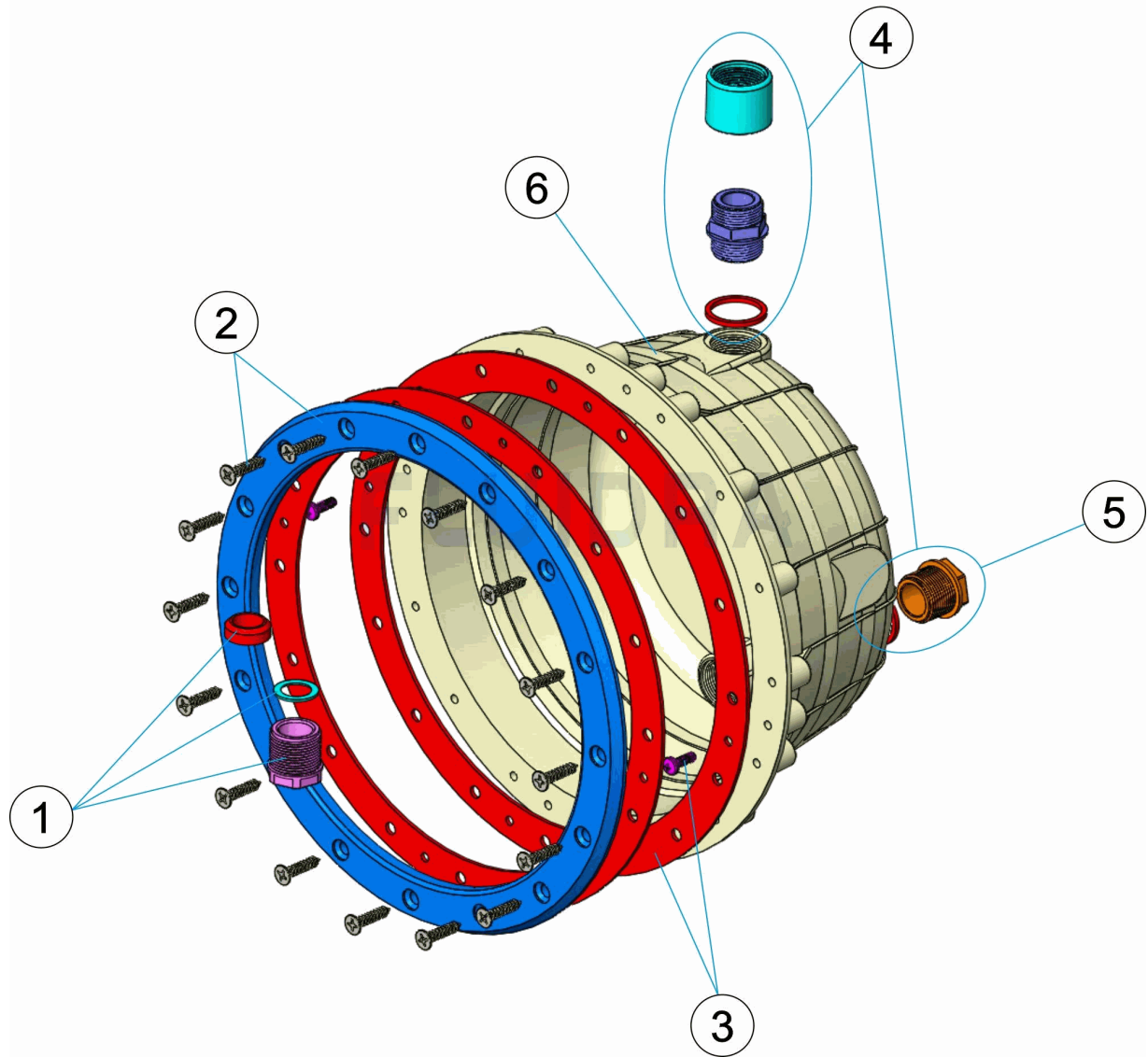


CODIGO **72261**

DESCRIPCION: **NICHO PROYECTOR STANDARD PISCINA PREFABRICADA**

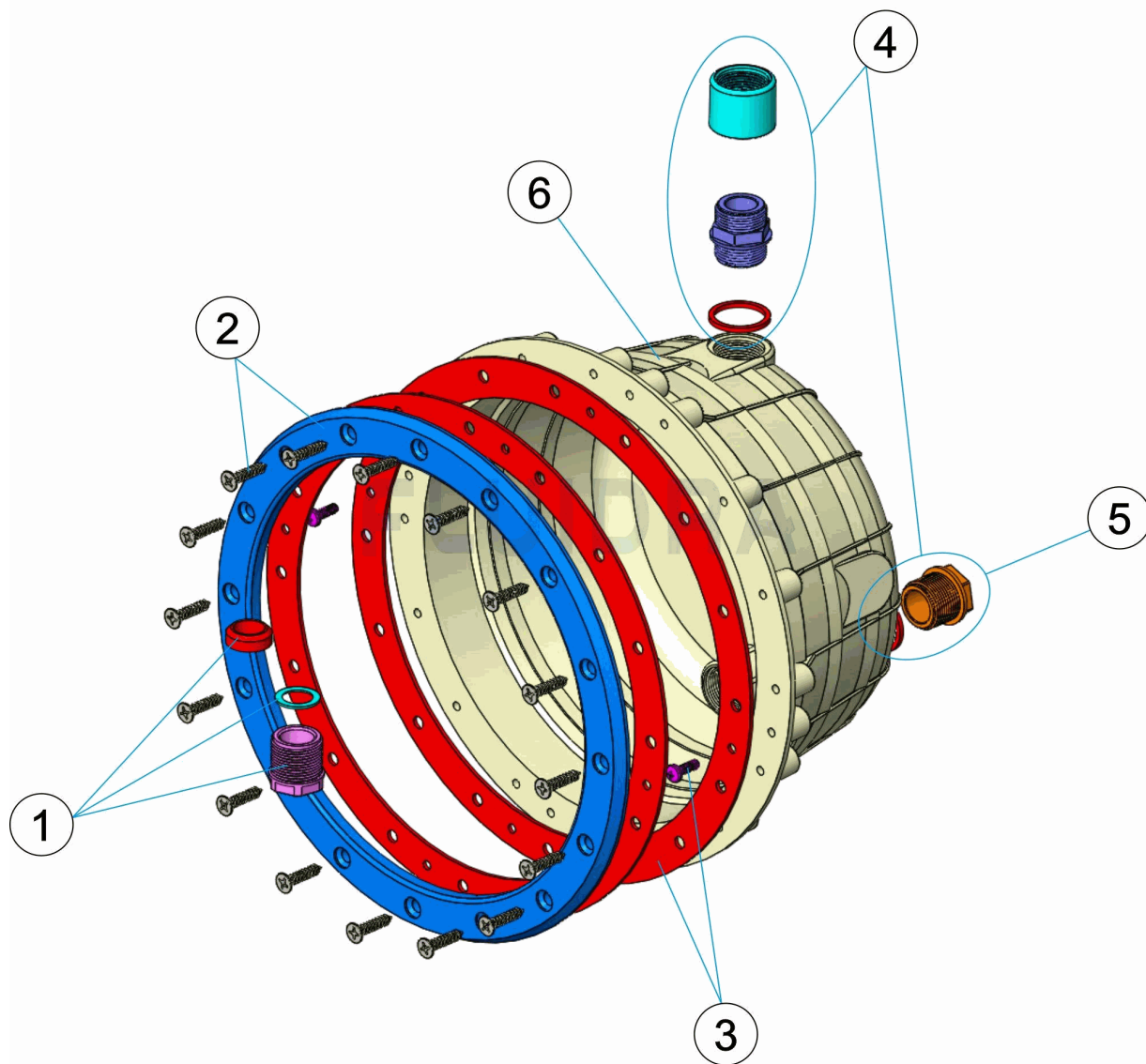


ESPAÑOL

POS	CODIGO	DESCRIPCION	CANTIDAD	POS	CODIGO	DESCRIPCION	CANTIDAD
1	4403010110	PRENSAESTOPAS M25 HALOGENO	4	4	4403010313	PRENSAESTOPAS CUERPO PROYECTOR I	
2	4403013506	BRIDA FIJACION PROYECTOR (PARKER)	5	5	4403010080	TAPON NICHO PROYECTOR	
3	4403013507	JUNTAADHESIVA PROYECTOR	6	6	07853R0001	NICHO PROYECTOR STD M-25 /PP	

CODE 72261

DESCRIPTION: NICHE PROJECTEUR STANDARD PISCINE PRÉFABRIQUÉE

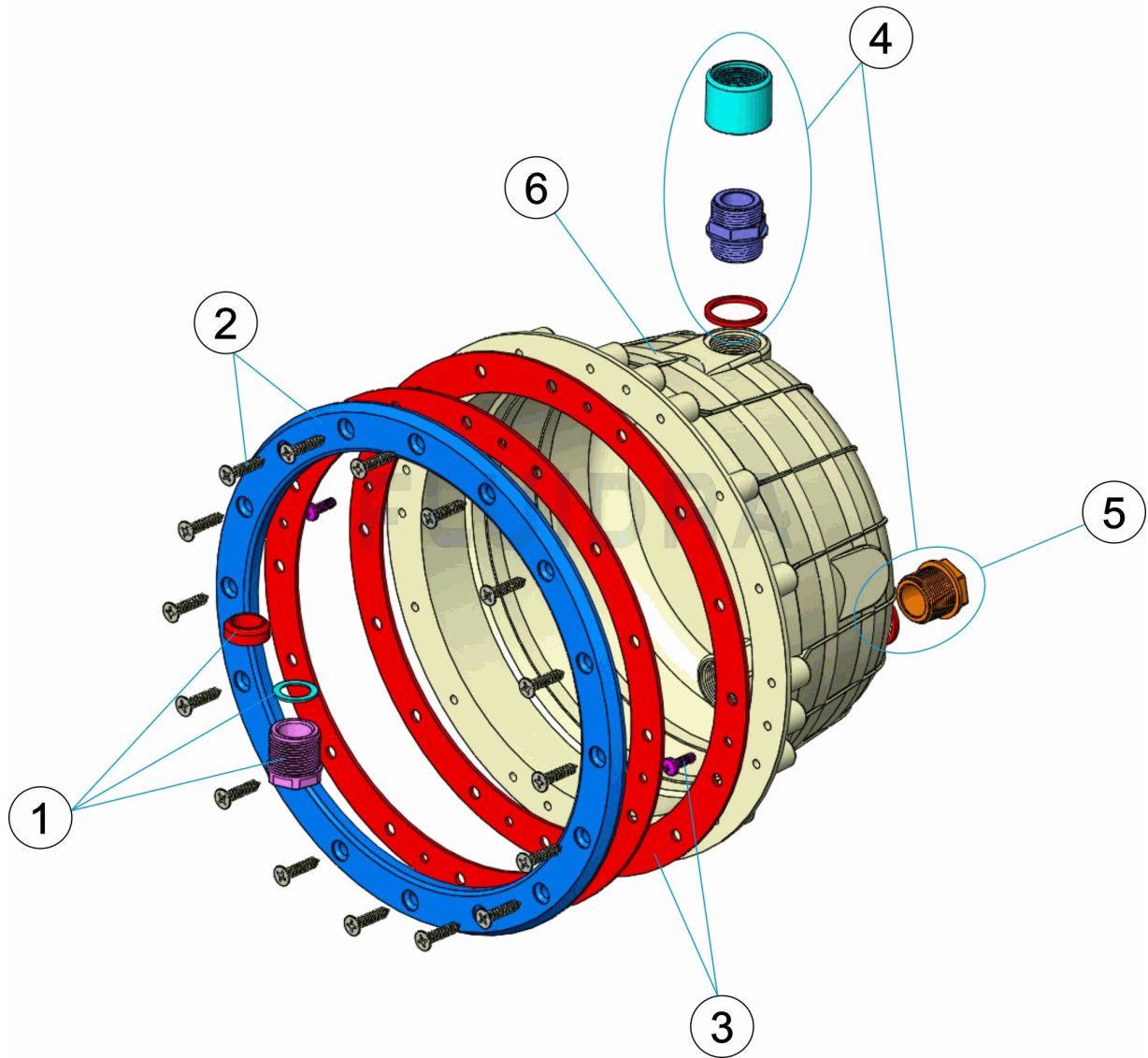


FRANCAIS

POS	CODE	DESCRIPTION	QUANTITE	POS	CODE	DESCRIPTION	QUANTITE
1	4403010110	PRESSE-ETOUPE M 25		4	4403010313	CORPS PRESSE ETOUPE M-25	
2	4403013506	BRIDE FIXATION PROJECTEUR (PARKER)		5	4403010080	BOUCHON	
3	4403013507	JOINT ADHESIF PROJECTEUR		6	07853R0001	NICHE PROJECTEUR STD M-25 /PP	

CODE 72261

DESCRIPTION: STANDARD LIGHT NICHE PREFABRICATED POOL

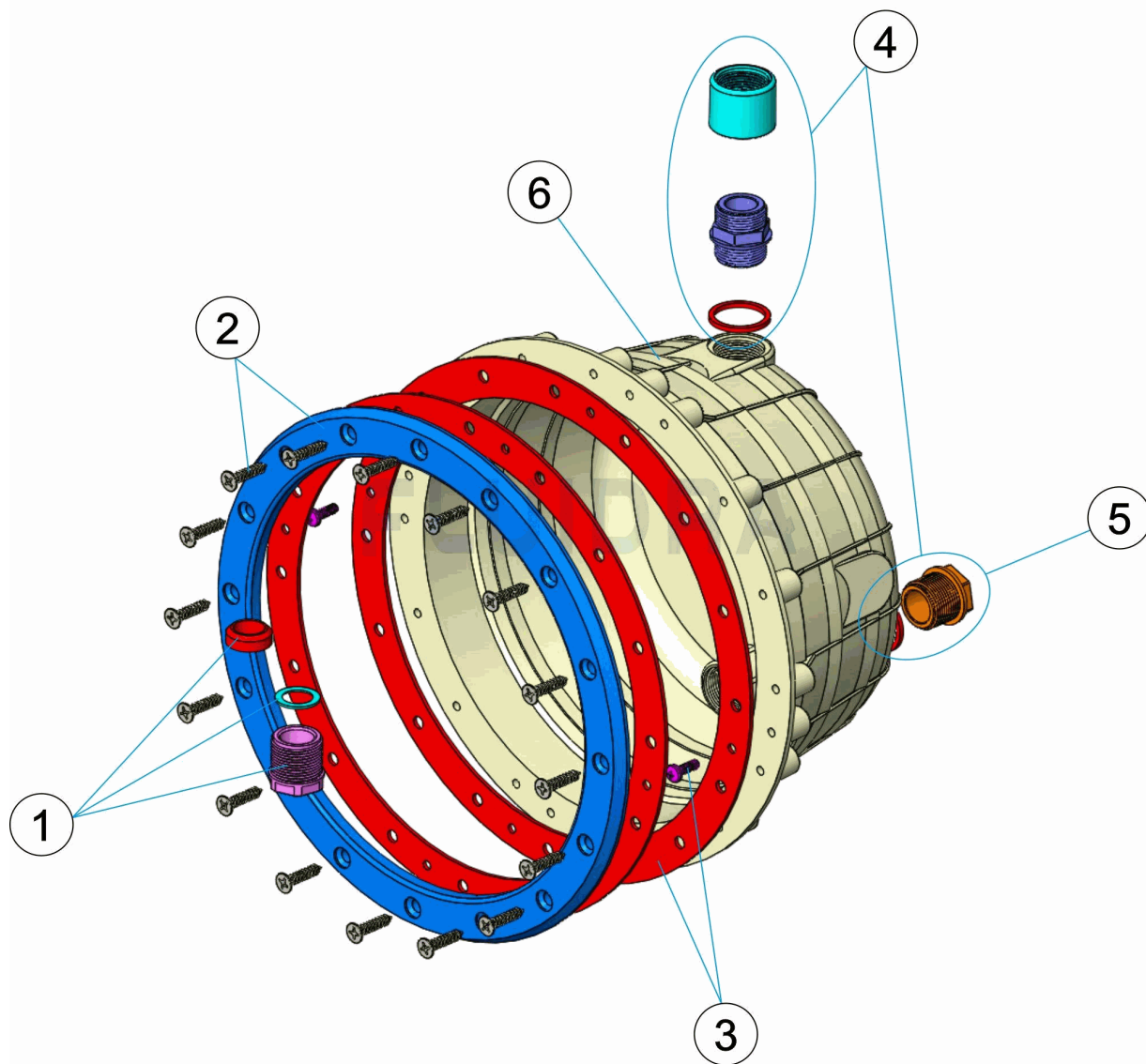


ENGLISH

POS	CODE	DESCRIPTION	QUANTITY	POS	CODE	DESCRIPTION	QUANTITY
1	4403010110	PACKING GLAND M 25		4	4403010313	BODY PACKING GLAND M-25	
2	4403013506	LIGHT FIXING FLANGE (PARKER)		5	4403010080	HANDRAIL PLUNG	
3	4403013507	LIGHT ADHESIVE GASKET		6	07853R0001	FLOODLAMP HOUSING STD M-25 /PP	

CODICE **72261**

DESCRIZIONE: **NICCHIA PROIETTORE STANDARD PISCINA PREFABBRICATA**

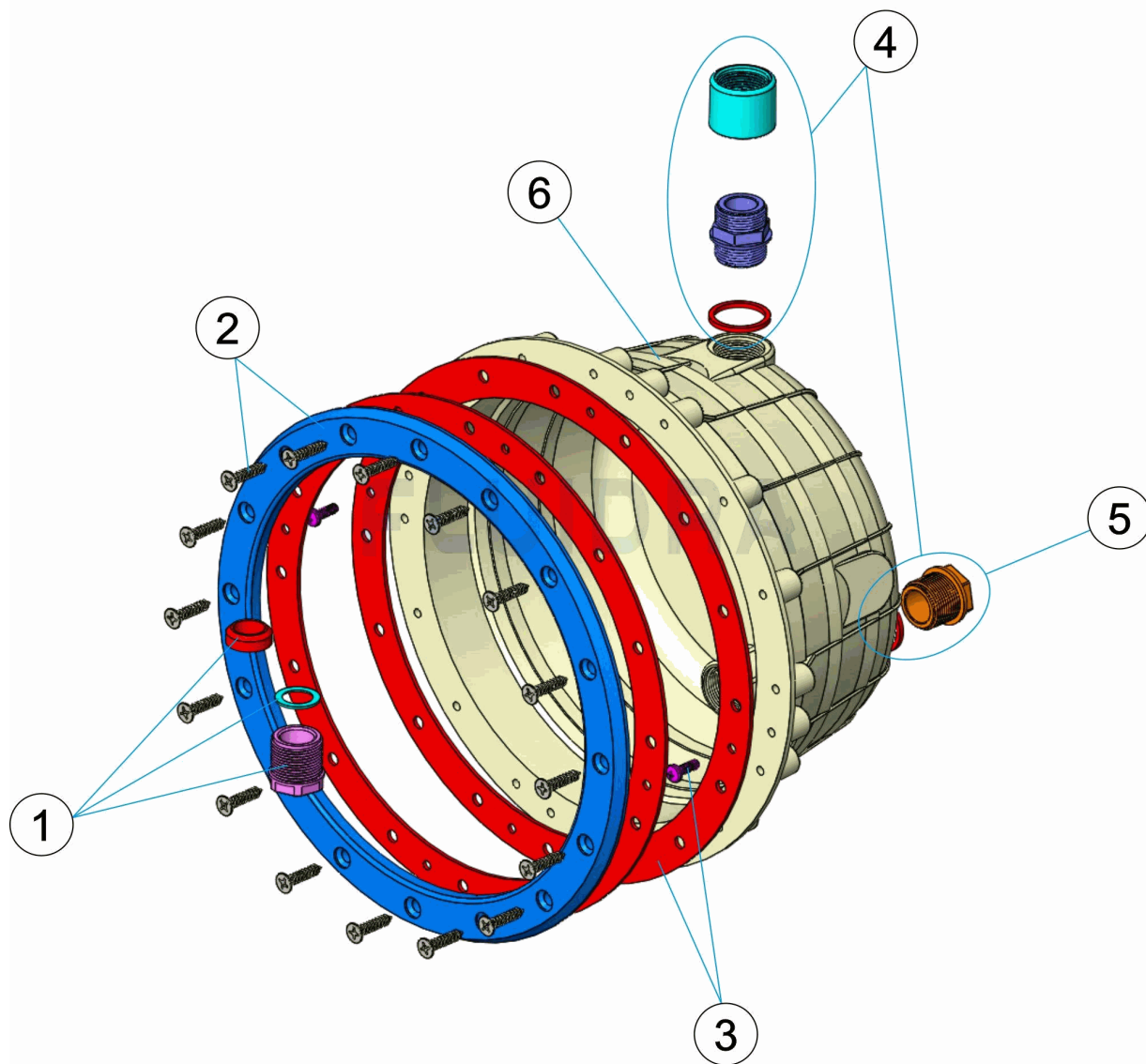


ITALIANO

POS	CODICE	DESCRIZIONE	QUANTITA'	POS	CODICE	DESCRIZIONE	QUANTITA'
1	4403010110	PRESSACAVI M 25		4	4403010313	PRESSACAVI CORPO M-25	
2	4403013506	FLANGIA FISSAGGIO FARO (PARKER)		5	4403010080	TAPPO	
3	4403013507	GUARNIZIONE ADESIVA FARO		6	07853R0001	NICCHIA PROIETTORE STD M-25 /PP	

CODE 72261

BESCHREIBUNG: EINBAUTOPF UWS STANDARD FERTIGBECKEN

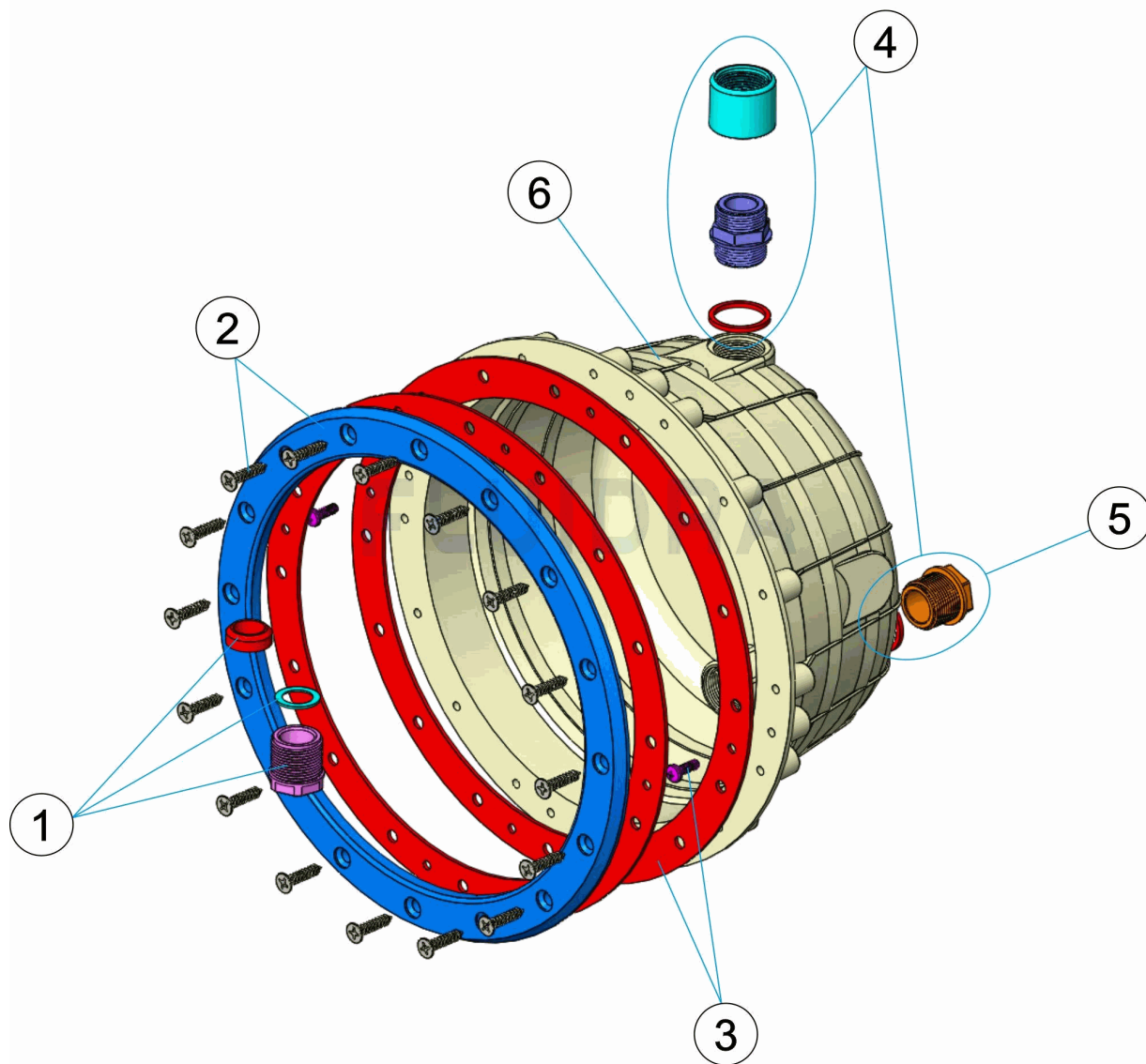


DEUTSCH

POS	CODE	BESCHREIBUNG	MENGE	POS	CODE	BESCHREIBUNG	MENGE
1	4403010110	QUETSCHVERSCHRAUBUNG M25 HALOGI	4	4403010313	QUETSCHVERSCHRAUBUNG GEHÄUSE UV		
2	4403013506	BEFESTIGUNGSFLANSCH UWS (PARKER)	5	4403010080	STOPFEN EINBAUTOPF UWS		
3	4403013507	DICHTUNG SELBSTKLEBEND UWS	6	07853R0001	EINBAUTOPF UWS STDM M-25 /PP		

CODIGO 72261

DESCRIÇÃO: NICHOS PROJECTOR STANDARD PISCINA PRÉ-FABRICADA



PORTUGUES

POS	CODIGO	DESCRIÇÃO	JANTIDADE	POS	CODIGO	DESCRIÇÃO	JANTIDADE
1	4403010110	BUCIN M-25		4	4403010313	BUCIN CORPO M-25	
2	4403013506	FLANGE FIXAÇÃO PROJECTOR (PARKER)		5	4403010080	TAMPAO	
3	4403013507	JUNTA ADESIVA PROJECTOR		6	07853R0001	NICHOS PROJECTOR STD M-25 /PP	