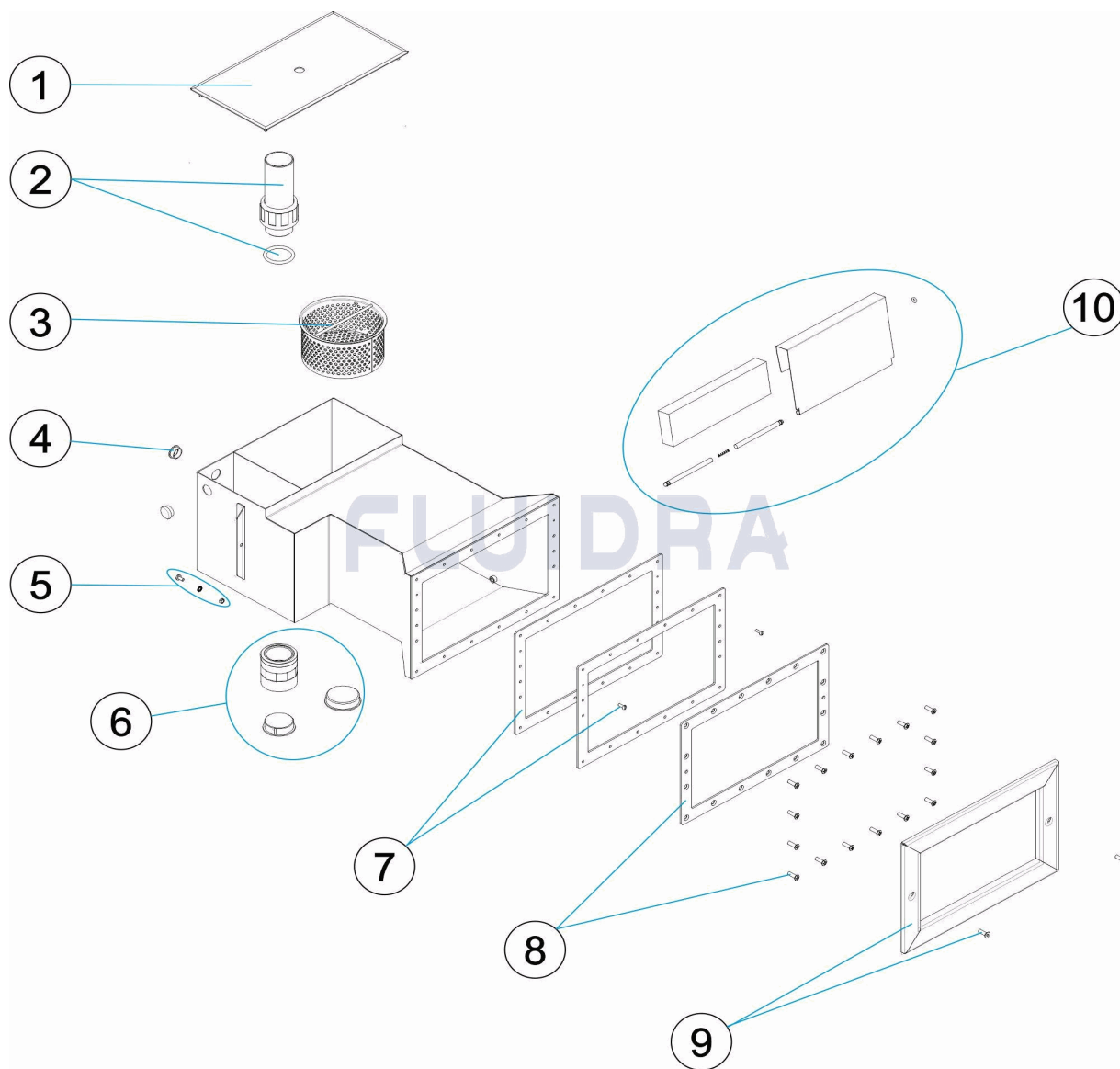


CODIGO **V-277/06**

DESCRIPCION: **SKIMMER L-510**

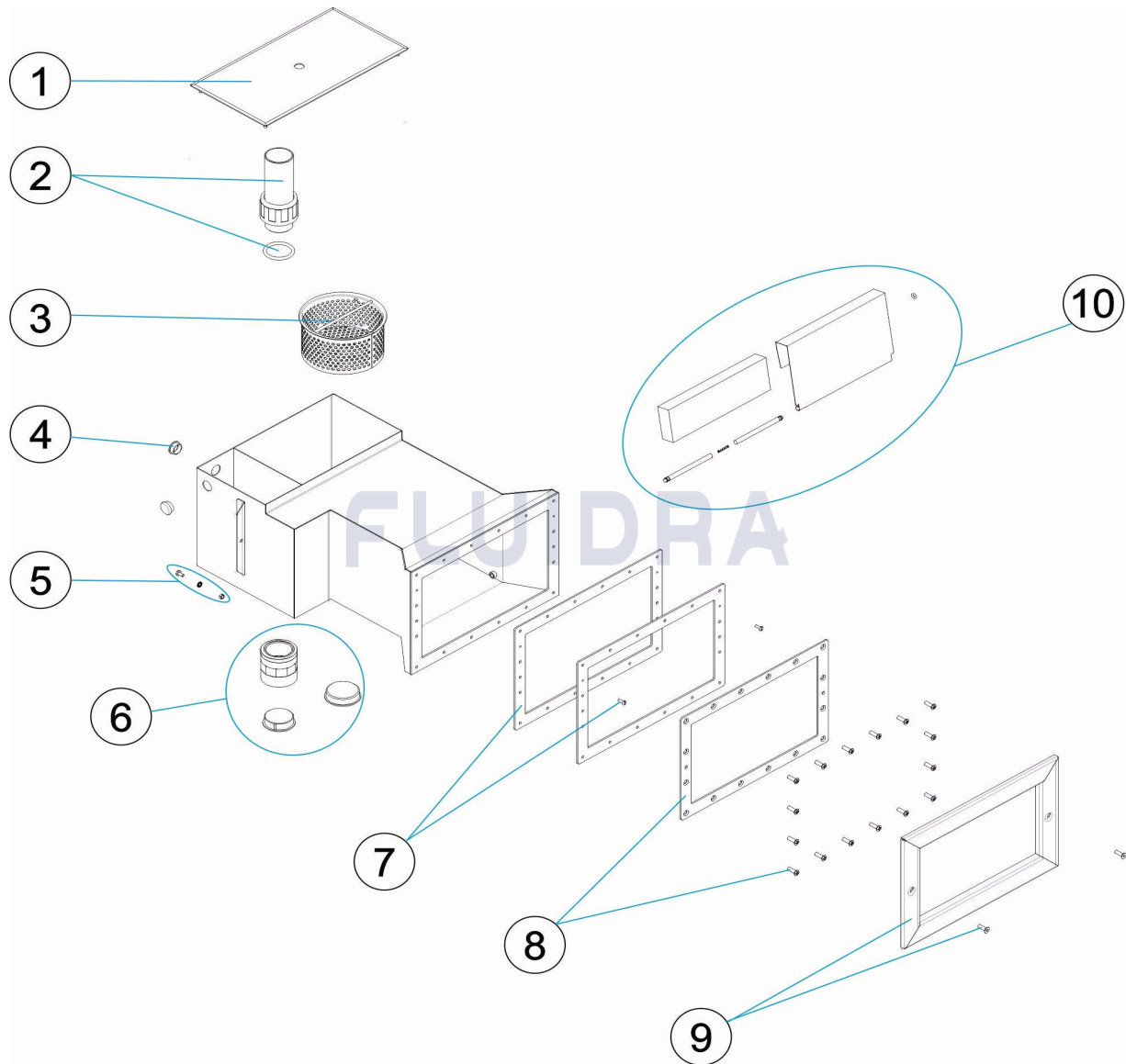


ESPAÑOL

POS	CODIGO	DESCRIPCION	CANTIDAD	POS	CODIGO	DESCRIPCION	CANTIDAD
1	4402011404	TAPA SKIMMER INOX.		6	4402010051	CJTO. MANGUITO	
2	4402011402	REBOSADERO SKIMMER INOX.		7	4402010172	JUNTA SKIMMER	
3	4402011403	CESTO RECOGEHOJAS		8	4402010171	BRIDA BOCA SKIMMER	
4	4402010188	TAPON SKIMMER		9	4402010189	EMBELECEDOR SKIMMER	
5	4402010056	TOMA TIERRA		10	4402010190	CJTO. COMPUERTA SKIMMER	

CODE V-277/06

DESCRIPTION: SKIMMER L-510

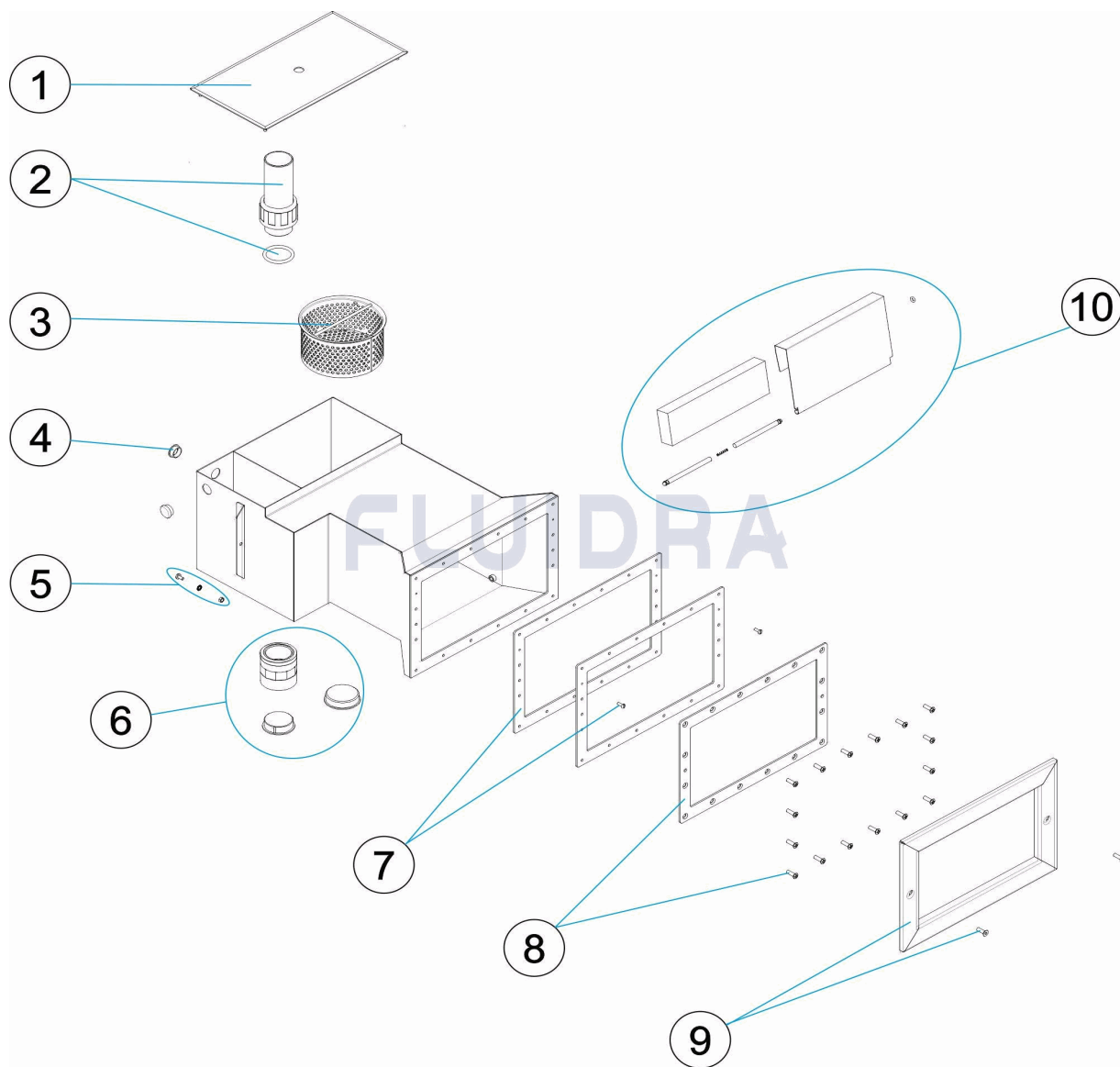


FRANCAIS

POS	CODE	DESCRIPTION	QUANTITE	POS	CODE	DESCRIPTION	QUANTITE
1	4402011404	COUVERCLE DE SKIMMER INOX		6	4402010051	ENS. FLEXIBLE	
2	4402011402	TROP PLEIN SKIMMER INOX		7	4402010172	JOINT SKIMMER	
3	4402011403	PANIER DE SKIMMER INOX		8	4402010171	BRIDE DE BOUCHE SKIMMER	
4	4402010188	BOUCHON SKIMMER		9	4402010189	ENJOLIVEUR SKIMMER	
5	4402010056	PRISE DE TERRE		10	4402010190	COLET DE SKIMMER	

CODE **V-277/06**

DESCRIPTION: **SKIMMER L-510**

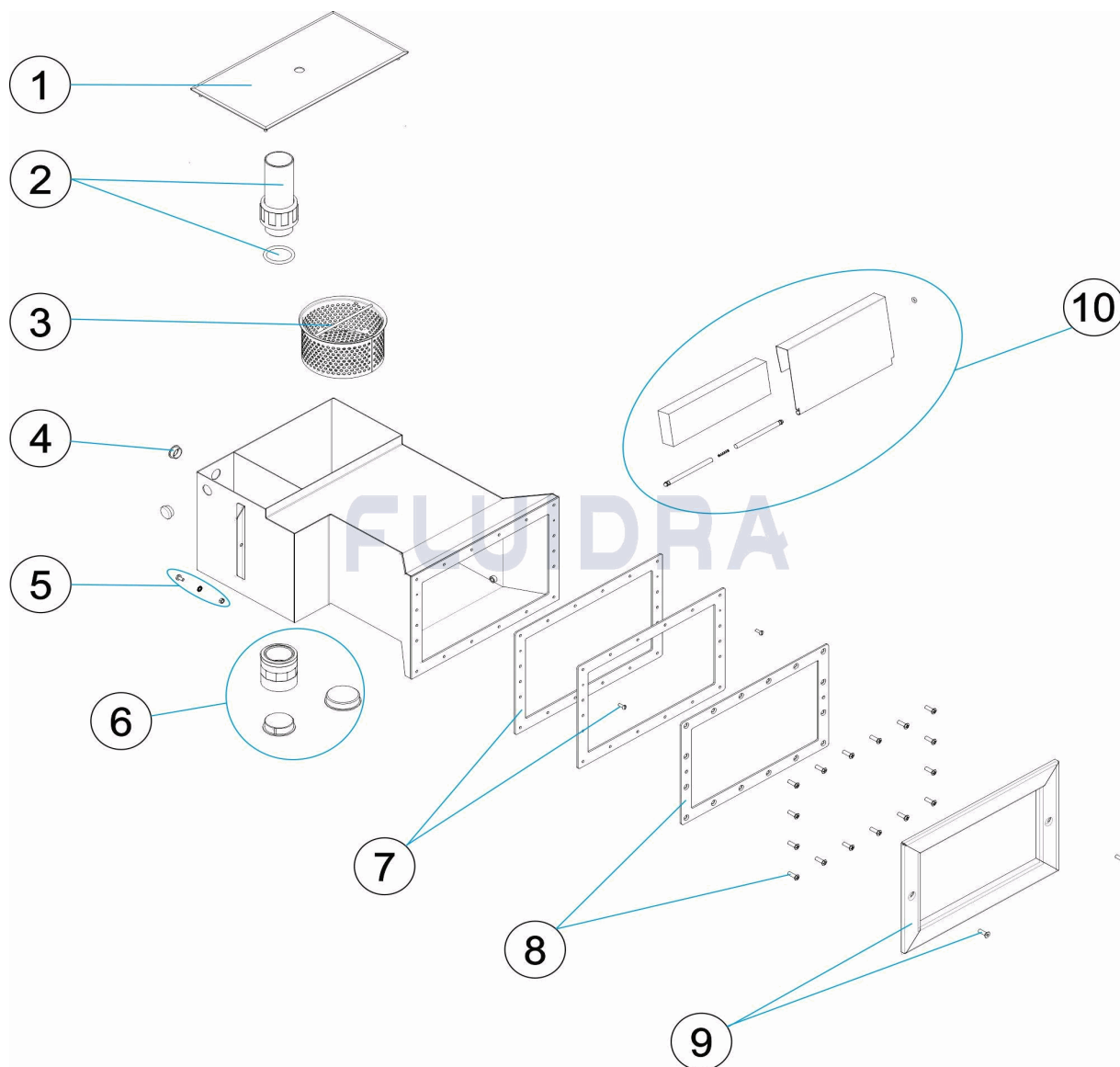


ENGLISH

POS	CODE	DESCRIPTION	QUANTITY	POS	CODE	DESCRIPTION	QUANTITY
1	4402011404	S. S. SKIMMER COVER		6	4402010051	HOSE ASSEMBLY	
2	4402011402	S. S. SKIMMER OVERFLOW		7	4402010172	SKIMMER GASKETS	
3	4402011403	LEAF RETAINER BASKET		8	4402010171	FLANGE MOUTH WITH SKIMMER	
4	4402010188	SKIMMER PLUG		9	4402010189	SKIMMER FACEPLATE	
5	4402010056	EARTH CONNECTION		10	4402010190	SKIMMER FLAP	

CODICE **V-277/06**

DESCRIZIONE: **SKIMMER L-510**

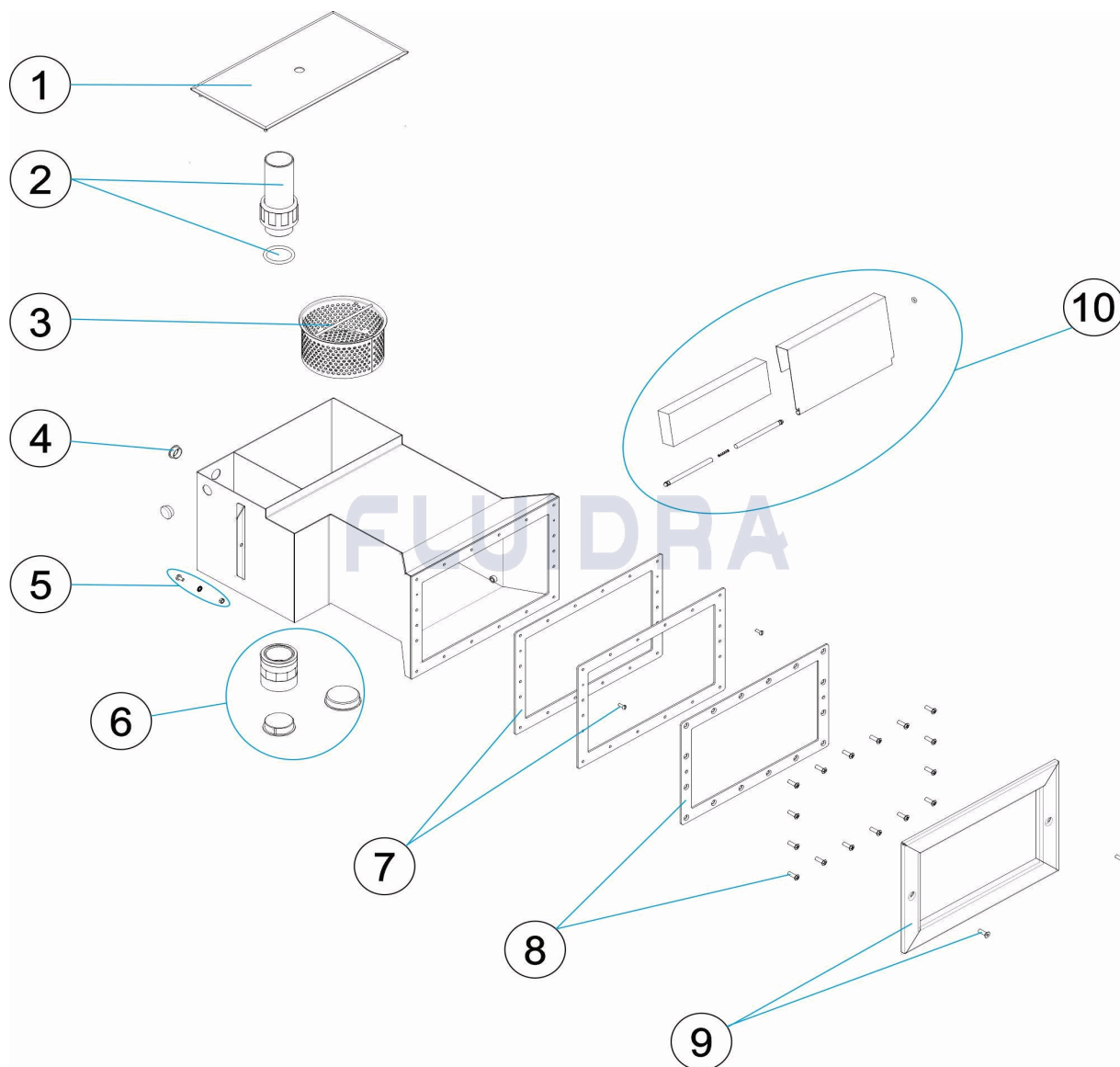


ITALIANO

POS	CODICE	DESCRIZIONE	QUANTITA'	POS	CODICE	DESCRIZIONE	QUANTITA'
1	4402011404	COPERCHIO SKIMMER INOX		6	4402010051	SET MANICOTTO	
2	4402011402	TROPPO PIENO SKIMMER INOX		7	4402010172	GUARNIZIONE PER SKIMMER	
3	4402011403	CESTO RACCOGLIFOGLIE		8	4402010171	FLANGIA BOCCHETTASKIMMER	
4	4402010188	COPERCHIO SKIMMER		9	4402010189	ANELLO FRONTALE SKIMMER	
5	4402010056	PRESA A TERRA		10	4402010190	BATTENTE SKIMMER	

CODE **V-277/06**

BESCHREIBUNG: **SKIMMER L-510**

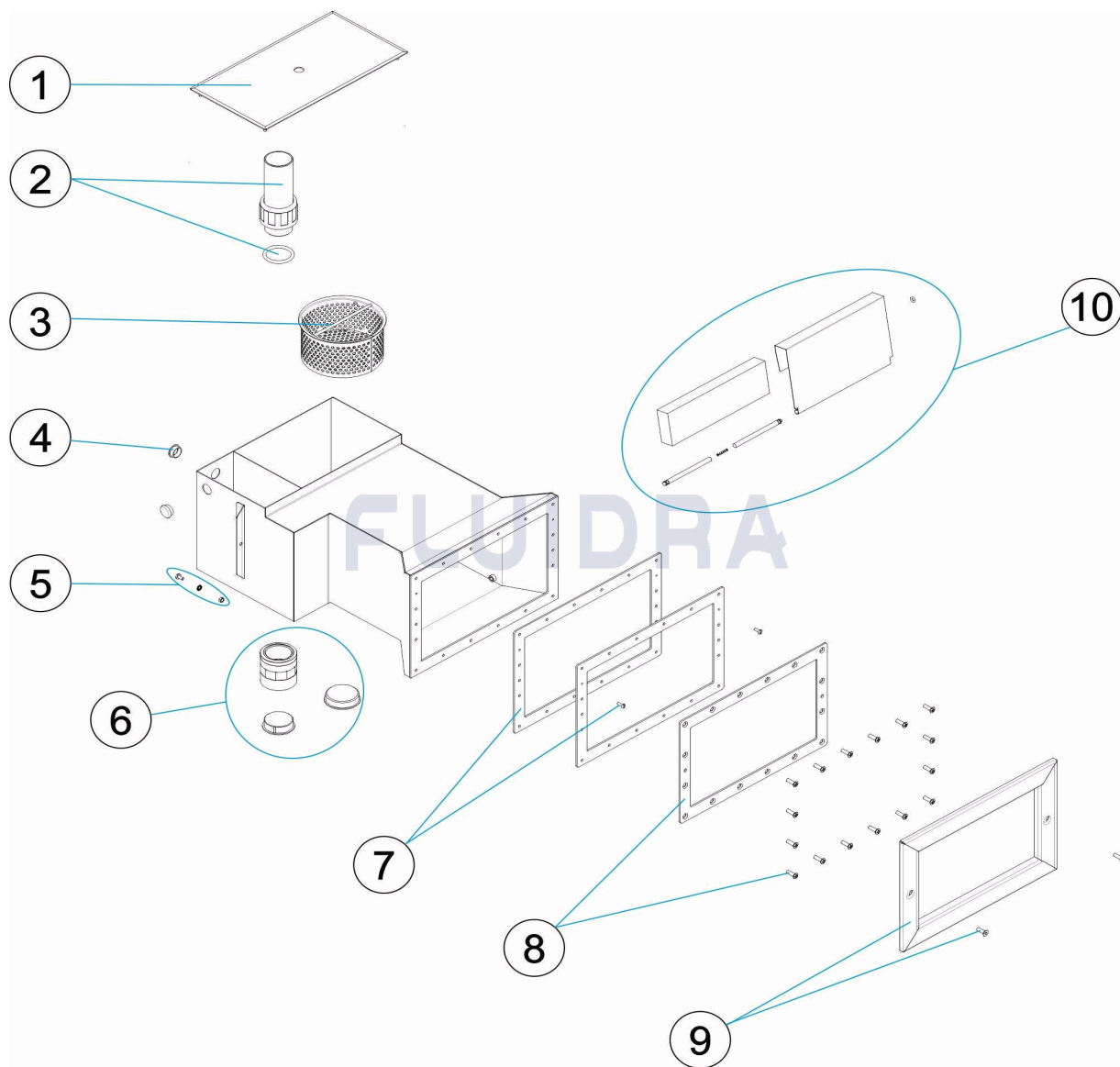


DEUTSCH

POS	CODE	BESCHREIBUNG	MENGE	POS	CODE	BESCHREIBUNG	MENGE
1	4402011404	SKIMMERABDECKUNG EDELSTAHL	6	4402010051	SET NIPPEL		
2	4402011402	AUFSATZ SKIMMER EDELSTAHL	7	4402010172	DICHTUNG SKIMMER		
3	4402011403	BLATTFÄNGERKORB	8	4402010171	FLANSCH SKIMMEREINLASS		
4	4402010188	STOPFEN SKIMMER	9	4402010189	BLENDE SKIMMER		
5	4402010056	ERDUNG	10	4402010190	SET SKIMMERKLAPPE		

CODIGO **V-277/06**

DESCRIÇÃO: **SKIMMER L-510**



PORTUGUES

POS	CODIGO	DESCRIÇÃO	JANTIDADE	POS	CODIGO	DESCRIÇÃO	JANTIDADE
1	4402011404	TAMPA SKIMMER INOX		6	4402010051	CJTO. MANGA	
2	4402011402	CALEIRA SKIMMER INOX		7	4402010172	JUNTA DE SKIMMER	
3	4402011403	CESTO APANHA FOLHAS		8	4402010171	FLANGE BOCA SKIMMER	
4	4402010188	TAMPÃO SKIMMER		9	4402010189	EMBELEZADOR SKIMMER	
5	4402010056	LIGAÇÃO A TERRA		10	4402010190	COMPORTA SKIMMER	