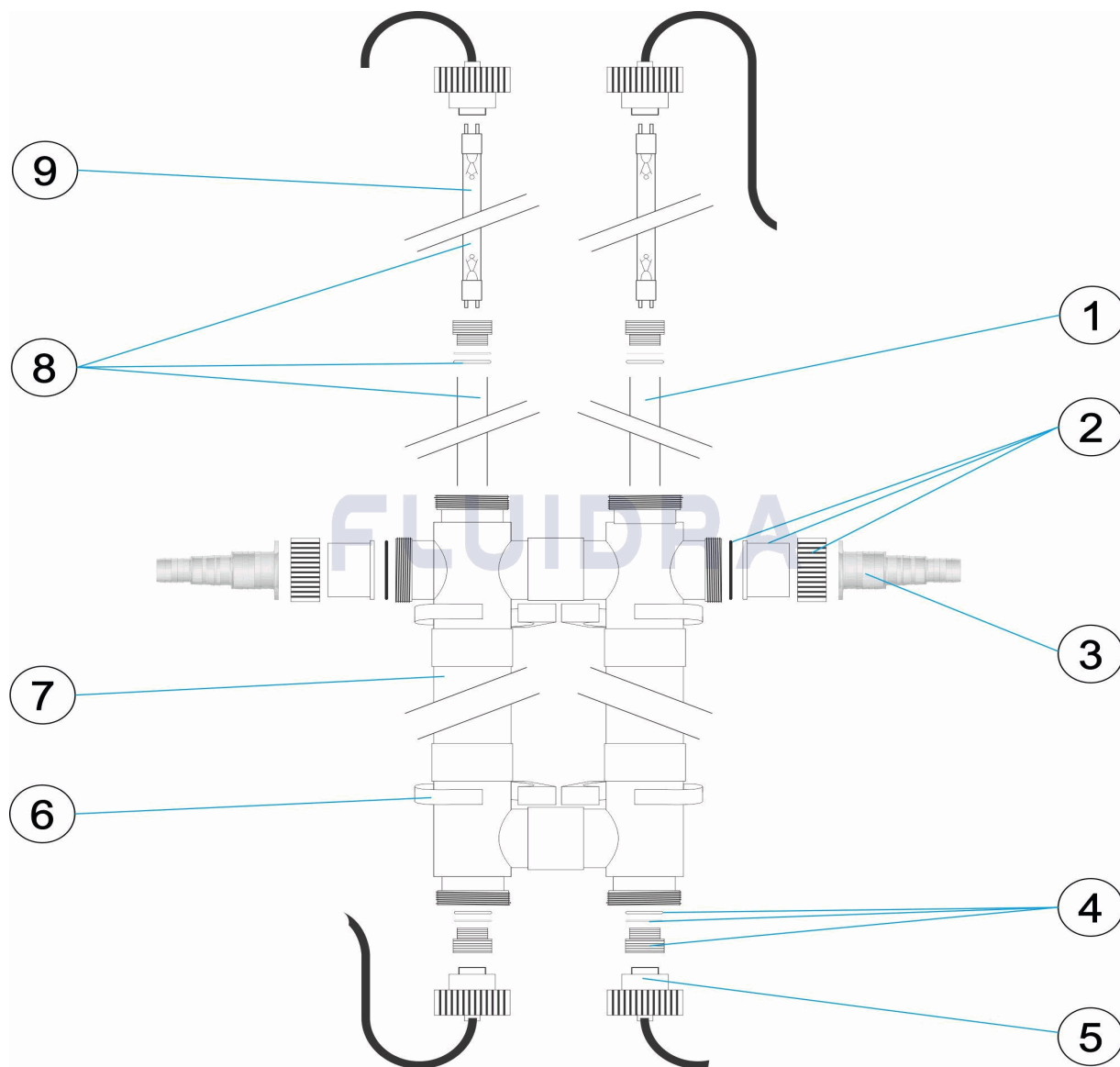


CODIGO **71429**

DESCRIPCION: **ASTRAL TL 110 W**

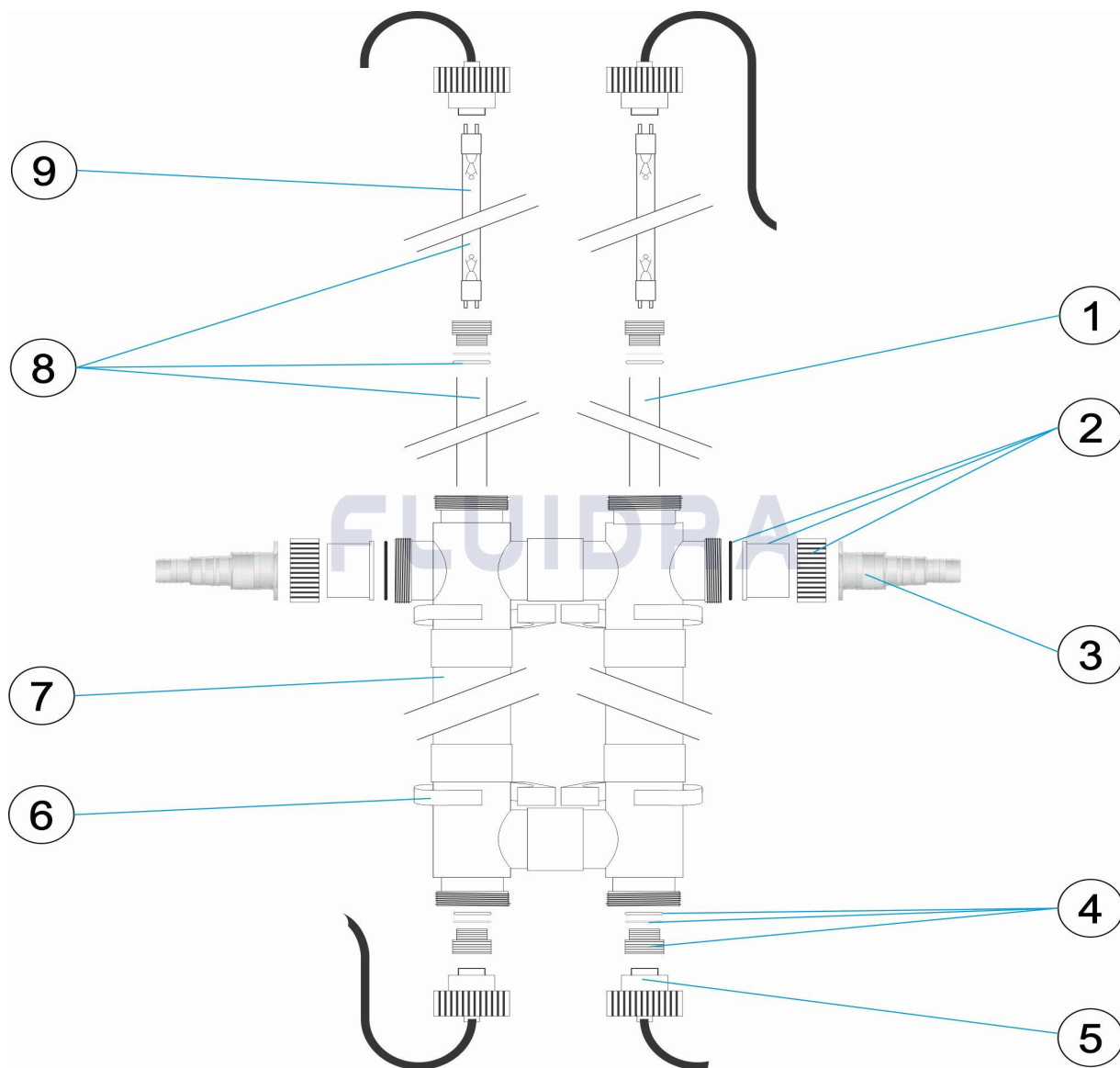


**ESPAÑOL**

POS	CODIGO	DESCRIPCION	CANTIDAD	POS	CODIGO	DESCRIPCION	CANTIDAD
1	4408070099	VAINA TUBO DE CUARZO 871 X 300 MM		6	4408070165	GRIP DE INSTALACIÓN	
2	4408070109	CONEXION 3 VIAS		7	4408070168	CUBIERTA 110 WATT	
3	4408070162	ADAPTADOR MANGUERA		8	72453	KIT LAMPARA 55W	
4	4408070164	TUERCA		9	71403	LAMPARA VGE TL 55W T8	
5	4408070167	BALASTRO ELECT. 110W					

CODE 71429

DESCRIPTION: ASTRAL TL 110 W

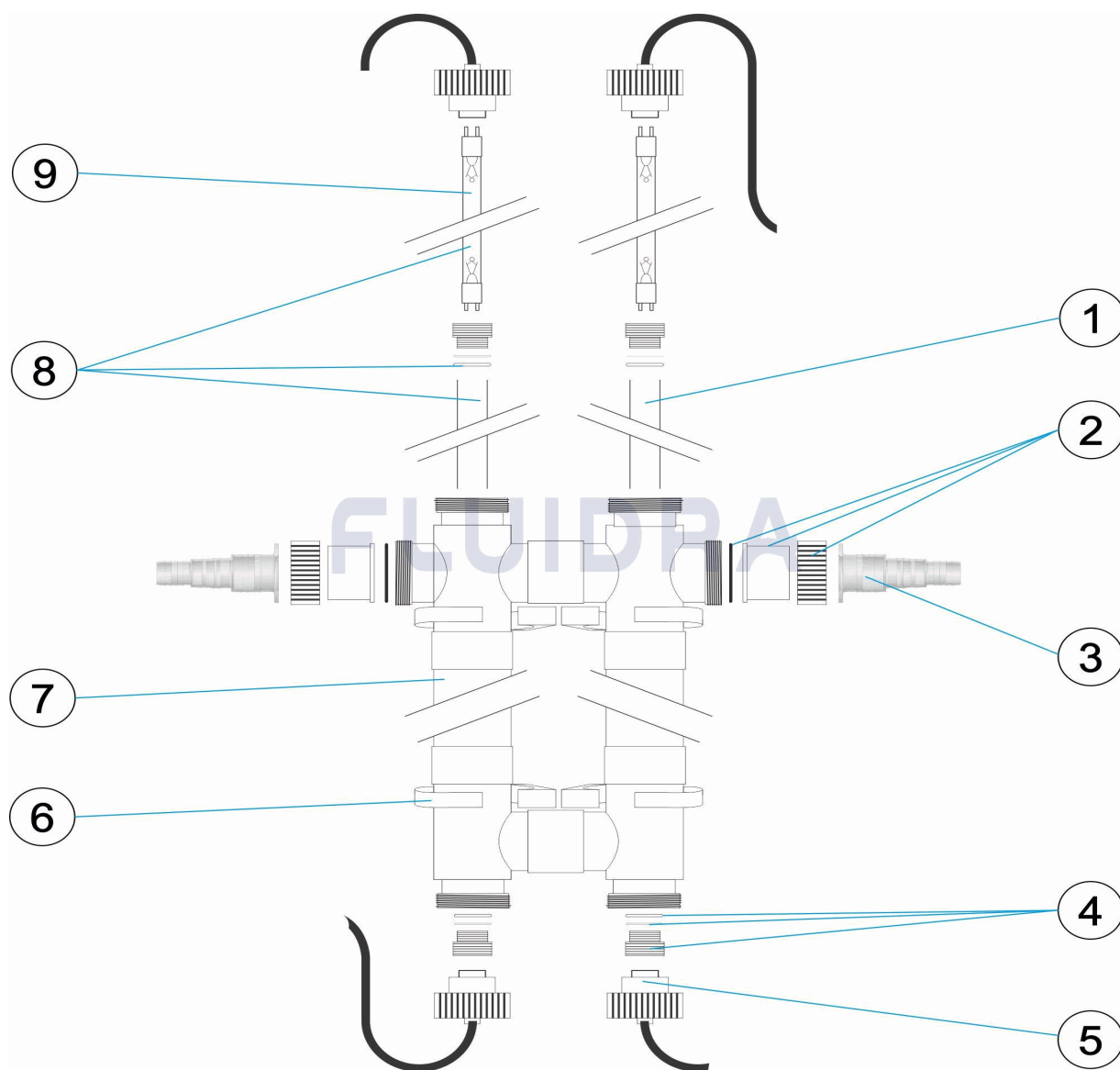


**FRANCAIS**

POS	CODE	DESCRIPTION	QUANTITE	POS	CODE	DESCRIPTION	QUANTITE
1	4408070099	GAINÉ TUBE DE QUARTZ 871 X 300 MM		6	4408070165	POIGNEE DE MONTAGE	
2	4408070109	CONNEXION À 3 VOIES		7	4408070168	CUVELAGE 110 WATT	
3	4408070162	ADAPTATEUR TUYAU		8	72453	KIT LAMPE 55W	
4	4408070164	ÉCROU		9	71403	LAMPE VGE TL 55W T8	
5	4408070167	BALLAST ELECT. 110W					

CODE 71429

DESCRIPTION: ASTRAL TL 110 W

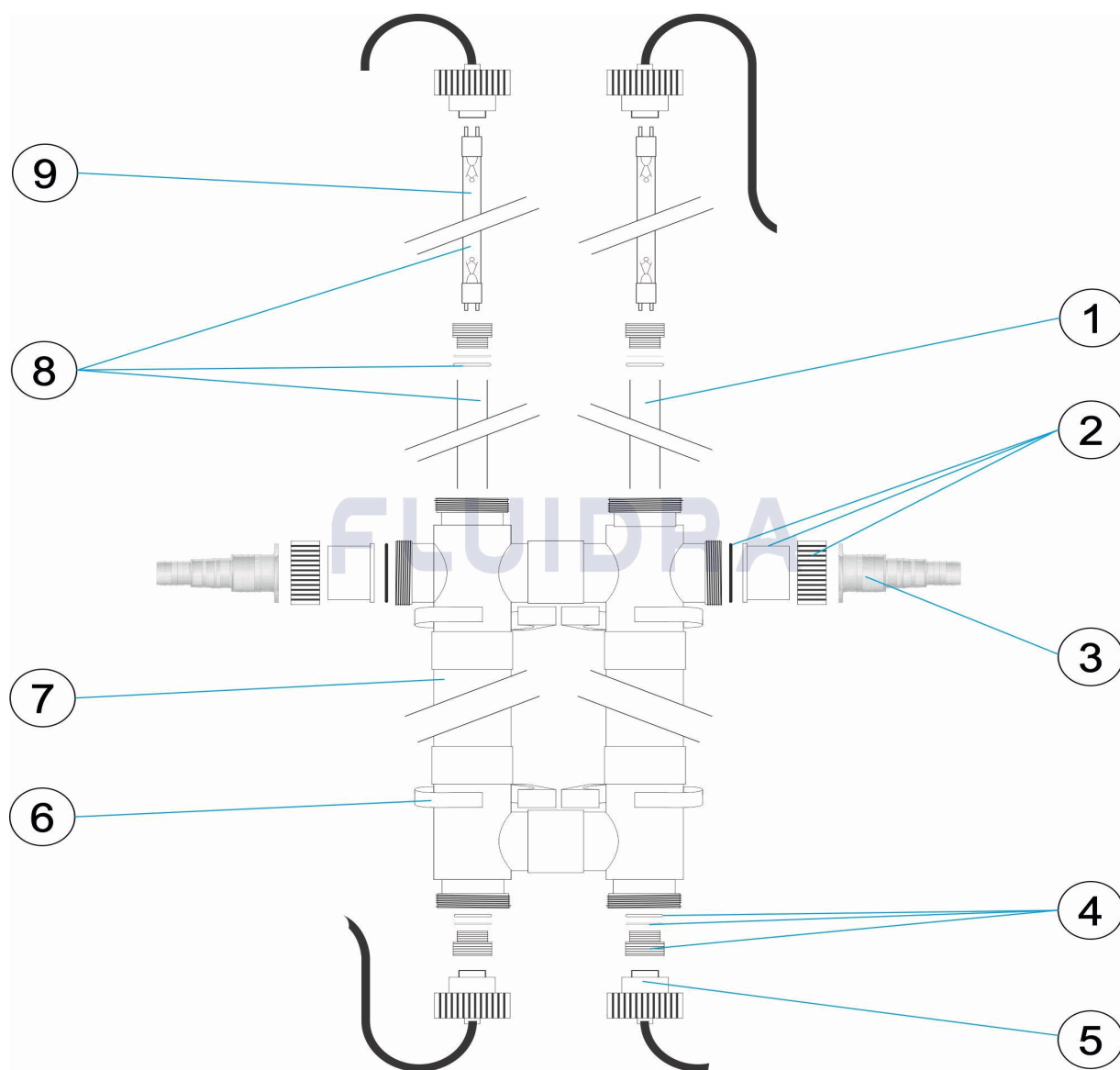


**ENGLISH**

POS	CODE	DESCRIPTION	QUANTITY	POS	CODE	DESCRIPTION	QUANTITY
1	4408070099	QUARTZ TUBE CASE 871 X 300 MM		6	4408070165	INSTALLATION GRIP	
2	4408070109	3-WAY CONNECTION		7	4408070168	HOUSING 110 WATT	
3	4408070162	HOSE ADAPTER		8	72453	55W LAMP KIT	
4	4408070164	NUT		9	71403	VGE TL 55W T8 LAMP	
5	4408070167	ELECT. BALLAST 110W					

CODICE **71429**

DESCRIZIONE: **ASTRAL TL 110 W**

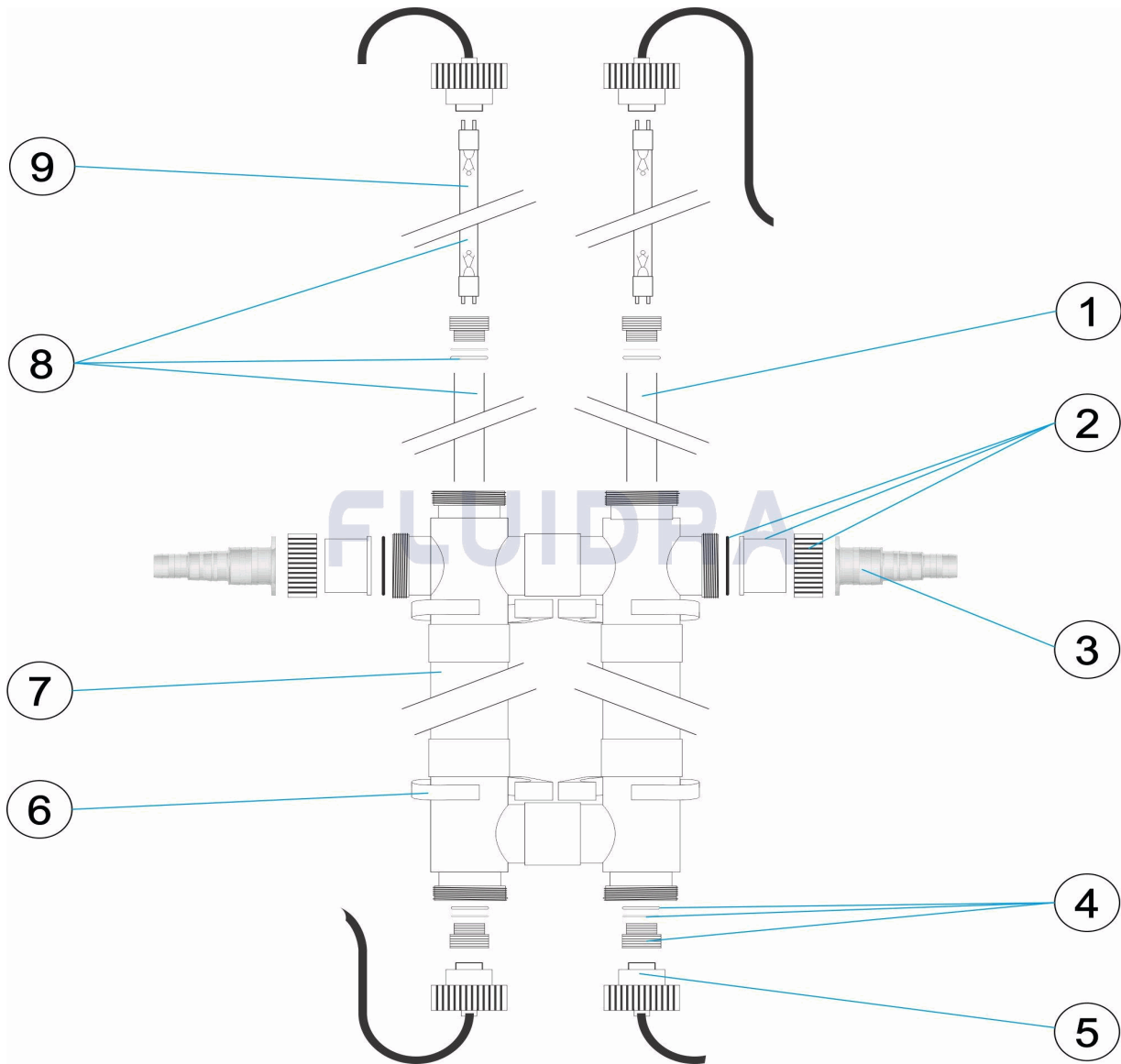


**ITALIANO**

POS	CODICE	DESCRIZIONE	QUANTITA'	POS	CODICE	DESCRIZIONE	QUANTITA'
1	4408070099	GUAINA TUBO DI QUARZO 871 X 300 MM		6	4408070165	IMPUGNATURA DI INSTALLAZIONE	
2	4408070109	CONNESSIONE A 3 VIE		7	4408070168	INVOLUCRO 110 WATT	
3	4408070162	ADATTATORE MANICOTTO		8	72453	KIT LAMPADA 55W	
4	4408070164	DADO		9	71403	LAMPADA VGE TL 55W T8	
5	4408070167	BALASTRO ELETTR. 110W					

CODE **71429**

BESCHREIBUNG: **ASTRAL TL 110 W**

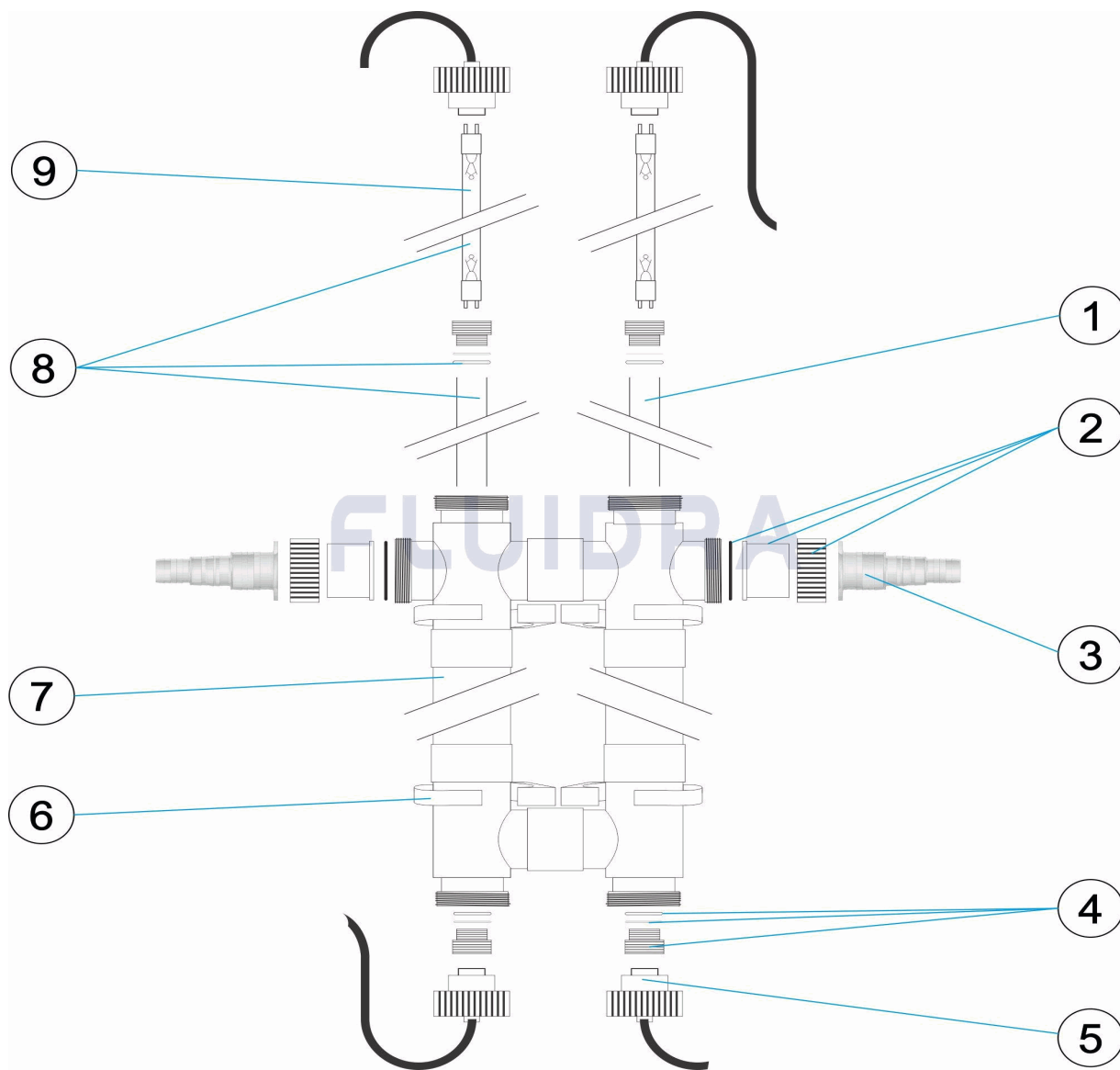


**DEUTSCH**

POS	CODE	BESCHREIBUNG	MENGE	POS	CODE	BESCHREIBUNG	MENGE
1	4408070099	HÜLSE QUARZRÖHRE 871 X 300 MM		6	4408070165	INSTALLATIONSGRIFF	
2	4408070109	3-WEGE-ANSCHLUSS		7	4408070168	GEHÄUSE 110 WATT	
3	4408070162	SCHLAUCHADAPTER		8	72453	KIT LAMPE 55W	
4	4408070164	MUTTER		9	71403	LAMPE VGE TL 55W T8	
5	4408070167	ELEKTR.VORSCHALTGERÄT 110W					

CODIGO **71429**

DESCRIÇÃO: **ASTRAL TL 110 W**



**PORTUGUES**

POS	CODIGO	DESCRIÇÃO	JANTIDADE	POS	CODIGO	DESCRIÇÃO	JANTIDADE
1	4408070099	BAINHA TUBO DE QUARTZO 871 X 300 MM		6	4408070165	GRIP DE INSTALAÇÃO	
2	4408070109	CONEXÃO DE 3 VIAS		7	4408070168	INVÓLUCRO 110 WATT	
3	4408070162	ADAPTADOR MANGUERA		8	72453	KIT LÂMPADA 55W	
4	4408070164	PORCA		9	71403	LÂMPADA VGE TL 55W T8	
5	4408070167	BALASTRO ELECTR. 110W					