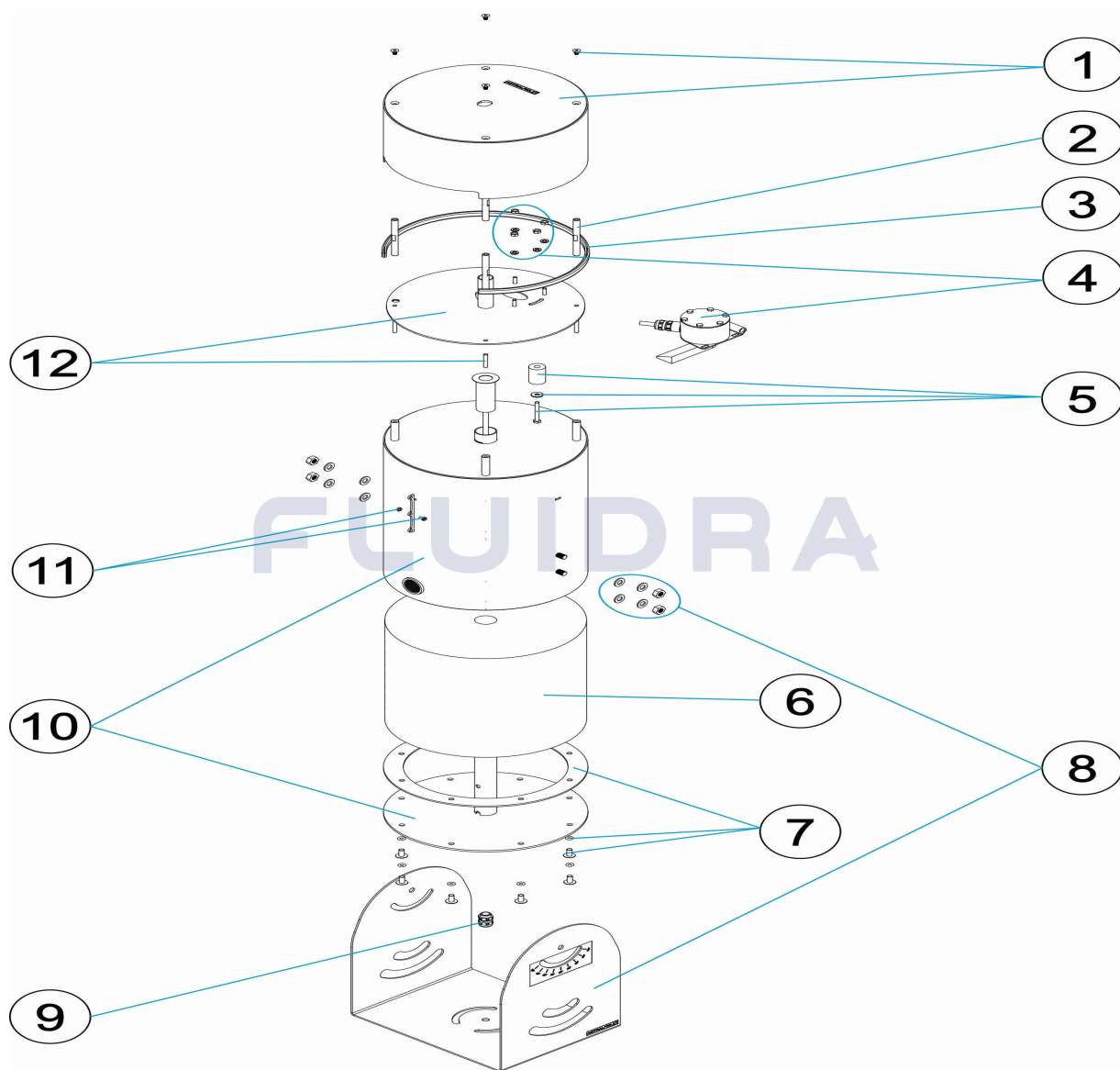


CODIGO **66562**

DESCRIPCION: **GLASSY JET L CON CORTE**

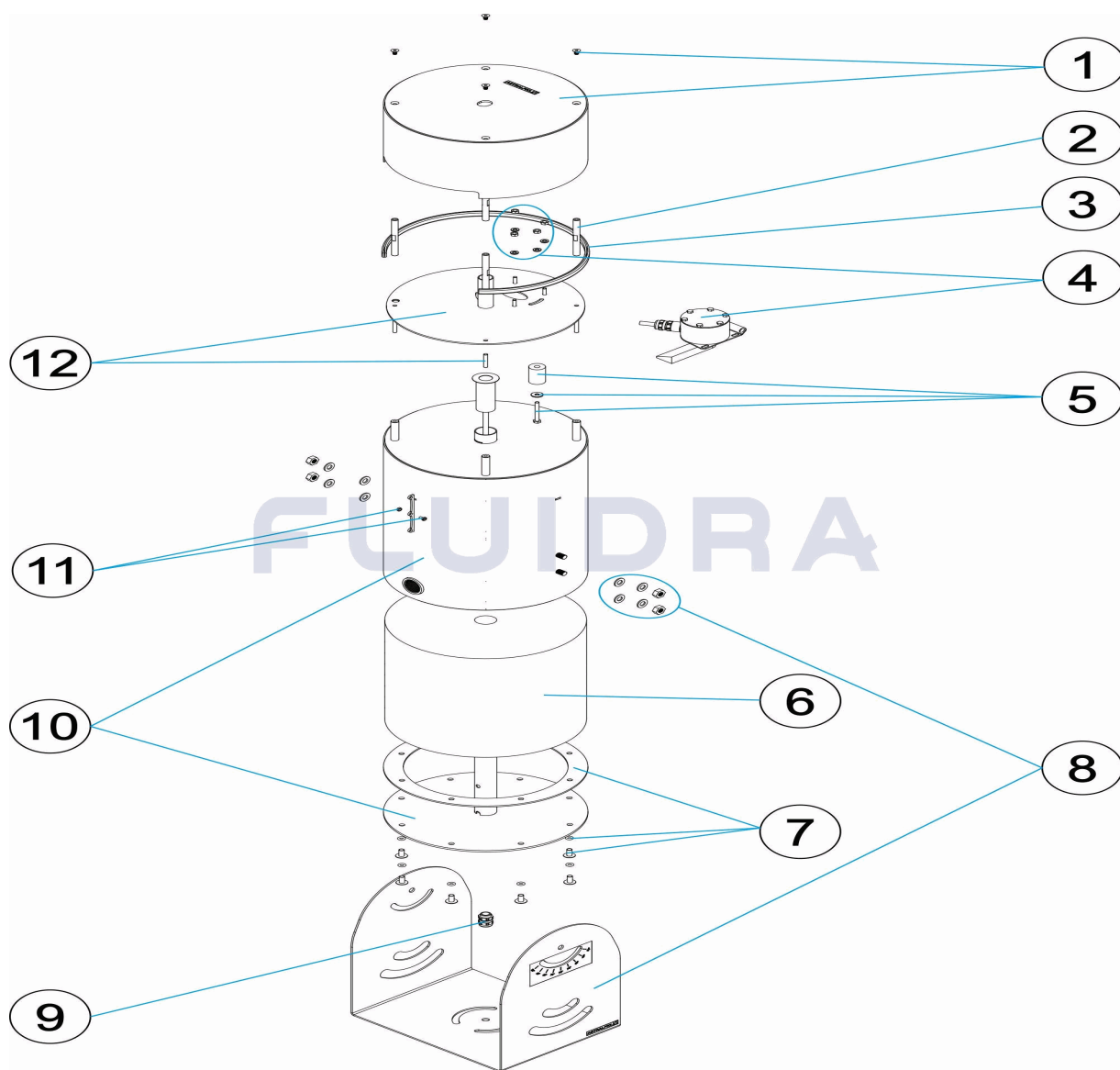


**ESPAÑOL**

POS	CODIGO	DESCRIPCION	CANTIDAD	POS	CODIGO	DESCRIPCION	CANTIDAD
1	4416010054	TAPA SUPERIOR		7	4416010050	JUNTA PLANA + TORNILLOS	
2	4416010055	PILAR		8	4416010049	SOPORTE	
3	4416010056	PERFIL NEGRO TUBO		9	4416010035	PRENSAESTOPAS	
4	4416010057	CONJUNTO CORTE LAMINAR		10	4416010059	CJTO. CUERPO	
5	4416010058	CONJUNTO TOPE TAJADERA		11	4410010015	TOMA DE TIERRA	
6	4416010051	CJTO. 9 ESPUMAS POLIESTER		12	4416010060	CJTO. DOBLE FONDO	

CODE 66562

DESCRIPTION: GLASSY JET L AVEC COUPE

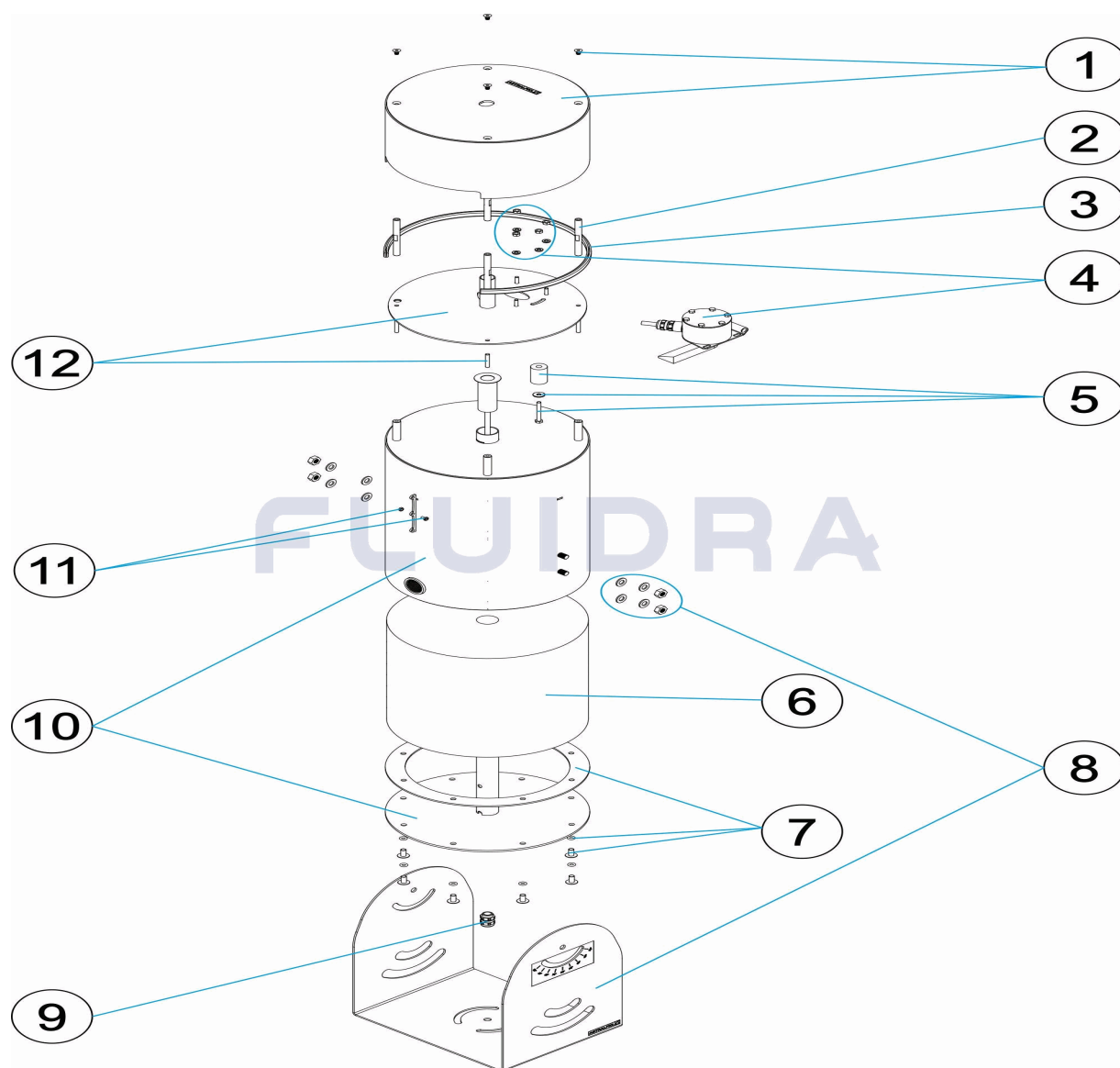


FRANCAIS

POS	CODE	DESCRIPTION	QUANTITE	POS	CODE	DESCRIPTION	QUANTITE
1	4416010054	COUVERCLE SUPÉRIEUR	7	4416010050	JOINT PLAT + VIS		
2	4416010055	PILIER	8	4416010049	SUPPORT		
3	4416010056	PROFIL NOIR TUYAU	9	4416010035	PRESSE-ETOUPE		
4	4416010057	ENSEMBLE DE COUPE LAMINAIRE	10	4416010059	ENSEMBLE CORPS		
5	4416010058	ENSEMBLE DE BUTÉE DE COUPE	11	4410010015	PRISE DE TERRE		
6	4416010051	ENSEMBLE 9 MOUSSE POLYESTER	12	4416010060	ENSEMBLE DOUBLE FOND		

CODE **66562**

DESCRIPTION: **GLASSY JET L WITH JUMPING**

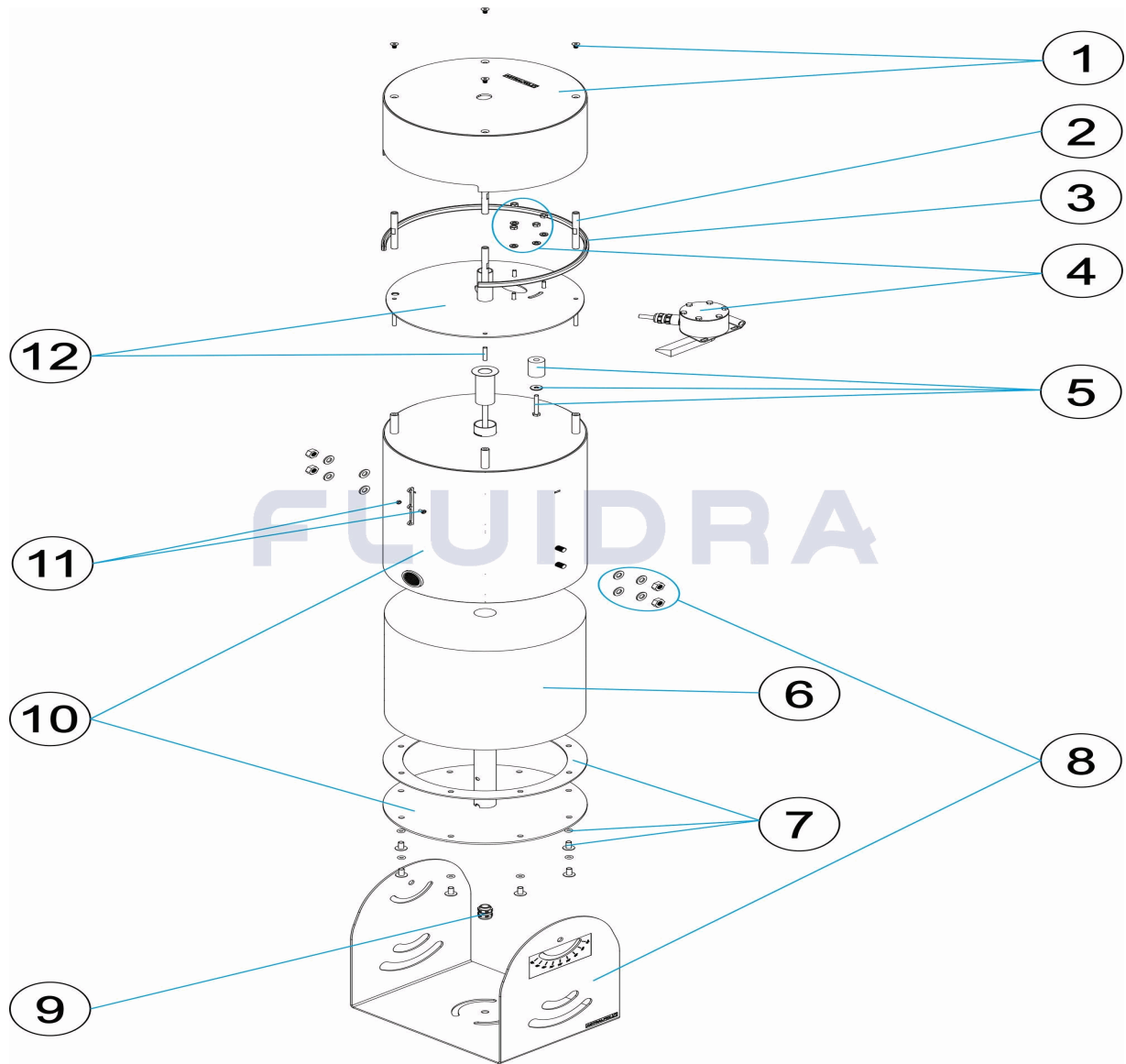


**ENGLISH**

POS	CODE	DESCRIPTION	QUANTITY	POS	CODE	DESCRIPTION	QUANTITY
1	4416010054	TOP COVER		7	4416010050	FLAT GASKET + SCREWS	
2	4416010055	PILLAR		8	4416010049	BRACKET	
3	4416010056	BLACK TUBULAR PROFILE		9	4416010035	GLAND SEAL	
4	4416010057	LAMINAR CUT SET		10	4416010059	BODY ASSEMBLY	
5	4416010058	CHOPPER STOP ASSEMBLY		11	4410010015	EARTH CONNECTION	
6	4416010051	9 POLYESTER FOAM SET		12	4416010060	DOUBLE BOTTOM SET	

CODICE **66562**

DESCRIZIONE: **GLASSY JET L CON TAGLIO**

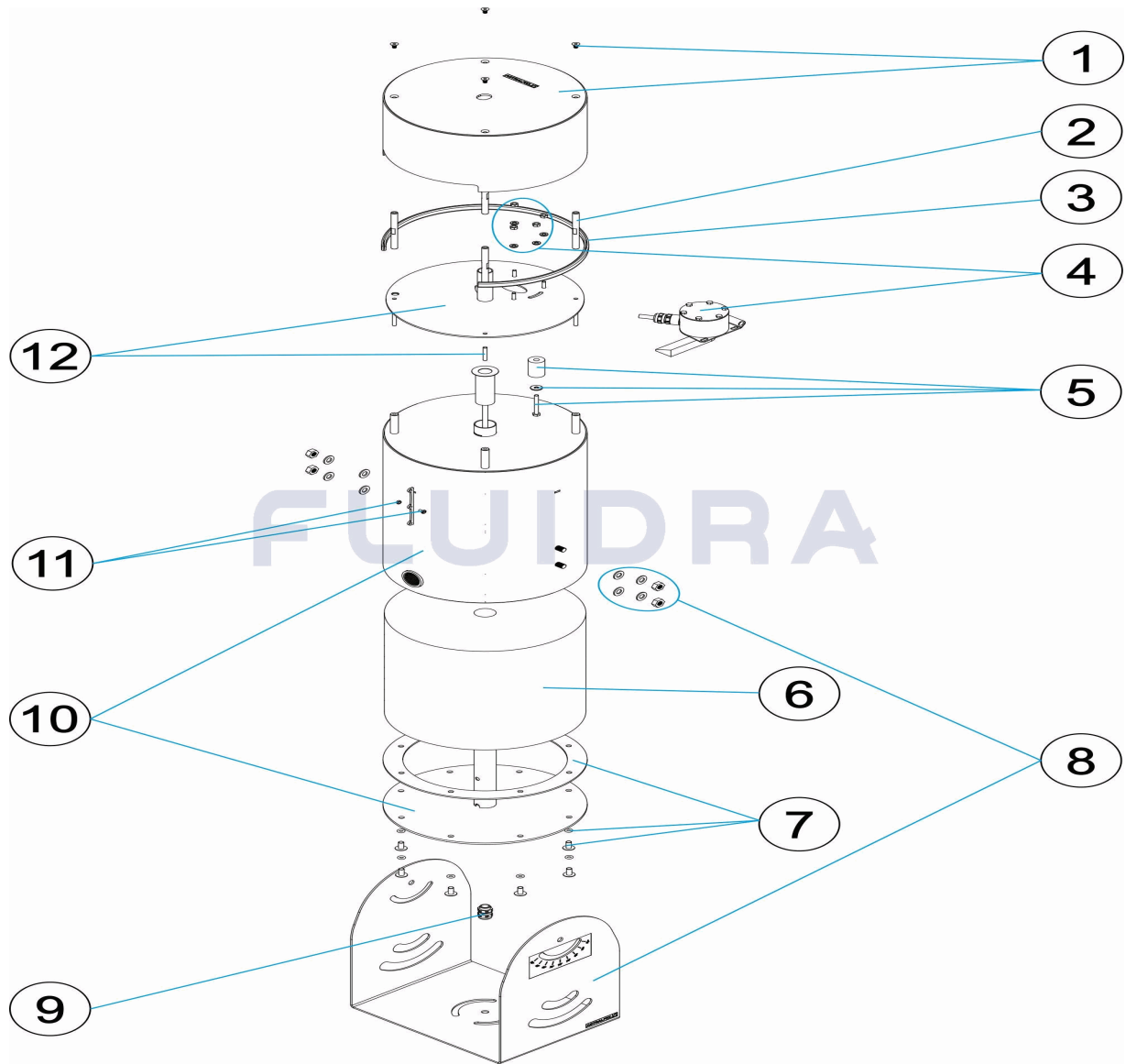


**ITALIANO**

POS	CODICE	DESCRIZIONE	QUANTITA'	POS	CODICE	DESCRIZIONE	QUANTITA'
1	4416010054	COPERCHIO SUPERIORE	7	4416010050	GUARNIZIONE PIANA + VITI		
2	4416010055	PILASTRO	8	4416010049	SUPPORTO		
3	4416010056	PROFILO NERO TUBO	9	4416010035	PREMISTOPPA		
4	4416010057	SET TAGLIO LAMINARE	10	4416010059	GRUPPO CORPO		
5	4416010058	MONTAGGIO ARRESTO CHOPPER	11	4410010015	PRESA A TERRA		
6	4416010051	SET 9 SCHIUMA POLIESTERE	12	4416010060	SET DOPPIO FONDO		

CODE **66562**

BESCHREIBUNG: **GLASSY JET L MITT SCHNITT**

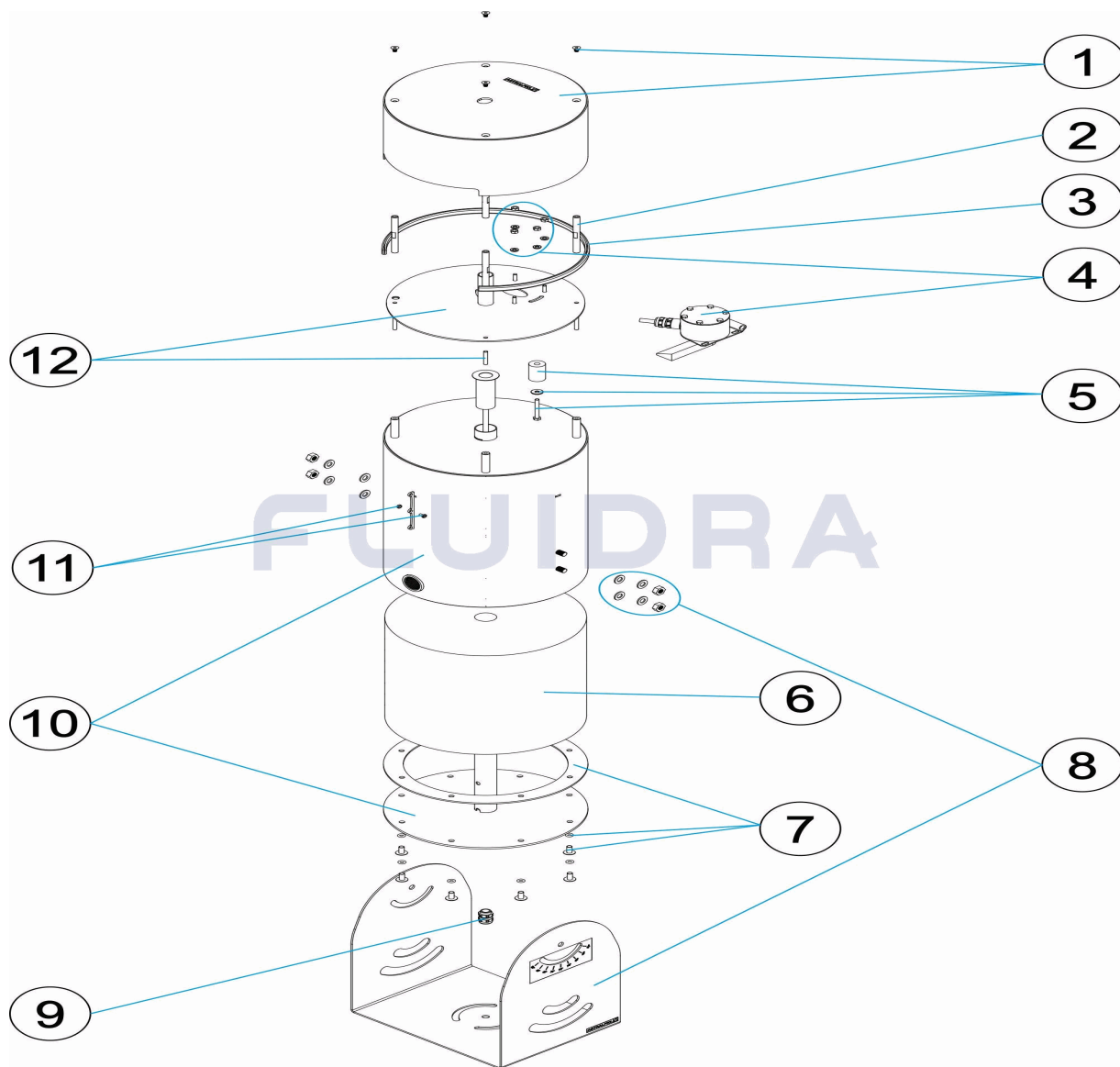


**DEUTSCH**

POS	CODE	BESCHREIBUNG	MENGE	POS	CODE	BESCHREIBUNG	MENGE
1	4416010054	ABDECKUNG OBEN	7	4416010050	FLACHDICHTUNG MIT SCHRAUBEN		
2	4416010055	SÄULE	8	4416010049	HALTERUNG		
3	4416010056	PROFIL SCHWARZ ROHR	9	4416010035	QUETSCHVERSCHRAUBUNG		
4	4416010057	LAMINARSCHNITTSET	10	4416010059	SET GEHÄUSE		
5	4416010058	COPPER STOP MONTAGE	11	4410010015	ERDUNG		
6	4416010051	9 POLYESTERSCHAUM-SET	12	4416010060	DOPPELBODEN-SET		

CODIGO **66562**

DESCRIÇÃO: **GLASSY JET L COM CORTE**



**PORTUGUES**

POS	CODIGO	DESCRIÇÃO	JANTIDADE	POS	CODIGO	DESCRIÇÃO	JANTIDADE
1	4416010054	TAMPA SUPERIOR		7	4416010050	JUNTA PLANA + PARAFUSOS	
2	4416010055	PILAR		8	4416010049	SUPORTE	
3	4416010056	PERFIL PRETO TUBO		9	4416010035	BUCIN	
4	4416010057	CONJUNTO DE CORTE LAMINAR		10	4416010059	CONJUNTO CORPO	
5	4416010058	CONJUNTO DE PARADA DO CORTADOR		11	4410010015	LIGAÇÃO A TERRA	
6	4416010051	JOGO DE 9 ESPUMAS DE POLIÉSTER		12	4416010060	CONJUNTO FUNDO DUPLO	