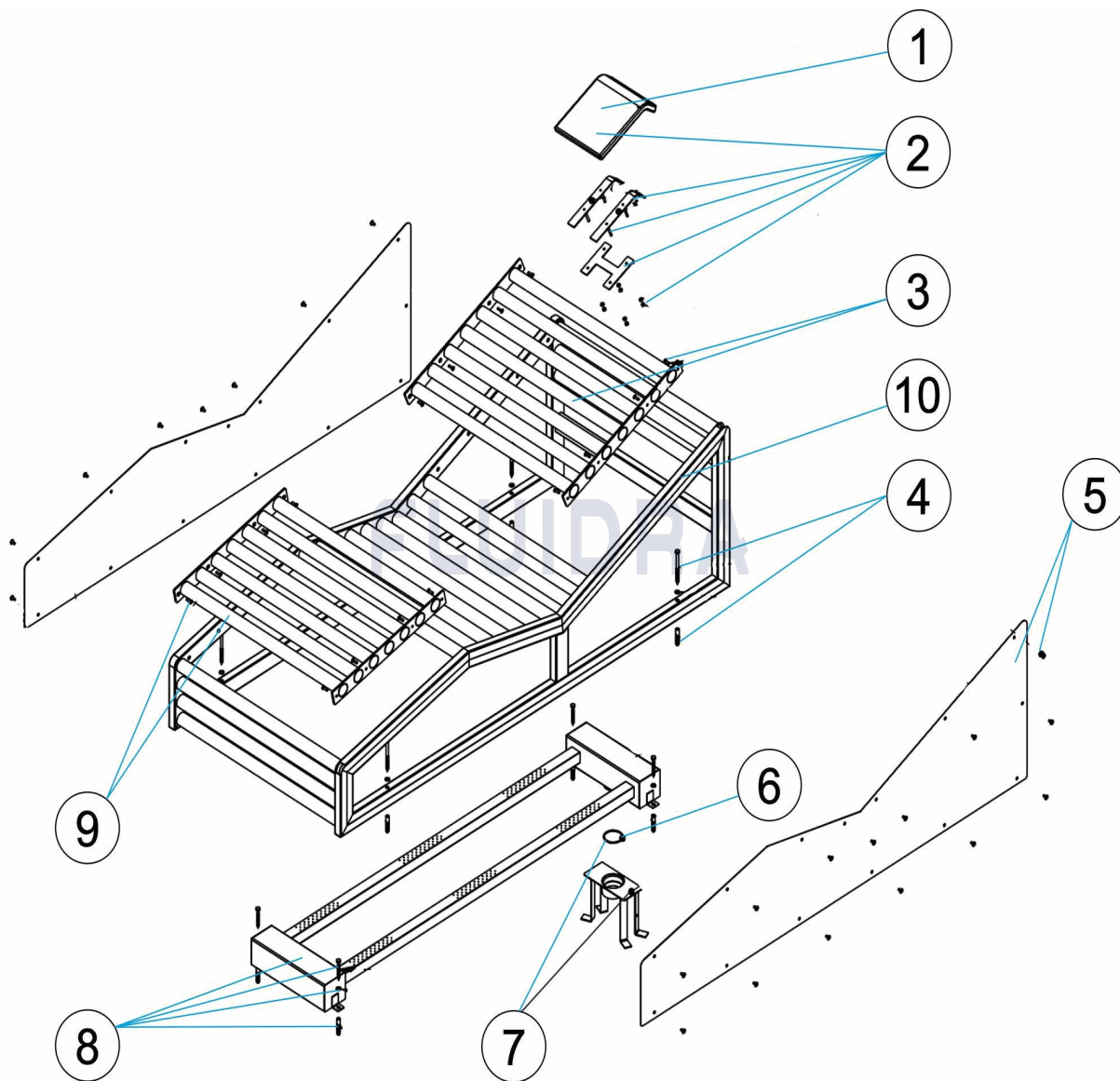


CODIGO 58812, 67746, 67747

DESCRIPCION: TUMBONA HIDROMASAJE TUBULAR



ESPAÑOL

POS	CODIGO	DESCRIPCION	CANTIDAD	POS	CODIGO	DESCRIPCION	CANTIDAD
1	4401110028	REPOSA CABEZAS		7	4401110052	ANCLAJE TUMBONA HIDROMASAJE	
2	4401110031	REPOSA CABEZAS COMPLETO		8	4401110053	DISTRIBUIDOR AIRE	
3	4401110049	REGISTRO SUPERIOR		9	4401110054	REGISTRO INFERIOR	
4	4401110050	TORNILLERIA ANCLAJE		10	* 58812R0100	ESTRUCTURA TUMBONA	
5	* 4401110051	TAPA EMBELLECEDORA		10	* 67746R0100	ESTRUCTURA TUMBONA	
6	4401120102	JUNTA TORICA					

CODIGO **58812, 67746, 67747**

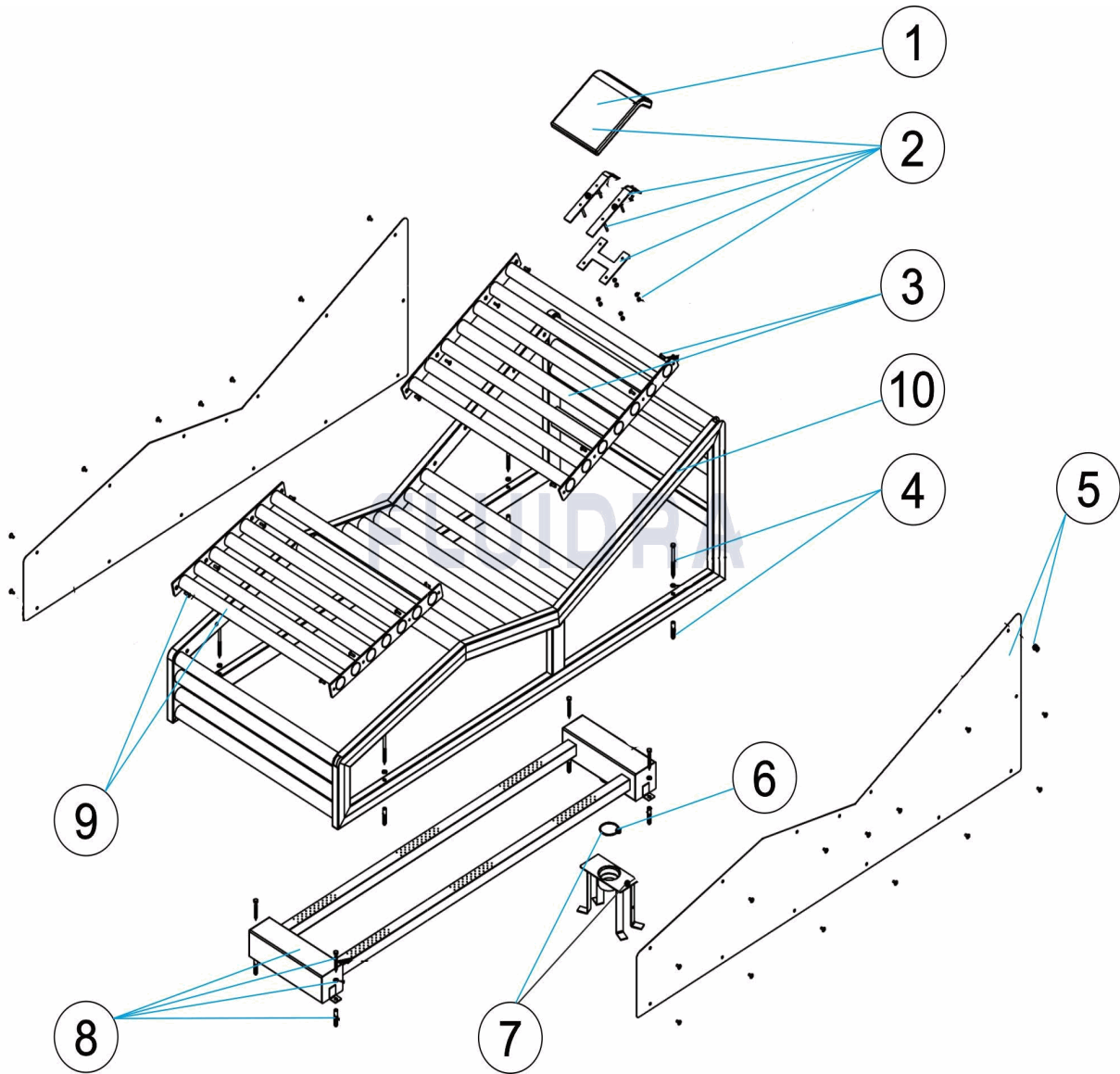
DESCRIPCION: TUMBONA HIDROMASAJE TUBULAR

OBSERVACIONES

POS	CODIGO	OBSERVACIONES
5	* 4401110051	PARA: 67746, 67747
10	* 58812R0100	PARA: 58812
10	* 67746R0100	PARA: 67746, 67747

CODE 58812, 67746, 67747

DESCRIPTION: BAIN DE SOLEIL TUBULAIRE D'HYDROMASSAGE



FRANCAIS

POS	CODE	DESCRIPTION	QUANTITE	POS	CODE	DESCRIPTION	QUANTITE
1	4401110028	APPUIE-TÊTE		7	4401110052	ANCRAGE POUR CHAISE-LONGUE HYDRO	
2	4401110031	APPUIE-TÊTE COMPLET		8	4401110053	BOISSEAU AIR	
3	4401110049	REGISTRE SUPERIOR		9	4401110054	REGISTRE INFERIEUR	
4	4401110050	VISSERIE ANCRAGE		10	* 58812R0100	STRUCTURE LIT	
5	* 4401110051	COUVERCLE ENJOLIVEUR		10	* 67746R0100	STRUCTURE LIT	
6	4401120102	JOINT TORIQUE					

CODE **58812, 67746, 67747**

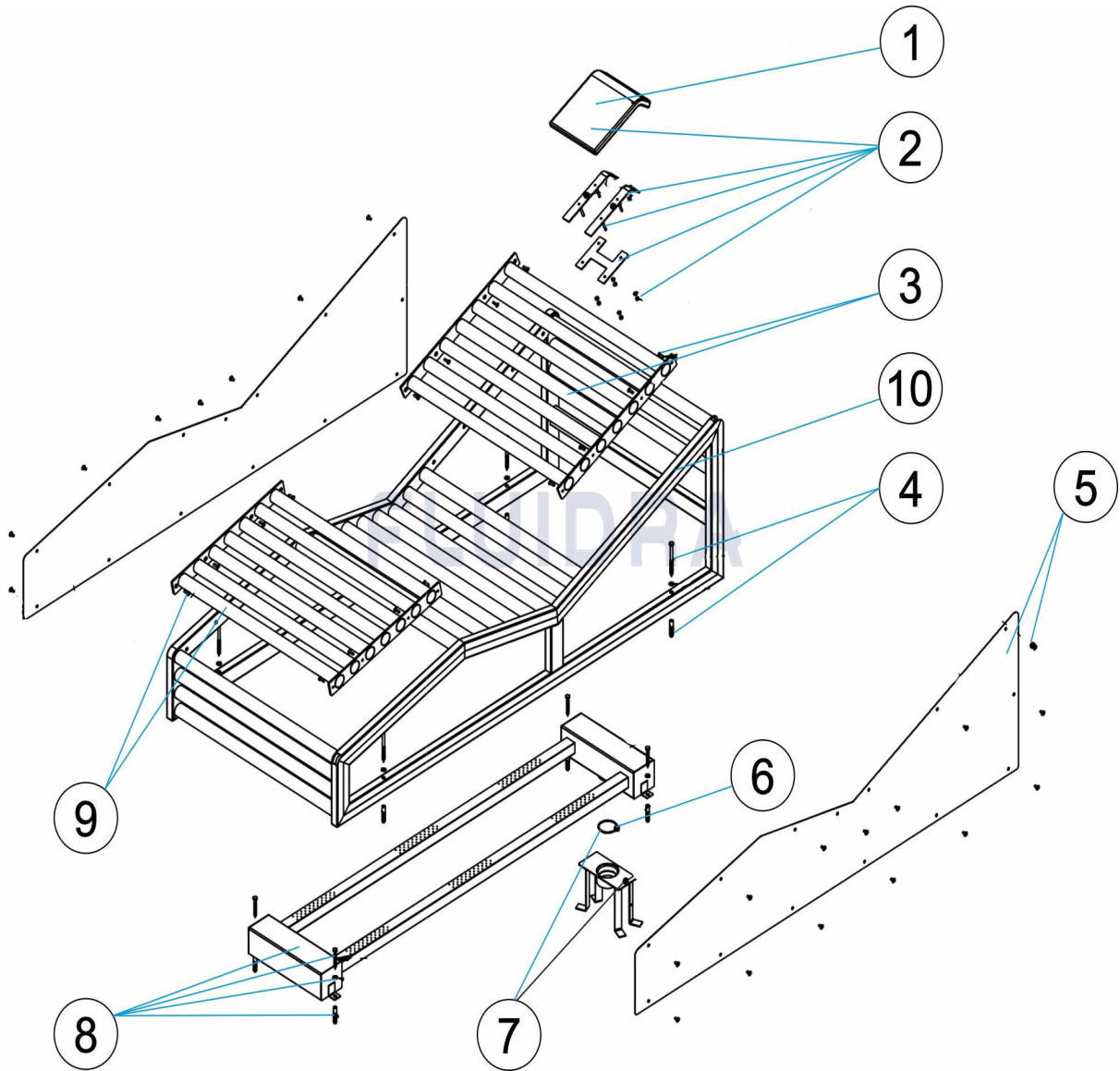
DESCRIPTION: **BAIN DE SOLEIL TUBULAIRE D'HYDROMASSAGE**

OBSERVATIONS

POS	CODE	OBSERVATIONS
5	* 4401110051	POUR: 67746, 67747
10	* 58812R0100	POUR: 58812
10	* 67746R0100	POUR: 67746, 67747

CODE 58812, 67746, 67747

DESCRIPTION: TUBULAR HYDROMASSAGE SUNBED



ENGLISH

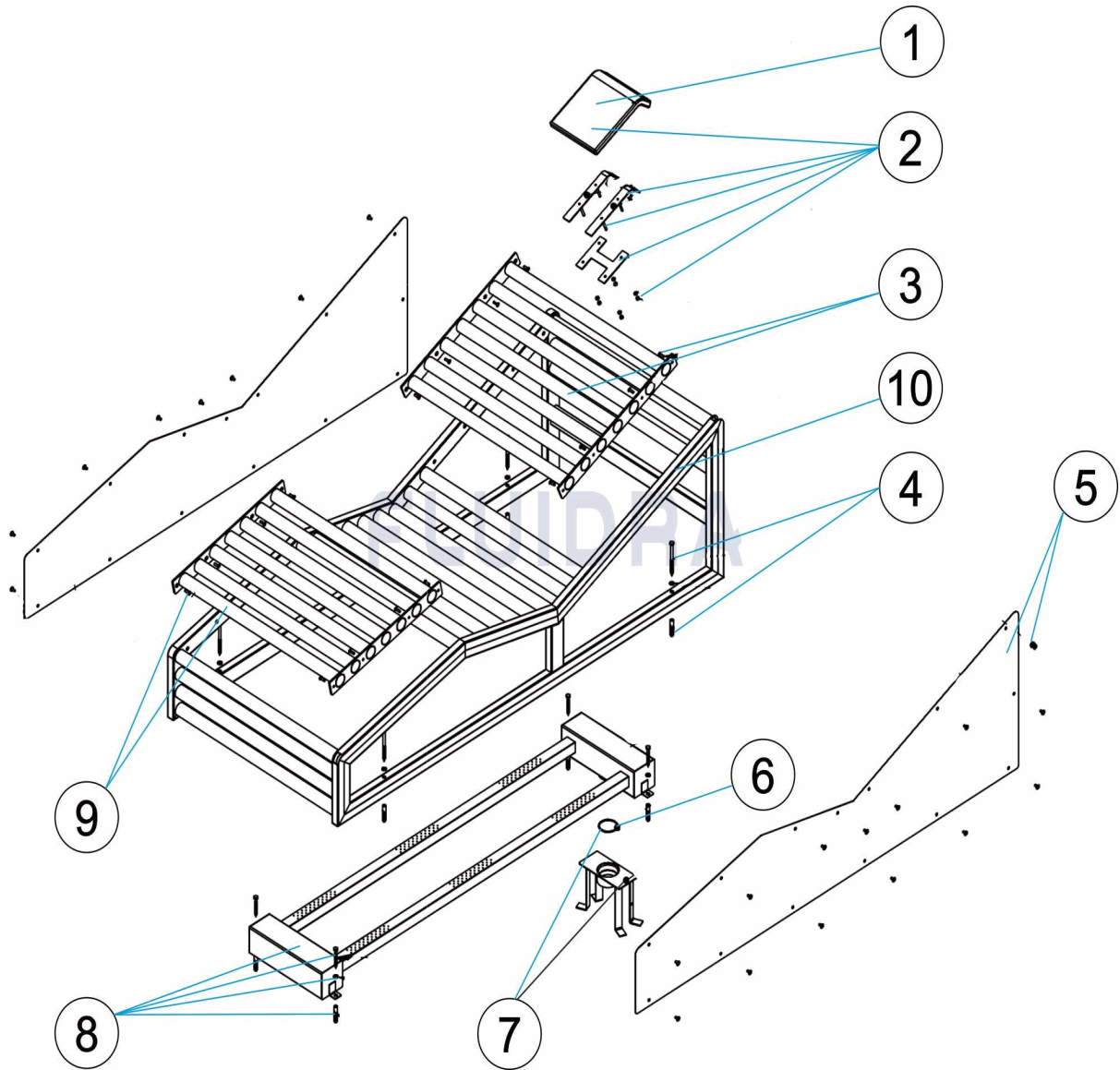
POS	CODE	DESCRIPTION	QUANTITY	POS	CODE	DESCRIPTION	QUANTITY
1	4401110028	HEAD REST		7	4401110052	HYDROMASSAGE LOUNGER ANCHOR	
2	4401110031	COMPLETE HEAD REST		8	4401110053	AIR DISTRIBUTOR	
3	4401110049	UPPER FRAME		9	4401110054	INFERIOR FRAME	
4	4401110050	ANCHOR FIXINGS		10	* 58812R0100	BODY BED	
5	* 4401110051	TRIM COVER		10	* 67746R0100	BODY BED	
6	4401120102	O' RING					

CODE **58812, 67746, 67747**DESCRIPTION: **TUBULAR HYDROMASSAGE SUNBED****OBSERVATIONS**

POS	CODE	OBSERVATIONS
5	* 4401110051	FOR: 67746, 67747
10	* 58812R0100	FOR: 58812
10	* 67746R0100	FOR: 67746, 67747

CODICE 58812, 67746, 67747

DESCRIZIONE: LETTINO IDROMASSAGGIO TUBOLARE



ITALIANO

POS	CODICE	DESCRIZIONE	QUANTITA'	POS	CODICE	DESCRIZIONE	QUANTITA'
1	4401110028	RIPOSA TESTINE		7	4401110052	ANCORAGGIO SDRAIO IDROMASSAGGIO	
2	4401110031	COMPLETA RIPOSA TESTINE		8	4401110053	DISTRIBUTORE ARIA	
3	4401110049	STRUTTURA SUPERIORE		9	4401110054	STRUTTURA INFERIORE	
4	4401110050	BULLONERIA ANCORAGGIO		10	* 58812R0100	STRUTTURA SALONE	
5	* 4401110051	COPERCHIO ORNAMENTALE		10	* 67746R0100	STRUTTURA SALONE	
6	4401120102	O-RING					

CODICE **58812, 67746, 67747**

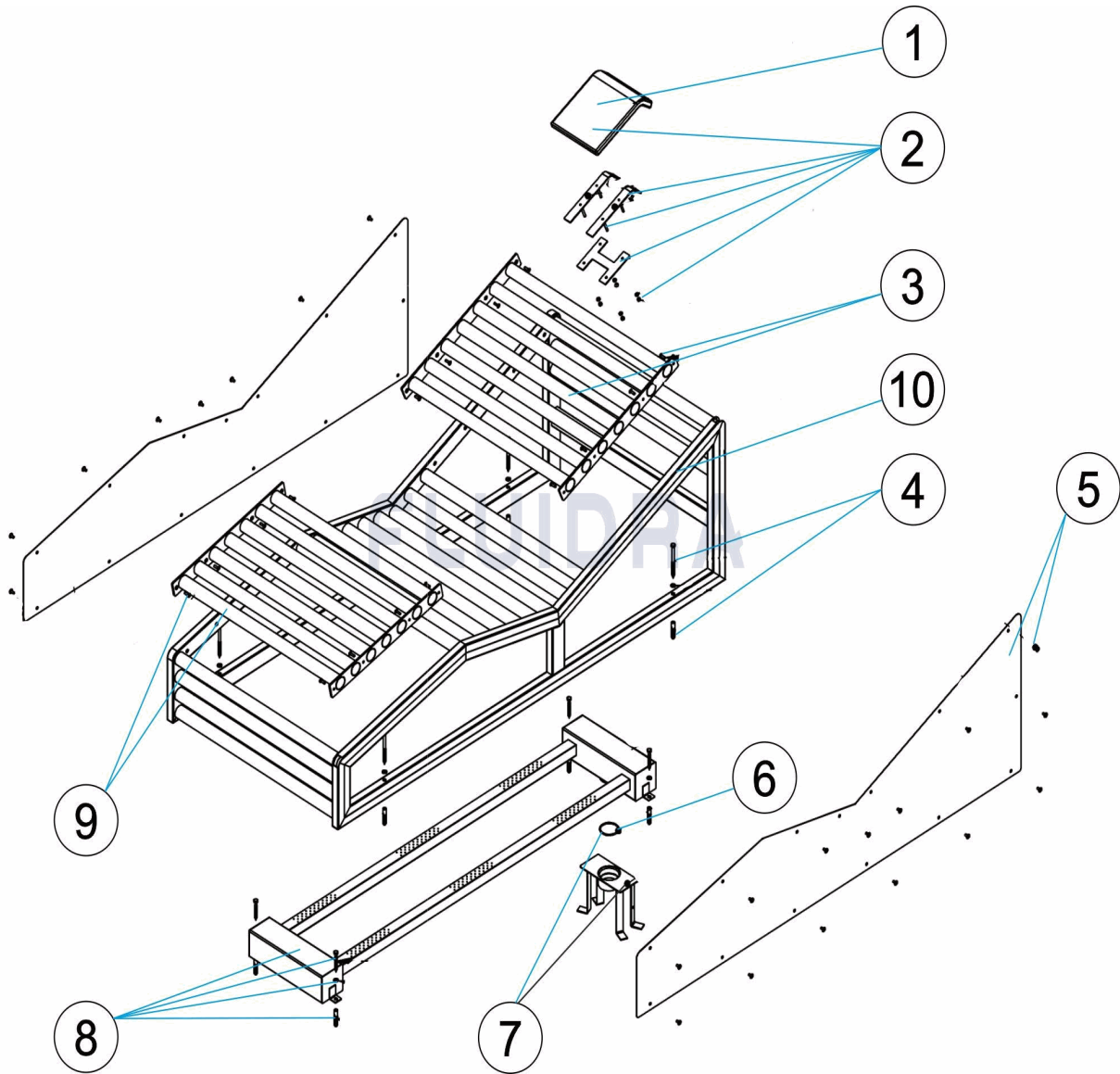
DESCRIZIONE: **LETTINO IDROMASSAGGIO TUBOLARE**

OSSERVAZIONI

POS	CODICE	OSSERVAZIONI
5	* 4401110051	PER: 67746, 67747
10	* 58812R0100	PER: 58812
10	* 67746R0100	PER: 67746, 67747

CODE 58812, 67746, 67747

BESCHREIBUNG: TUBULAR HYDROMASSAGE SONNENBETT



DEUTSCH

POS	CODE	BESCHREIBUNG	MENGE	POS	CODE	BESCHREIBUNG	MENGE
1	4401110028	KOPFSTÜTZE		7	4401110052	LIEGE HYDROMASSAGE VERANKERUNG	
2	4401110031	KOPFSTÜTZ KOMPLETT		8	4401110053	VERTEILER LUFT	
3	4401110049	OBERER RAHMEN		9	4401110054	SCHLECHTER RAHMEN	
4	4401110050	SCHRAUBENSATZ VERANKERUNG		10	* 58812R0100	LOUNGE-STRUKTUR	
5	* 4401110051	ZIERDECKEL		10	* 67746R0100	LOUNGE-STRUKTUR	
6	4401120102	O-RING					

CODE **58812, 67746, 67747**

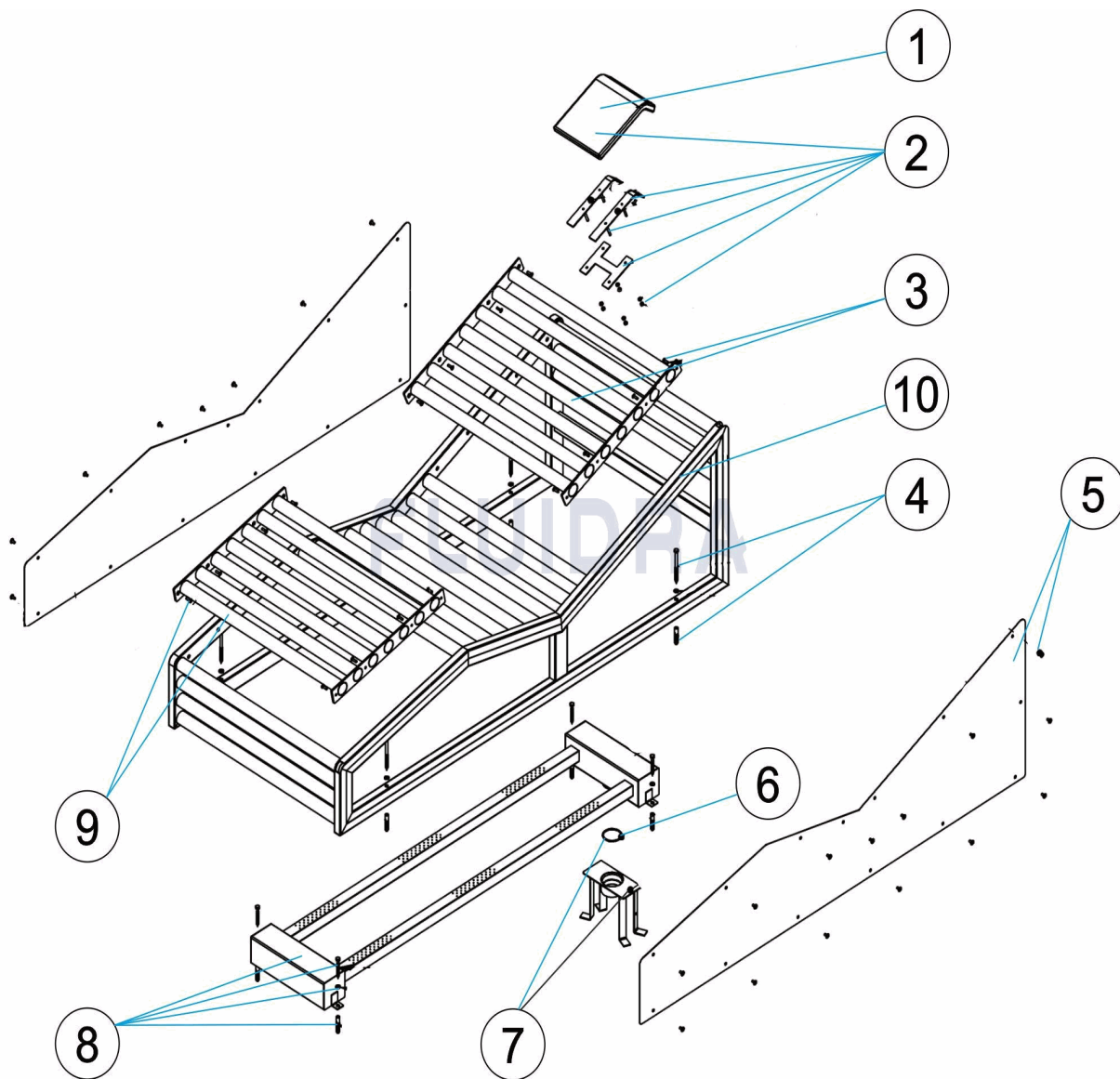
BESCHREIBUNG: **TUBULAR HYDROMASSAGE SONNENBETT**

HINWEISE

POS	CODE	HINWEISE
5	* 4401110051	FÜR: 67746, 67747
10	* 58812R0100	FÜR: 58812
10	* 67746R0100	FÜR: 67746, 67747

CODIGO 58812, 67746, 67747

DESCRIÇÃO: CAMA DE HIDROMASSAGEM TUBULAR



PORTUGUES

POS	CODIGO	DESCRIÇÃO	JANTIDADE	POS	CODIGO	DESCRIÇÃO	JANTIDADE
1	4401110028	REPOUSA CABEÇAS		7	4401110052	ÂNCORA DA CADEIRA HIDROMASSAGEM	
2	4401110031	REPOUSA CABEÇAS COMPLETO		8	4401110053	DISTRIBUIDOR AR	
3	4401110049	QUADRO SUPERIOR		9	4401110054	QUADRO INFERIOR	
4	4401110050	PARAFUSOS ÂNCORA		10	* 58812R0100	ESTRUTURA DO LOUNGE	
5	* 4401110051	TAMPA EMBELEZEDORA		10	* 67746R0100	ESTRUTURA DO LOUNGE	
6	4401120102	JUNTA TÓRICA					

CODIGO **58812, 67746, 67747**

DESCRIÇÃO: CAMA DE HIDROMASSAGEM TUBULAR

OBSERVAÇÕES

POS	CODIGO	OBSERVAÇÕES
5	* 4401110051	PARA: 67746, 67747
10	* 58812R0100	PARA: 58812
10	* 67746R0100	PARA: 67746, 67747