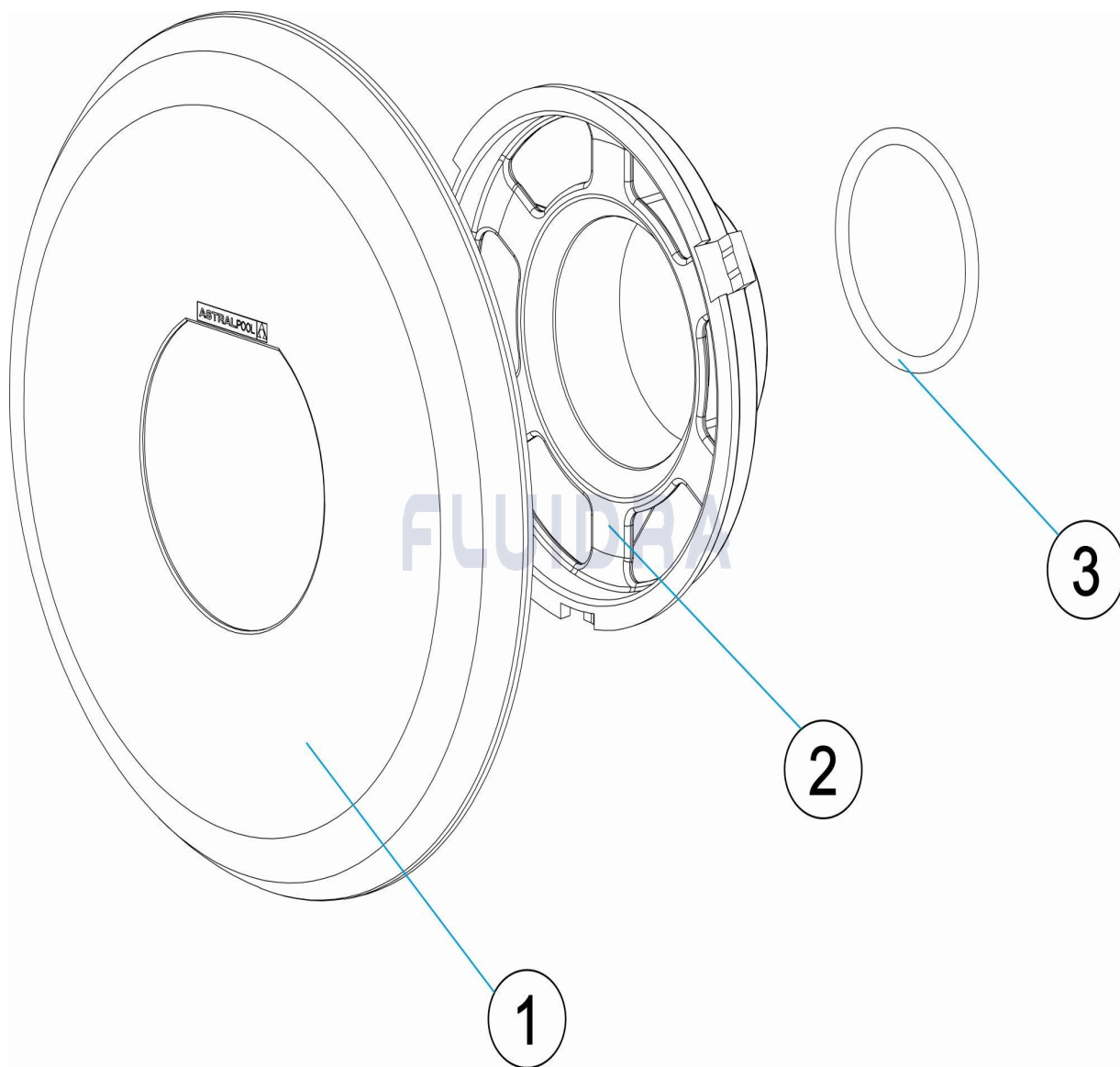


CODIGO 74392, 74392CL090, 74392CL129, 74392CL144, 74392CLSS

DESCRIPCION: EMBELLECEDOR NICHOS LUMIPLUS FLEXIMINI



ESPAÑOL

POS	CODIGO	DESCRIPCION	CANTIDAD	POS	CODIGO	DESCRIPCION	CANTIDAD
1	* 4403010183	EMBELLECEDOR PROYECTOR		1	* 4403010187	EMBELLECEDOR PROYECTOR	
1	* 4403010184	EMBELLECEDOR PROYECTOR		2	4403010188	ADAPTADOR NICHOS	
1	* 4403010185	EMBELLECEDOR PROYECTOR		3	4403015305	JUNTA TORICA	
1	* 4403010186	EMBELLECEDOR PROYECTOR					

CODIGO **74392, 74392CL090, 74392CL129, 74392CL144, 74392CLSS**

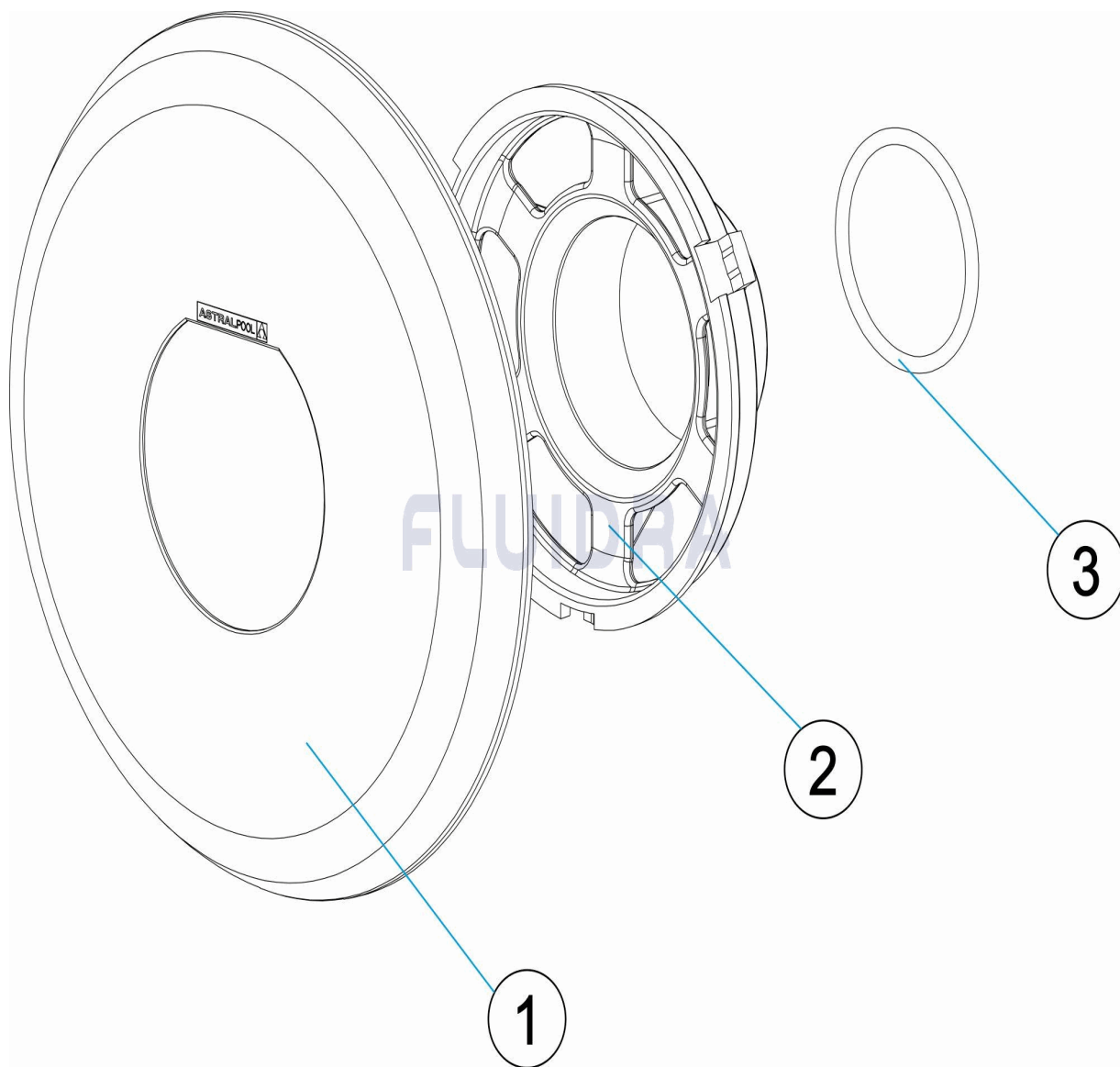
DESCRIPCION: EMBELLECEDOR NICHOS LUMIPLUS FLEXIMINI

OBSERVACIONES

POS	CODIGO	OBSERVACIONES
1	* 4403010183	PARA: 74392 WHITE
1	* 4403010184	PARA: 74392CL090 BEIGE
1	* 4403010185	PARA: 74392CL129 GREY
1	* 4403010186	PARA: 74392CL144 ANTHRACITE
1	* 4403010187	PARA: 74392CLSS STAINLESS STEEL

CODE **74392, 74392CL090, 74392CL129, 74392CL144, 74392CLSS**

DESCRIPTION: **ENJOLIVEUR NICHE LUMIPLUS FLEXIMINI**



FRANCAIS

POS	CODE	DESCRIPTION	QUANTITE	POS	CODE	DESCRIPTION	QUANTITE
1	* 4403010183	ENJOLIVEUR PROJECTEUR		1	* 4403010187	ENJOLIVEUR PROJECTEUR	
1	* 4403010184	ENJOLIVEUR PROJECTEUR		2	4403010188	ADAPTATEUR NICHE	
1	* 4403010185	ENJOLIVEUR PROJECTEUR		3	4403015305	JOINT TORIQUE	
1	* 4403010186	ENJOLIVEUR PROJECTEUR					

CODE **74392, 74392CL090, 74392CL129, 74392CL144, 74392CLSS**

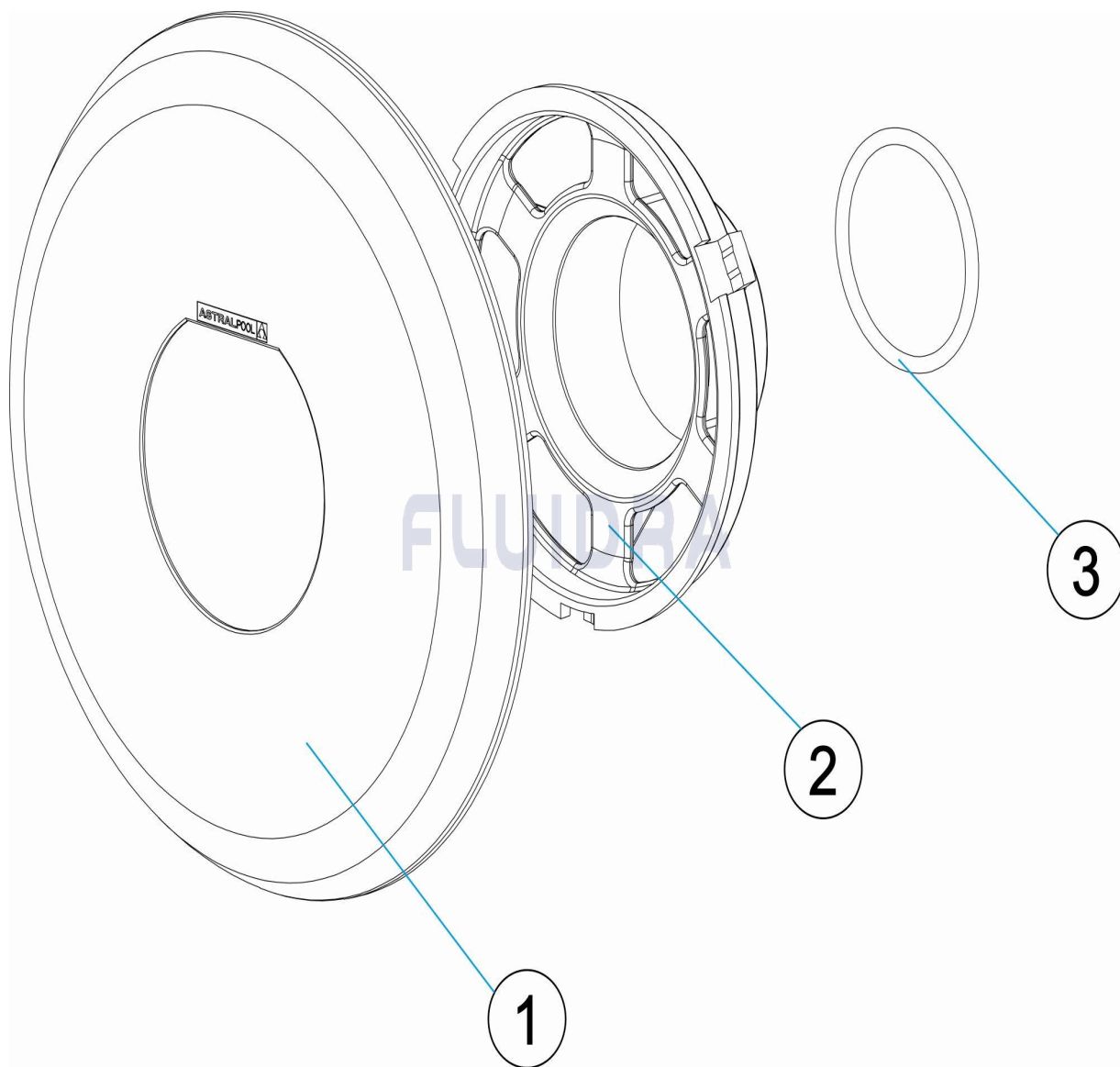
DESCRIPTION: **ENJOLIVEUR NICHE LUMIPLUS FLEXIMINI**

OBSERVATIONS

POS	CODE	OBSERVATIONS
1	* 4403010183	POUR: 74392 WHITE
1	* 4403010184	POUR: 74392CL090 BEIGE
1	* 4403010185	POUR: 74392CL129 GREY
1	* 4403010186	POUR: 74392CL144 ANTHRACITE
1	* 4403010187	POUR: 74392CLSS STAINLESS STEEL

CODE **74392, 74392CL090, 74392CL129, 74392CL144, 74392CLSS**

DESCRIPTION: **DECORATIVE RING FOR NICHE LUMIPLUS FLEXIMINI**



ENGLISH

POS	CODE	DESCRIPTION	QUANTITY	POS	CODE	DESCRIPTION	QUANTITY
1	* 4403010183	PROJECTOR TRIM		1	* 4403010187	PROJECTOR TRIM	
1	* 4403010184	PROJECTOR TRIM		2	4403010188	NICHE ADAPTER	
1	* 4403010185	PROJECTOR TRIM		3	4403015305	O' RING	
1	* 4403010186	PROJECTOR TRIM					

CODE **74392, 74392CL090, 74392CL129, 74392CL144, 74392CLSS**

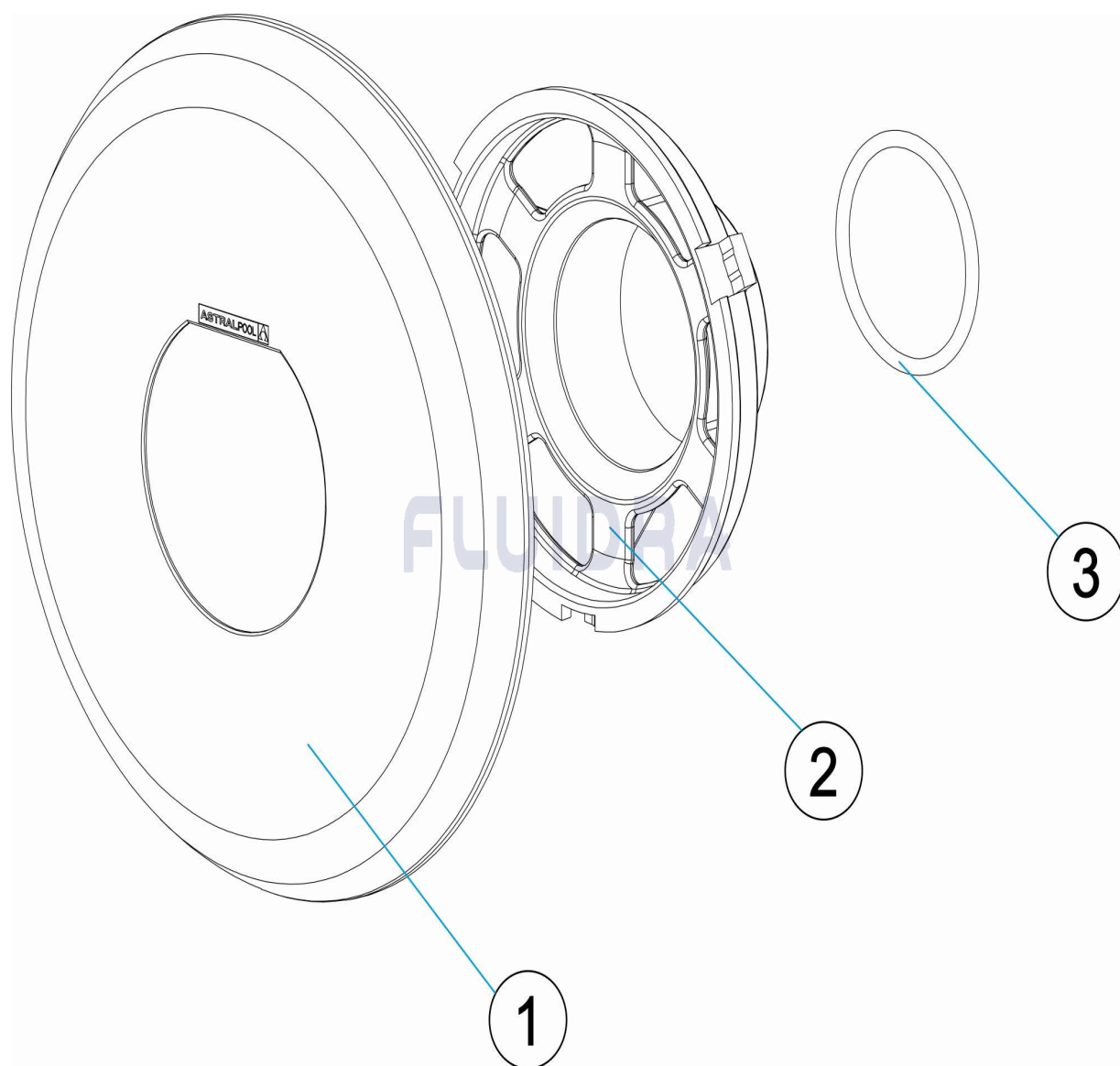
DESCRIPTION: **DECORATIVE RING FOR NICHES LUMIPLUS FLEXIMINI**

OBSERVATIONS

POS	CODE	OBSERVATIONS
1	* 4403010183	FOR: 74392 WHITE
1	* 4403010184	FOR: 74392CL090 BEIGE
1	* 4403010185	FOR: 74392CL129 GREY
1	* 4403010186	FOR: 74392CL144 ANTHRACITE
1	* 4403010187	FOR: 74392CLSS STAINLESS STEEL

CODICE **74392, 74392CL090, 74392CL129, 74392CL144, 74392CLSS**

DESCRIZIONE: **RIVESTIMENTO NICCHIA LUMIPLUS FLEXIMINI**



ITALIANO

POS	CODICE	DESCRIZIONE	QUANTITA'	POS	CODICE	DESCRIZIONE	QUANTITA'
1	* 4403010183	RIFINITURA FARO		1	* 4403010187	RIFINITURA FARO	
1	* 4403010184	RIFINITURA FARO		2	4403010188	ADATTATORE NICCHIA	
1	* 4403010185	RIFINITURA FARO		3	4403015305	O-RING	
1	* 4403010186	RIFINITURA FARO					

CODICE **74392, 74392CL090, 74392CL129, 74392CL144, 74392CLSS**

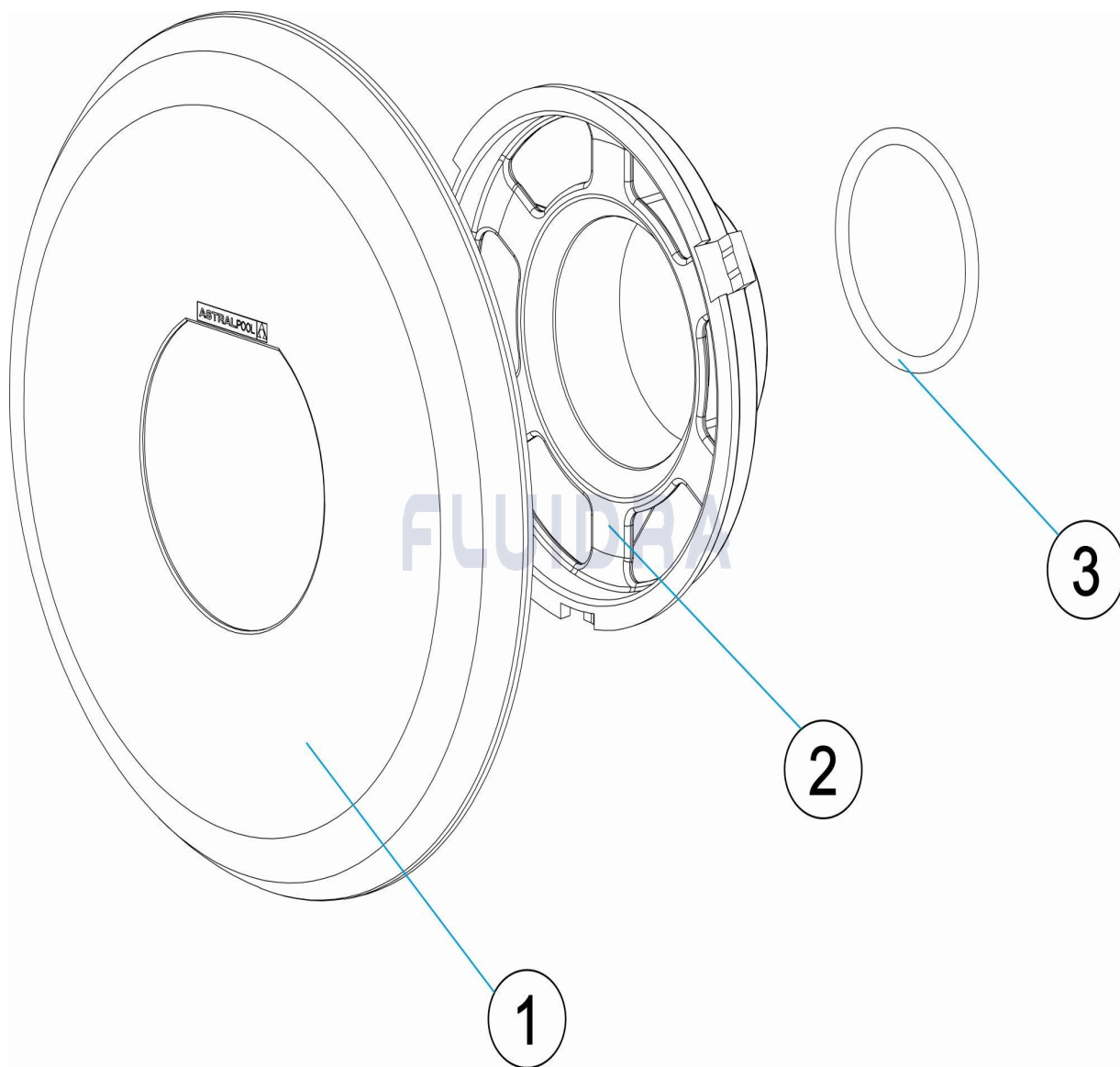
DESCRIZIONE: **RIVESTIMENTO NICCHIA LUMIPLUS FLEXIMINI**

OSSERVAZIONI

POS	CODICE	OSSERVAZIONI
1	* 4403010183	PER: 74392 WHITE
1	* 4403010184	PER: 74392CL090 BEIGE
1	* 4403010185	PER: 74392CL129 GREY
1	* 4403010186	PER: 74392CL144 ANTHRACITE
1	* 4403010187	PER: 74392CLSS STAINLESS STEEL

CODE **74392, 74392CL090, 74392CL129, 74392CL144, 74392CLSS**

BESCHREIBUNG: **BLENDE UWS LUMIPLUS FLEXIMINI**



DEUTSCH

POS	CODE	BESCHREIBUNG	MENGE	POS	CODE	BESCHREIBUNG	MENGE
1	* 4403010183	BLLENDE UWS		1	* 4403010187	BLLENDE UWS	
1	* 4403010184	BLLENDE UWS		2	4403010188	ADAPTER EINBAUTOPF	
1	* 4403010185	BLLENDE UWS		3	4403015305	O-RING	
1	* 4403010186	BLLENDE UWS					

CODE **74392, 74392CL090, 74392CL129, 74392CL144, 74392CLSS**

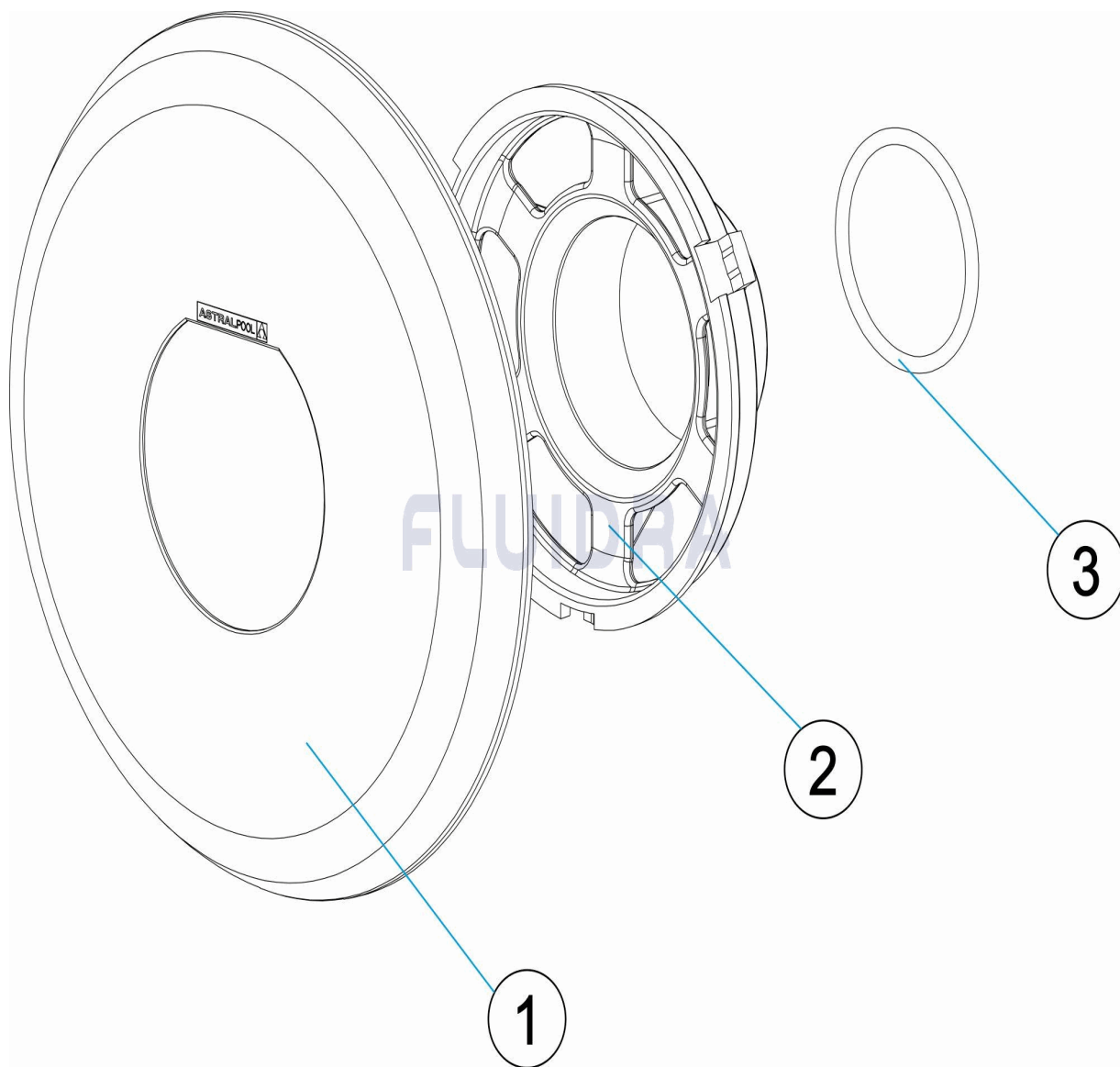
BESCHREIBUNG: **BLLENDE UWS LUMIPLUS FLEXIMINI**

HINWEISE

POS	CODE	HINWEISE
1	* 4403010183	FÜR: 74392 WHITE
1	* 4403010184	FÜR: 74392CL090 BEIGE
1	* 4403010185	FÜR: 74392CL129 GREY
1	* 4403010186	FÜR: 74392CL144 ANTHRACITE
1	* 4403010187	FÜR: 74392CLSS STAINLESS STEEL

CODIGO 74392, 74392CL090, 74392CL129, 74392CL144, 74392CLSS

DESCRIÇÃO: PLACA DECORATIVA NICHOS LUMIPLUS FLEXIMINI



PORTUGUES

POS	CODIGO	DESCRIÇÃO	JANTIDADE	POS	CODIGO	DESCRIÇÃO	JANTIDADE
1	* 4403010183	ARO DECORATIVO PROJETOR		1	* 4403010187	ARO DECORATIVO PROJETOR	
1	* 4403010184	ARO DECORATIVO PROJETOR		2	4403010188	ADAPTADOR NICHOS	
1	* 4403010185	ARO DECORATIVO PROJETOR		3	4403015305	JUNTA TÓRICA	
1	* 4403010186	ARO DECORATIVO PROJETOR					

CODIGO **74392, 74392CL090, 74392CL129, 74392CL144, 74392CLSS**

DESCRIÇÃO: PLACA DECORATIVA NICHOS LUMIPLUS FLEXIMINI

OBSERVAÇÕES

POS	CODIGO	OBSERVAÇÕES
1	* 4403010183	PARA: 74392 WHITE
1	* 4403010184	PARA: 74392CL090 BEIGE
1	* 4403010185	PARA: 74392CL129 GREY
1	* 4403010186	PARA: 74392CL144 ANTHRACITE
1	* 4403010187	PARA: 74392CLSS STAINLESS STEEL