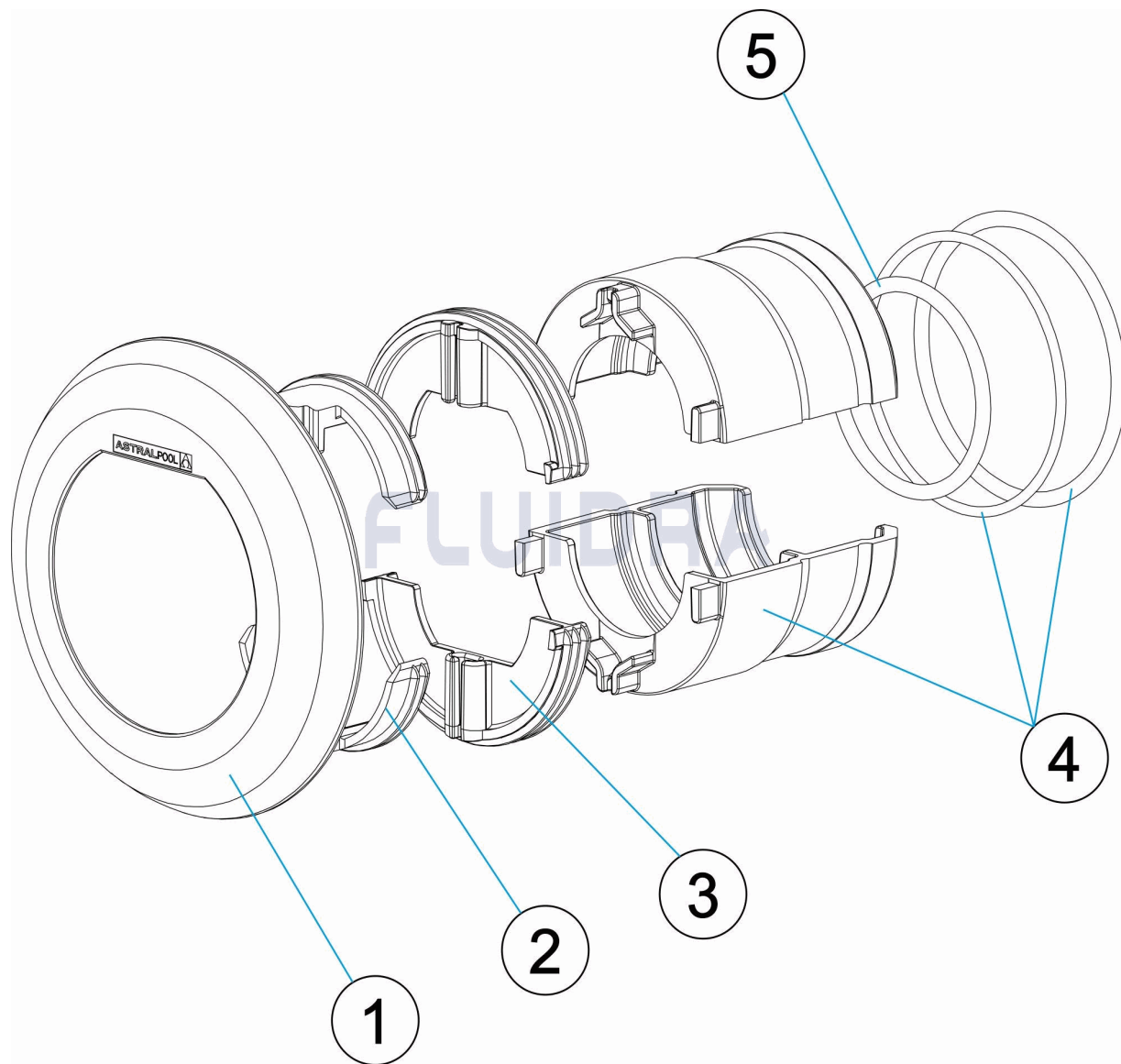


CODIGO 74395, 74395CL090, 74395CL129, 74395CL144, 74395CLSS

DESCRIPCION: EMBELLECEDOR TUBO LUMIPLUS FLEXIMINI



ESPAÑOL

POS	CODIGO	DESCRIPCION	CANTIDAD	POS	CODIGO	DESCRIPCION	CANTIDAD
1	* 4403010204	EMBELLECEDOR PROYECTOR		2	4403010194	DISTANCIADOR	
1	* 4403010205	EMBELLECEDOR PROYECTOR		3	4403010195	ADAPTADOR 1,5"	
1	* 4403010206	EMBELLECEDOR PROYECTOR		4	4403010209	ADAPTADOR DE TUBO 63MM	
1	* 4403010207	EMBELLECEDOR PROYECTOR		5	4403015305	JUNTA TORICA	
1	* 4403010208	EMBELLECEDOR PROYECTOR					

CODIGO 74395, 74395CL090, 74395CL129, 74395CL144, 74395CLSS

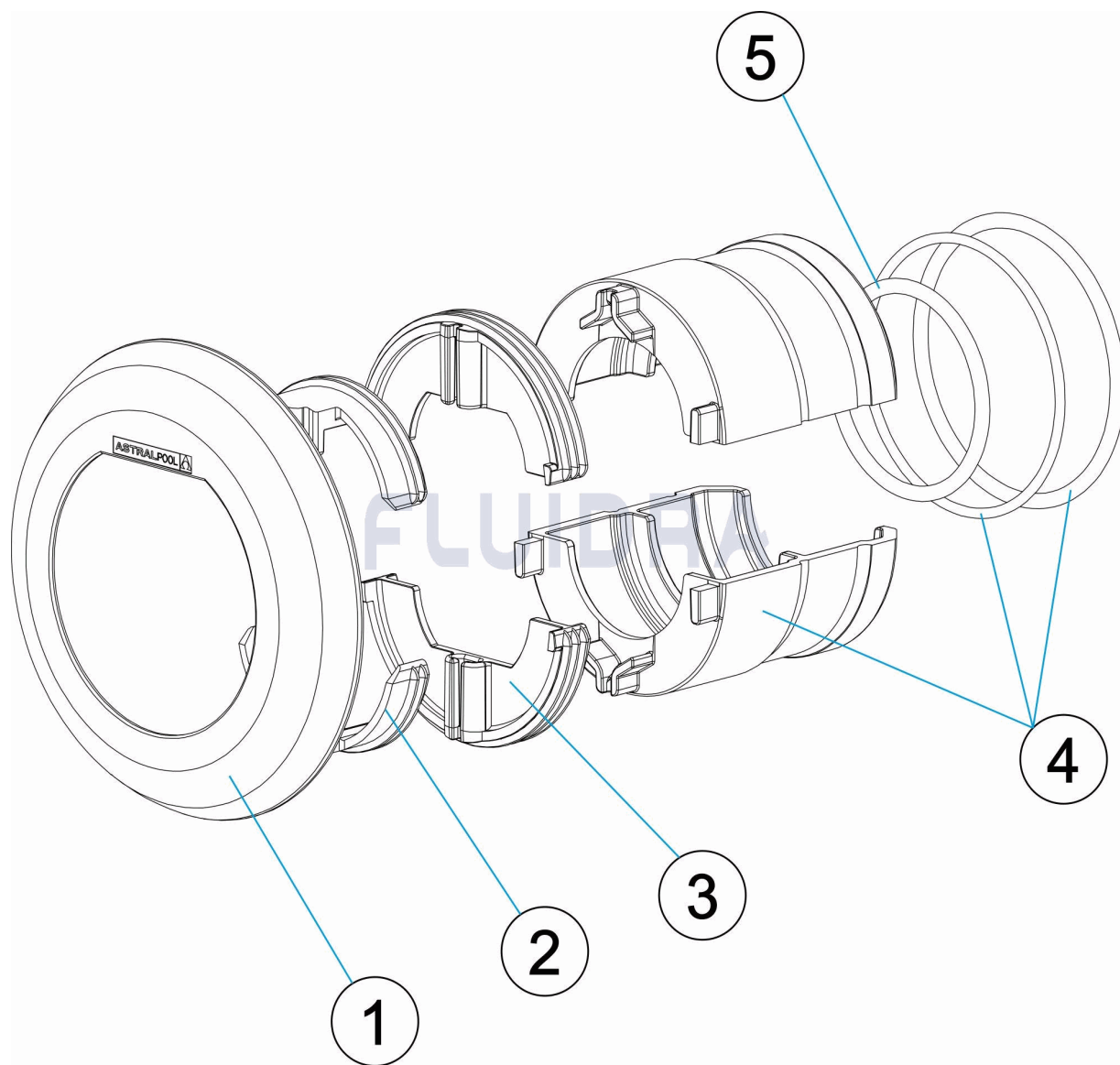
DESCRIPCION: EMBELLECEDOR TUBO LUMIPLUS FLEXIMINI

OBSERVACIONES

POS	CODIGO	OBSERVACIONES
1	* 4403010204	PARA: 74395 WHITE
1	* 4403010205	PARA: 74395CL090 BEIGE
1	* 4403010206	PARA: 74395CL129 GREY
1	* 4403010207	PARA: 74395CL144 ANTHRACITE
1	* 4403010208	PARA: 74395CLSS STAINLESS STEEL

CODE 74395, 74395CL090, 74395CL129, 74395CL144, 74395CLSS

DESCRIPTION: ENJOLIVEUR TUBE LUMIPLUS FLEXIMINI



FRANCAIS

POS	CODE	DESCRIPTION	QUANTITE	POS	CODE	DESCRIPTION	QUANTITE
1	* 4403010204	ENJOLIVEUR PROJECTEUR		2	4403010194	ESPACEUR	
1	* 4403010205	ENJOLIVEUR PROJECTEUR		3	4403010195	ADAPTATEUR 1,5"	
1	* 4403010206	ENJOLIVEUR PROJECTEUR		4	4403010209	ADAPTATEUR DE TUBE 63MM	
1	* 4403010207	ENJOLIVEUR PROJECTEUR		5	4403015305	JOINT TORIQUE	
1	* 4403010208	ENJOLIVEUR PROJECTEUR					

CODE **74395, 74395CL090, 74395CL129, 74395CL144, 74395CLSS**

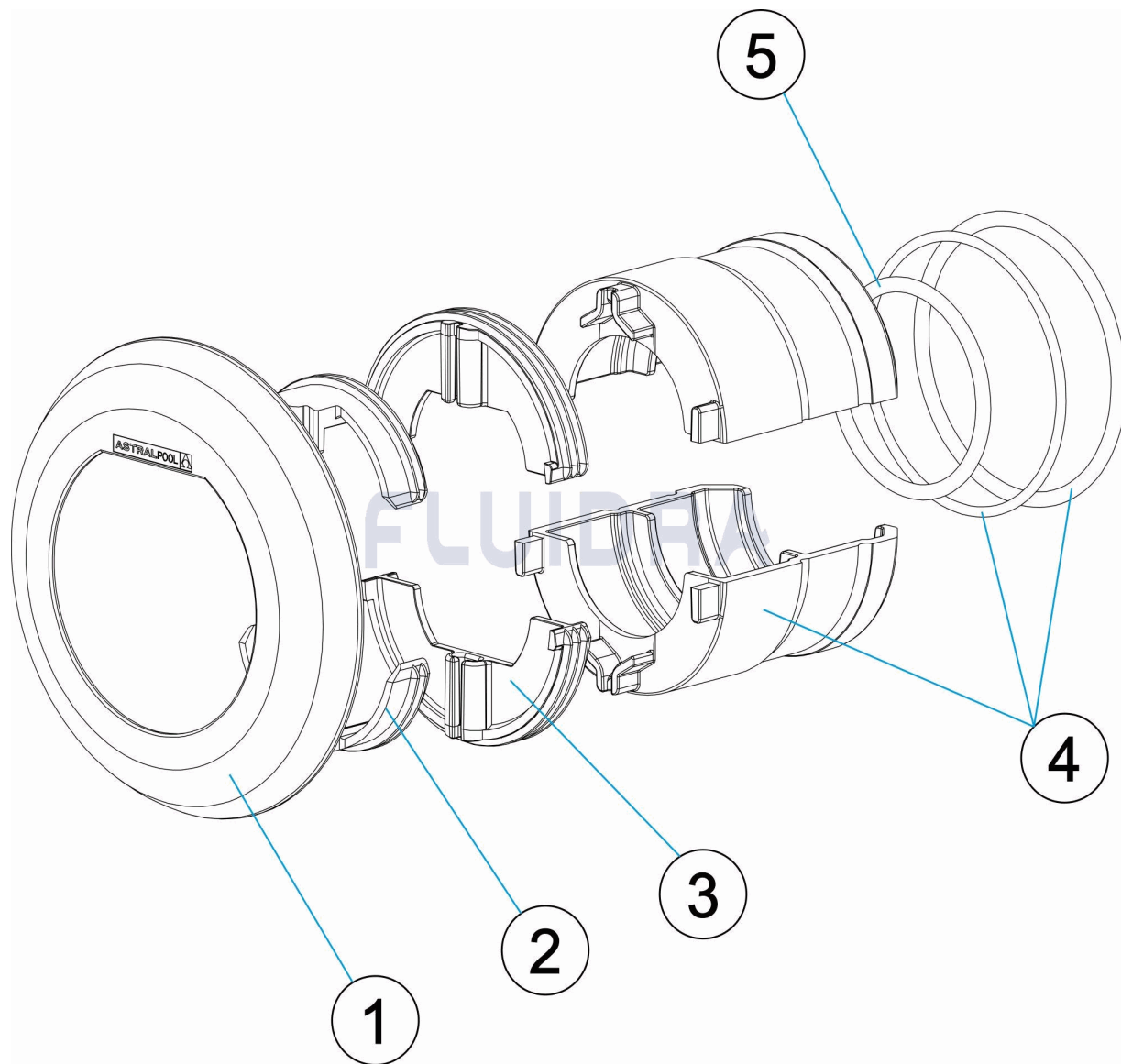
DESCRIPTION: **ENJOLIVEUR TUBE LUMIPLUS FLEXIMINI**

OBSERVATIONS

POS	CODE	OBSERVATIONS
1	* 4403010204	POUR: 74395 WHITE
1	* 4403010205	POUR: 74395CL090 BEIGE
1	* 4403010206	POUR: 74395CL129 GREY
1	* 4403010207	POUR: 74395CL144 ANTHRACITE
1	* 4403010208	POUR: 74395CLSS STAINLESS STEEL

CODE **74395, 74395CL090, 74395CL129, 74395CL144, 74395CLSS**

DESCRIPTION: **DECORATIVE RING FOR PIPE LUMIPLUS FLEXIMINI**



ENGLISH

POS	CODE	DESCRIPTION	QUANTITY	POS	CODE	DESCRIPTION	QUANTITY
1	* 4403010204	PROJECTOR TRIM		2	4403010194	SPACER	
1	* 4403010205	PROJECTOR TRIM		3	4403010195	1,5" ADAPTER	
1	* 4403010206	PROJECTOR TRIM		4	4403010209	PIPE ADAPTOR 63MM	
1	* 4403010207	PROJECTOR TRIM		5	4403015305	O' RING	
1	* 4403010208	PROJECTOR TRIM					

CODE **74395, 74395CL090, 74395CL129, 74395CL144, 74395CLSS**

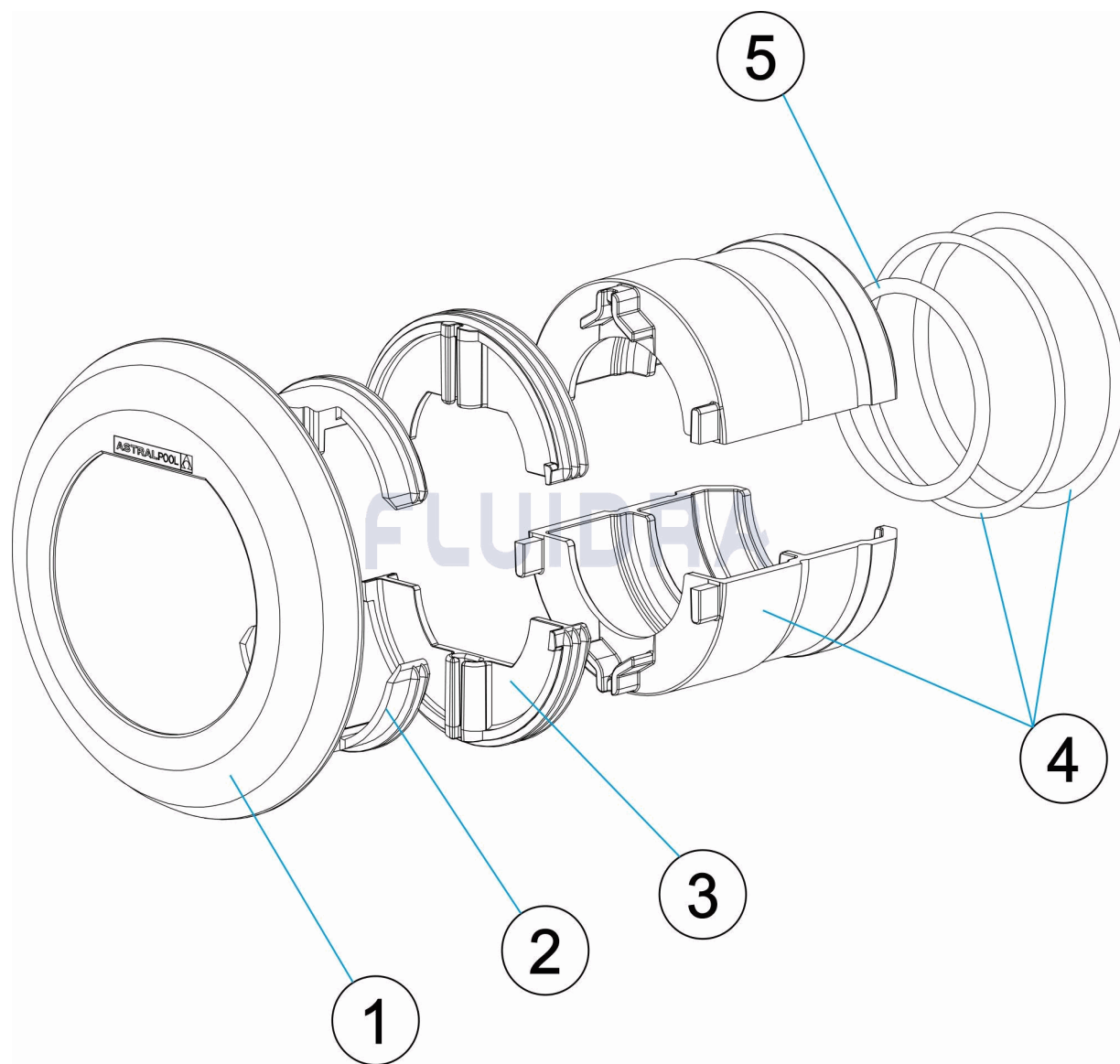
DESCRIPTION: **DECORATIVE RING FOR PIPE LUMIPLUS FLEXIMINI**

OBSERVATIONS

POS	CODE	OBSERVATIONS
1	* 4403010204	FOR: 74395 WHITE
1	* 4403010205	FOR: 74395CL090 BEIGE
1	* 4403010206	FOR: 74395CL129 GREY
1	* 4403010207	FOR: 74395CL144 ANTHRACITE
1	* 4403010208	FOR: 74395CLSS STAINLESS STEEL

CODICE 74395, 74395CL090, 74395CL129, 74395CL144, 74395CLSS

DESCRIZIONE: RIVESTIMENTO TUBO LUMIPLUS FLEXIMINI



ITALIANO

POS	CODICE	DESCRIZIONE	QUANTITA'	POS	CODICE	DESCRIZIONE	QUANTITA'
1	* 4403010204	RIFINITURA FARO		2	4403010194	DISTANZIATORE	
1	* 4403010205	RIFINITURA FARO		3	4403010195	ADATTATORE 1,5"	
1	* 4403010206	RIFINITURA FARO		4	4403010209	ADATTATORE TUBO 63MM	
1	* 4403010207	RIFINITURA FARO		5	4403015305	O-RING	
1	* 4403010208	RIFINITURA FARO					

CODICE **74395, 74395CL090, 74395CL129, 74395CL144, 74395CLSS**

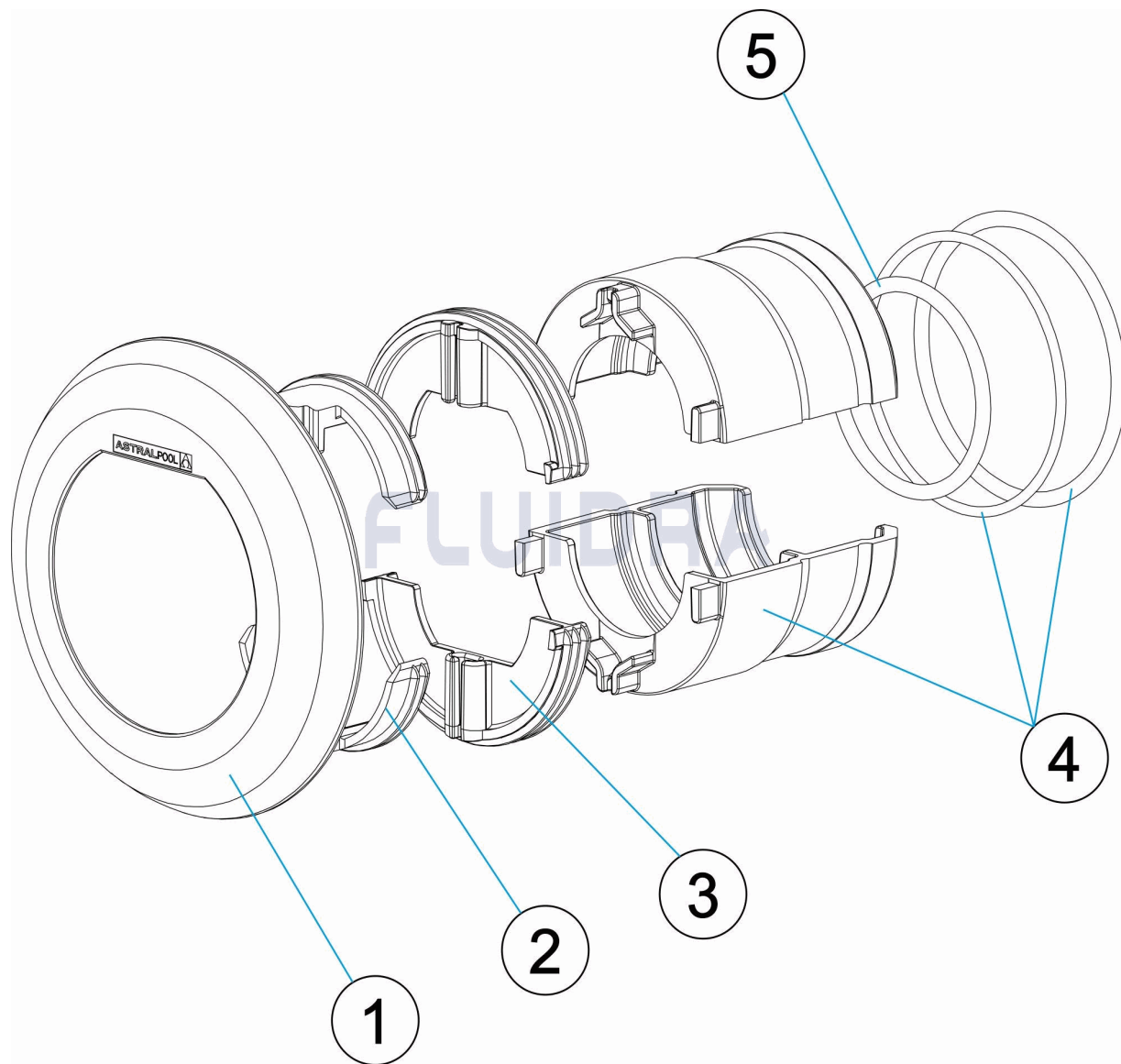
DESCRIZIONE: RIVESTIMENTO TUBO LUMIPLUS FLEXIMINI

OSSERVAZIONI

POS	CODICE	OSSERVAZIONI
1	* 4403010204	PER: 74395 WHITE
1	* 4403010205	PER: 74395CL090 BEIGE
1	* 4403010206	PER: 74395CL129 GREY
1	* 4403010207	PER: 74395CL144 ANTHRACITE
1	* 4403010208	PER: 74395CLSS STAINLESS STEEL

CODE 74395, 74395CL090, 74395CL129, 74395CL144, 74395CLSS

BESCHREIBUNG: **BLENDE ROHR LUMIPLUS FLEXIMINI**



DEUTSCH

POS	CODE	BESCHREIBUNG	MENGE	POS	CODE	BESCHREIBUNG	MENGE
1	* 4403010204	BLLENDE UWS		2	4403010194	DISTANZSTÜCK	
1	* 4403010205	BLLENDE UWS		3	4403010195	ADAPTER 1,5"	
1	* 4403010206	BLLENDE UWS		4	4403010209	TURBOADAPTER 63MM	
1	* 4403010207	BLLENDE UWS		5	4403015305	O-RING	
1	* 4403010208	BLLENDE UWS					

CODE **74395, 74395CL090, 74395CL129, 74395CL144, 74395CLSS**

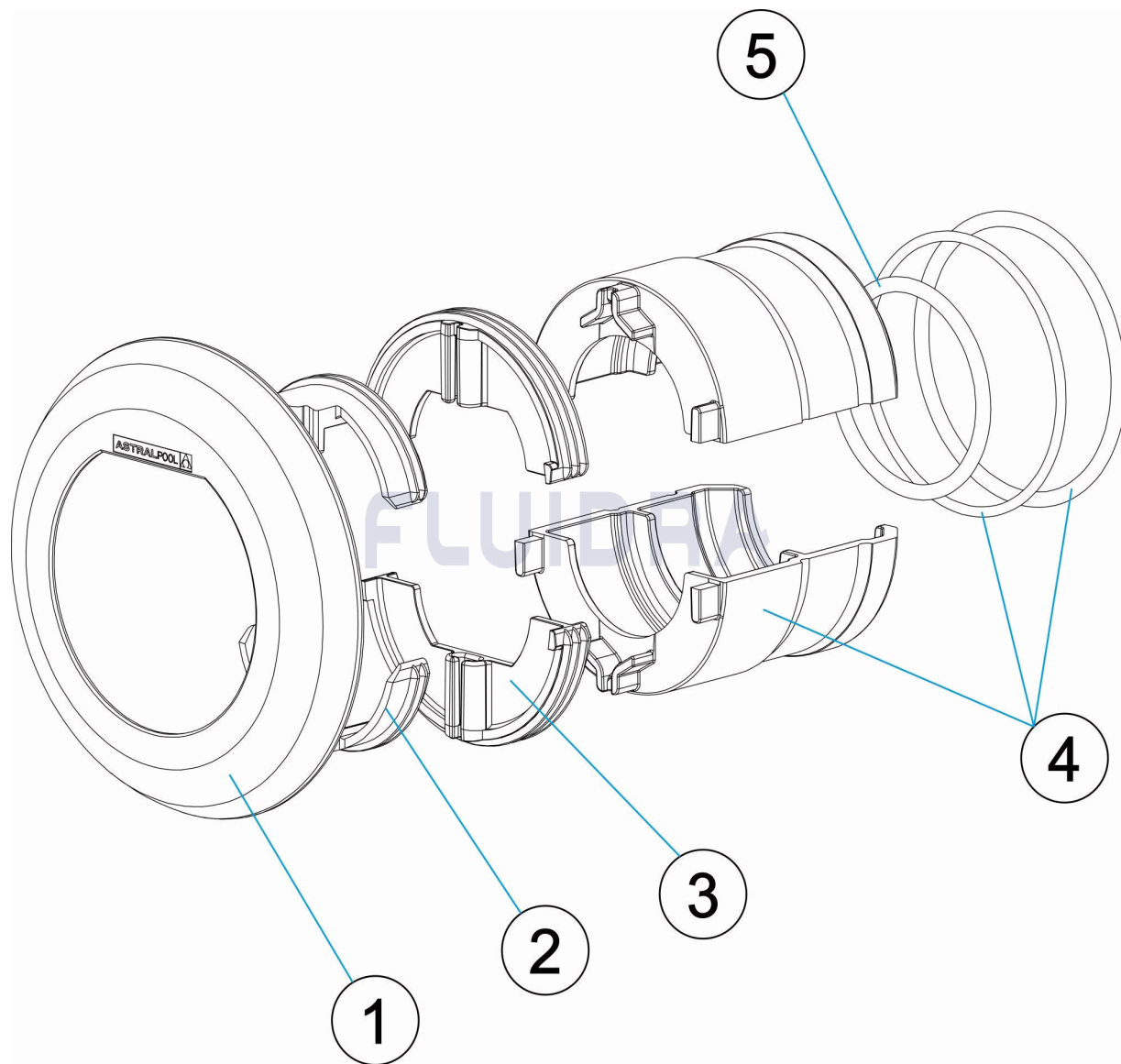
BESCHREIBUNG: **BLLENDE ROHR LUMIPLUS FLEXIMINI**

HINWEISE

POS	CODE	HINWEISE
1	* 4403010204	FÜR: 74395 WHITE
1	* 4403010205	FÜR: 74395CL090 BEIGE
1	* 4403010206	FÜR: 74395CL129 GREY
1	* 4403010207	FÜR: 74395CL144 ANTHRACITE
1	* 4403010208	FÜR: 74395CLSS STAINLESS STEEL

CODIGO 74395, 74395CL090, 74395CL129, 74395CL144, 74395CLSS

DESCRIÇÃO: PLACA DECORATIVA TUBO LUMIPLUS FLEXIMINI



PORTUGUES

POS	CODIGO	DESCRIÇÃO	JANTIDADE	POS	CODIGO	DESCRIÇÃO	JANTIDADE
1	* 4403010204	ARO DECORATIVO PROJETOR		2	4403010194	DISTANCIADOR	
1	* 4403010205	ARO DECORATIVO PROJETOR		3	4403010195	ADAPTADOR 1,5"	
1	* 4403010206	ARO DECORATIVO PROJETOR		4	4403010209	ADAPTADOR DE TUBO 63MM	
1	* 4403010207	ARO DECORATIVO PROJETOR		5	4403015305	JUNTA TÓRICA	
1	* 4403010208	ARO DECORATIVO PROJETOR					

CODIGO **74395, 74395CL090, 74395CL129, 74395CL144, 74395CLSS**

DESCRIÇÃO: PLACA DECORATIVA TUBO LUMIPLUS FLEXIMINI

OBSERVAÇÕES

POS	CODIGO	OBSERVAÇÕES
1	* 4403010204	PARA: 74395 WHITE
1	* 4403010205	PARA: 74395CL090 BEIGE
1	* 4403010206	PARA: 74395CL129 GREY
1	* 4403010207	PARA: 74395CL144 ANTHRACITE
1	* 4403010208	PARA: 74395CLSS STAINLESS STEEL