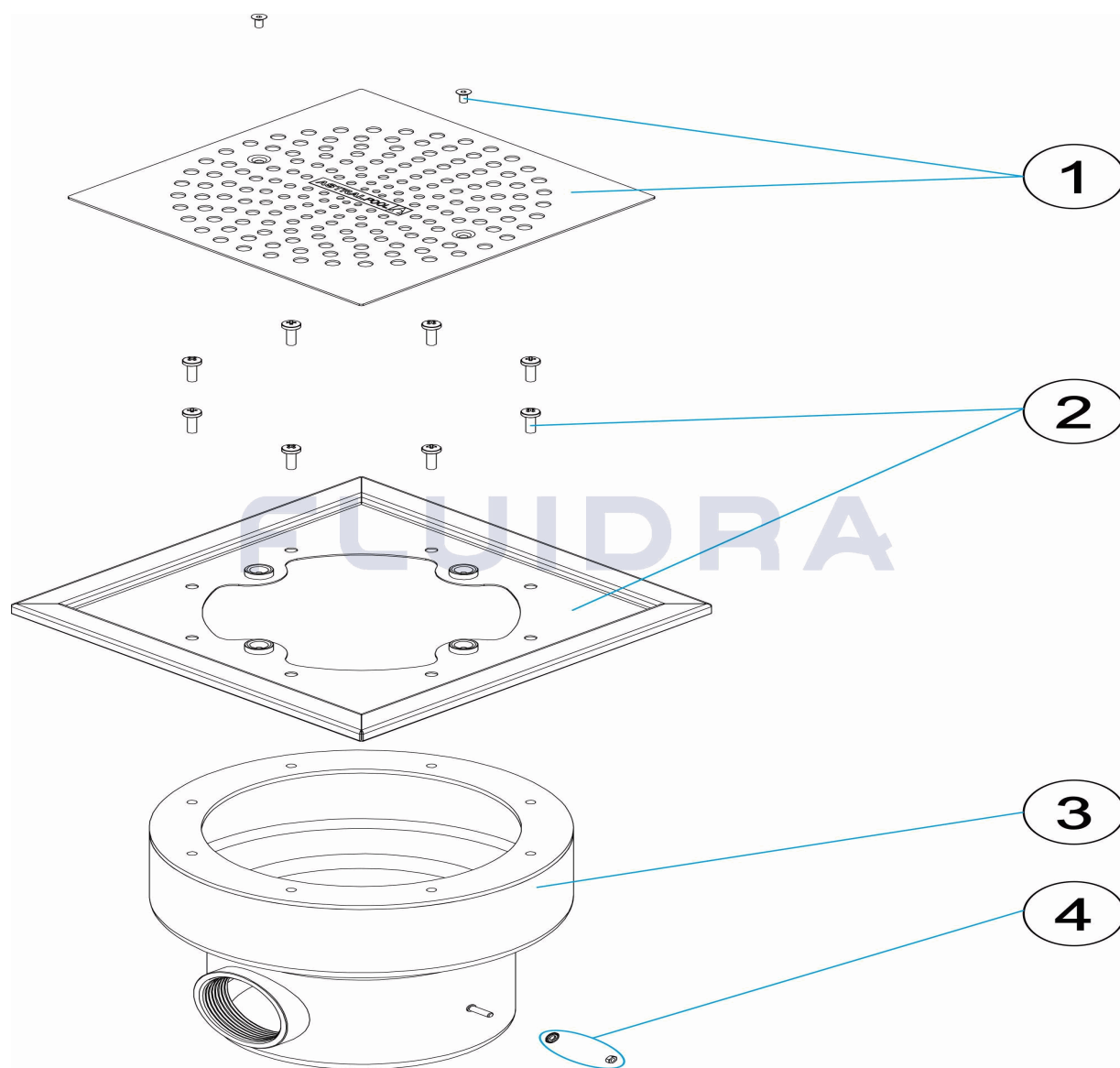


CODIGO **75183**

DESCRIPCION: **SUMIDERO 2" TAPA CUADRADA**

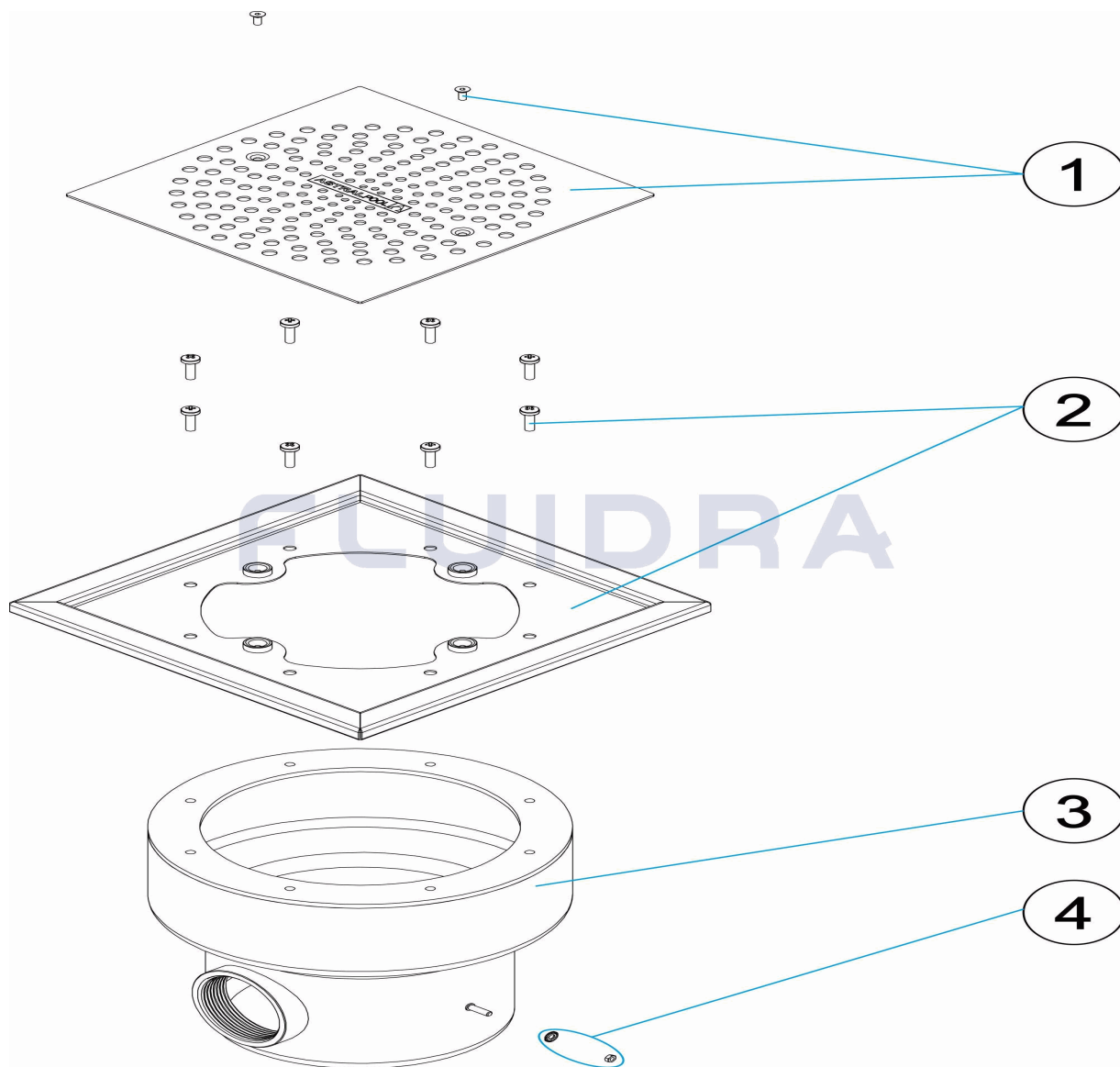


ESPAÑOL

| POS | CODIGO | DESCRIPCION | CANTIDAD | POS | CODIGO | DESCRIPCION | CANTIDAD |
|-----|------------|------------------|----------|-----|------------|-------------------------|----------|
| 1 | 4402020087 | REJILLA SUMIDERO | | 3 | 4402020082 | CJTO. CUERP SUMIDERO 2" | |
| 2 | 4402020088 | ARO EMBELLEDADOR | | 4 | 4402020071 | TOMA TIERRA | |

CODE 75183

DESCRIPTION: BUSE 2" COUVERCLE CARRÉ

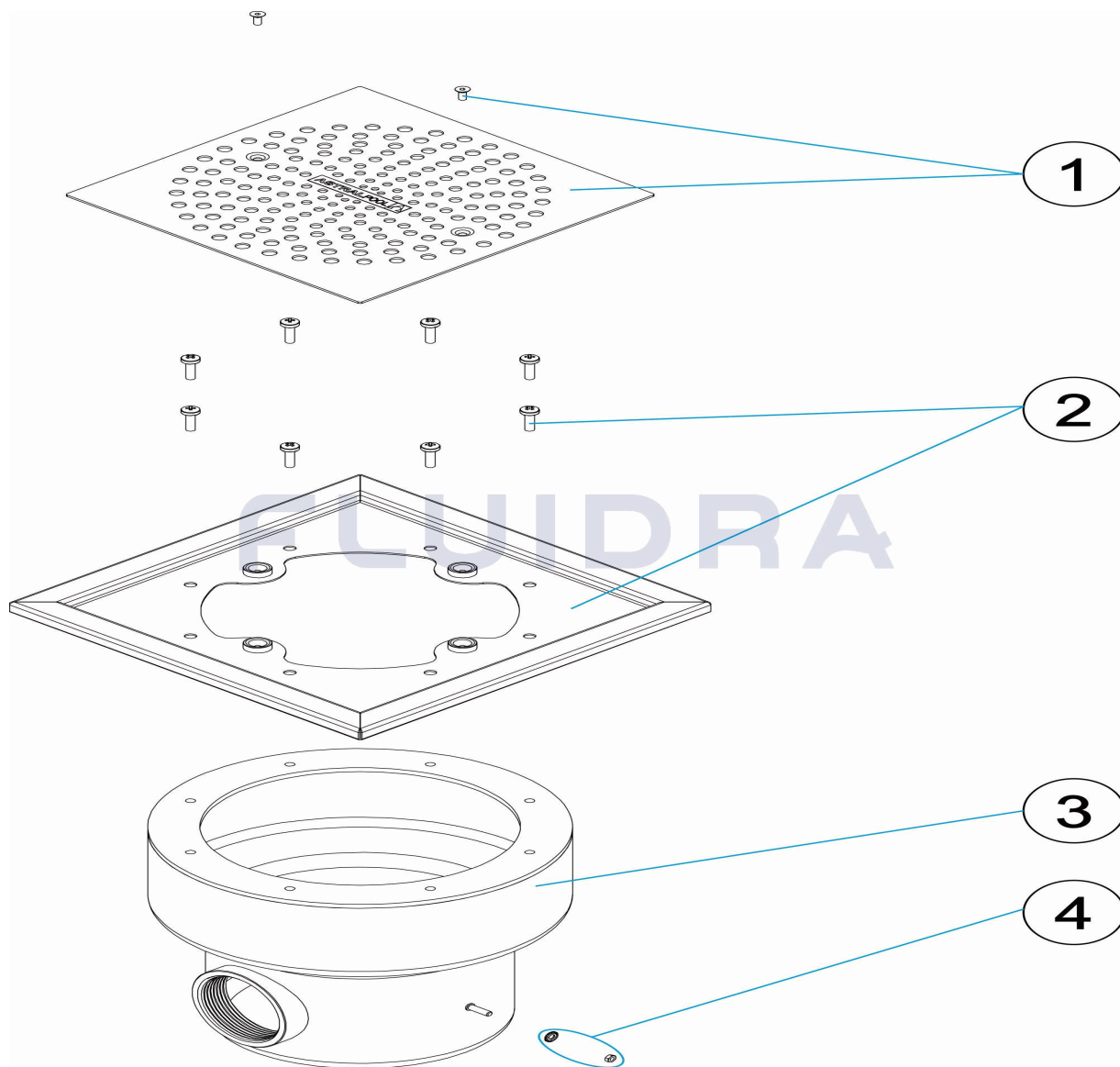


FRANCAIS

| POS | CODE | DESCRIPTION | QUANTITE | POS | CODE | DESCRIPTION | QUANTITE |
|-----|------------|--------------|----------|-----|------------|-------------------------------|----------|
| 1 | 4402020087 | GRILLE BONDE | | 3 | 4402020082 | ENSEMBLE DE CORPS DE DRAIN 2" | |
| 2 | 4402020088 | ENJOLIVEUR | | 4 | 4402020071 | PRISE DE TERRE | |

CODE **75183**

DESCRIPTION: **DRAIN 2" SQUARE COVER**

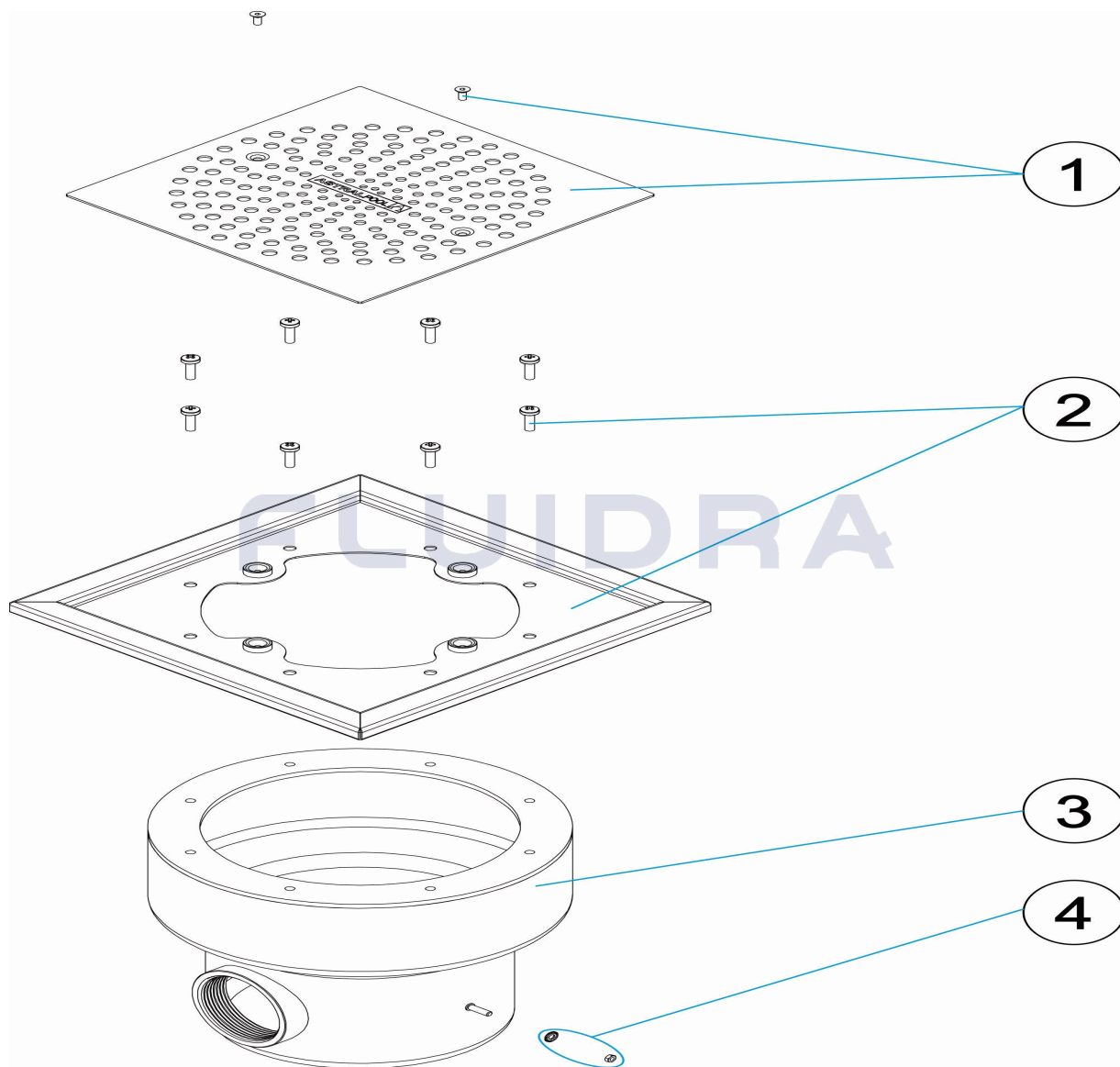


ENGLISH

| POS | CODE | DESCRIPTION | QUANTITY | POS | CODE | DESCRIPTION | QUANTITY |
|-----|------------|--------------|----------|-----|------------|-----------------------------|----------|
| 1 | 4402020087 | DRAIN GRILLE | | 3 | 4402020082 | MAIN DRAIN 2" BODY ASSEMBLY | |
| 2 | 4402020088 | FACEPLATE | | 4 | 4402020071 | EARTH CONNECTION | |

CODICE **75183**

DESCRIZIONE: **SCOLATOIO 2" COPERCHIO QUADRATO**

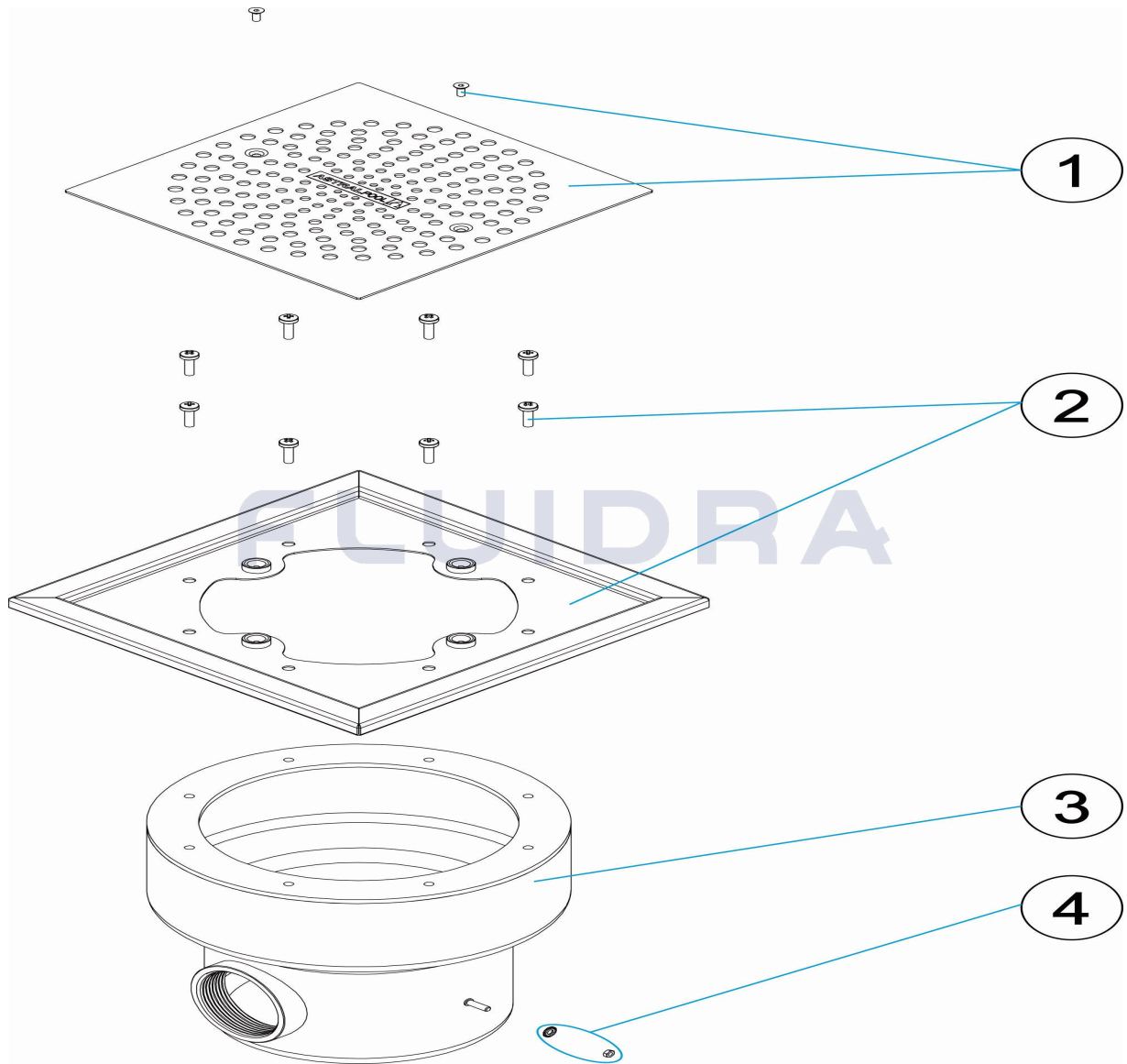


ITALIANO

| POS | CODICE | DESCRIZIONE | QUANTITA' | POS | CODICE | DESCRIZIONE | QUANTITA' |
|-----|------------|---------------|-----------|-----|------------|-------------------------|-----------|
| 1 | 4402020087 | GRIGLIA SCOLO | | 3 | 4402020082 | GRUPPO CORPO SCARICO 2" | |
| 2 | 4402020088 | COPRIFLANGIA | | 4 | 4402020071 | PRESA A TERRA | |

CODE **75183**

BESCHREIBUNG: **ABFLUSS 2" QUADRATISCHER DECKEL**

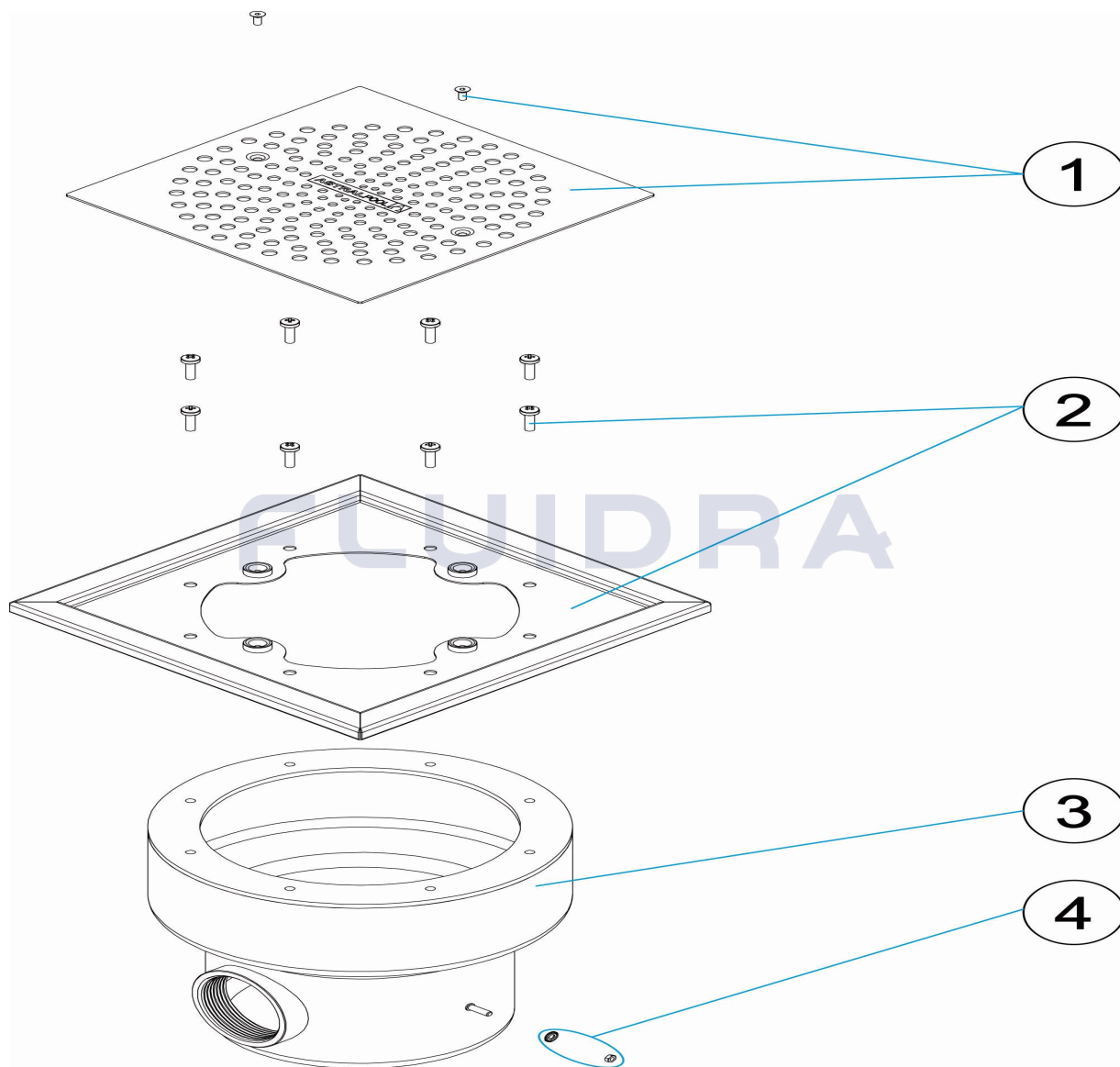


DEUTSCH

| POS | CODE | BESCHREIBUNG | MENGE | POS | CODE | BESCHREIBUNG | MENGE |
|-----|------------|---------------------------|-------|-----|------------|---------------------------------|-------|
| 1 | 4402020087 | SICHERHEITSGITTER ABFLUSS | | 3 | 4402020082 | HAUPTABLAUF 2" GEHÄUSEBAUGRUPPE | |
| 2 | 4402020088 | ZIERRING | | 4 | 4402020071 | ERDUNG | |

CODIGO 75183

DESCRIÇÃO: ESGOTO 2" TAMPA QUADRADA



PORTUGUES

| POS | CODIGO | DESCRIÇÃO | JANTIDADE | POS | CODIGO | DESCRIÇÃO | JANTIDADE |
|-----|------------|-----------------|-----------|-----|------------|-------------------------------|-----------|
| 1 | 4402020087 | GRADE RALO | | 3 | 4402020082 | CONJUNTO DO CORPO DO DRENO 2" | |
| 2 | 4402020088 | ARO EMBELEZADOR | | 4 | 4402020071 | LIGAÇÃO A TERRA | |