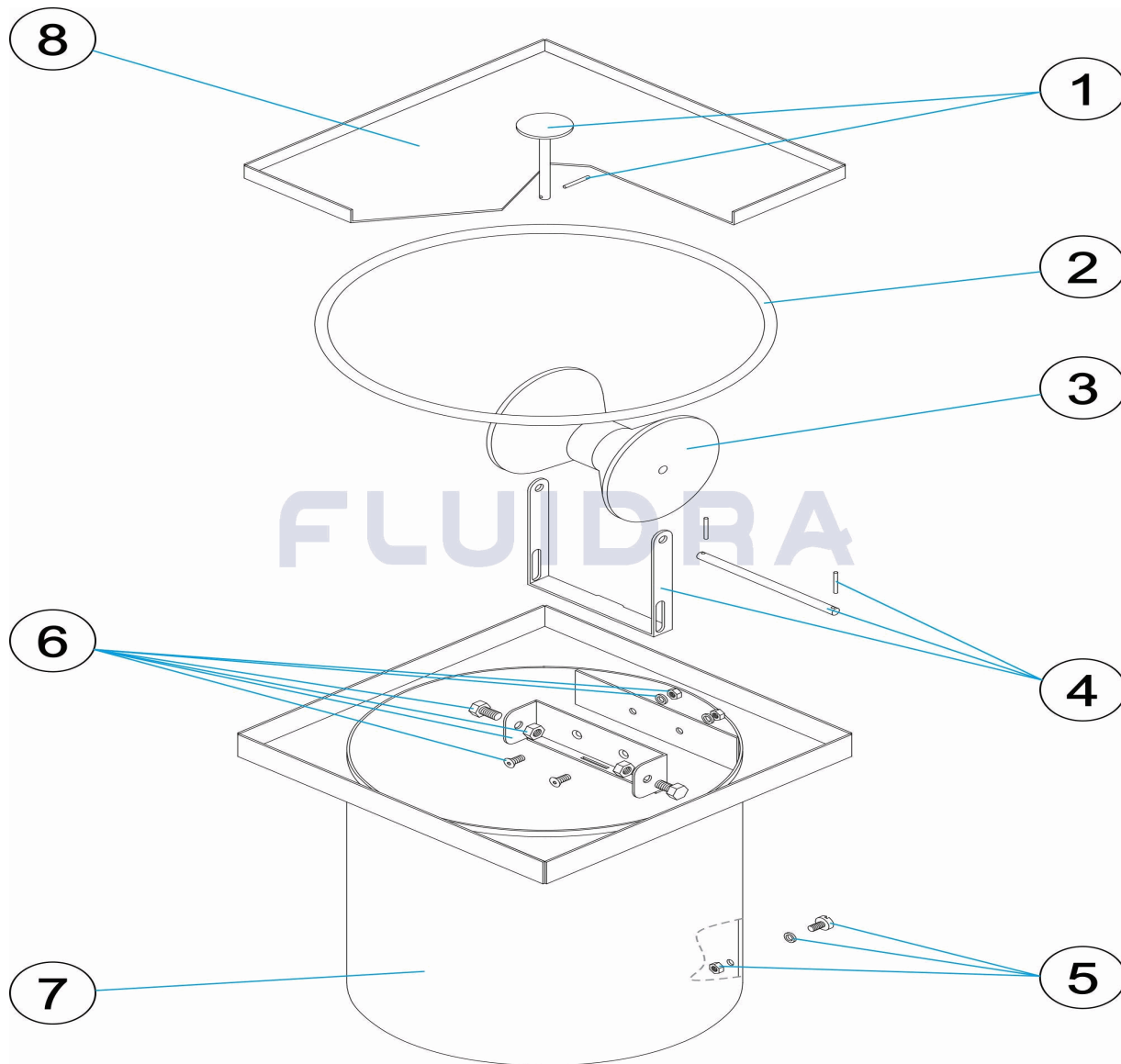


CODIGO **15842**

DESCRIPCION: **RECOGECORCHERA ESCAMOTEABLE**

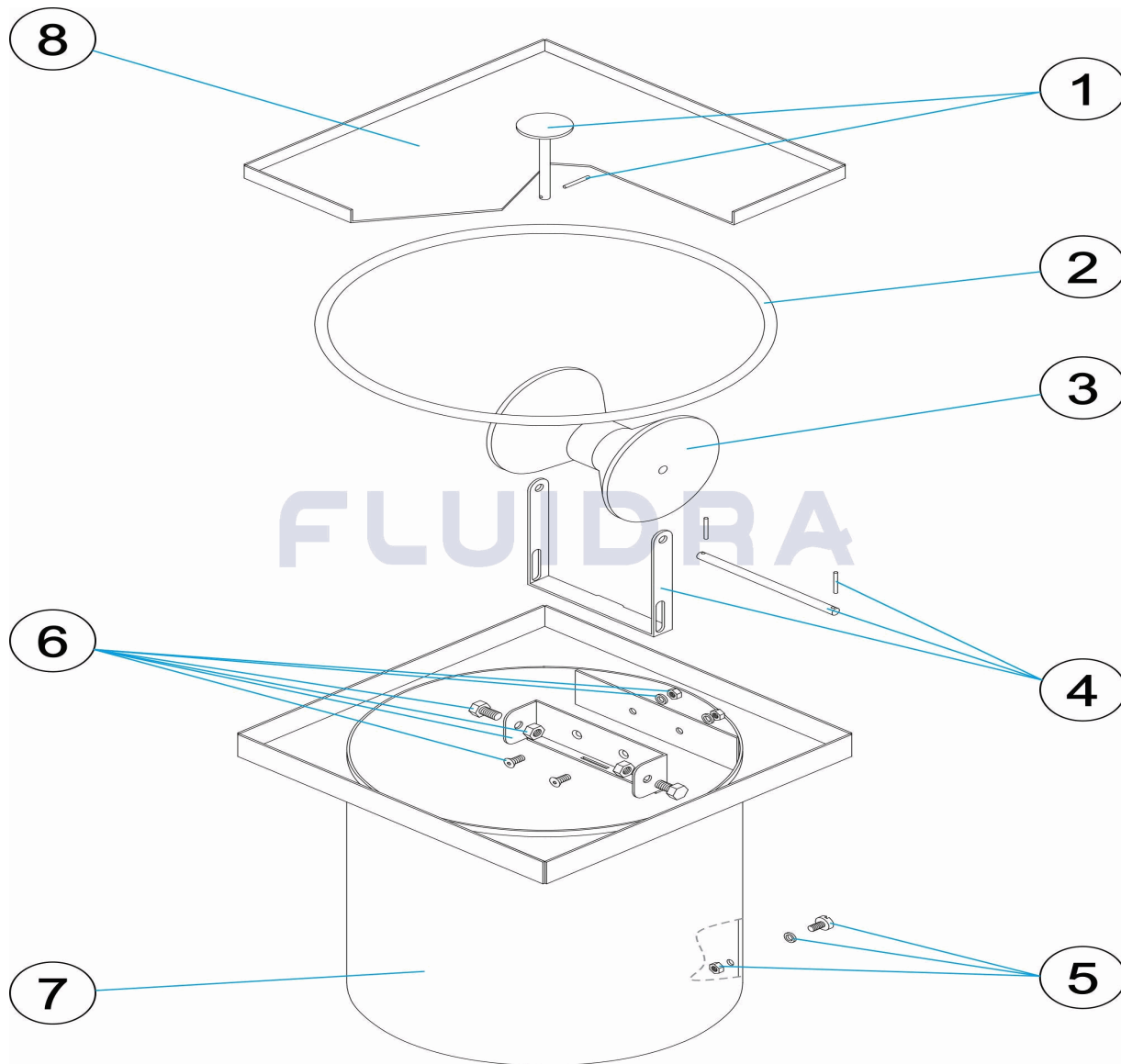


ESPAÑOL

POS	CODIGO	DESCRIPCION	CANTIDAD	POS	CODIGO	DESCRIPCION	CANTIDAD
1	4401080201	TIRADOR TAPA		5	4410010015	TOMA DE TIERRA	
2	4401080202	JUNTA TAPA		6	4401080205	SOPORTE BASCULANTE	
3	4401080203	RUEDA		7	15842R0100	CUERPO	
4	4401080204	SOPORTE RUEDA		8	15842R0002	TAPA	

CODE 15842

DESCRIPTION: RAMASSE-LIGNES ESCAMOTABLE

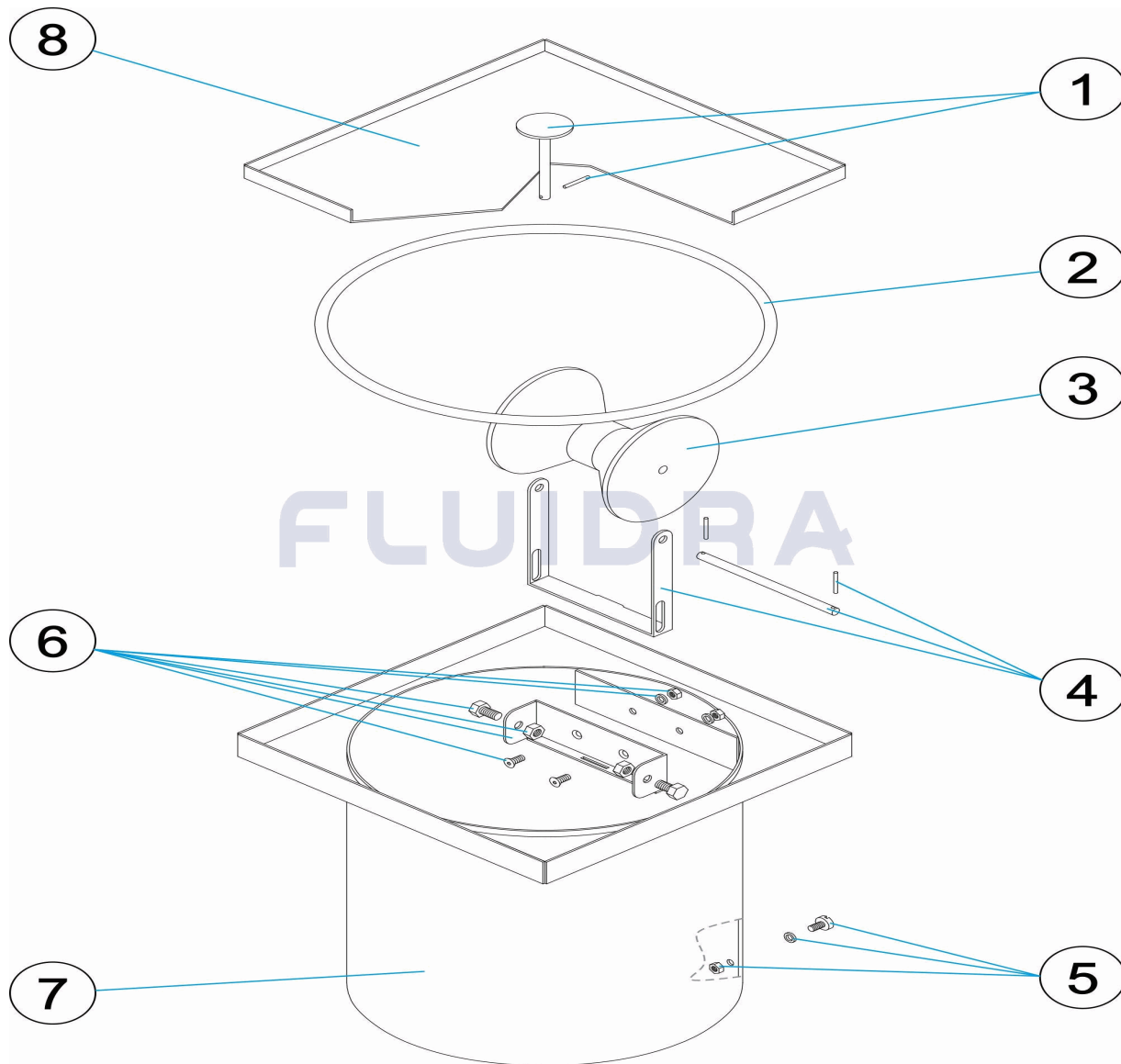


FRANCAIS

POS	CODE	DESCRIPTION	QUANTITE	POS	CODE	DESCRIPTION	QUANTITE
1	4401080201	BOUTON COUVERCLE	5	4410010015	PRISE DE TERRE		
2	4401080202	JOINT DE COUVERCLE	6	4401080205	SUPPORT BASCULANT		
3	4401080203	ROUE	7	15842R0100	CORPS		
4	4401080204	SUPPORT ROUE	8	15842R0002	BOUCHON		

CODE **15842**

DESCRIPTION: **RETRACTABLE LINE STORAGE SYSTEM**

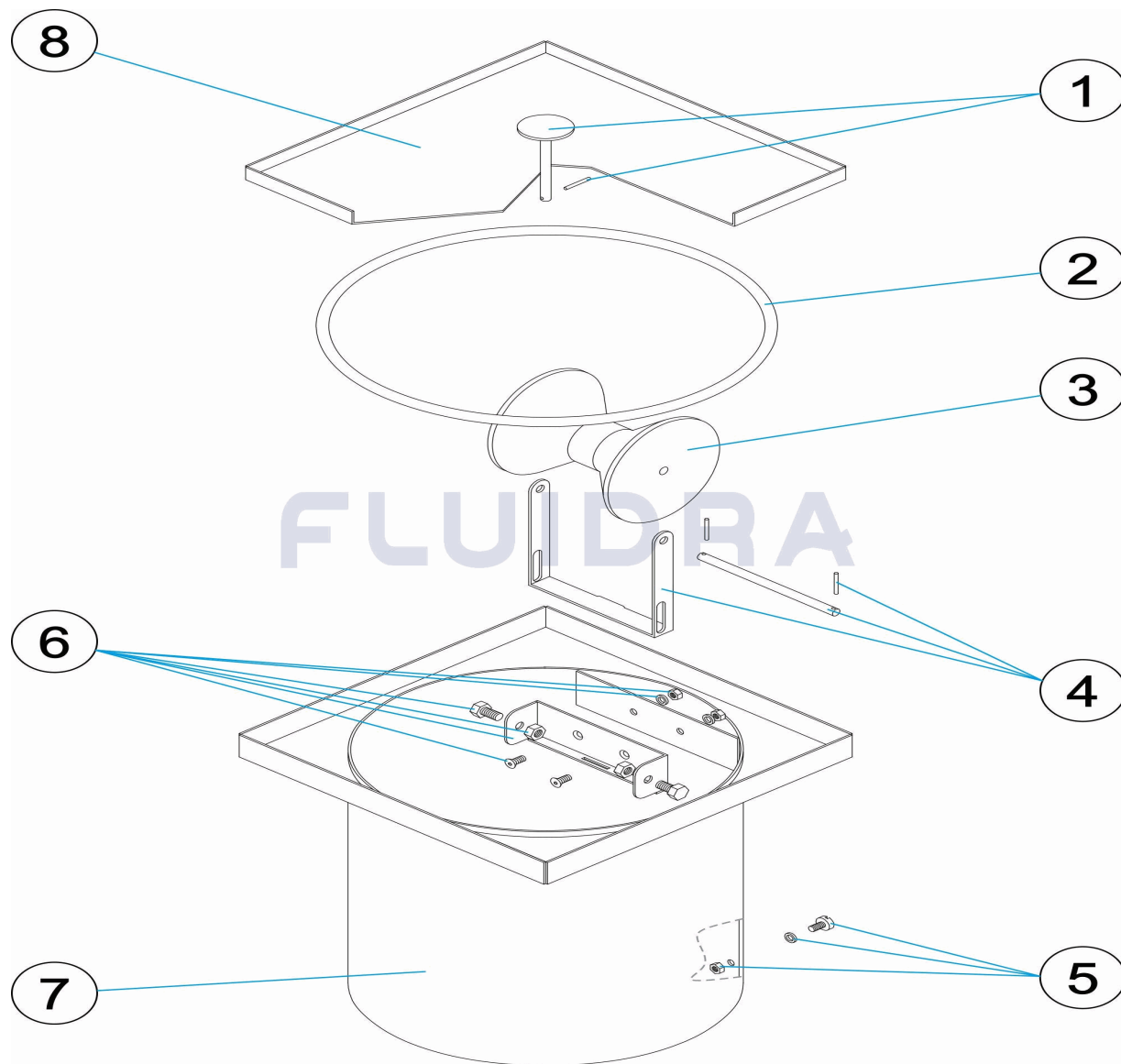


ENGLISH

POS	CODE	DESCRIPTION	QUANTITY	POS	CODE	DESCRIPTION	QUANTITY
1	4401080201	LID PULL		5	4410010015	EARTH CONNECTION	
2	4401080202	LID GASKET		6	4401080205	SWIVEL SUPPORT	
3	4401080203	WHEEL		7	15842R0100	BODY	
4	4401080204	WHEEL SUPPORT		8	15842R0002	COVER	

CODICE 15842

DESCRIZIONE: RACCOGLI-GALLEGGIANTI A SCOMPARSA

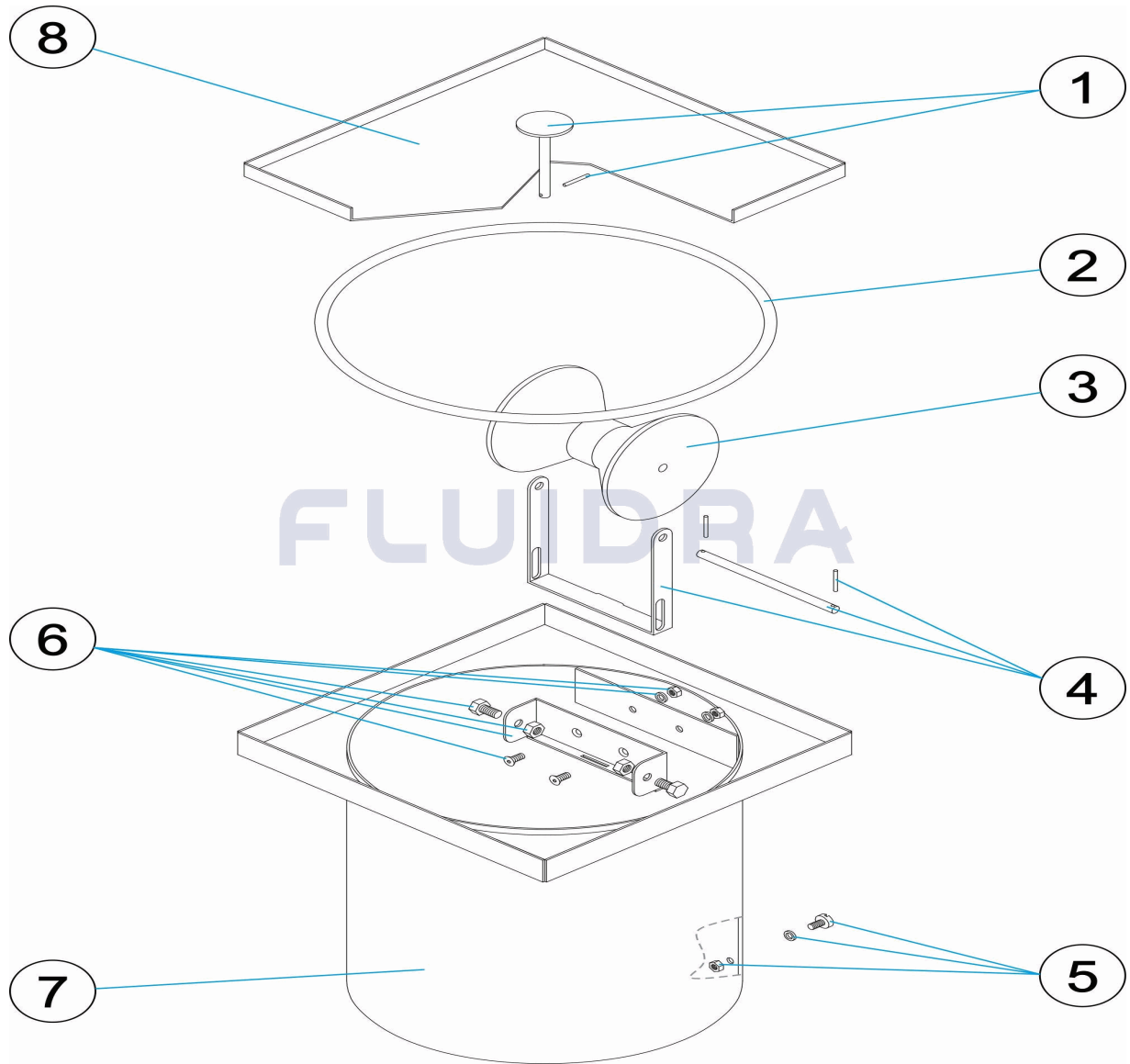


ITALIANO

POS	CODICE	DESCRIZIONE	QUANTITA'	POS	CODICE	DESCRIZIONE	QUANTITA'
1	4401080201	TIRANTE COPERCHIO		5	4410010015	PRESA A TERRA	
2	4401080202	GUARNIZIONE COPERCHIO		6	4401080205	SUPPORTO OSCILLANTE	
3	4401080203	RUOTA		7	15842R0100	CORPO	
4	4401080204	SUPPORTO RUOTA		8	15842R0002	TAPPO	

CODE **15842**

BESCHREIBUNG: **AUSFAHRBAHRER SCHWIMMLEINENBEHÄLTER**

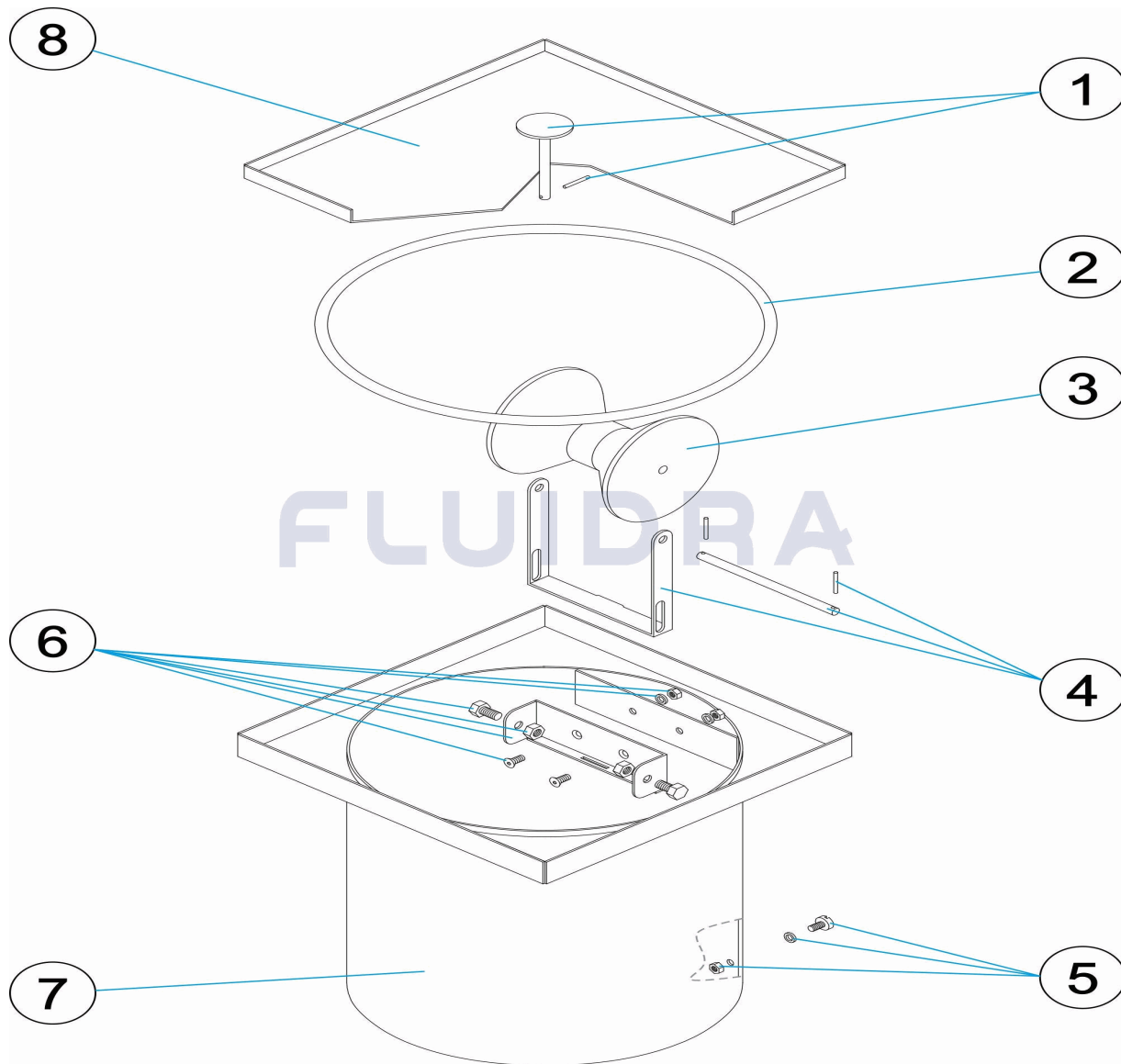


DEUTSCH

POS	CODE	BESCHREIBUNG	MENGE	POS	CODE	BESCHREIBUNG	MENGE
1	4401080201	KLINKE ABDECKUNG		5	4410010015	ERDUNG	
2	4401080202	DICHTUNG ABDECKUNG		6	4401080205	HALTERUNG KIPPBAR	
3	4401080203	RAD		7	15842R0100	GEHÄUSE	
4	4401080204	RADHALTERUNG		8	15842R0002	ABDECKUNG	

CODIGO **15842**

DESCRIÇÃO: **RECOLHE FLUTUADORES ESCAMOTEÁVEL**



PORTUGUES

POS	CODIGO	DESCRIÇÃO	JANTIDADE	POS	CODIGO	DESCRIÇÃO	JANTIDADE
1	4401080201	MANÍPULO TAMPA		5	4410010015	LIGAÇÃO A TERRA	
2	4401080202	JUNTA TAMPA		6	4401080205	SUPORTE BASCULANTE	
3	4401080203	RODA		7	15842R0100	CORPO	
4	4401080204	SUPORTE RODA		8	15842R0002	TAMPA	