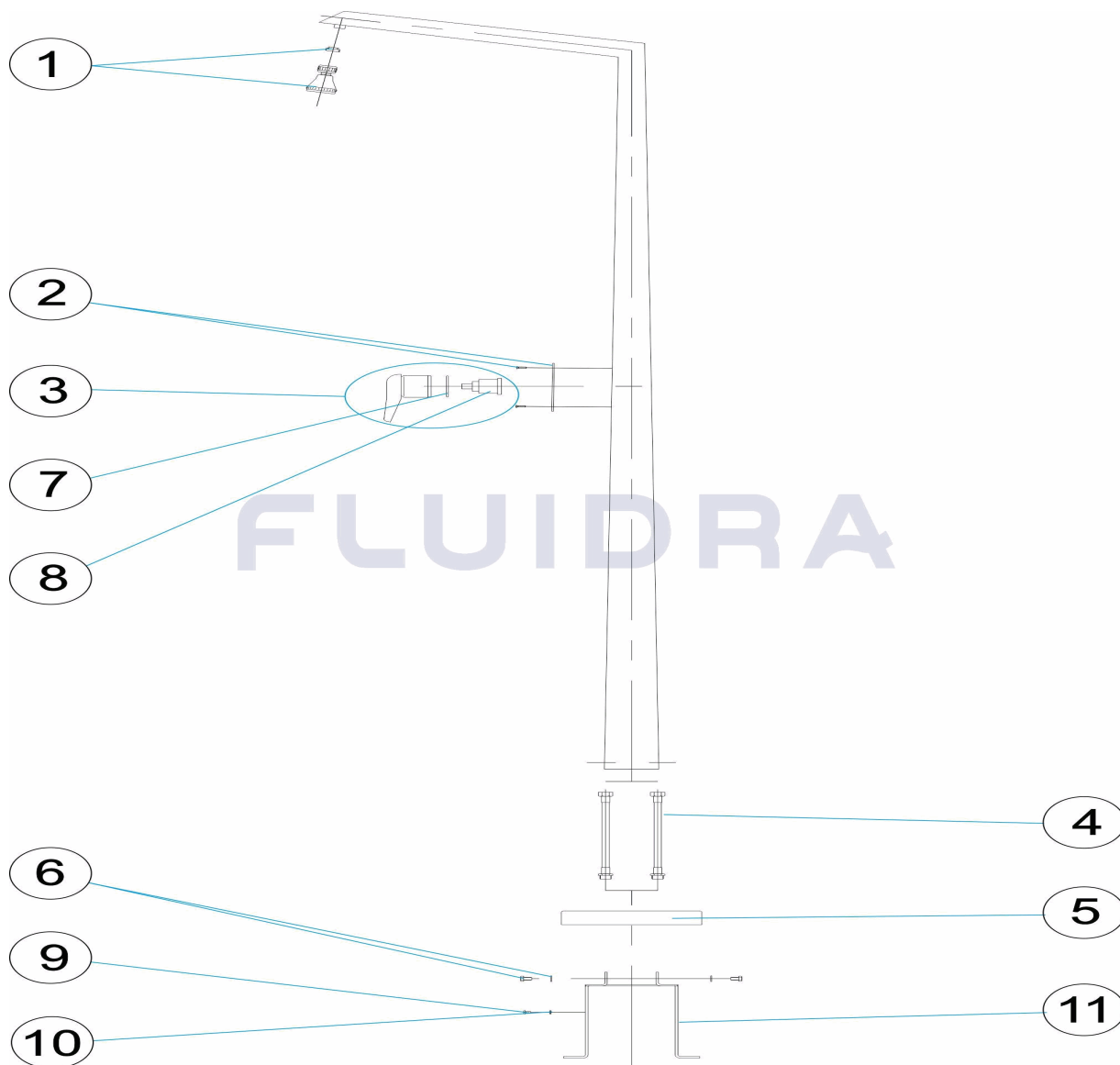


CODIGO **00090**

DESCRIPCION: **DUCHA MONOMANDO 1 ROCIADOR**

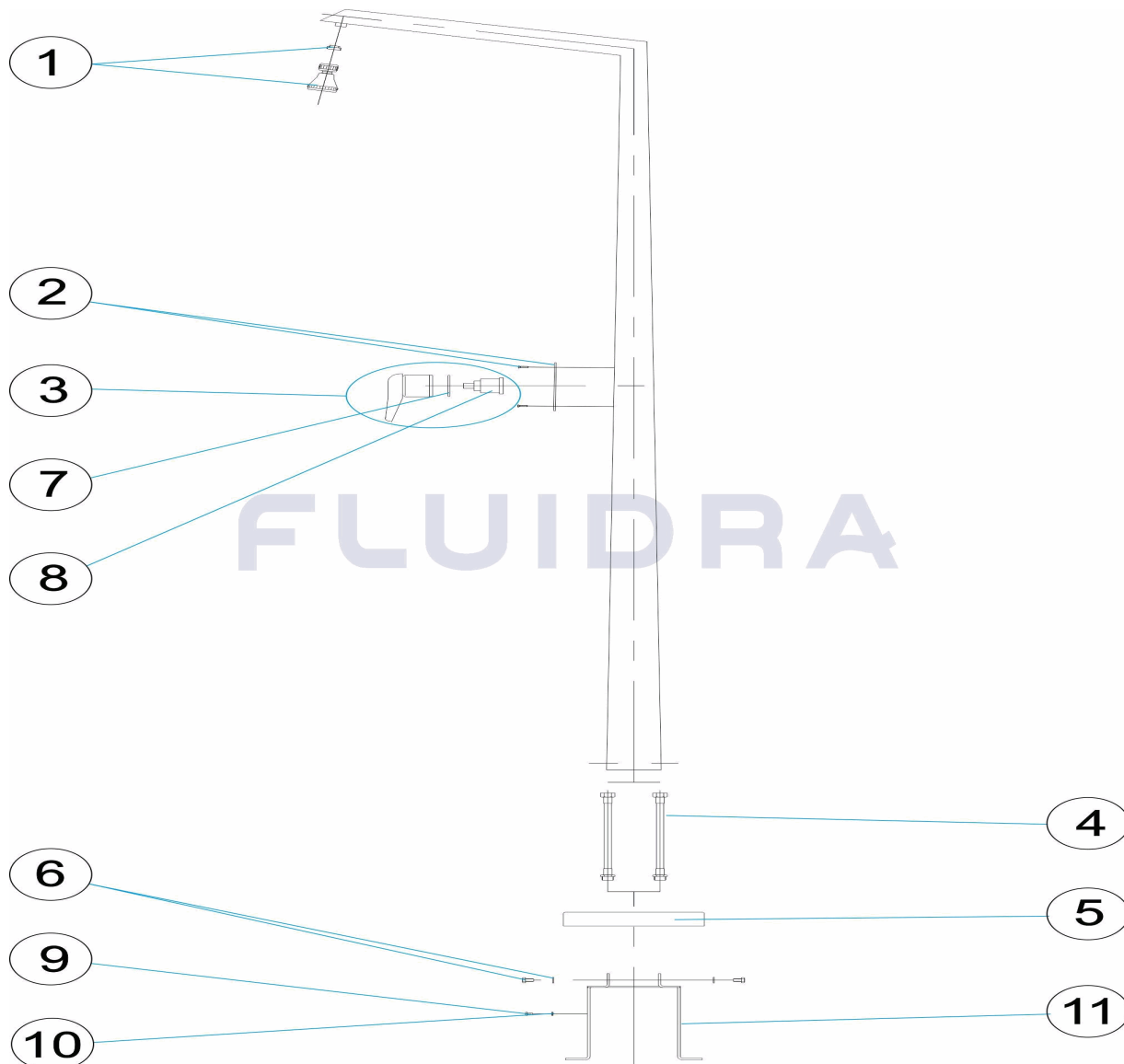


ESPAÑOL

POS	CODIGO	DESCRIPCION	CANTIDAD	POS	CODIGO	DESCRIPCION	CANTIDAD
1	4401040403	PIÑA DUCHA LATON		7	4401041309	JUNTA TORICA	
2	4401041302	PLETINA EMBELLECEDORA MONOMANDO		8	4401041304	CARTUCHO MONOMANDO	
3	4401041310	MONOMANDO		9	70106R05010	TORNILLO DIN-85 M5X10	
4	4401041305	FLEXO M-H 1/2"		10	70118R05000	ARANDELA 5 DIN-6798 A	
5	4401041306	TAPA EMBELLECEDORA		11	00090R0200	ANCLAJE	
6	4401041307	TORNILLERIA ANCLAJE DUCHA					

CODE **00090**

DESCRIPTION: **DOUCHE MITIGEUR 1 POMMEAU**

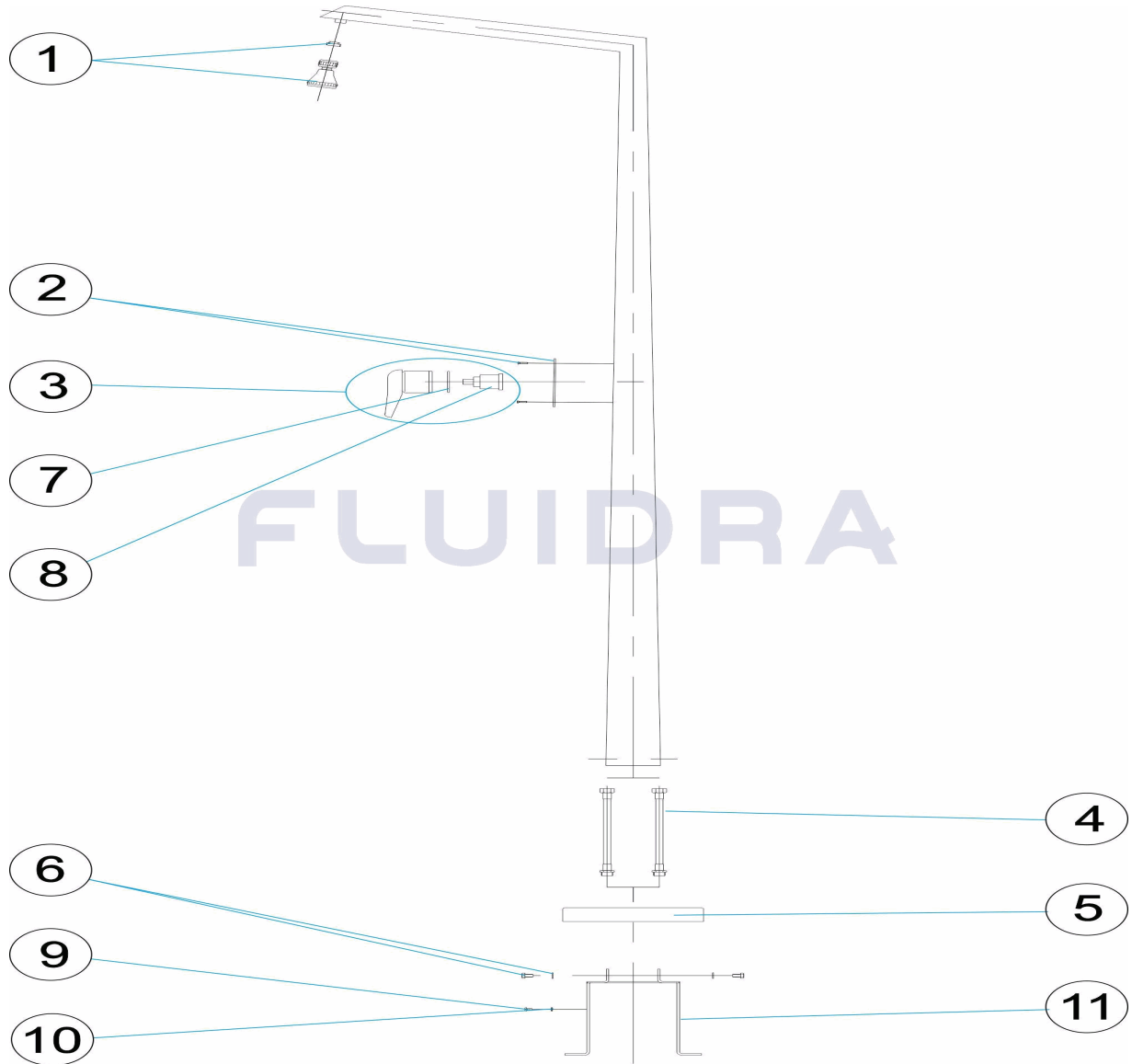


FRANCAIS

POS	CODE	DESCRIPTION	QUANTITE	POS	CODE	DESCRIPTION	QUANTITE
1	4401040403	POMMEAU DE DOUCHE LAITON		7	4401041309	JOINT TORIQUE	
2	4401041302	PLATINE ENJOLIVEUSE MONOCOMMANDE		8	4401041304	CARTOUCHE MONOCOMMANDE	
3	4401041310	MONOCOMMANDE		9	70106R05010	VIS M-5X10 DIN 84	
4	4401041305	FLEXIBLE M-H 1/2"		10	70118R05000	RONDELLE D.5 DIN 6798 A	
5	4401041306	COUVERCLE ENJOLIVEUR		11	00090R0200	ANCRAGE	
6	4401041307	VISSERIE ANCRAGE DOUCHE					

CODE **00090**

DESCRIPTION: **SHOWER SINGLE LEVER AND 1 SHOWER HEAD**

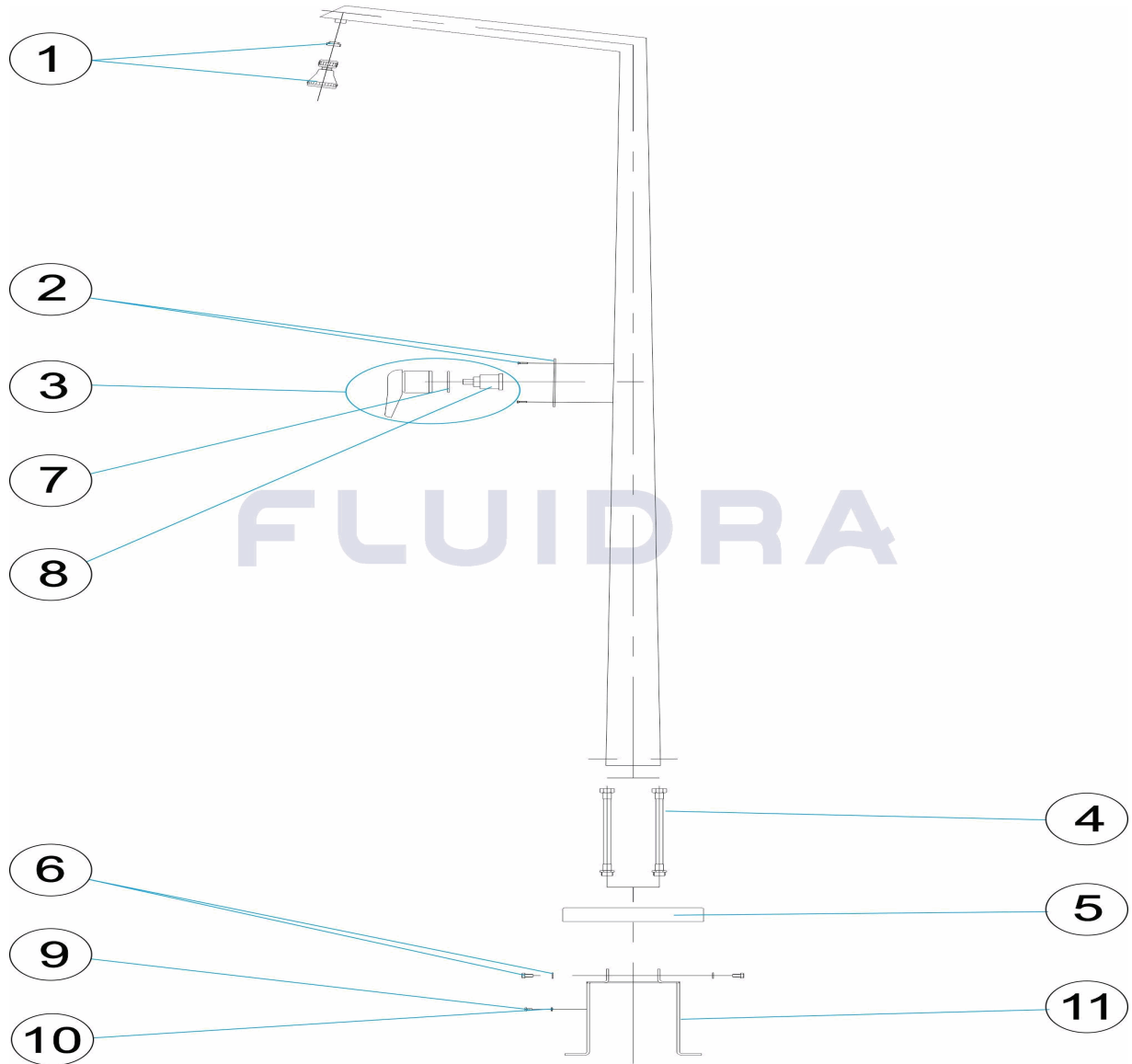


ENGLISH

POS	CODE	DESCRIPTION	QUANTITY	POS	CODE	DESCRIPTION	QUANTITY
1	4401040403	BRASS SHOWER HEAD		7	4401041309	O' RING	
2	4401041302	SINGLE-LEVER TRIM FLANGE		8	4401041304	SINGLE-LEVER CARTRIDGE	
3	4401041310	SINGLE-LEVER		9	70106R05010	SCREW M-5X10 DIN 85	
4	4401041305	FLEXIBLE HOSE M-F 1/2"		10	70118R05000	WASHER 5 DIN-6798 A	
5	4401041306	TRIM COVER		11	00090R0200	ANCHOR	
6	4401041307	SHOWER ANCHOR BOLTS					

CODICE **00090**

DESCRIZIONE: **DOCCIA MONOCOMANDO 1 SPRUZZATORE**

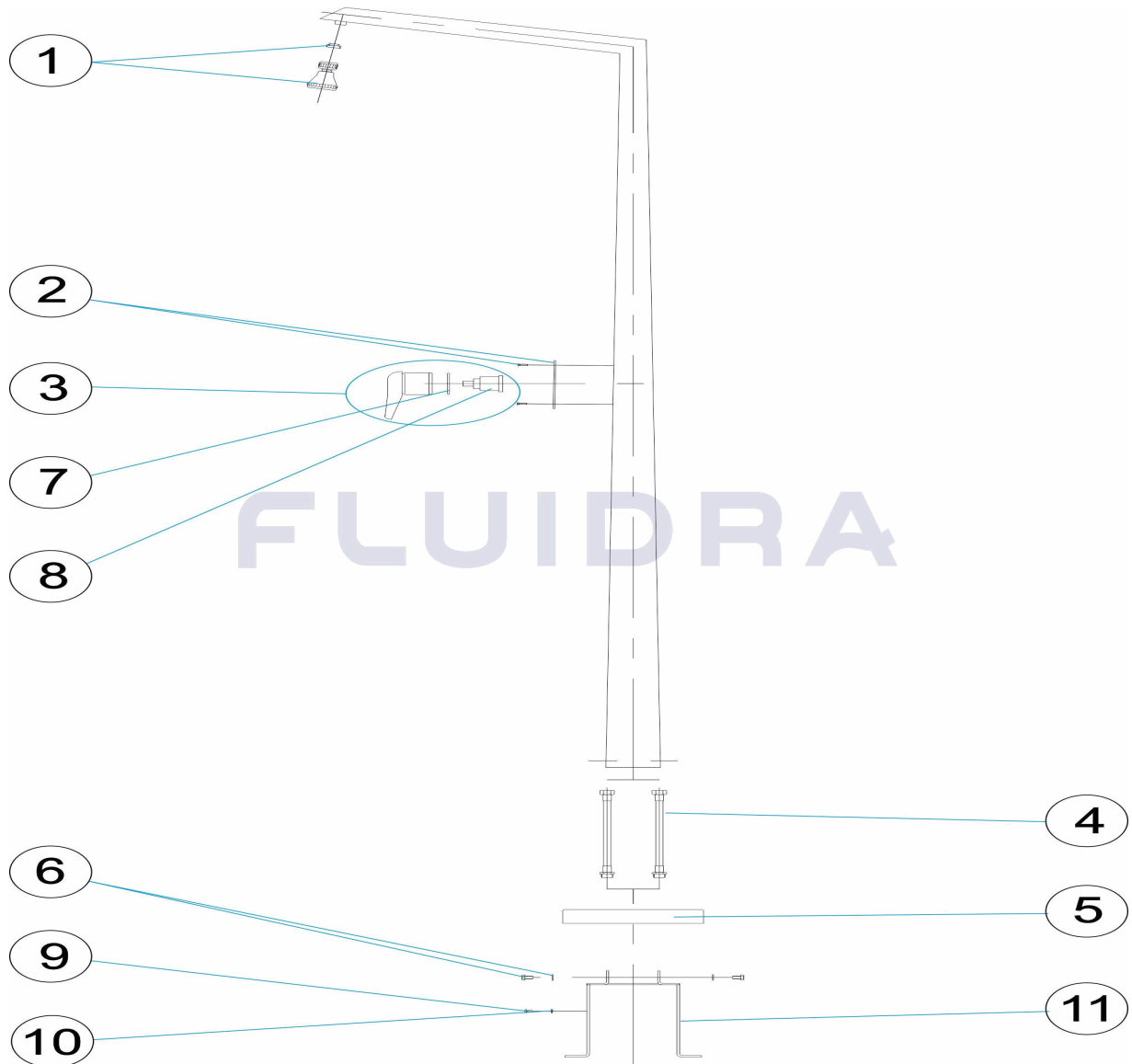


ITALIANO

POS	CODICE	DESCRIZIONE	QUANTITA'	POS	CODICE	DESCRIZIONE	QUANTITA'
1	4401040403	SOFFIONE DOCCIA OTTONE		7	4401041309	O-RING	
2	4401041302	PIASTRINA ORNAMENTALE MONOCOMANI		8	4401041304	CARTUCCIA MONOCOMANDO	
3	4401041310	MONOCOMANDO		9	70106R05010	VITE M-5X10 DIN 85	
4	4401041305	FLESSIBILE M-F 1/2"		10	70118R05000	GHIERA 5 DIN-6798	
5	4401041306	COPERCHIO ORNAMENTALE		11	00090R0200	ANCORAGGIO	
6	4401041307	BULLONERIA ANCORAGGIO DOCCIA					

CODE **00090**

BESCHREIBUNG: **DUSCHE EINHANDHEBEL 1 DUSCHKOPF**

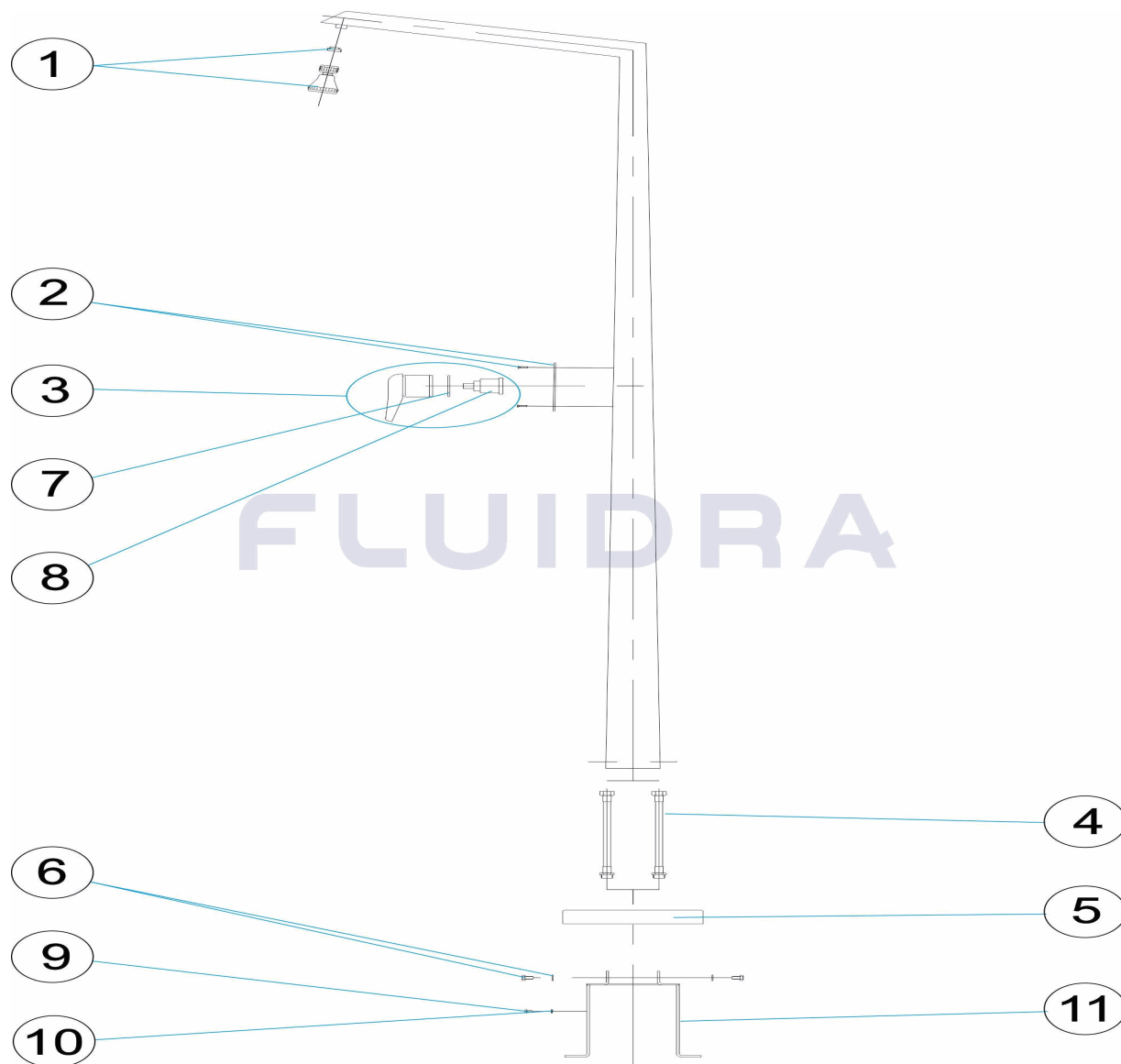


DEUTSCH

POS	CODE	BESCHREIBUNG	MENGE	POS	CODE	BESCHREIBUNG	MENGE
1	4401040403	DUSCHKOPF BLECH		7	4401041309	O-RING	
2	4401041302	PLATINE EINHANDHEBEL		8	4401041304	KARTUSCHE EINHANDHEBEL	
3	4401041310	EINHANDHEBEL		9	70106R05010	SCHRAUBE DIN-85 M5 X 10	
4	4401041305	FLEXSCHLAUCH NIPPEL - MUFFE 1/2"		10	70118R05000	UNTERLEGSCHIBE 5 DIN-6798 A	
5	4401041306	ZIERDECKEL		11	00090R0200	VERANKERUNG	
6	4401041307	SCHRAUBENSATZ DUSCHVERANKERUNG					

CODIGO **00090**

DESCRIÇÃO: **DUCHE MONOCOMANDO 1 DIFUSOR**



PORTUGUES

POS	CODIGO	DESCRIÇÃO	JANTIDADE	POS	CODIGO	DESCRIÇÃO	JANTIDADE
1	4401040403	REGADOR LATÃO		7	4401041309	JUNTA TÓRICA	
2	4401041302	BRAÇO EMBELEZEDOR MONOCOMANDO		8	4401041304	CARTUCHO MONOCOMANDO	
3	4401041310	MONOMANDO		9	70106R05010	PARAFUSO M-4X10 DIN 85	
4	4401041305	FLEXO M-H 1/2"		10	70118R05000	ANILHA 5 DIN-6798 A	
5	4401041306	TAMPA EMBELEZEDORA		11	00090R0200	ANCORAGEM	
6	4401041307	PARAFUSOS ANCORAGEM CHUVEIRO					