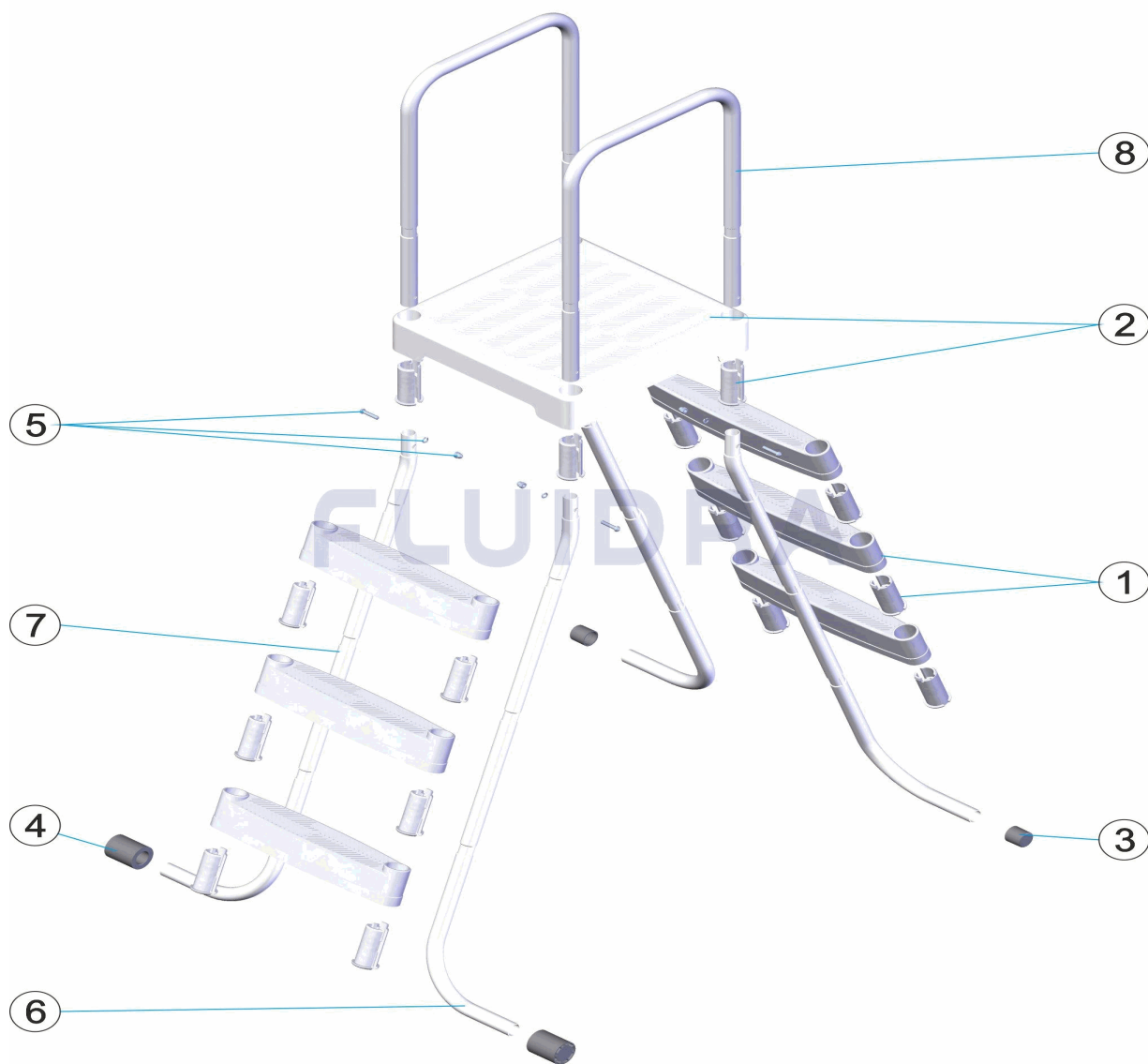


CODIGO **09914, 09915**

DESCRIPCION: **ESCALERA PISCINA ELEVADA**



ESPAÑOL

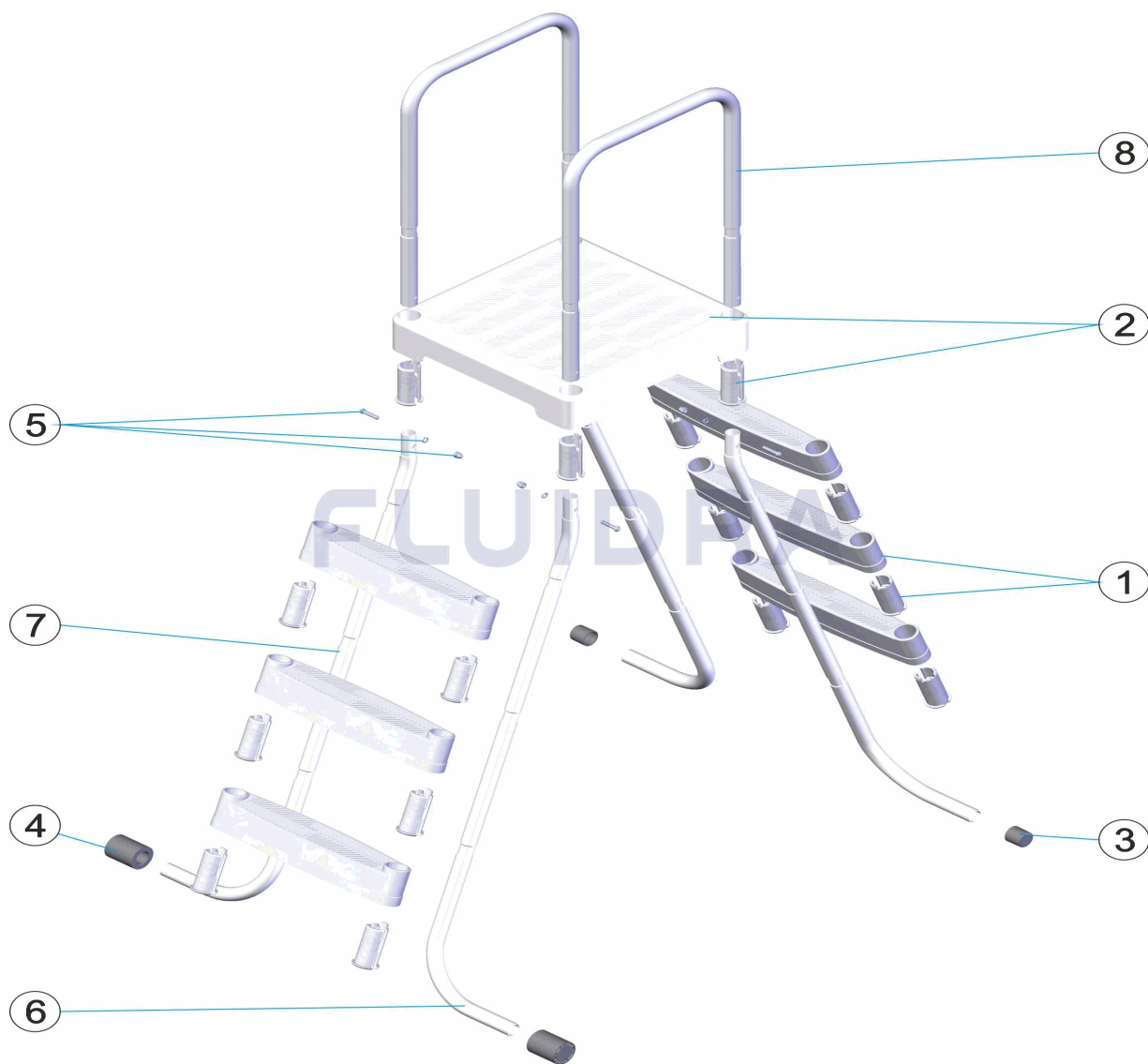
POS	CODIGO	DESCRIPCION	CANTIDAD	POS	CODIGO	DESCRIPCION	CANTIDAD
1	4411010201	PELDAÑO BLANCO 70 MM		6	* 09914R0006	PASAMANO ESCALERA 09914	
2	4411010202	PLATAFORMA BLANCA		6	* 09915R0001	PASAMANO ESCALERA 09915	
3	4411010203	TAPON PROTECTOR PEQUEÑO		7	* 09914R0007	PASAMANO ESCALERA 09914	
4	4411010204	TAPON PROTECTOR GOMA		7	* 09915R0002	PASAMANO ESCALERA 09915	
5	4411010205	TORNILLERIA ZINCADA		8	09914R0001	PUENTE UNION	

CODIGO **09914, 09915**DESCRIPCION: **ESCALERA PISCINA ELEVADA****OBSERVACIONES**

POS	CODIGO	OBSERVACIONES
6	* 09914R0006	PARA: 09914
6	* 09915R0001	PARA: 09915
7	* 09914R0007	PARA: 09914
7	* 09915R0002	PARA: 09915

CODE 09914, 09915

DESCRIPTION: ÉCHELLE PISCINE HORS SOL



FRANCAIS

POS	CODE	DESCRIPTION	QUANTITE	POS	CODE	DESCRIPTION	QUANTITE
1	4411010201	MARCHE BLANCHE 70 MM	6	* 09914R0006	RAMPE ESCALIER 09914		
2	4411010202	PLATE-FORME BLANCHE	6	* 09915R0001	RAMPE ESCALIER 09915		
3	4411010203	PETIT BOUCHON PROTECTEUR	7	* 09914R0007	RAMPE ESCALIER 09914		
4	4411010204	BOUCHON PROTECTEUR CAOUTCHOUC	7	* 09915R0002	RAMPE ÉCHELLE 09915		
5	4411010205	VISSERIE ZINGUEE	8	09914R0001	PONT UNION		

CODE **09914, 09915**

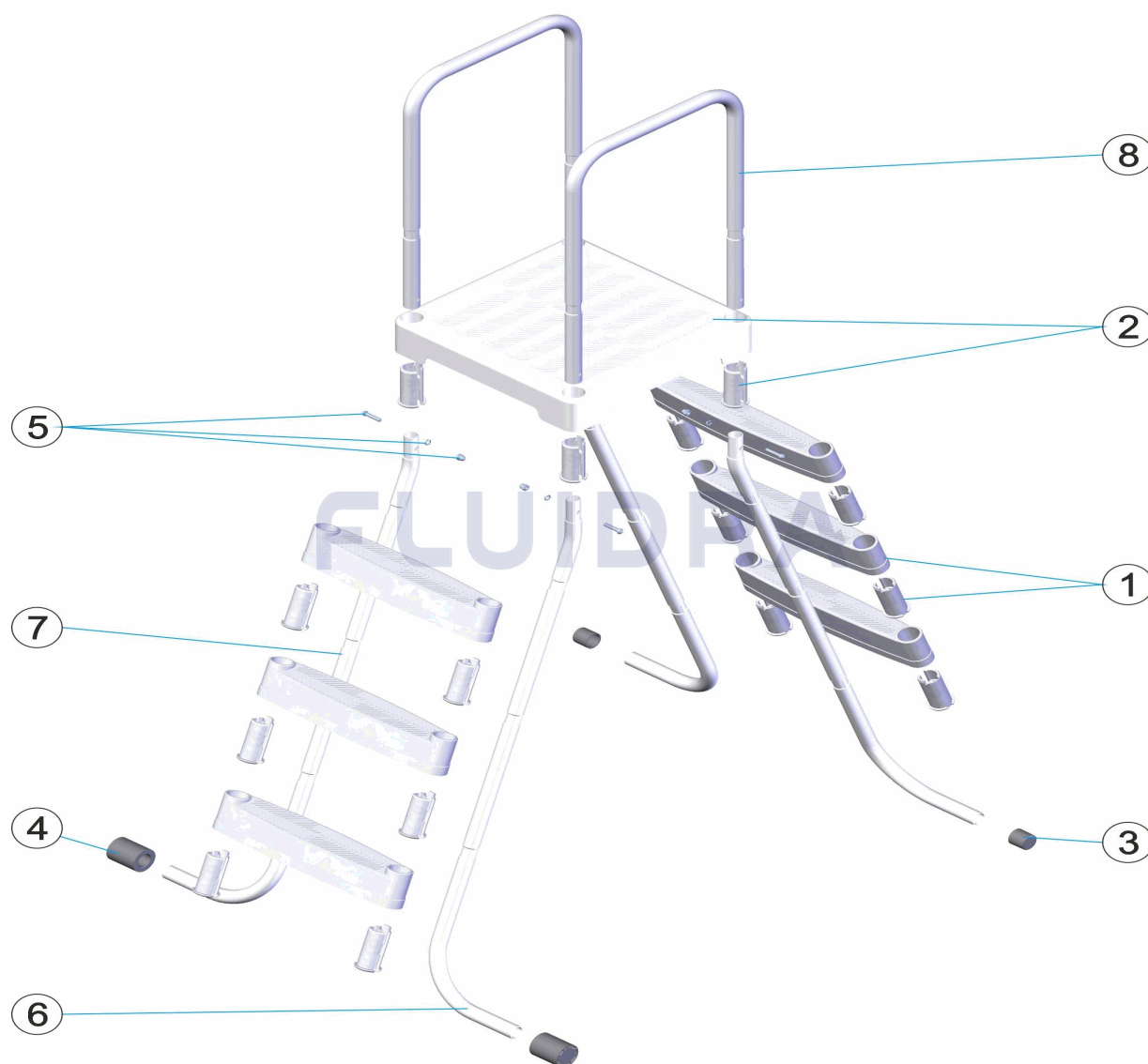
DESCRIPTION: **ÉCHELLE PISCINE HORS SOL**

OBSERVATIONS

POS	CODE	OBSERVATIONS
6	* 09914R0006	POUR: 09914
6	* 09915R0001	POUR: 09915
7	* 09914R0007	POUR: 09914
7	* 09915R0002	POUR: 09915

CODE **09914, 09915**

DESCRIPTION: **ABOVE-GROUND POOL LADDER**



ENGLISH

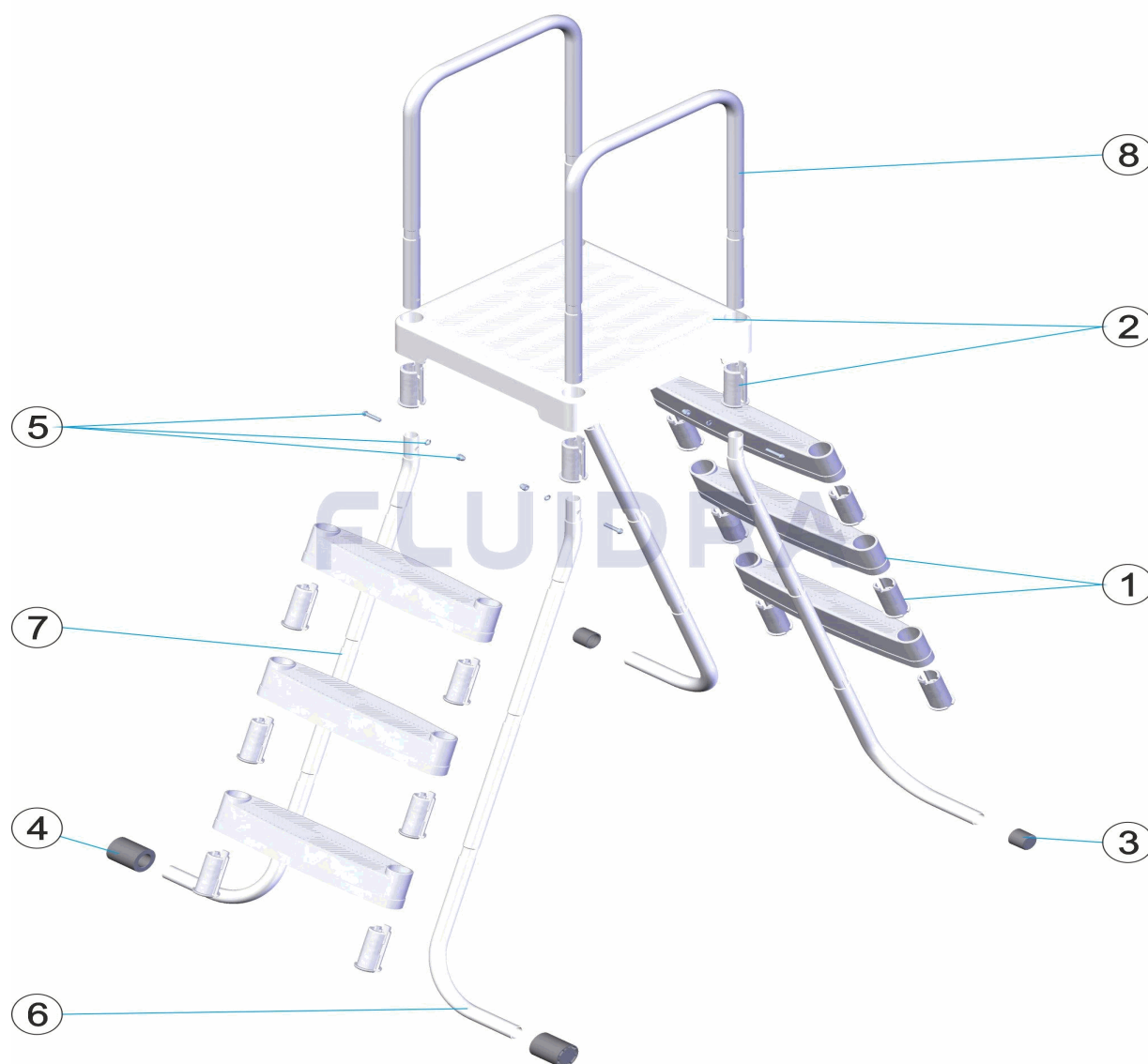
POS	CODE	DESCRIPTION	QUANTITY	POS	CODE	DESCRIPTION	QUANTITY
1	4411010201	WHITE TREAD 70 MM		6	* 09914R0006	HANDRAIL LADDER 09914	
2	4411010202	WHITE PLATFORM		6	* 09915R0001	HANDRAIL LADDER 09915	
3	4411010203	SMALL PROTECTIVE PLUG		7	* 09914R0007	HANDRAIL LADDER 09914	
4	4411010204	RUBBER PROTECTIVE PLUG		7	* 09915R0002	HANDRAIL LADDER 09915	
5	4411010205	ZINC-PLATED BOLTS		8	09914R0001	JOINT BRIDGE	

CODE **09914, 09915**DESCRIPTION: **ABOVE-GROUND POOL LADDER****OBSERVATIONS**

POS	CODE	OBSERVATIONS
6	* 09914R0006	FOR: 09914
6	* 09915R0001	FOR: 09915
7	* 09914R0007	FOR: 09914
7	* 09915R0002	FOR: 09915

CODICE **09914, 09915**

DESCRIZIONE: **SCALA PISCINA ELEVATA**



ITALIANO

POS	CODICE	DESCRIZIONE	QUANTITA'	POS	CODICE	DESCRIZIONE	QUANTITA'
1	4411010201	GRADINO BIANCO 70 MM		6	* 09914R0006	CORRIMANO SCALA 09914	
2	4411010202	PIATTAFORMA BIANCA		6	* 09915R0001	CORRIMANO SCALA 09915	
3	4411010203	TAPPO DI PROTEZIONE PICCOLO		7	* 09914R0007	CORRIMANO SCALA 09914	
4	4411010204	TAPPO DI PROTEZIONE IN GOMMA		7	* 09915R0002	CORRIMANO SCALA 09915	
5	4411010205	BULLONERIA ZINCATA		8	09914R0001	PONTE UNIONE	

CODICE 09914, 09915

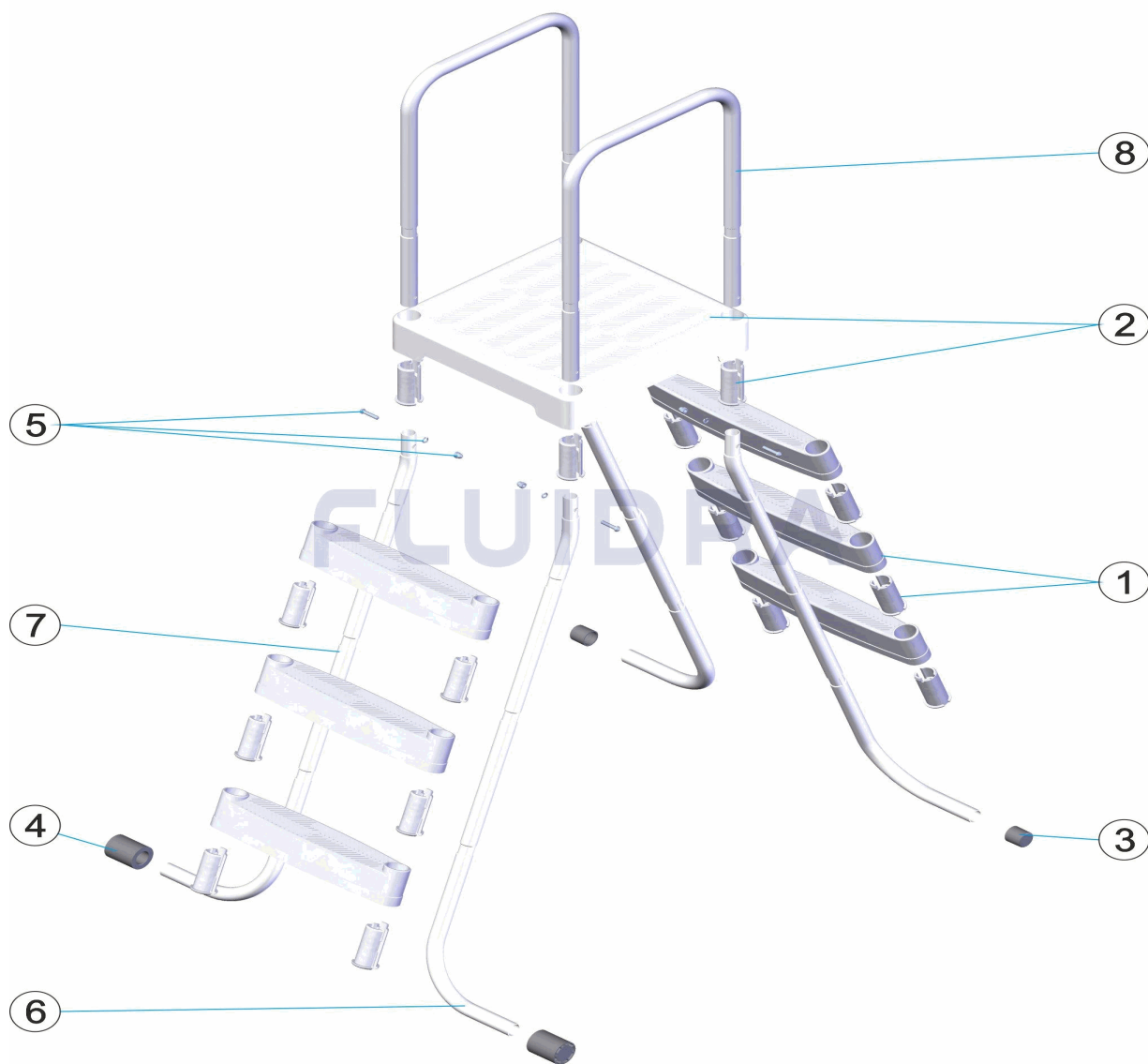
DESCRIZIONE: SCALA PISCINA ELEVATA

OSSERVAZIONI

POS	CODICE	OSSERVAZIONI
6	* 09914R0006	PER: 09914
6	* 09915R0001	PER: 09915
7	* 09914R0007	PER: 09914
7	* 09915R0002	PER: 09915

CODE **09914, 09915**

BESCHREIBUNG: **TREPPE AUFSTELLBECKEN**



DEUTSCH

POS	CODE	BESCHREIBUNG	MENGE	POS	CODE	BESCHREIBUNG	MENGE
1	4411010201	STUFE WEISS 70 MM		6	* 09914R0006	HANDLAUF TREPPE 09914	
2	4411010202	PLATTFORM WEISS		6	* 09915R0001	HANDLAUF TREPPE 09915	
3	4411010203	SCHUTZSTOPFEN KLEIN		7	* 09914R0007	HANDLAUF TREPPE 09914	
4	4411010204	SCHUTZSTOPFEN GUMMI		7	* 09915R0002	HANDLAUF TREPPE 09915	
5	4411010205	SCHRAUBENSATZ VERZINKT		8	09914R0001	VERBINDUNGSBRÜCKE	

CODE **09914, 09915**

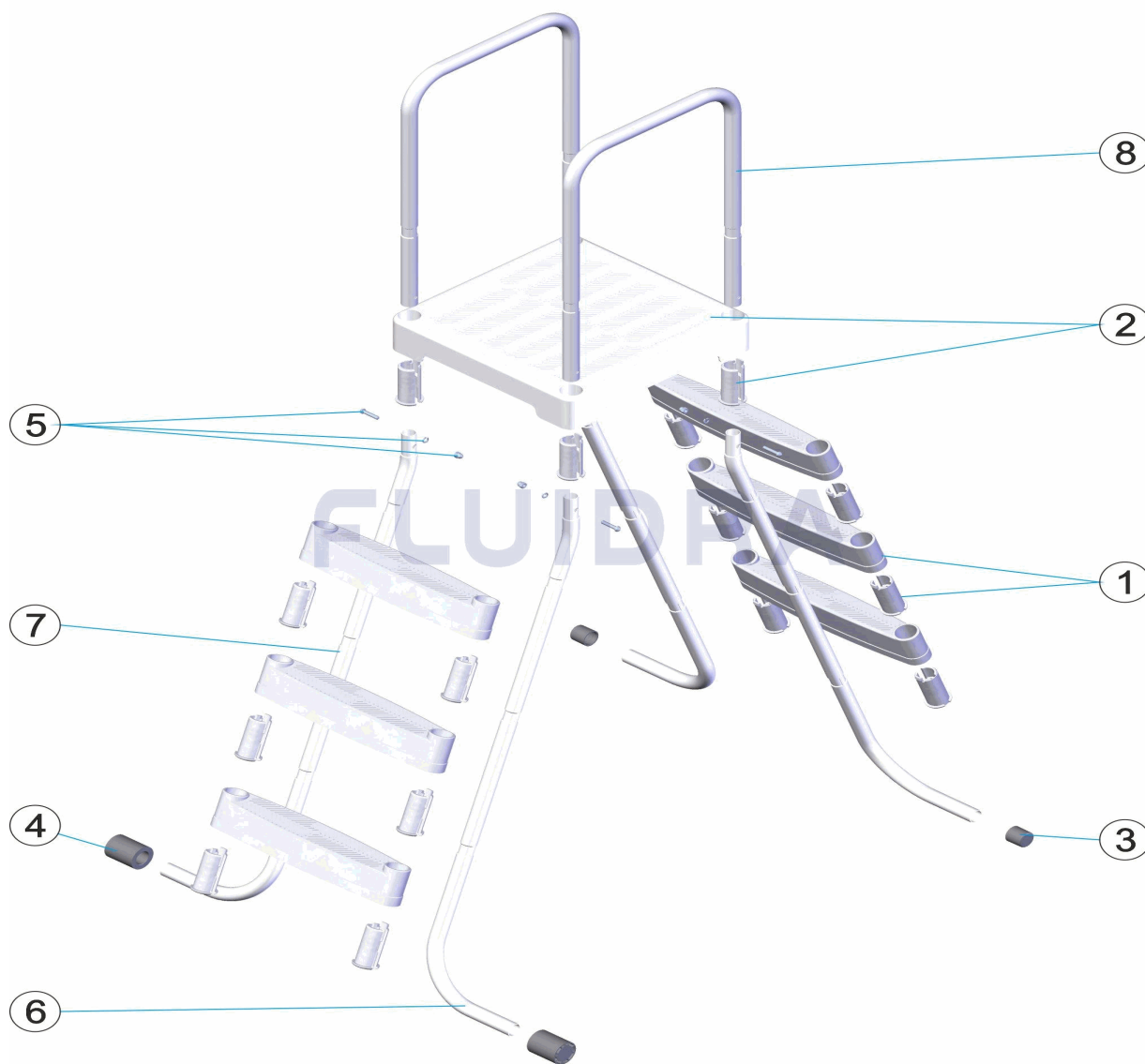
BESCHREIBUNG: **TREPPE AUFSTELLBECKEN**

HINWEISE

POS	CODE	HINWEISE
6	* 09914R0006	FÜR: 09914
6	* 09915R0001	FÜR: 09915
7	* 09914R0007	FÜR: 09914
7	* 09915R0002	FÜR: 09915

CODIGO **09914, 09915**

DESCRIÇÃO: **ESCADA PISCINA ELEVADA**



PORTUGUES

POS	CODIGO	DESCRIÇÃO	JANTIDADE	POS	CODIGO	DESCRIÇÃO	JANTIDADE
1	4411010201	DEGRAU BRANCO 70 MM		6	* 09914R0006	CORRIMÃO ESCADA 09914	
2	4411010202	PLATAFORMA BRANCA		6	* 09915R0001	CORRIMÃO ESCADA 09915	
3	4411010203	TAMPÃO PROTECTOR PEQUENO		7	* 09914R0007	CORRIMÃO ESCADA 09914	
4	4411010204	TAMPÃO PROTECTOR BORRACHA		7	* 09915R0002	CORRIMÃO ESCADA 09915	
5	4411010205	CONJ.PARAFUSOS ZINCADOS		8	09914R0001	PONTE UNIÃO	

CODIGO 09914, 09915

DESCRIÇÃO: ESCADA PISCINA ELEVADA

OBSERVAÇÕES

POS	CODIGO	OBSERVAÇÕES
6	* 09914R0006	PARA: 09914
6	* 09915R0001	PARA: 09915
7	* 09914R0007	PARA: 09914
7	* 09915R0002	PARA: 09915