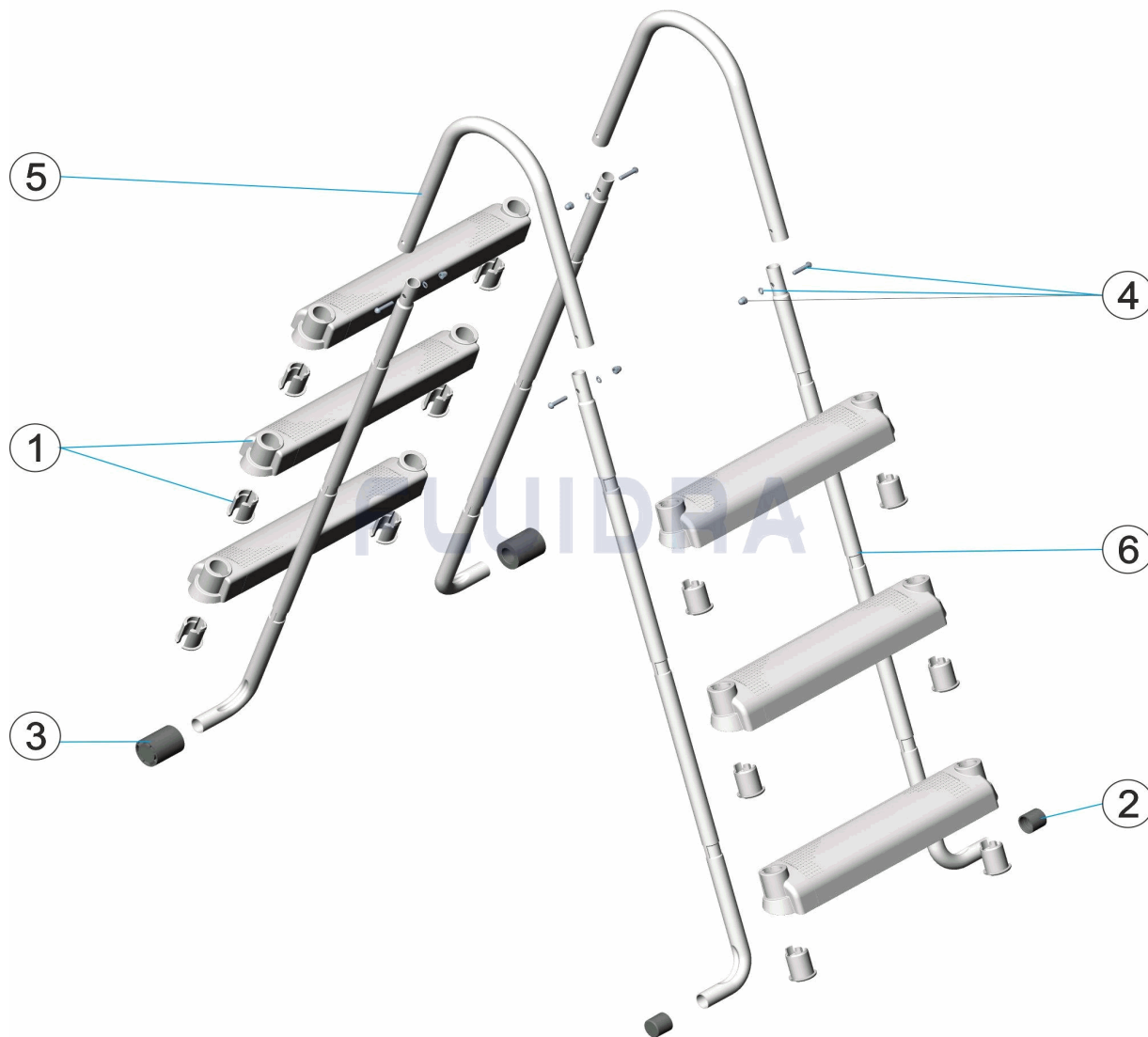


CODIGO **27286, 27287**

DESCRIPCION: **ESCALERA PISCINA ELEVADA 2X3 Y 2X4 PELD.**



ESPAÑOL

POS	CODIGO	DESCRIPCION	CANTIDAD	POS	CODIGO	DESCRIPCION	CANTIDAD
1	4411010401	PELDAÑO LEPIDE BLANCO	5	*	27286R0102	PUENTE UNION	
2	4411010203	TAPON PROTECTOR PEQUEÑO	5	*	27286R0103	PUENTE UNION PARA 27287	
3	4411010204	TAPON PROTECTOR GOMA	6	*	27286R0101	PASAMANO ESCALERA 27286	
4	4411010205	TORNILLERIA ZINCADA	6	*	27287R0102	PASAMANO ESCALERA 27287	

CODIGO 27286, 27287

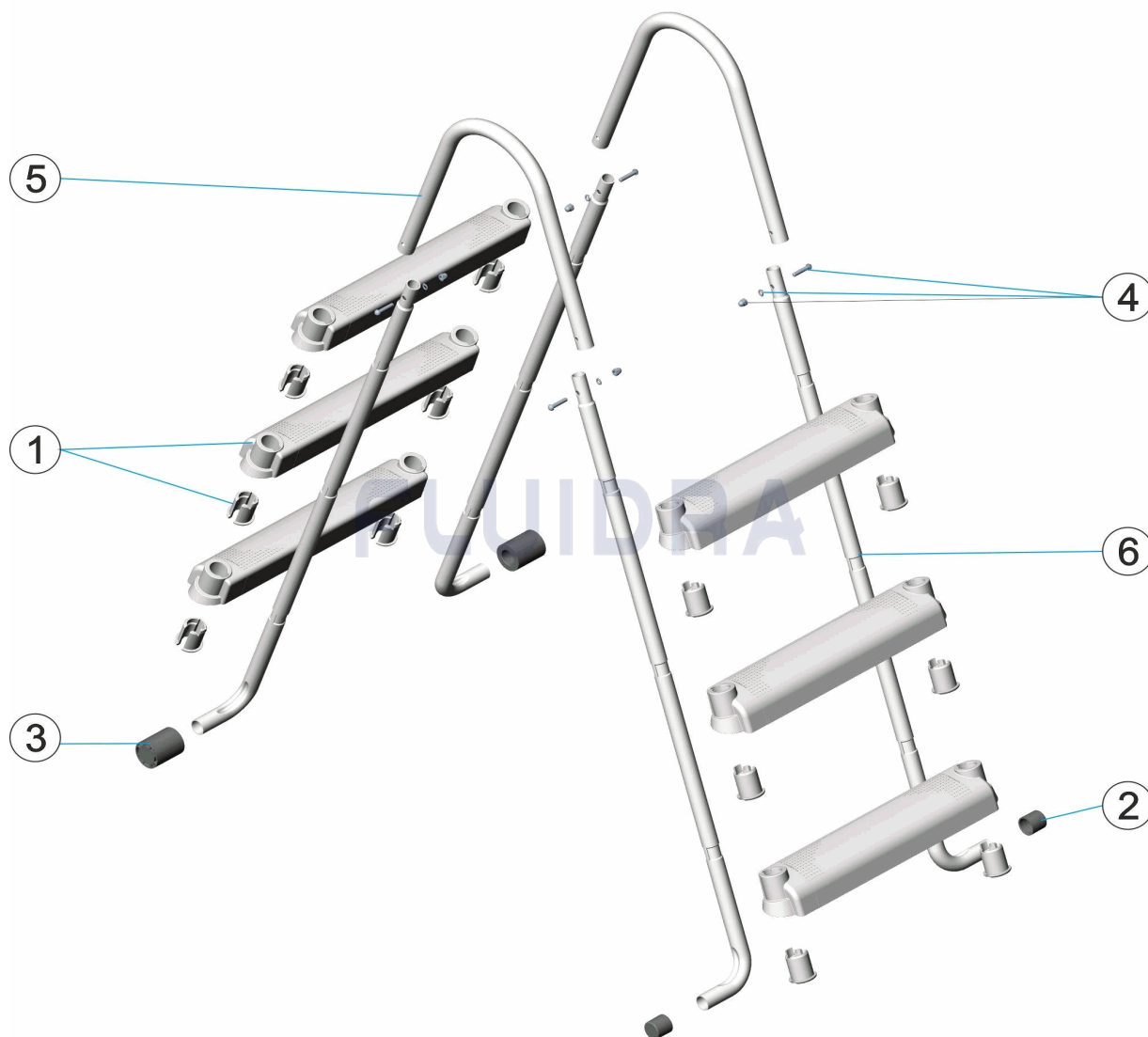
DESCRIPCION: ESCALERA PISCINA ELEVADA 2X3 Y 2X4 PELD.

OBSERVACIONES

POS	CODIGO	OBSERVACIONES
5	* 27286R0102	PARA: 27286
5	* 27286R0103	PARA: 27287
6	* 27286R0101	PARA: 27286
6	* 27287R0102	PARA: 27287

CODE 27286, 27287

DESCRIPTION: ÉCHELLE PISCINE HORS SOL 2X3 ET 2X4 MARCHES



FRANCAIS

POS	CODE	DESCRIPTION	QUANTITE	POS	CODE	DESCRIPTION	QUANTITE
1	4411010401	MARCHE LEPIDE BLANC	5	*	27286R0102	MONTANT UNION ECHELLE 40107	
2	4411010203	PETIT BOUCHON PROTECTEUR	5	*	27286R0103	MONTANT UNION ECHELLE 40108	
3	4411010204	BOUCHON PROTECTEUR CAOUTCHOUC	6	*	27286R0101	MAIN COURANTE REF 40107	
4	4411010205	VISSERIE ZINGUEE	6	*	27287R0102	MAIN COURANTE REF 40108	

CODE **27286, 27287**

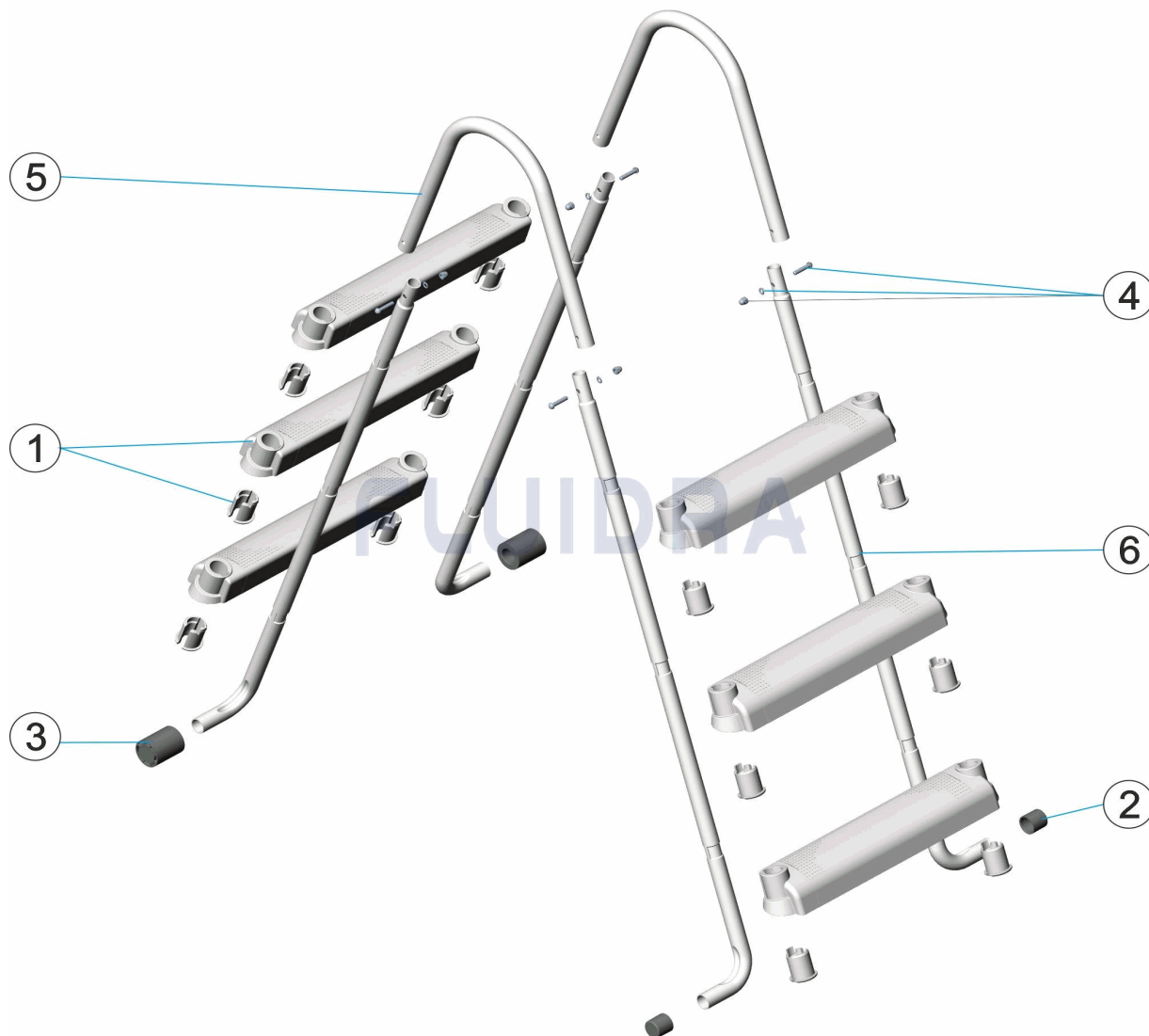
DESCRIPTION: **ÉCHELLE PISCINE HORS SOL 2X3 ET 2X4 MARCHES**

OBSERVATIONS

POS	CODE	OBSERVATIONS
5	* 27286R0102	POUR: 27286
5	* 27286R0103	POUR: 27287
6	* 27286R0101	POUR: 27286
6	* 27287R0102	POUR: 27287

CODE 27286, 27287

DESCRIPTION: ABOVE-GROUND POOL LADDER 2X3 AND 2X4 STEPS



ENGLISH

POS	CODE	DESCRIPTION	QUANTITY	POS	CODE	DESCRIPTION	QUANTITY
1	4411010401	WHITE LEPIDE TREAD	5	* 27286R0102	JOINT BRIDGE		
2	4411010203	SMALL PROTECTIVE PLUG	5	* 27286R0103	JOINT BRIDGE FOR 27287		
3	4411010204	RUBBER PROTECTIVE PLUG	6	* 27286R0101	HANDRAIL LADDER 27286		
4	4411010205	ZINC-PLATED BOLTS	6	* 27287R0102	HANDRAIL LADDER 27287		

CODE **27286, 27287**

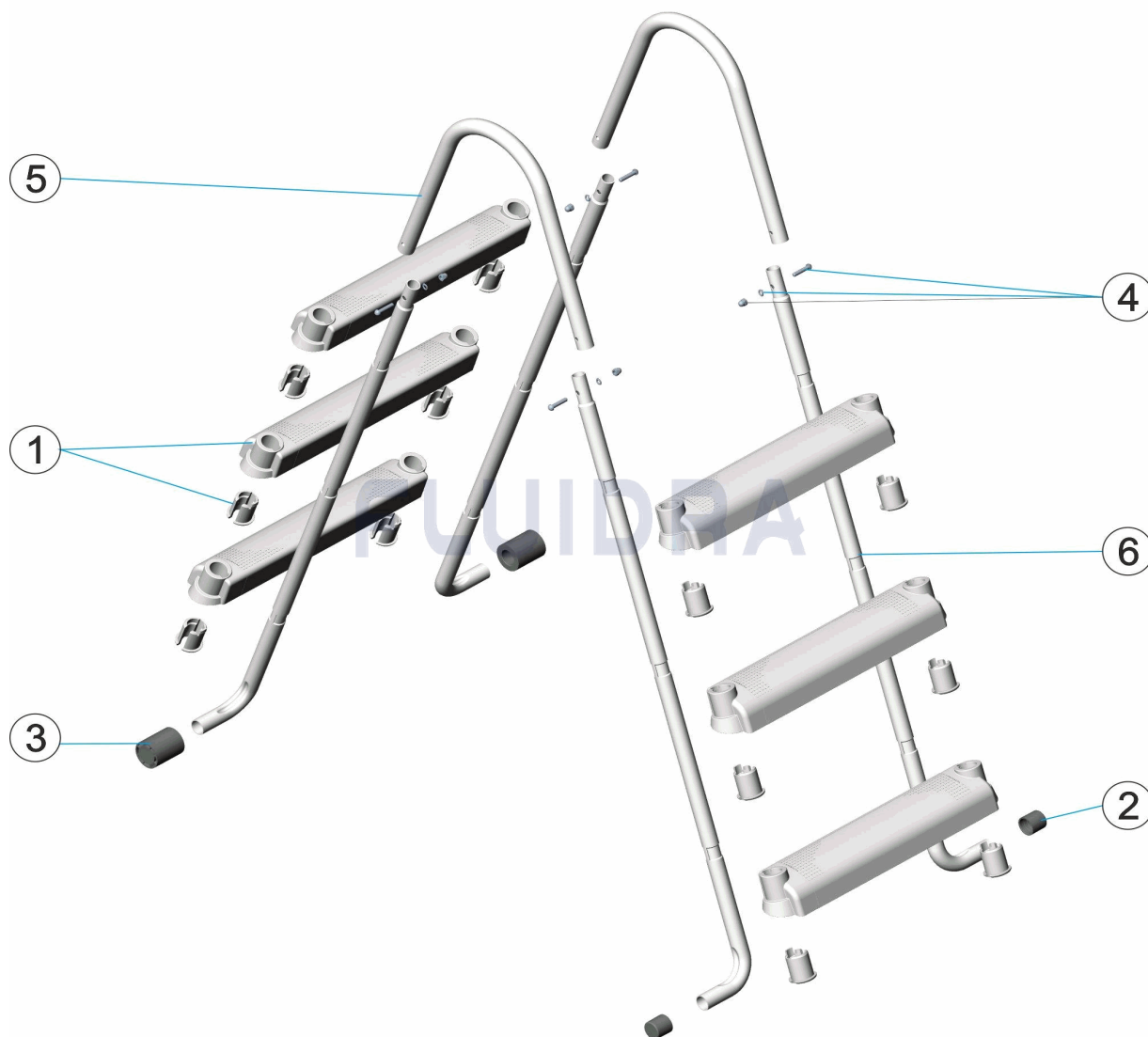
DESCRIPTION: **ABOVE-GROUND POOL LADDER 2X3 AND 2X4 STEPS**

OBSERVATIONS

POS	CODE	OBSERVATIONS
5	* 27286R0102	FOR: 27286
5	* 27286R0103	FOR: 27287
6	* 27286R0101	FOR: 27286
6	* 27287R0102	FOR: 27287

CODICE **27286, 27287**

DESCRIZIONE: **SCALA PISCINA ELEVATA 2X3 E 2X4 SCALINO**



ITALIANO

POS	CODICE	DESCRIZIONE	QUANTITA'	POS	CODICE	DESCRIZIONE	QUANTITA'
1	4411010401	GRADINO LEPIDE BIANCO		5	* 27286R0102	PONTE UNIONE	
2	4411010203	TAPPO DI PROTEZIONE PICCOLO		5	* 27286R0103	PONTE UNIONE PER 27287	
3	4411010204	TAPPO DI PROTEZIONE IN GOMMA		6	* 27286R0101	CORRIMANO SCALA 27286	
4	4411010205	BULLONERIA ZINCATA		6	* 27287R0102	CORRIMANO SCALA 27287	

CODICE **27286, 27287**

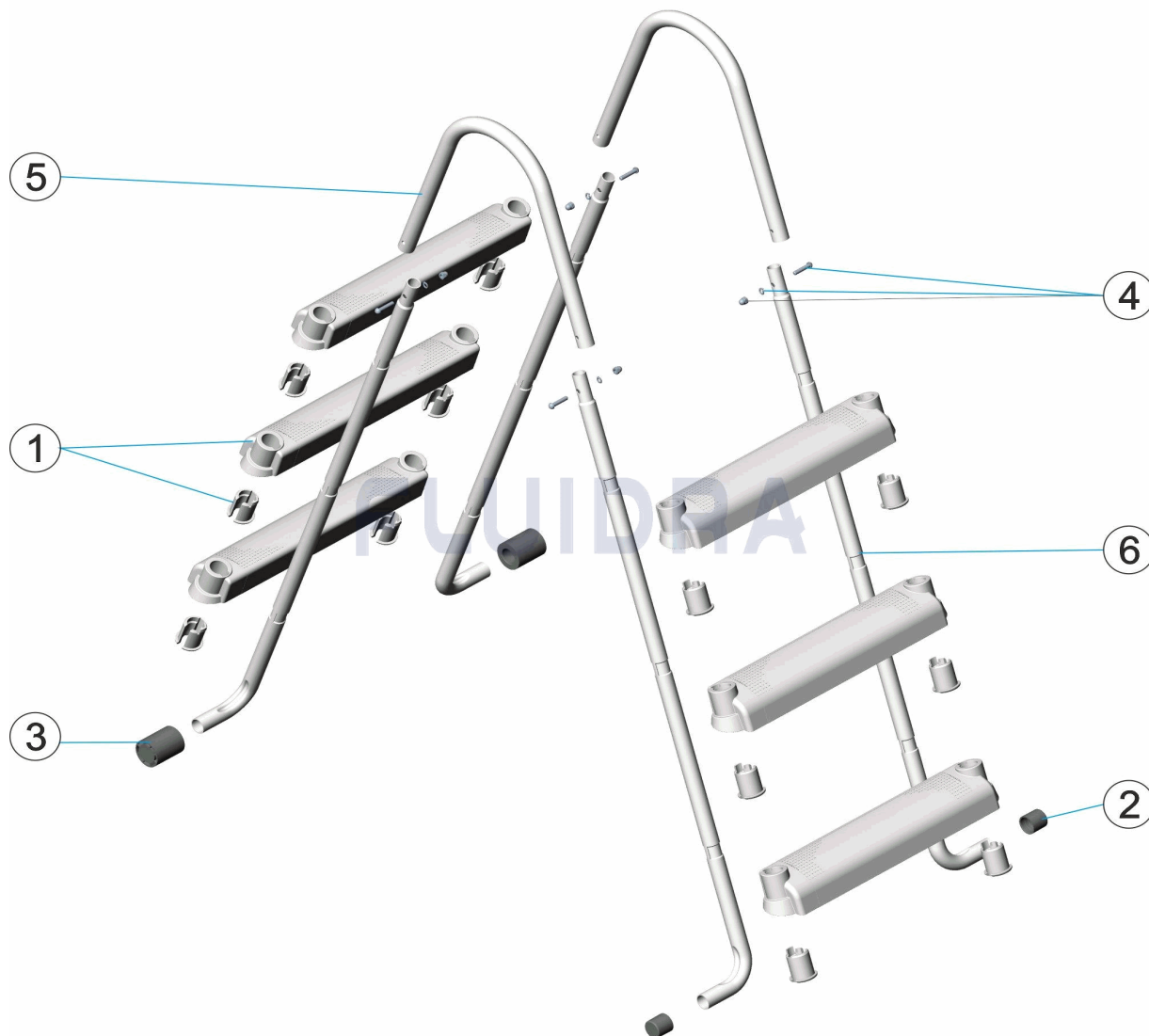
DESCRIZIONE: **SCALA PISCINA ELEVATA 2X3 E 2X4 SCALINO**

OSSERVAZIONI

POS	CODICE	OSSERVAZIONI
5	* 27286R0102	PER: 27286
5	* 27286R0103	PER: 27287
6	* 27286R0101	PER: 27286
6	* 27287R0102	PER: 27287

CODE 27286, 27287

BESCHREIBUNG: TREPPE AUFSTELLBECKEN 2X3 UND 2X4 STUFEN



DEUTSCH

POS	CODE	BESCHREIBUNG	MENGE	POS	CODE	BESCHREIBUNG	MENGE
1	4411010401	STUFE LEPIDE WEISS		5	* 27286R0102	VERBINDUNGSBRÜCKE	
2	4411010203	SCHUTZSTOPFEN KLEIN		5	* 27286R0103	VERBINDUNGSBRÜCKE FÜR 27287	
3	4411010204	SCHUTZSTOPFEN GUMMI		6	* 27286R0101	HANDLAUF TREPPE 27286	
4	4411010205	SCHRAUBENSATZ VERZINKT		6	* 27287R0102	HANDLAUF TREPPE 27287	

CODE **27286, 27287**

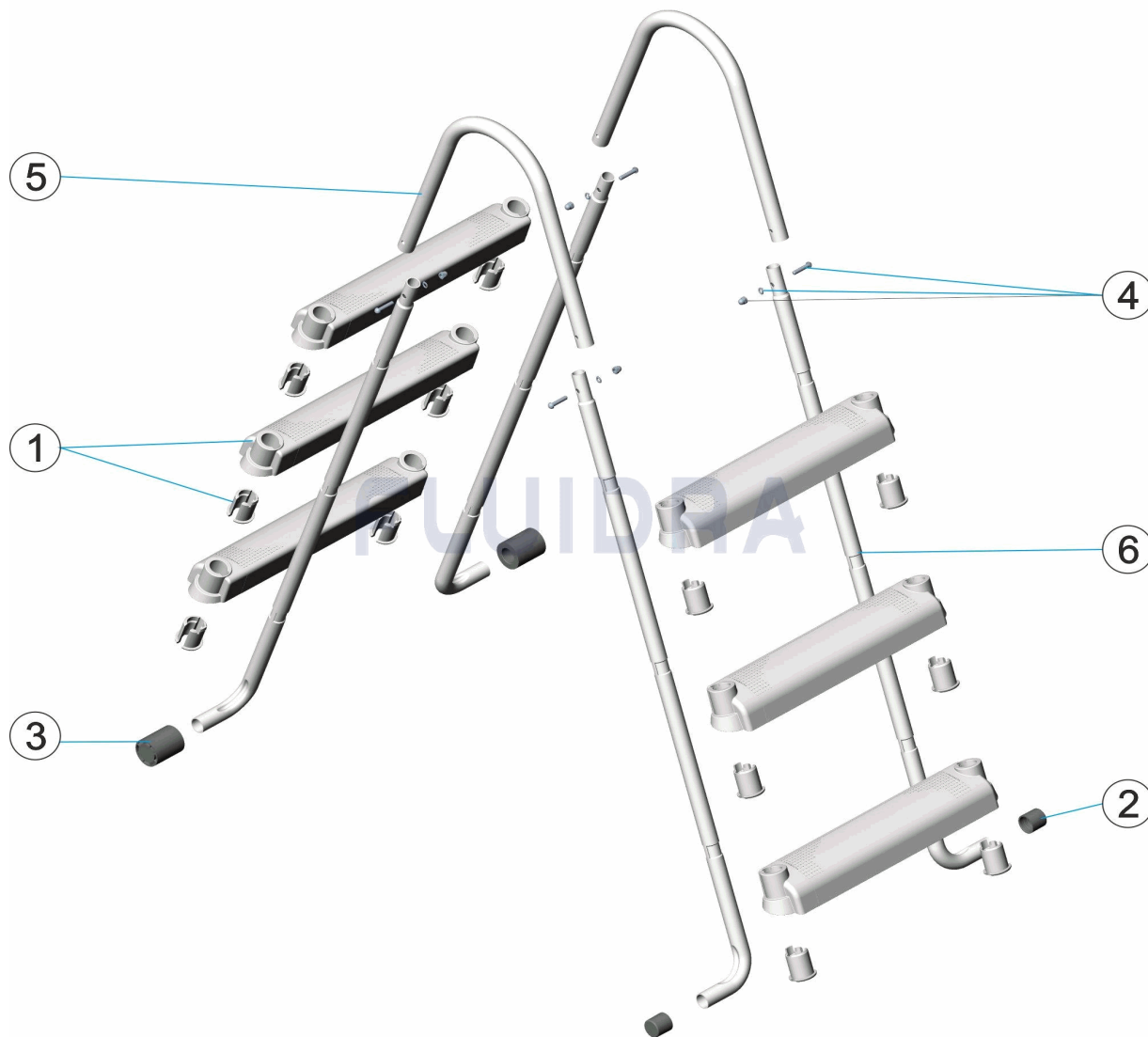
BESCHREIBUNG: **TREPPE AUFSTELLBECKEN 2X3 UND 2X4 STUFEN**

HINWEISE

POS	CODE	HINWEISE
5	* 27286R0102	FÜR: 27286
5	* 27286R0103	FÜR: 27287
6	* 27286R0101	FÜR: 27286
6	* 27287R0102	FÜR: 27287

CODIGO **27286, 27287**

DESCRIÇÃO: **ESCADA PISCINA ELEVADA 2 X 3 E 2 X 4 DEGR.**



PORTUGUES

POS	CODIGO	DESCRIÇÃO	JANTIDADE	POS	CODIGO	DESCRIÇÃO	JANTIDADE
1	4411010401	DEGRAU LEPIDE BRANCO	5	* 27286R0102	PONTE UNIÃO		
2	4411010203	TAMPÃO PROTECTOR PEQUENO	5	* 27286R0103	PONTE UNIÃO PARA 27287		
3	4411010204	TAMPÃO PROTECTOR BORRACHA	6	* 27286R0101	CORRIMÃO ESCADA 27286		
4	4411010205	CONJ.PARAFUSOS ZINCADOS	6	* 27287R0102	CORRIMÃO ESCADA 27287		

CODIGO **27286, 27287**

DESCRIÇÃO: **ESCADA PISCINA ELEVADA 2 X 3 E 2 X 4 DEGR.**

OBSERVAÇÕES

POS	CODIGO	OBSERVAÇÕES
5	* 27286R0102	PARA: 27286
5	* 27286R0103	PARA: 27287
6	* 27286R0101	PARA: 27286
6	* 27287R0102	PARA: 27287