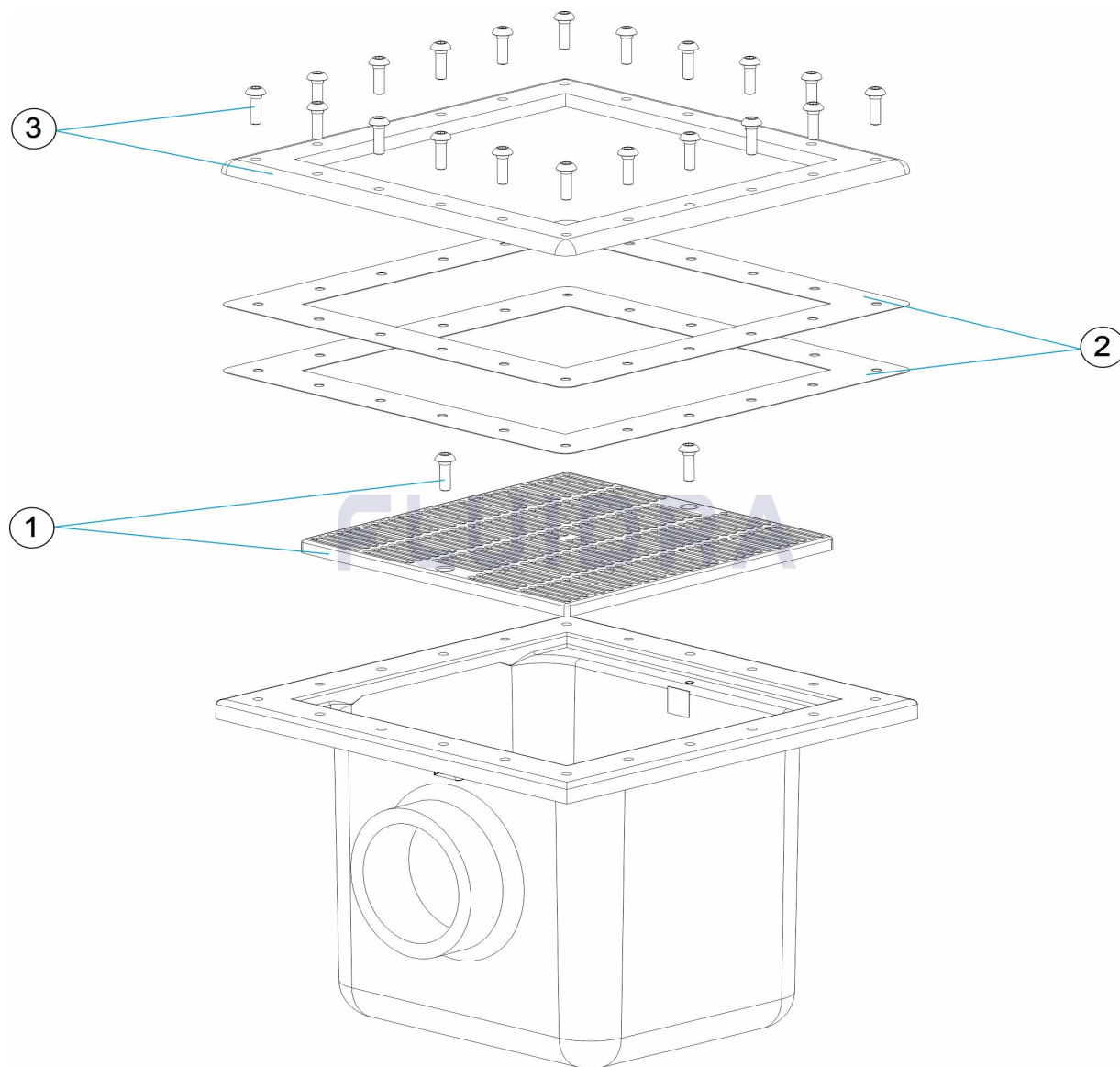


CODIGO 20076, 20077, 20078, 20079, 20291, 28722, 28723, 28724, 28725, 28726

DESCRIPCION: SUMIDERO PISCINA PREFABRICADA REJA GRANDE



ESPAÑOL

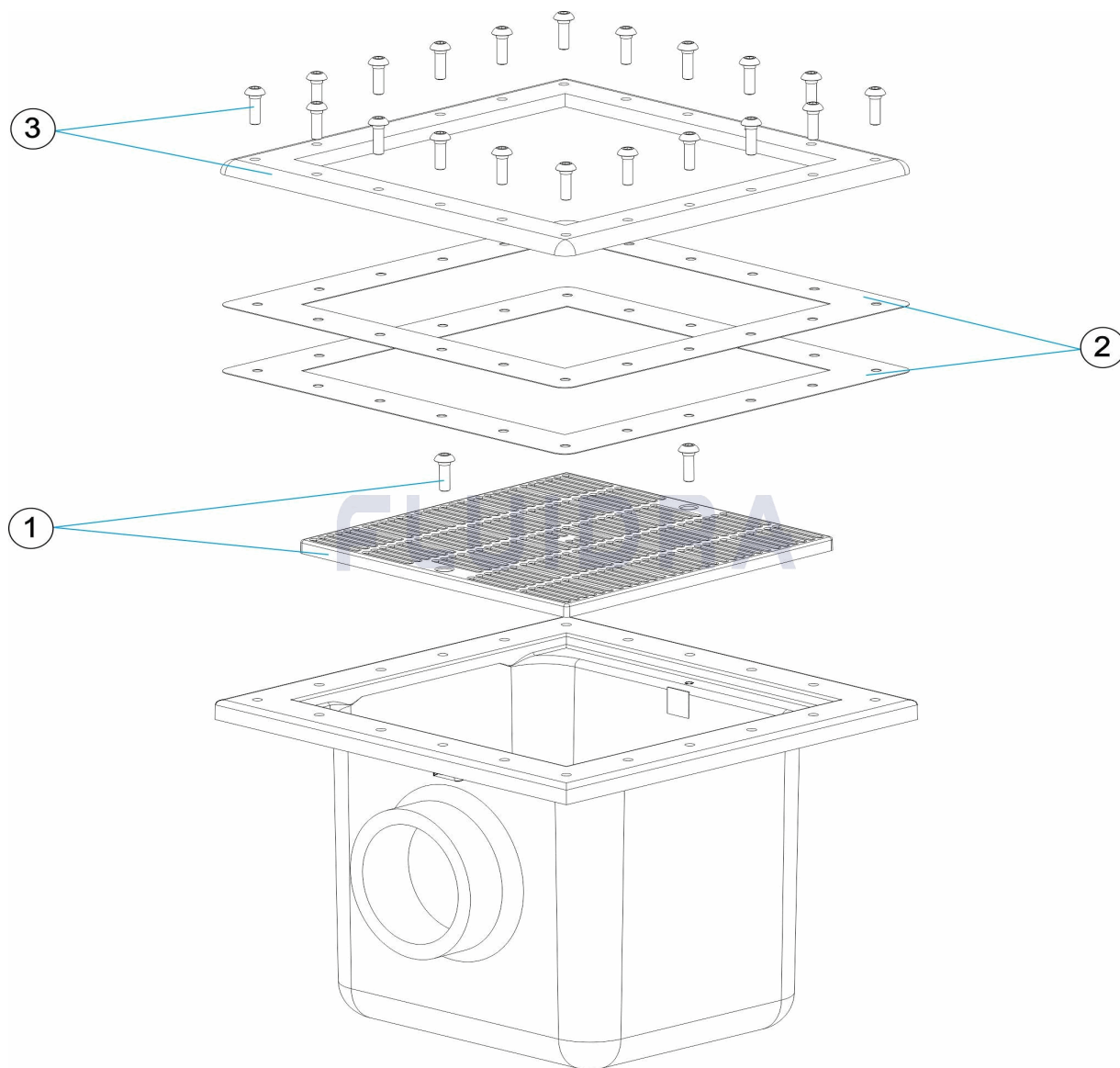
POS	CODIGO	DESCRIPCION	CANTIDAD	POS	CODIGO	DESCRIPCION	CANTIDAD
1	* 4402021602	REJILLA INOXIDABLE 412X412		2	4402021706	JUNTA PLANA SUMIDERO 477X477	
1	* 4402021901	REJA PLASTICO 410X410		3	4402021705	MARCO INOX. SUMIDERO 482X482	

CODIGO 20076, 20077, 20078, 20079, 20291, 28722, 28723, 28724, 28725, 28726**DESCRIPCION: SUMIDERO PISCINA PREFABRICADA REJA GRANDE****OBSERVACIONES**

POS	CODIGO	OBSERVACIONES
1	* 4402021602	PARA: 20076, 20077, 20078, 20079, 20291
1	* 4402021901	PARA: 28722, 28723, 28724, 28725, 28726

CODE **20076, 20077, 20078, 20079, 20291, 28722, 28723, 28724, 28725, 28726**

DESCRIPTION: **BONDE PISCINE PRÉFABRIQUÉE GRILLE GRANDE**



FRANCAIS

POS	CODE	DESCRIPTION	QUANTITE	POS	CODE	DESCRIPTION	QUANTITE
1	* 4402021602	GRILLE INOX 412X412		2	4402021706	JOINT PLASTIQUE DE BONDE 477X477	
1	* 4402021901	GRILLE PVC 410X410		3	4402021705	BRIDE INOX DE BONDE 482X482	

CODE **20076, 20077, 20078, 20079, 20291, 28722, 28723, 28724, 28725, 28726**

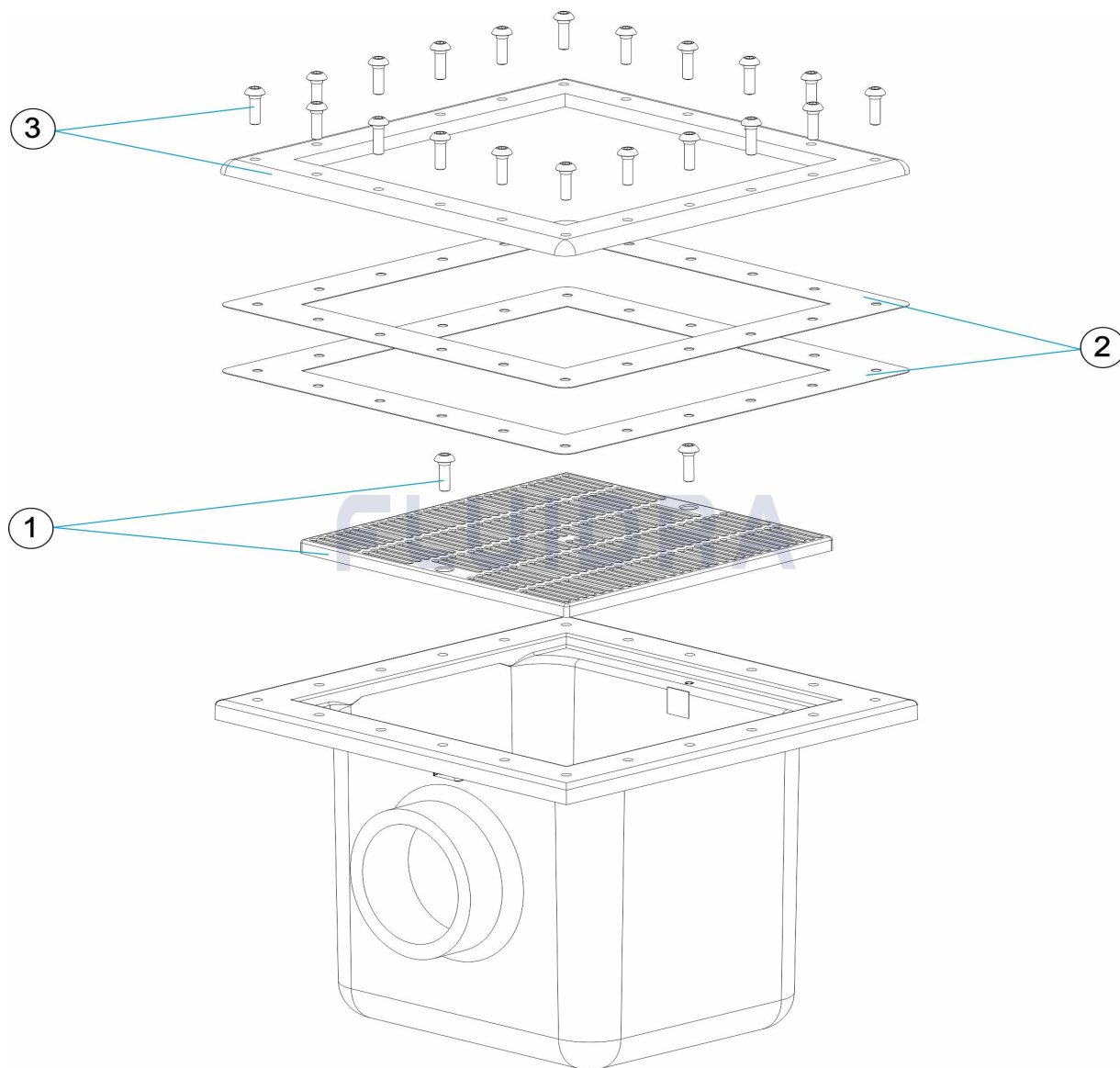
DESCRIPTION: **BONDE PISCINE PRÉFABRIQUÉE GRILLE GRANDE**

OBSERVATIONS

POS	CODE	OBSERVATIONS
1	* 4402021602	POUR: 20076, 20077, 20078, 20079, 20291
1	* 4402021901	POUR: 28722, 28723, 28724, 28725, 28726

CODE **20076, 20077, 20078, 20079, 20291, 28722, 28723, 28724, 28725, 28726**

DESCRIPTION: **DRAIN PREFABRICATED POOL LARGE GRILLE**



ENGLISH

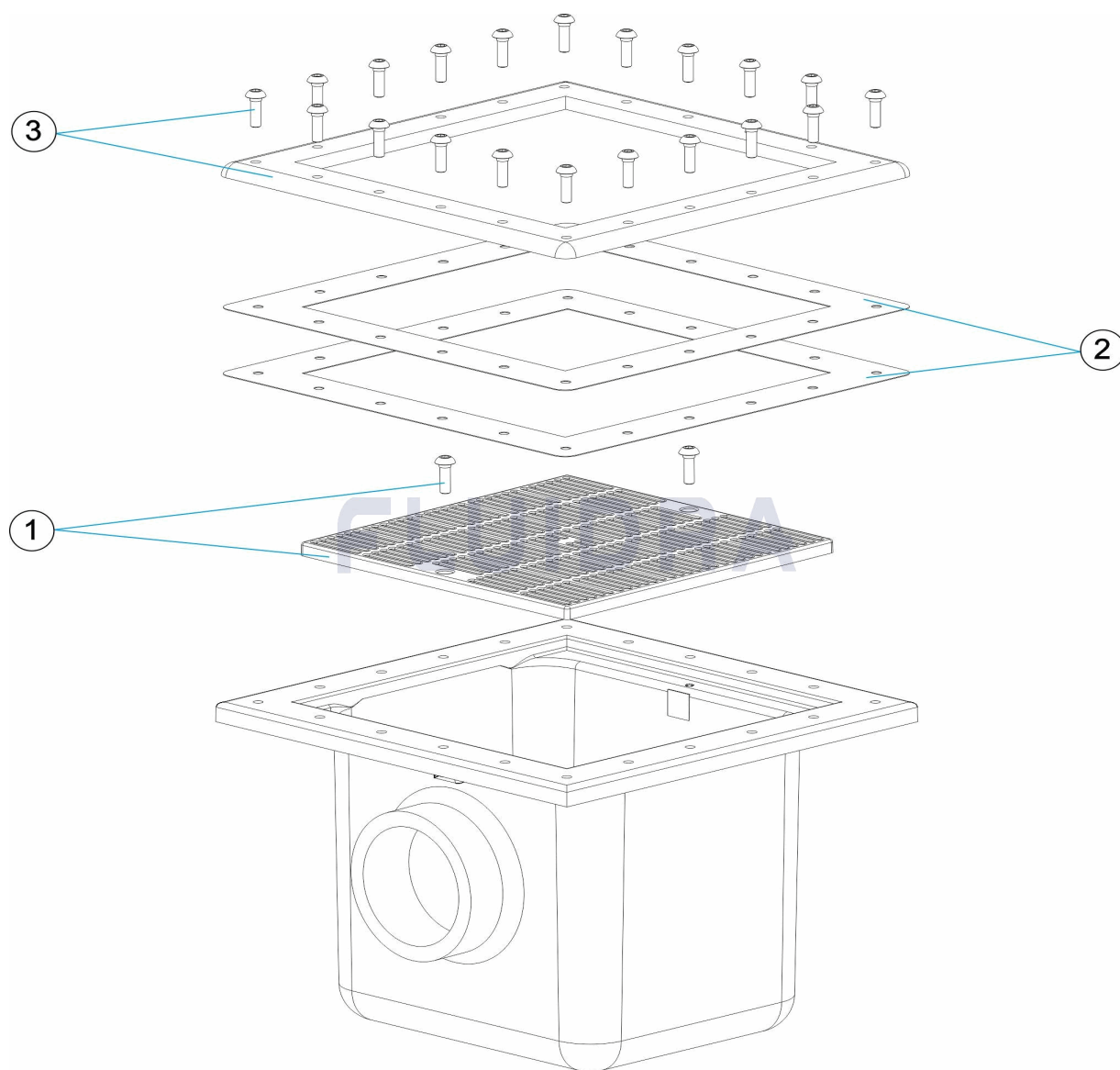
POS	CODE	DESCRIPTION	QUANTITY	POS	CODE	DESCRIPTION	QUANTITY
1	* 4402021602	S.S. GRILLE 412X412		2	4402021706	DRAIN FLAT GASKET 477X477	
1	* 4402021901	PLASTIC GRILL 410X410		3	4402021705	S.S. DRAIN FRAME 482X482	

CODE **20076, 20077, 20078, 20079, 20291, 28722, 28723, 28724, 28725, 28726**DESCRIPTION: **DRAIN PREFABRICATED POOL LARGE GRILLE****OBSERVATIONS**

POS	CODE	OBSERVATIONS
1	* 4402021602	FOR: 20076, 20077, 20078, 20079, 20291
1	* 4402021901	FOR: 28722, 28723, 28724, 28725, 28726

CODICE 20076, 20077, 20078, 20079, 20291, 28722, 28723, 28724, 28725, 28726

DESCRIZIONE: SCOLATOIO PISCINA PREFABBRICATA GRIGLIA GRANDE



ITALIANO

POS	CODICE	DESCRIZIONE	QUANTITA'	POS	CODICE	DESCRIZIONE	QUANTITA'
1	* 4402021602	GRIGLIA INOX 412X412		2	4402021706	GIUARNIZIONE PIATTA PER SCARICO 477X	
1	* 4402021901	GRATA IN PLASTICA 410X410		3	4402021705	CORNICE INOX PER SCARICO 482X482	

CODICE **20076, 20077, 20078, 20079, 20291, 28722, 28723, 28724, 28725, 28726**

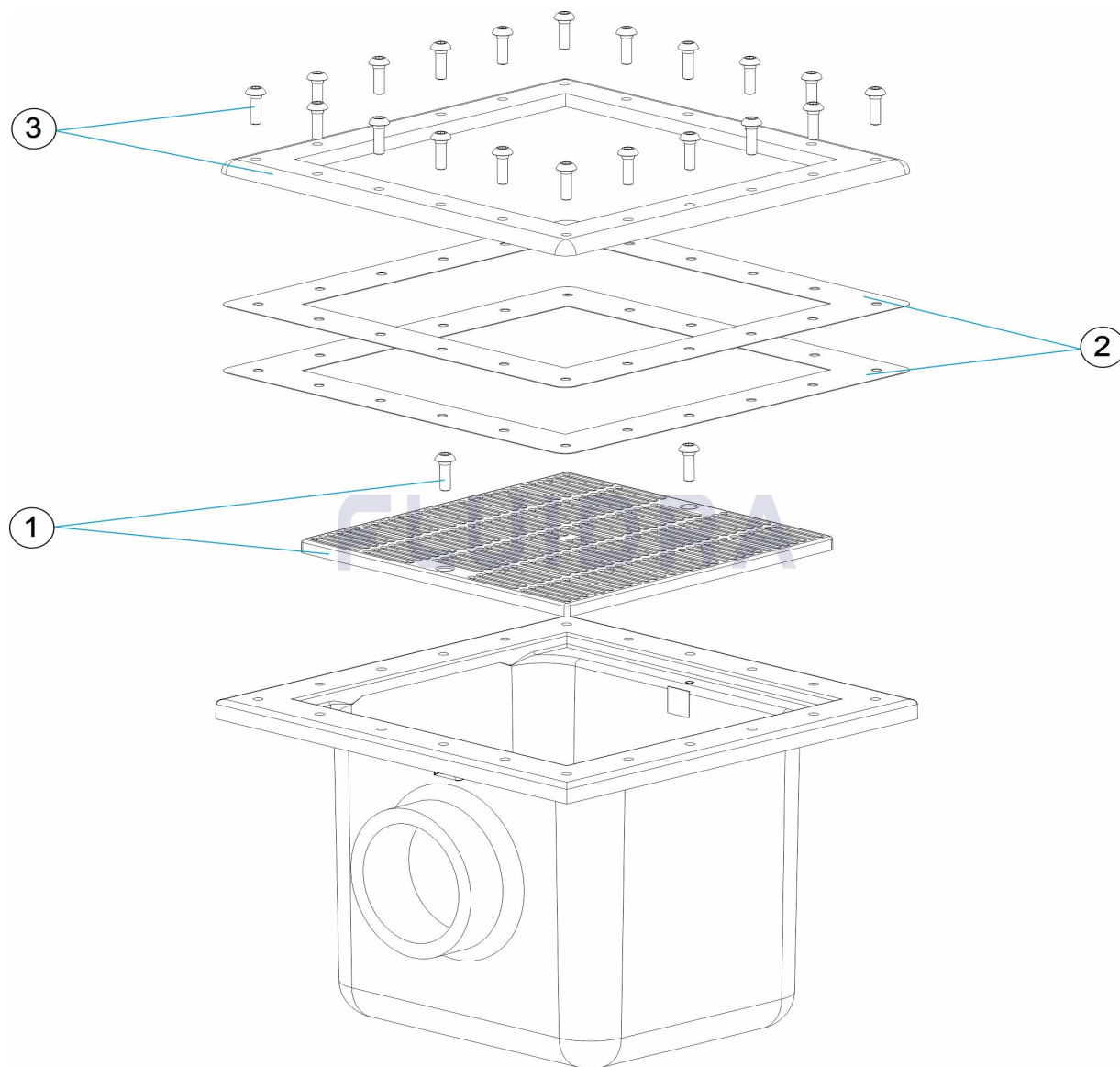
DESCRIZIONE: SCOLATOIO PISCINA PREFABBRICATA GRIGLIA GRANDE

OSSERVAZIONI

POS	CODICE	OSSERVAZIONI
1	* 4402021602	PER: 20076, 20077, 20078, 20079, 20291
1	* 4402021901	PER: 28722, 28723, 28724, 28725, 28726

CODE **20076, 20077, 20078, 20079, 20291, 28722, 28723, 28724, 28725, 28726**

BESCHREIBUNG: **ABFLUSS FERTIGBECKEN GITTER GROSS**



DEUTSCH

POS	CODE	BESCHREIBUNG	MENGE	POS	CODE	BESCHREIBUNG	MENGE
1	* 4402021602	GITTER EDELSTAHL 412 X 412		2	4402021706	FLACHDICHTUNG ABFLUSS 477 X 477	
1	* 4402021901	GITTER KUNSTSTOFF 410 X 410		3	4402021705	EDELSTAHLRAHMEN ABFLUSS 482 X 482	

CODE **20076, 20077, 20078, 20079, 20291, 28722, 28723, 28724, 28725, 28726**

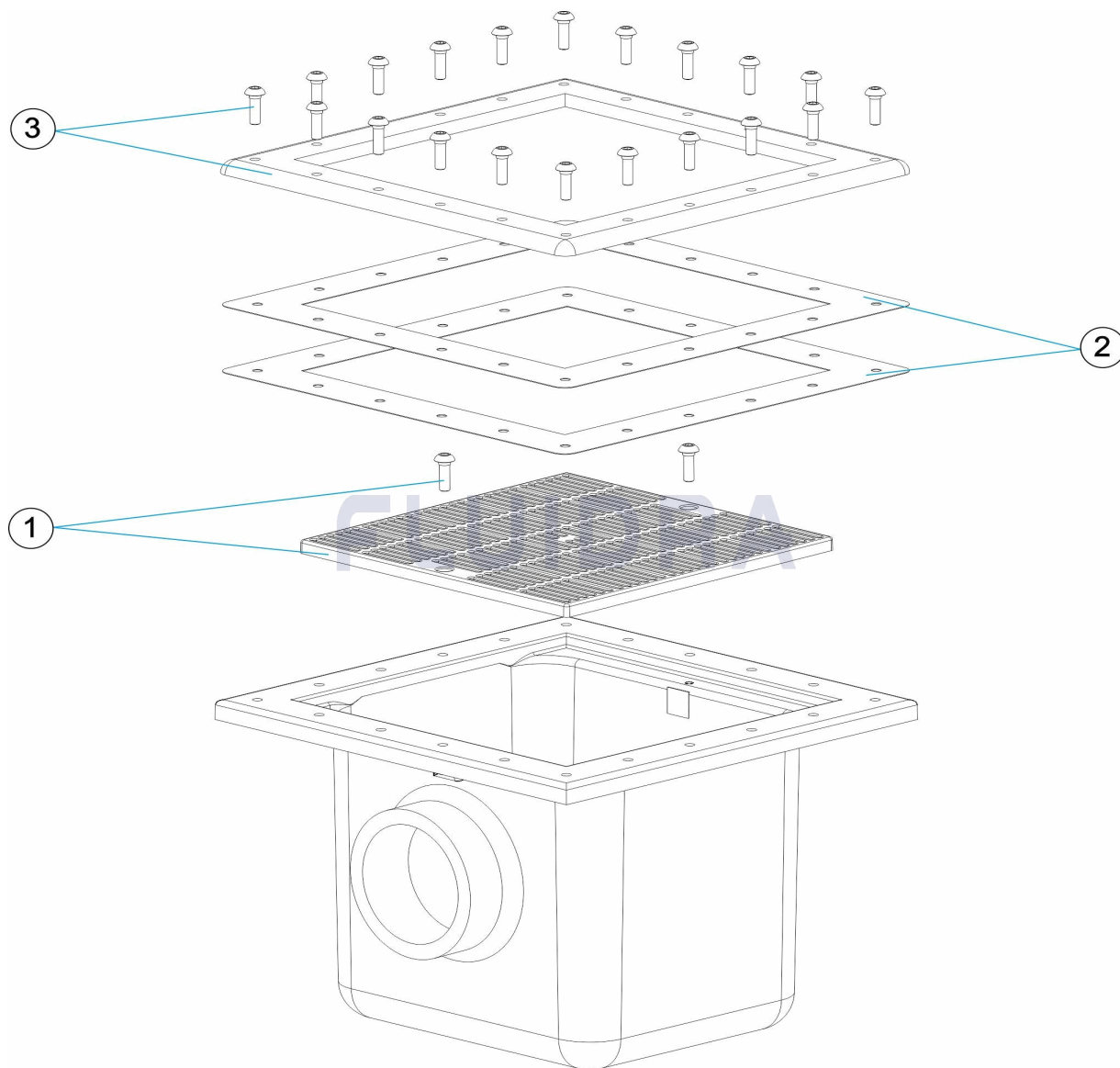
BESCHREIBUNG: **ABFLUSS FERTIGBECKEN GITTER GROSS**

HINWEISE

POS	CODE	HINWEISE
1	* 4402021602	FÜR: 20076, 20077, 20078, 20079, 20291
1	* 4402021901	FÜR: 28722, 28723, 28724, 28725, 28726

CODIGO 20076, 20077, 20078, 20079, 20291, 28722, 28723, 28724, 28725, 28726

DESCRIÇÃO: ESGOTO PISCINA PRÉ-FABRICADA GRADE GRANDE



PORTUGUES

POS	CODIGO	DESCRIÇÃO	JANTIDADE	POS	CODIGO	DESCRIÇÃO	JANTIDADE
1	* 4402021602	GRELHA INOXIDAVEL 412X412		2	4402021706	JUNTA PLANA RALO FUNDO 477X477	
1	* 4402021901	GRELHA DE PLASTICO 410X410		3	4402021705	ARO INOX RALO DE FUNDO 482X482	

CODIGO 20076, 20077, 20078, 20079, 20291, 28722, 28723, 28724, 28725, 28726**DESCRIÇÃO: ESGOTO PISCINA PRÉ-FABRICADA GRADE GRANDE****OBSERVAÇÕES**

POS	CODIGO	OBSERVAÇÕES
1	* 4402021602	PARA: 20076, 20077, 20078, 20079, 20291
1	* 4402021901	PARA: 28722, 28723, 28724, 28725, 28726