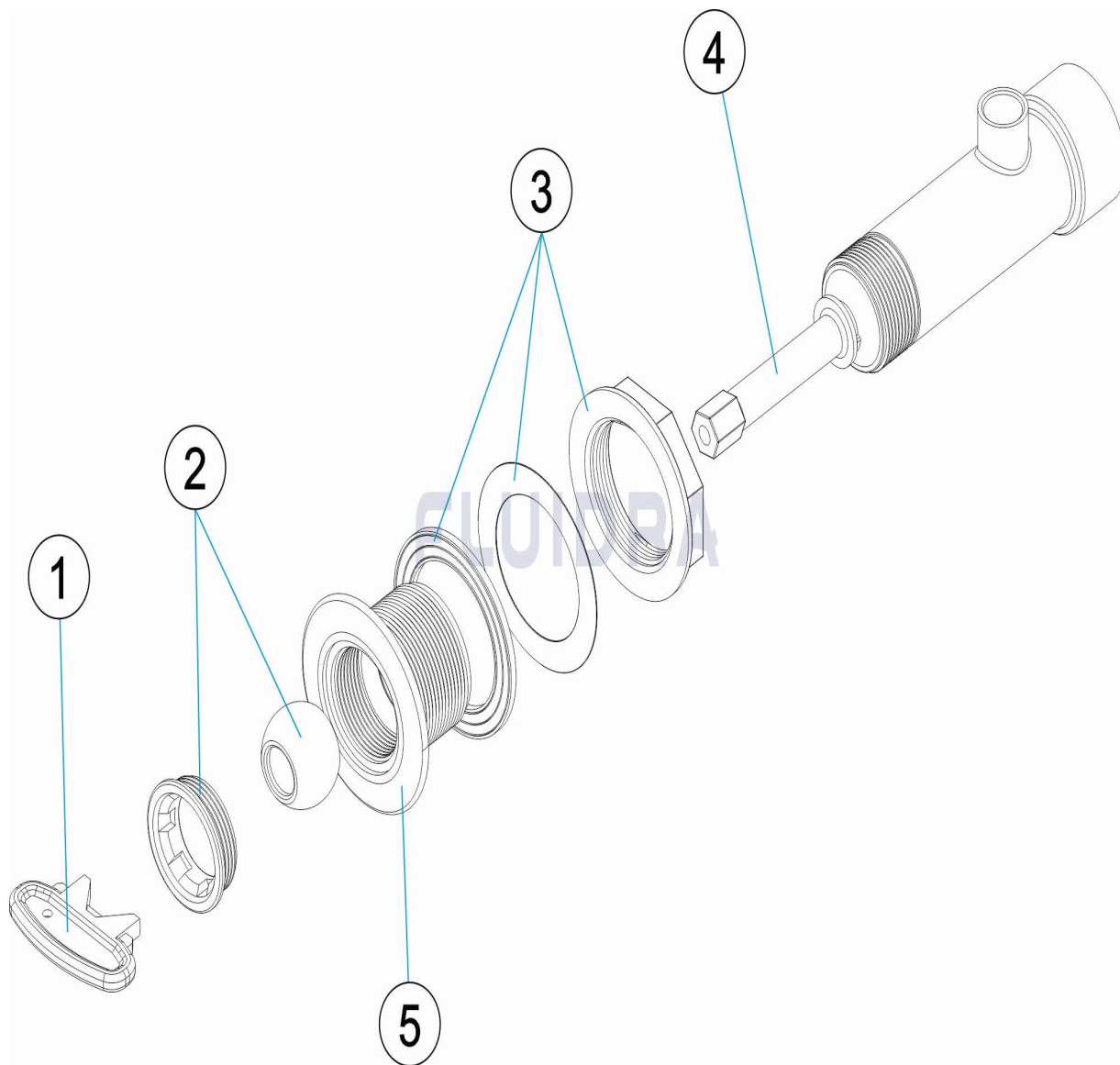


CODIGO 32114, 32114CL090, 32114CL129, 32114CL144, 32384, 32384CL090, 32384CL129, 32384CL144

DESCRIPCION: BOQUILLA PARA MASAJE PISCINA PREFABRICADA L- 169 - 254 M/M.



ESPAÑOL

POS	CODIGO	DESCRIPCION	CANTIDAD	POS	CODIGO	DESCRIPCION	CANTIDAD
1	4402040304	LLAVE BOQUILLA		4	* 4402045102	VENTURI PASAMUROS L-169 M/M.	
2	* 4402045301	BOLA D.20 + TUERCA		4	* 4402045103	VENTURI PASAMUROS L-254 M/M.	
2	* 4402040132	BOLA D.20 + TUERCA		5	* 17239R0001	BASE BOQUILLA MULTIFLOW	
2	* 4402040133	BOLA D.20 + TUERCA		5	* 17239R0001CL090	BASE BOQUILLA MULTIFLOW	
2	* 4402040134	BOLA D.20 + TUERCA		5	* 17239R0001CL129	BASE BOQUILLA MULTIFLOW	
3	4402045302	JUNTAS + TUERCA		5	* 17239R0001CL144	BASE BOQUILLA MULTIFLOW	

CODIGO **32114, 32114CL090, 32114CL129, 32114CL144, 32384, 32384CL090, 32384CL129, 32384CL144**

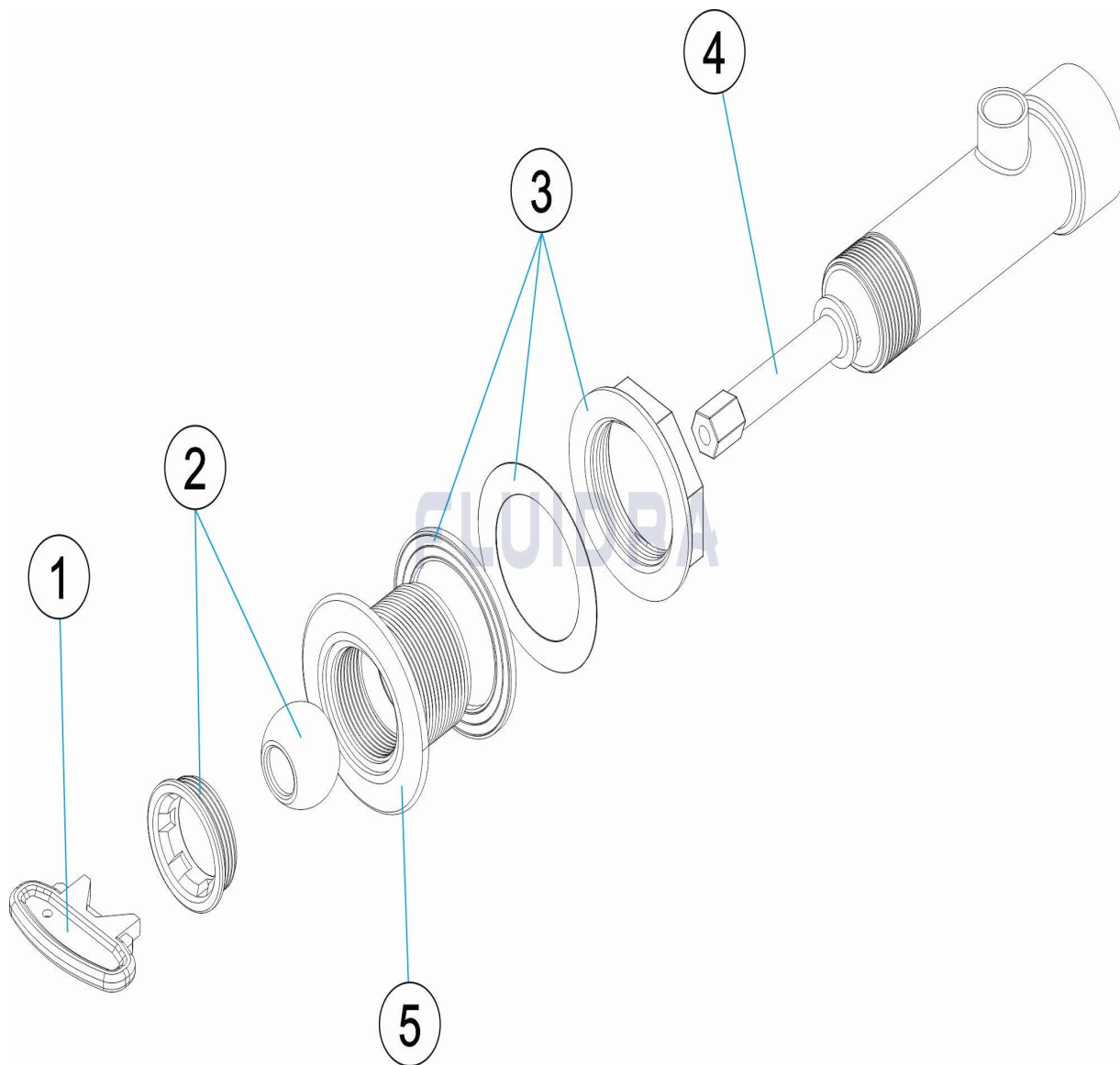
DESCRIPCION: BOQUILLA PARA MASAJE PISCINA PREFABRICADA L- 169 - 254 M/M.

OBSERVACIONES

POS	CODIGO	OBSERVACIONES
2	* 4402045301	PARA: 32114, 32384 WHITE
2	* 4402040132	PARA: 32114CL090, 32384CL090 BEIGE
2	* 4402040133	PARA: 32114CL129, 32384CL129 GREY
2	* 4402040134	PARA: 32114CL144, 32384CL144 ANTHRACITE
4	* 4402045102	PARA: 32114, 32114CL090, 32114CL129, 32114CL144
4	* 4402045103	PARA: 32384, 32384CL090, 32384CL129, 32384CL144
5	* 17239R0001	PARA: 32114, 32384 WHITE
5	* 17239R0001CL090	PARA: 32114CL090, 32384CL090 BEIGE
5	* 17239R0001CL129	PARA: 32114CL129, 32384CL129 GREY
5	* 17239R0001CL144	PARA: 32114CL144, 32384CL144 ANTHRACITE

CODE **32114, 32114CL090, 32114CL129, 32114CL144, 32384, 32384CL090, 32384CL129, 32384CL144**

DESCRIPTION: **JET MASSAGE PISCINE PRÉFABRIQUÉE L - 169 - 254 M/M.**



FRANCAIS

POS	CODE	DESCRIPTION	QUANTITE	POS	CODE	DESCRIPTION	QUANTITE
1	4402040304	CLEF POUR BUSE		4	* 4402045102	TRAVERSÉES DE PAROI VENTURI L-169 M/	
2	* 4402045301	ROTULE 20 + ECROU		4	* 4402045103	TRAVERSÉES DE PAROI VENTURI L-254 M/	
2	* 4402040132	ROTULE 20 + ECROU		5	* 17239R0001	CORPS DE LA BUSE	
2	* 4402040133	ROTULE 20 + ECROU		5	* 17239R0001CL090	CORPS DE LA BUSE	
2	* 4402040134	ROTULE 20 + ECROU		5	* 17239R0001CL129	CORPS DE LA BUSE	
3	4402045302	JOINTS + ECROU		5	* 17239R0001CL144	CORPS DE LA BUSE	

CODE **32114, 32114CL090, 32114CL129, 32114CL144, 32384, 32384CL090, 32384CL129, 32384CL144**

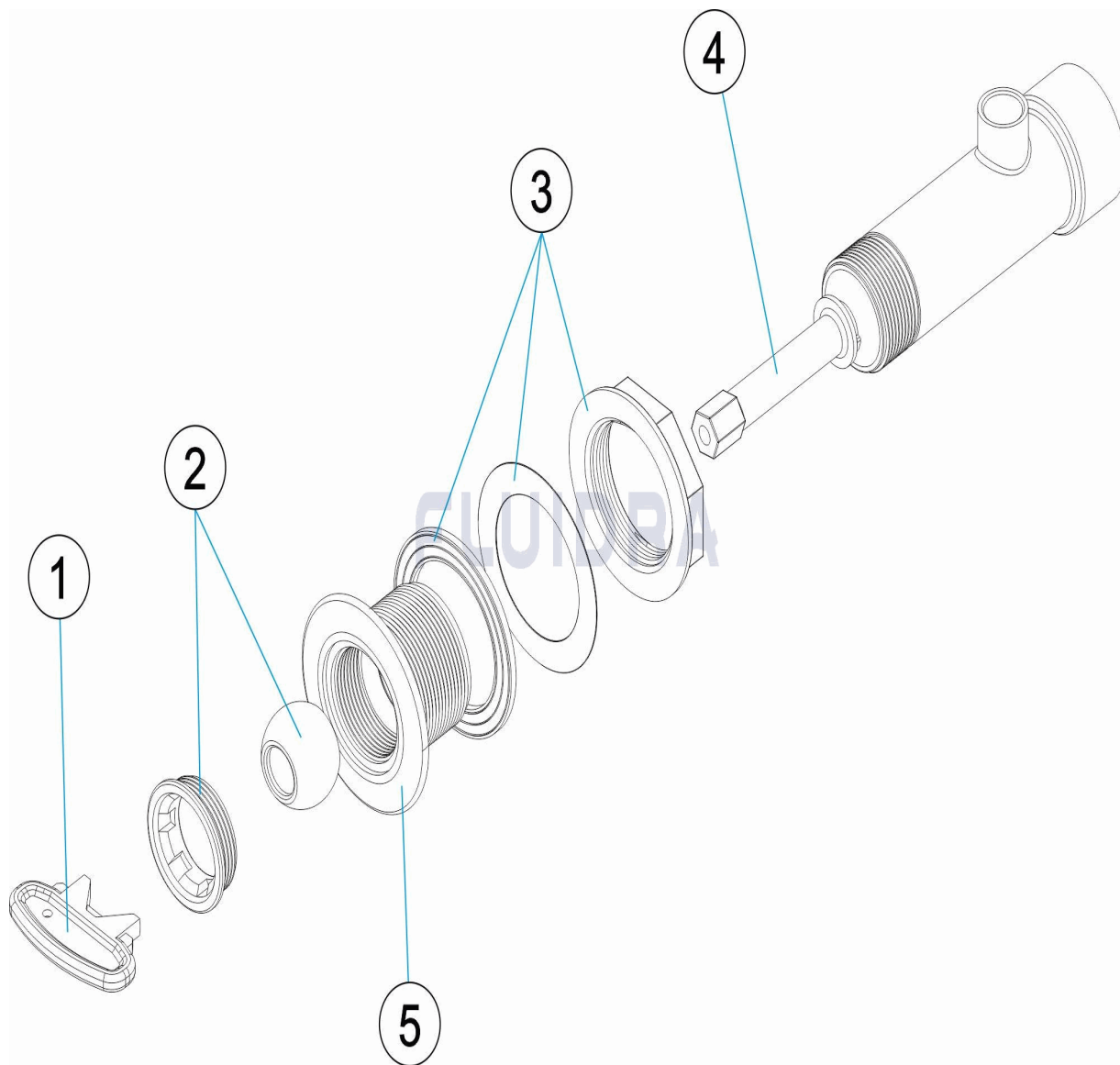
DESCRIPTION: **JET MASSAGE PISCINE PRÉFABRIQUÉE L - 169 - 254 M/M.**

OBSERVATIONS

POS	CODE	OBSERVATIONS
2	* 4402045301	POUR: 32114, 32384 WHITE
2	* 4402040132	POUR: 32114CL090, 32384CL090 BEIGE
2	* 4402040133	POUR: 32114CL129, 32384CL129 GREY
2	* 4402040134	POUR: 32114CL144, 32384CL144 ANTHRACITE
4	* 4402045102	POUR: 32114, 32114CL090, 32114CL129, 32114CL144
4	* 4402045103	POUR: 32384, 32384CL090, 32384CL129, 32384CL144
5	* 17239R0001	POUR: 32114, 32384 WHITE
5	* 17239R0001CL090	POUR: 32114CL090, 32384CL090 BEIGE
5	* 17239R0001CL129	POUR: 32114CL129, 32384CL129 GREY
5	* 17239R0001CL144	POUR: 32114CL144, 32384CL144 ANTHRACITE

CODE **32114, 32114CL090, 32114CL129, 32114CL144, 32384, 32384CL090, 32384CL129, 32384CL144**

DESCRIPTION: **MASSAGE NOZZLES, PREABRICATED POOL L - 169 - 254 M/M**



ENGLISH

POS	CODE	DESCRIPTION	QUANTITY	POS	CODE	DESCRIPTION	QUANTITY
1	4402040304	KEY FOR INLET		4	* 4402045102	VENTRUI WALL CONDUIT L-169 MM	
2	* 4402045301	EYE BALL NOZZLE 20 + NUT		4	* 4402045103	VENTRUI WALL CONDUIT L-254 MM	
2	* 4402040132	EYE BALL NOZZLE 20 + NUT		5	* 17239R0001	INLET BASE	
2	* 4402040133	EYE BALL NOZZLE 20 + NUT		5	* 17239R0001CL090	INLET BASE	
2	* 4402040134	EYE BALL NOZZLE 20 + NUT		5	* 17239R0001CL129	INLET BASE	
3	4402045302	GAKETS + NUT		5	* 17239R0001CL144	INLET BASE	

CODE **32114, 32114CL090, 32114CL129, 32114CL144, 32384, 32384CL090,
 32384CL129, 32384CL144**

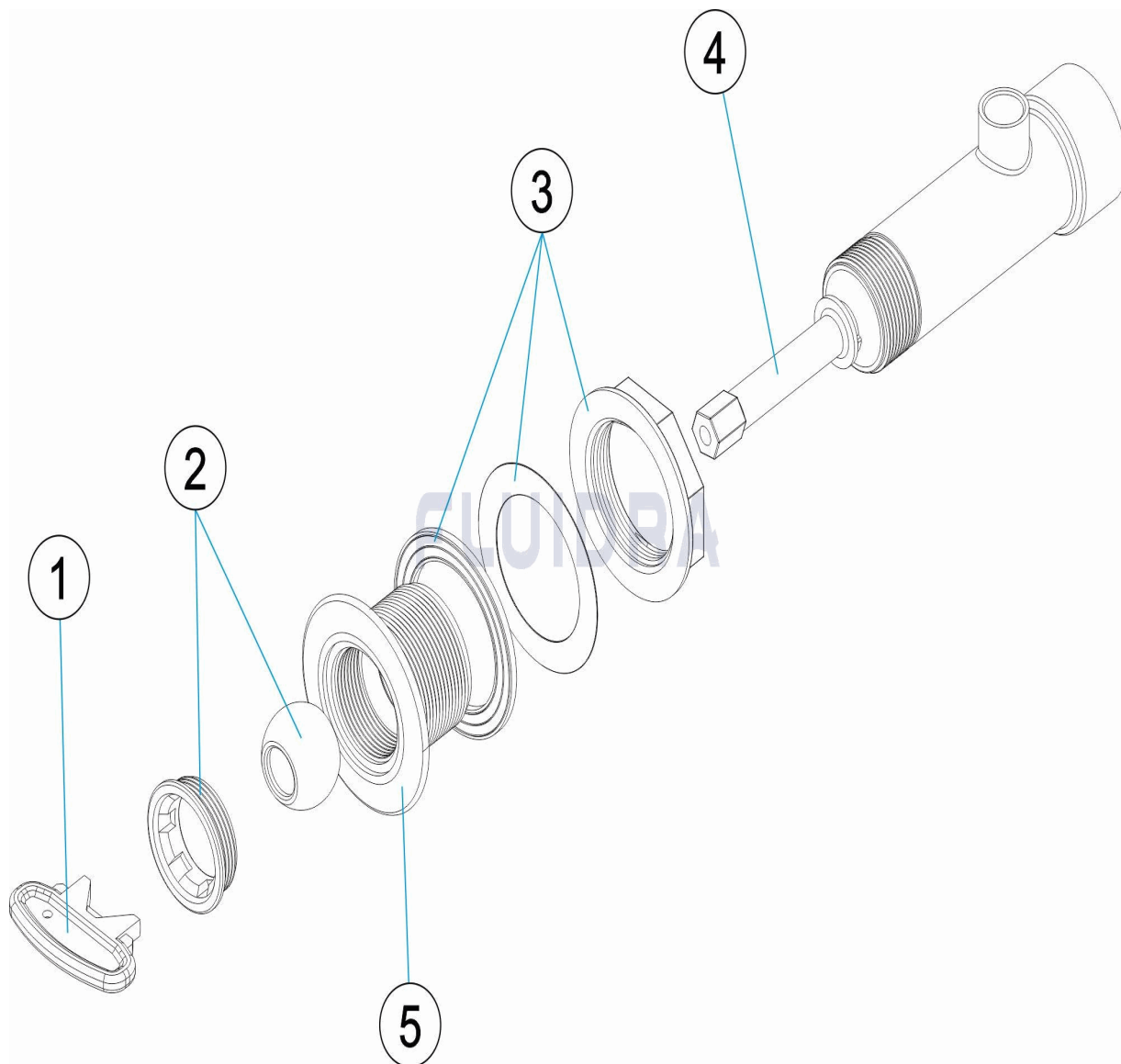
DESCRIPTION: **MESSAGE NOZZLES, PREABRICATED POOL L - 169 - 254 M/M**

OBSERVATIONS

POS	CODE	OBSERVATIONS
2	* 4402045301	FOR: 32114, 32384 WHITE
2	* 4402040132	FOR: 32114CL090, 32384CL090 BEIGE
2	* 4402040133	FOR: 32114CL129, 32384CL129 GREY
2	* 4402040134	FOR: 32114CL144, 32384CL144 ANTHRACITE
4	* 4402045102	FOR: 32114, 32114CL090, 32114CL129, 32114CL144
4	* 4402045103	FOR: 32384, 32384CL090, 32384CL129, 32384CL144
5	* 17239R0001	FOR: 32114, 32384 WHITE
5	* 17239R0001CL090	FOR: 32114CL090, 32384CL090 BEIGE
5	* 17239R0001CL129	FOR: 32114CL129, 32384CL129 GREY
5	* 17239R0001CL144	FOR: 32114CL144, 32384CL144 ANTHRACITE

CODICE 32114, 32114CL090, 32114CL129, 32114CL144, 32384, 32384CL090, 32384CL129, 32384CL144

DESCRIZIONE: BOCCHETTA PER MASSAGGI PISCINA PREFABBRICATA L-169 - 254 M/M



ITALIANO

POS	CODICE	DESCRIZIONE	QUANTITA'	POS	CODICE	DESCRIZIONE	QUANTITA'
1	4402040304	CHIAVE		4	* 4402045102	PASSANTE A MURO CON SISTEMA VENTUF	
2	* 4402045301	SFERA 20 + GHIERA		4	* 4402045103	PASSANTE A MURO CON SISTEMA VENTUF	
2	* 4402040132	SFERA 20 + GHIERA		5	* 17239R0001	BASE BOCCHETTA	
2	* 4402040133	SFERA 20 + GHIERA		5	* 17239R0001CL090	BASE BOCCHETTA	
2	* 4402040134	SFERA 20 + GHIERA		5	* 17239R0001CL129	BASE BOCCHETTA	
3	4402045302	GUARNIZIONI + GHIERA		5	* 17239R0001CL144	BASE BOCCHETTA	

CODICE **32114, 32114CL090, 32114CL129, 32114CL144, 32384, 32384CL090, 32384CL129, 32384CL144**

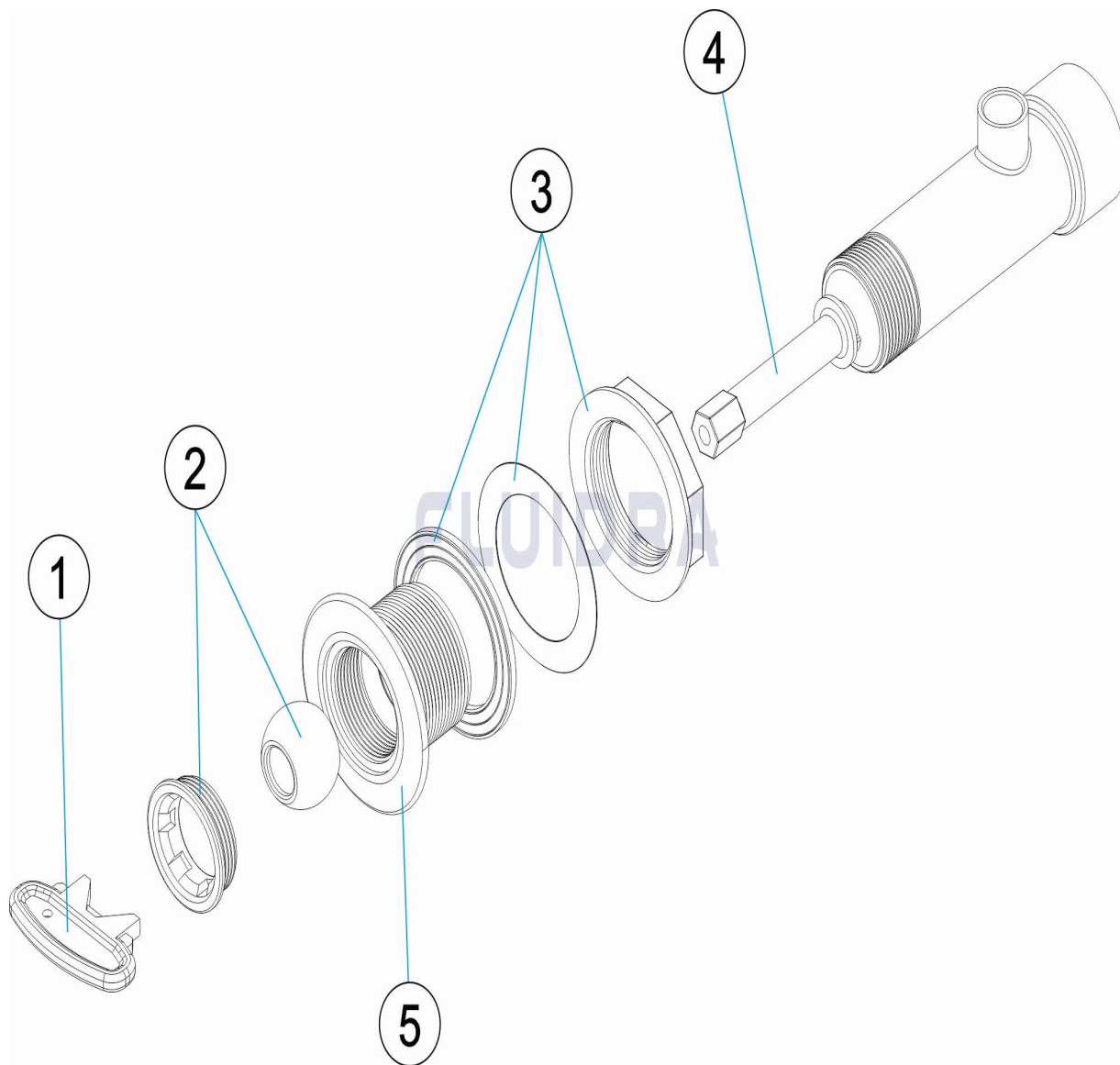
DESCRIZIONE: BOCCHETTA PER MASSAGGI PISCINA PREFABBRICATA L-169 - 254 M/M

OSSERVAZIONI

POS	CODICE	OSSERVAZIONI
2	* 4402045301	PER: 32114, 32384 WHITE
2	* 4402040132	PER: 32114CL090, 32384CL090 BEIGE
2	* 4402040133	PER: 32114CL129, 32384CL129 GREY
2	* 4402040134	PER: 32114CL144, 32384CL144 ANTHRACITE
4	* 4402045102	PER: 32114, 32114CL090, 32114CL129, 32114CL144
4	* 4402045103	PER: 32384, 32384CL090, 32384CL129, 32384CL144
5	* 17239R0001	PER: 32114, 32384 WHITE
5	* 17239R0001CL090	PER: 32114CL090, 32384CL090 BEIGE
5	* 17239R0001CL129	PER: 32114CL129, 32384CL129 GREY
5	* 17239R0001CL144	PER: 32114CL144, 32384CL144 ANTHRACITE

CODE **32114, 32114CL090, 32114CL129, 32114CL144, 32384, 32384CL090, 32384CL129, 32384CL144**

BESCHREIBUNG: **MASSAGEDÜSE FERTIGBECKEN L- 169 - 254 M/M**



DEUTSCH

POS	CODE	BESCHREIBUNG	MENGE	POS	CODE	BESCHREIBUNG	MENGE
1	4402040304	SCHLÜSSEL DÜSE		4	* 4402045102	VENTURI WANDDURCHFÜHRUNG L - 169 M	
2	* 4402045301	KUGEL D. 20 MIT MUTTER		4	* 4402045103	VENTURI WANDDURCHFÜHRUNG L - 254 M	
2	* 4402040132	KUGEL D. 20 MIT MUTTER		5	* 17239R0001	DÜSENBASIS MULTIFLOW	
2	* 4402040133	KUGEL D. 20 MIT MUTTER		5	* 17239R0001CL090	DÜSENBASIS MULTIFLOW	
2	* 4402040134	KUGEL D. 20 MIT MUTTER		5	* 17239R0001CL129	DÜSENBASIS MULTIFLOW	
3	4402045302	DICHTUNGEN MIT MUTTER		5	* 17239R0001CL144	DÜSENBASIS MULTIFLOW	

CODE **32114, 32114CL090, 32114CL129, 32114CL144, 32384, 32384CL090,
32384CL129, 32384CL144**

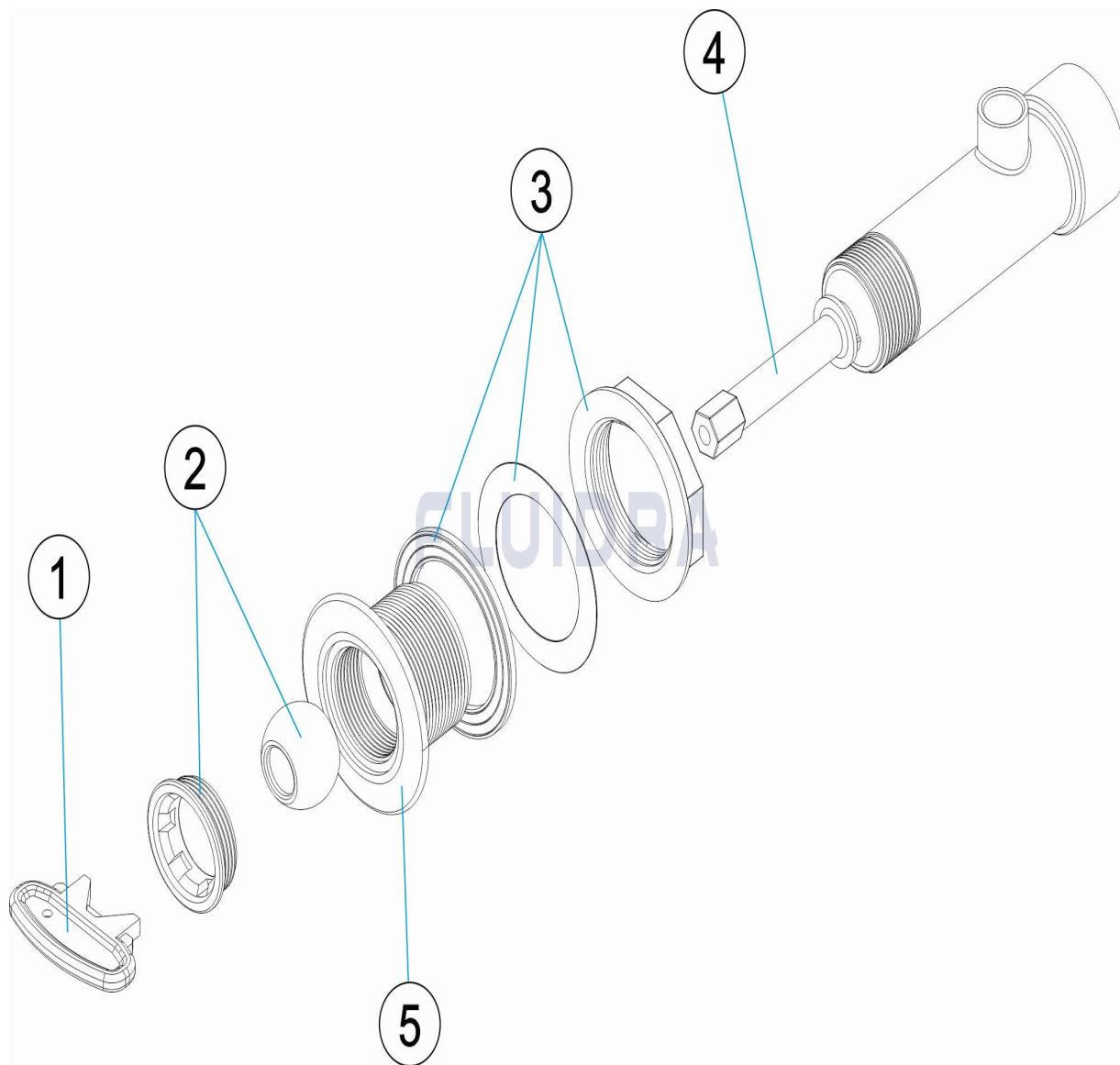
BESCHREIBUNG: **MASSAGEDÜSE FERTIGBECKEN L- 169 - 254 M/M**

HINWEISE

POS	CODE	HINWEISE
2	* 4402045301	FÜR: 32114, 32384 WHITE
2	* 4402040132	FÜR: 32114CL090, 32384CL090 BEIGE
2	* 4402040133	FÜR: 32114CL129, 32384CL129 GREY
2	* 4402040134	FÜR: 32114CL144, 32384CL144 ANTHRACITE
4	* 4402045102	FÜR: 32114, 32114CL090, 32114CL129, 32114CL144
4	* 4402045103	FÜR: 32384, 32384CL090, 32384CL129, 32384CL144
5	* 17239R0001	FÜR: 32114, 32384 WHITE
5	* 17239R0001CL090	FÜR: 32114CL090, 32384CL090 BEIGE
5	* 17239R0001CL129	FÜR: 32114CL129, 32384CL129 GREY
5	* 17239R0001CL144	FÜR: 32114CL144, 32384CL144 ANTHRACITE

CODIGO 32114, 32114CL090, 32114CL129, 32114CL144, 32384, 32384CL090, 32384CL129, 32384CL144

DESCRIÇÃO: BOQUILHA PARA MASSAGEM PISCINA PRÉ-FABRICADA L- 169 - 254 M/M.



PORTUGUES

POS	CODIGO	DESCRIÇÃO	JANTIDADE	POS	CODIGO	DESCRIÇÃO	JANTIDADE
1	4402040304	CHAVE BOCA		4	* 4402045102	VENTURI PASAMUROS L-169 M/M.	
2	* 4402045301	BOLA 20 + PORCA		4	* 4402045103	VENTURI PASAMUROS L-254 M/M.	
2	* 4402040132	BOLA 20 + PORCA		5	* 17239R0001	BASE BOCA	
2	* 4402040133	BOLA 20 + PORCA		5	* 17239R0001CL090	BASE BOCA	
2	* 4402040134	BOLA 20 + PORCA		5	* 17239R0001CL129	BASE BOCA	
3	4402045302	JUNTAS + PORCA		5	* 17239R0001CL144	BASE BOCA	

CODIGO **32114, 32114CL090, 32114CL129, 32114CL144, 32384, 32384CL090, 32384CL129, 32384CL144**

DESCRIÇÃO: BOQUILHA PARA MASSAGEM PISCINA PRÉ-FABRICADA L- 169 - 254 M/M.

OBSERVAÇÕES

POS	CODIGO	OBSERVAÇÕES
2	* 4402045301	PARA: 32114, 32384 WHITE
2	* 4402040132	PARA: 32114CL090, 32384CL090 BEIGE
2	* 4402040133	PARA: 32114CL129, 32384CL129 GREY
2	* 4402040134	PARA: 32114CL144, 32384CL144 ANTHRACITE
4	* 4402045102	PARA: 32114, 32114CL090, 32114CL129, 32114CL144
4	* 4402045103	PARA: 32384, 32384CL090, 32384CL129, 32384CL144
5	* 17239R0001	PARA: 32114, 32384 WHITE
5	* 17239R0001CL090	PARA: 32114CL090, 32384CL090 BEIGE
5	* 17239R0001CL129	PARA: 32114CL129, 32384CL129 GREY
5	* 17239R0001CL144	PARA: 32114CL144, 32384CL144 ANTHRACITE