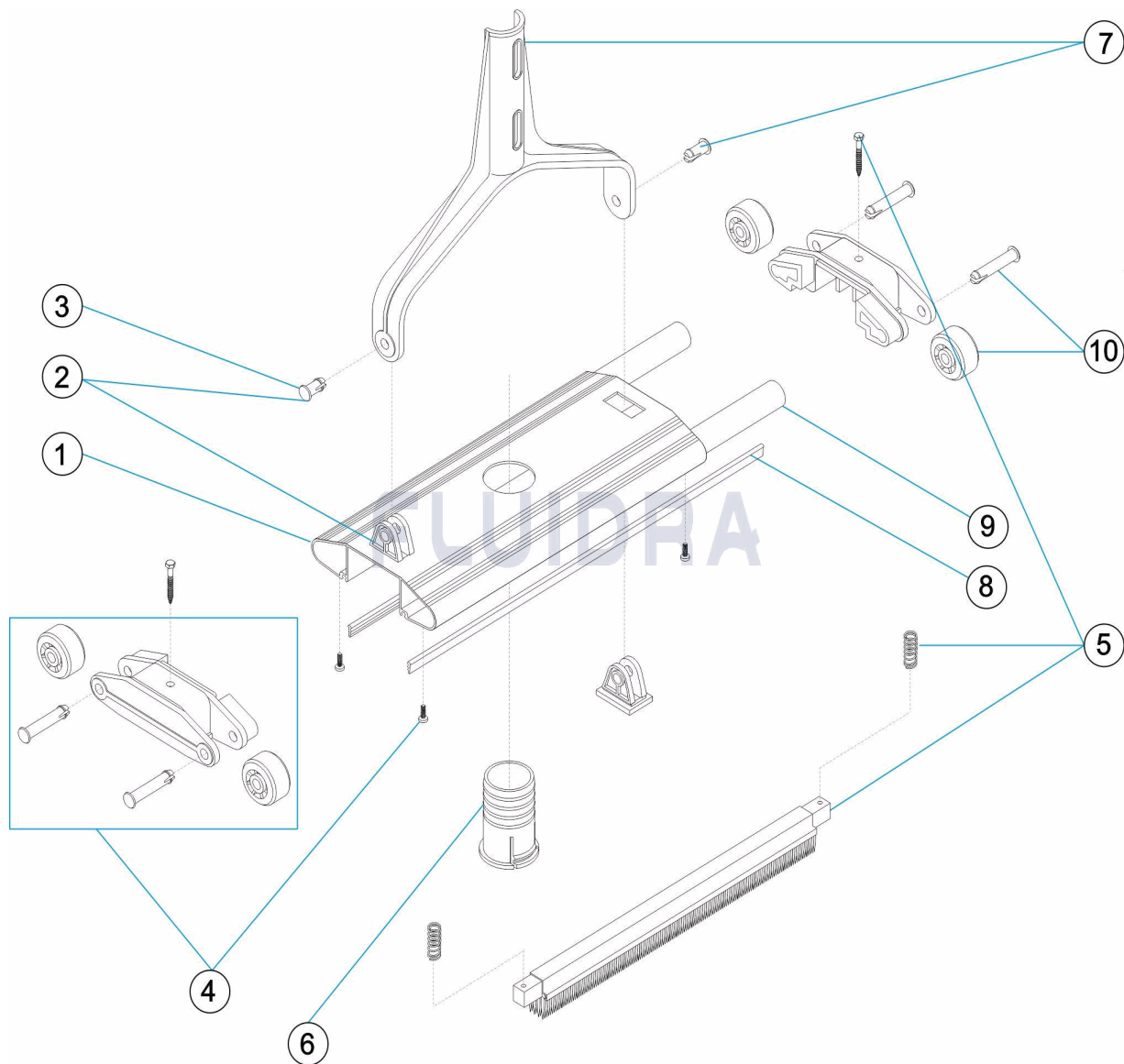


CODIGO **01353**

DESCRIPCION: LIMPIAFONDOS MANUAL 1 ½" L=350"

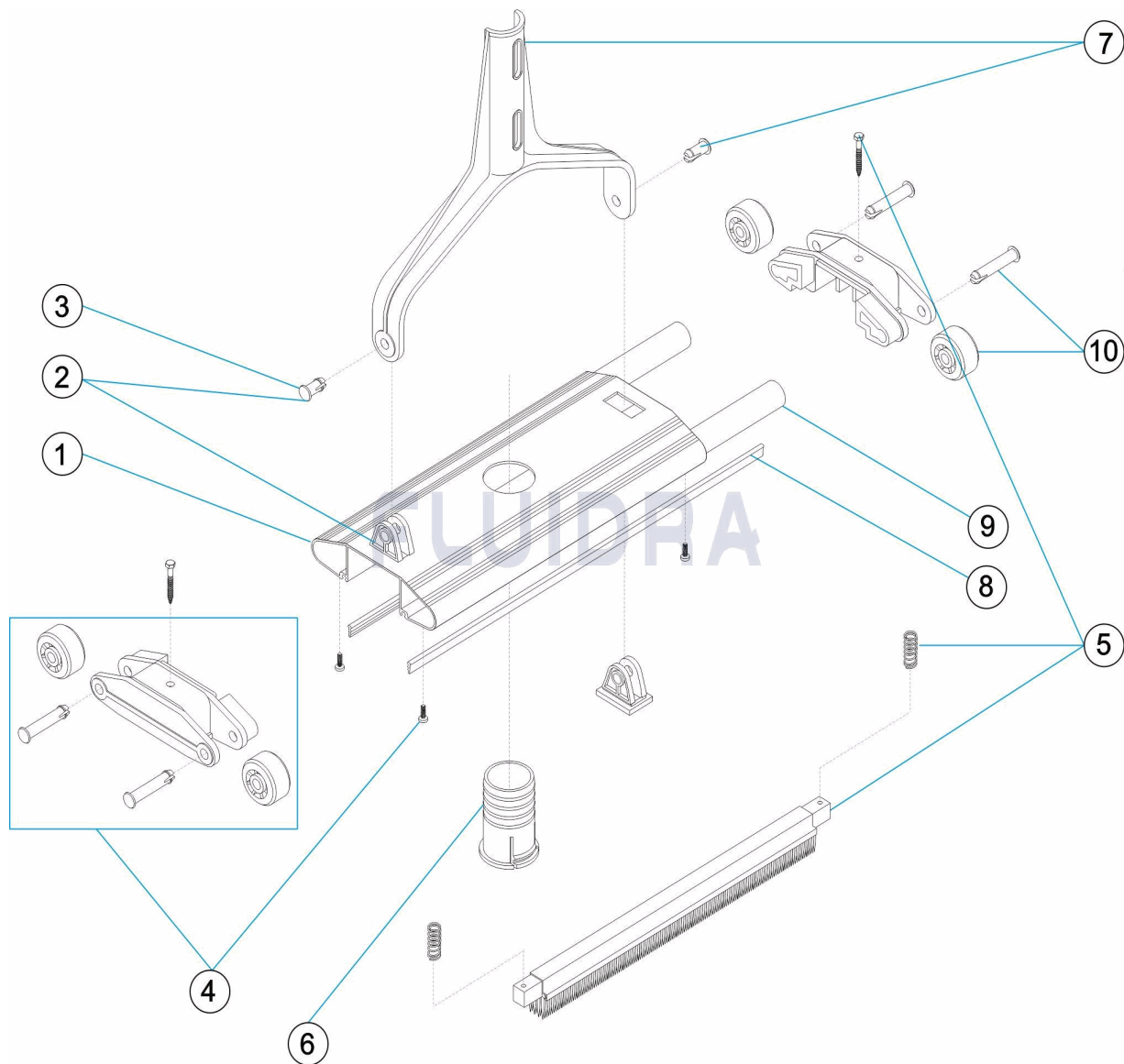


ESPAÑOL

POS	CODIGO	DESCRIPCION	CANTIDAD	POS	CODIGO	DESCRIPCION	CANTIDAD
1	4406020401	CUERPO LIMPIAFONDOS 1 1/2'		6	4406020408	RACORD LIMPIAFONDOS 1 1/2'	
2	4406020403	PASADORES Y OREJETAS		7	4406020410	HORQUILLA PALOMILLAS	
3	4406020404	PASADORES HORQUILLA		8	4406020411	DEFLECTOR LIMPIAFONDOS 1 ½'	
4	4406020405	TACO LATERAL LIMPIAFONDOS		9	4406020413	PLOMOS LIMPIAFONDOS 1 ½'	
5	4406020406	CEPILLO LIMPIAFONDOS 1 ½'		10	4406020206	RUEDAS LIMPIAFONDOS	

CODE 01353

DESCRIPTION: NETTOYEUR DE FOND MANUEL 1 1/2" L=350"

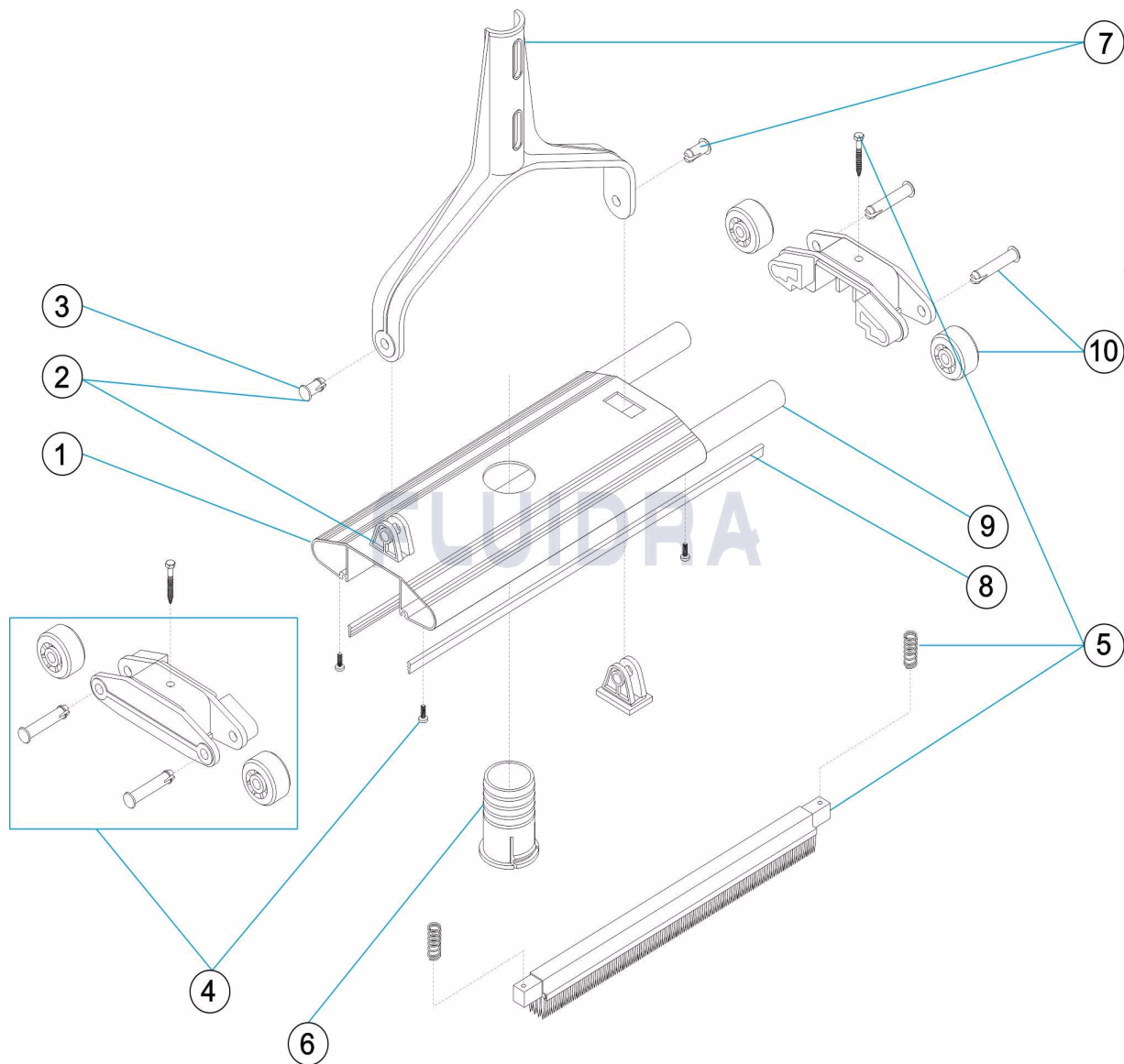


FRANCAIS

POS	CODE	DESCRIPTION	QUANTITE	POS	CODE	DESCRIPTION	QUANTITE
1	4406020401	CORPS ASPIRATEUR ANODISE		6	4406020408	RACCORD 1 1/2' ASPIRATEUR	
2	4406020403	SUPPORTS ÉTRIER ET AXES		7	4406020410	ÉTRIER POUR PAPILLONS	
3	4406020404	AXES ÉTRIER		8	4406020411	DÉFLECTEUR ASPIRATEUR 1 1/2"	
4	4406020405	SUPPORT LATÉRAL ASPIRATEURS		9	4406020413	PLOMB ASPIRATEUR 1 1/2"	
5	4406020406	BROSSE ASPIRATEUR 1 1/2"		10	4406020206	ROUES ASPIRATEURS	

CODE **01353**

DESCRIPTION: **MANUAL POOL CLEANER 1 1/2" L=350"**

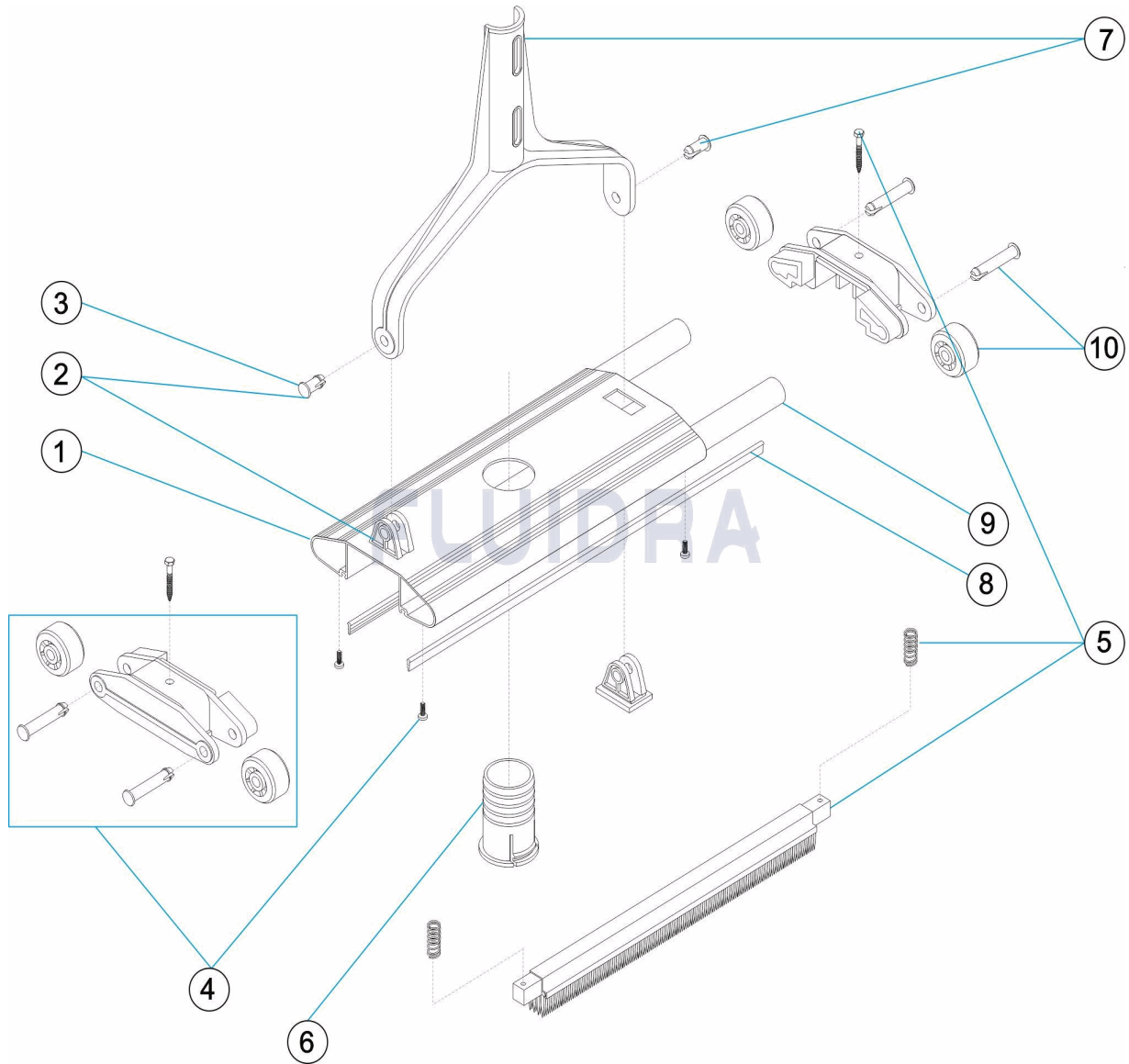


ENGLISH

POS	CODE	DESCRIPTION	QUANTITY	POS	CODE	DESCRIPTION	QUANTITY
1	4406020401	METAL VAC HEAD BODY		6	4406020408	VAC HEAD FITTING 1 1/2"	
2	4406020403	PINS AND LUGS		7	4406020410	HANDLE WITH BUTTERFLY FIXING	
3	4406020404	HITCH PIN		8	4406020411	VAC HEAD DEFLECTOR 1 1/2"	
4	4406020405	VAC HEAD END PIECES		9	4406020413	VAC HEAD WEIGHTS 1 1/2"	
5	4406020406	VAC HEAD BRUSH 1 1/2"		10	4406020206	VAC HEAD WHEELS	

CODICE **01353**

DESCRIZIONE: **PULISCIFONDI MANUALE 1 1/2" L=350"**

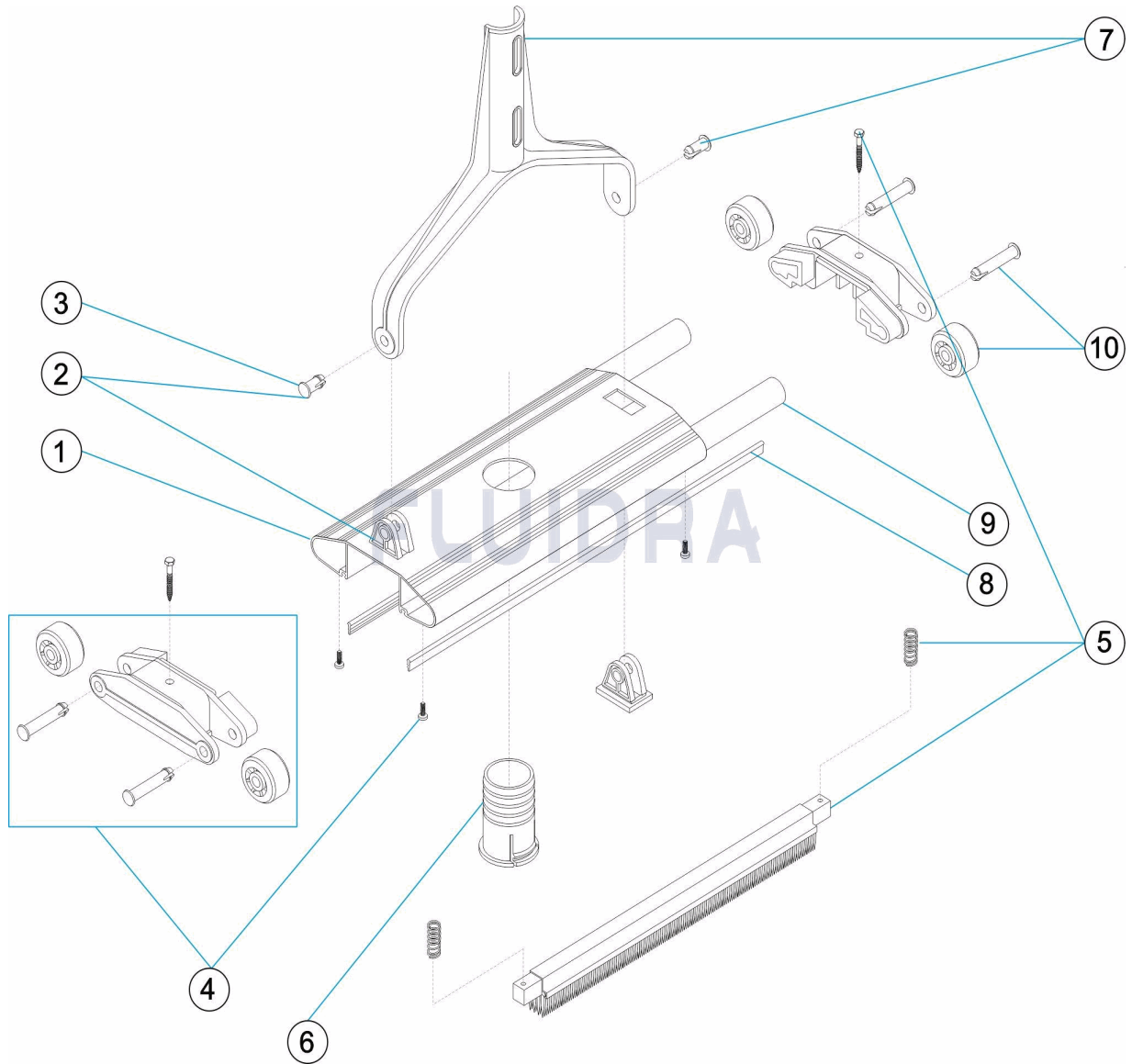


ITALIANO

POS	CODICE	DESCRIZIONE	QUANTITA'	POS	CODICE	DESCRIZIONE	QUANTITA'
1	4406020401	CORPO ASPIRAFANGO ESTRUSO		6	4406020408	RACCORDO ASPIRAFANGO 1 1/2"	
2	4406020403	PASSANTI + SUPPORTI		7	4406020410	FORCELLA PER FARFALLA	
3	4406020404	PASSANTI FORCELLA		8	4406020411	DEFLETTORE ASPIRAFANGO 1 1/2"	
4	4406020405	TAPPO LATERALE ASPIRAFANGO		9	4406020413	PESI ASPIRAFANGO 1 1/2"	
5	4406020406	SPAZZOLA ASPIRAFANGO 1 1/2"		10	4406020206	RUOTE ASPIRAFANGO	

CODE **01353**

BESCHREIBUNG: **MANUELLER BODENREINIGER 1 1/2" L=350"**

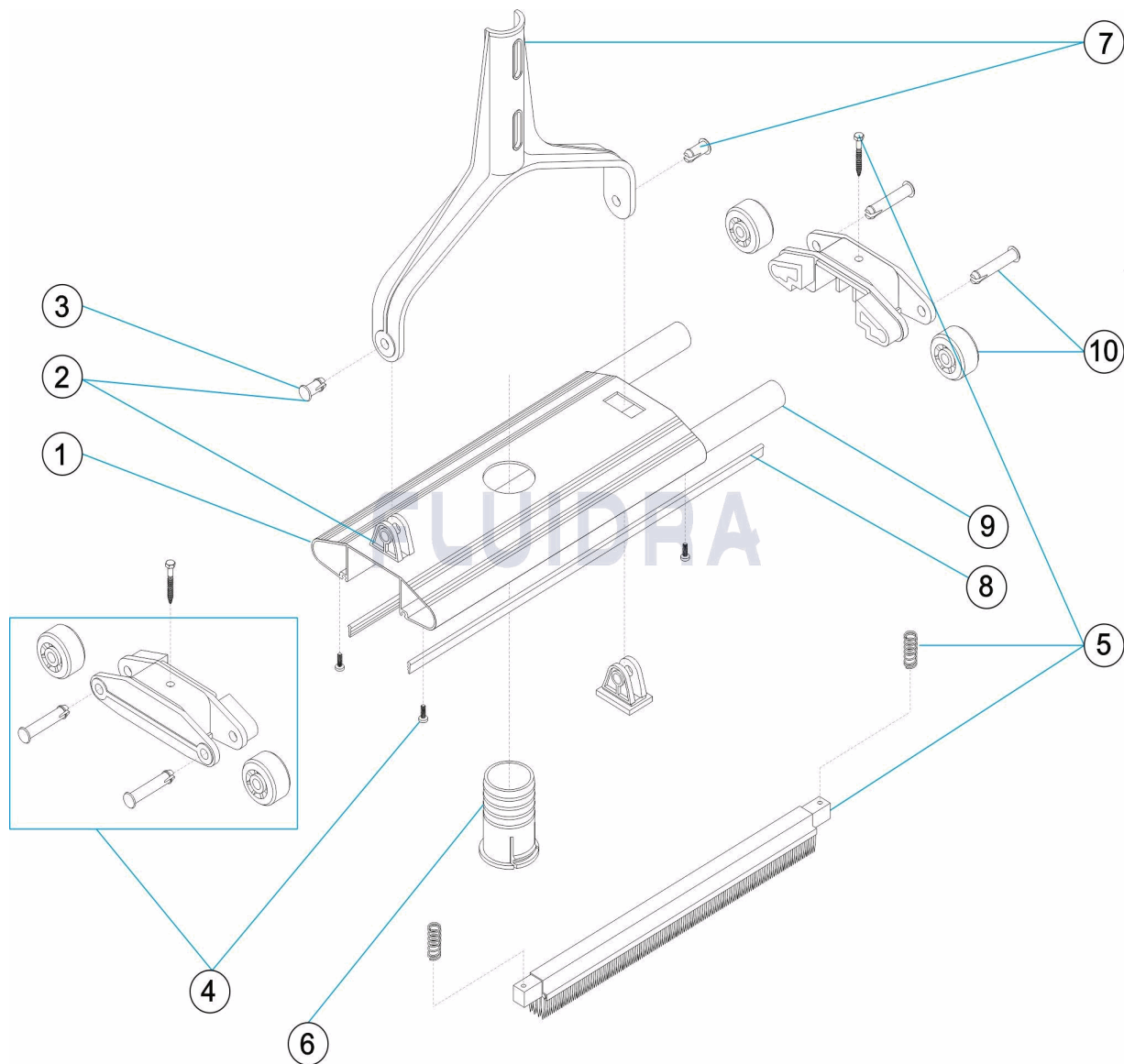


DEUTSCH

POS	CODE	BESCHREIBUNG	MENGE	POS	CODE	BESCHREIBUNG	MENGE
1	4406020401	GEHÄUSE BODENREINIGER 1 1/2'		6	4406020408	GEWINDESTÜCK BODENREINIGER 1 1/2'	
2	4406020403	STIFTE UND LASCHEN		7	4406020410	GABEL FLÜGELMUTTERN	
3	4406020404	STIFTE GABEL		8	4406020411	DEFLEKTOR BODENREINIGER 1 1/2'	
4	4406020405	SEITENKEIL BODENREINIGER		9	4406020413	GEWICHTE BODENREINIGER 1 1/2'	
5	4406020406	BÜRSTE BODENREINIGER 1 1/2'		10	4406020206	RÄDER BODENREINIGER	

CODIGO **01353**

DESCRIÇÃO: **LIMPADOR DE FUNDOS MANUAL 1 1/2" L = 350"**



PORTUGUES

POS	CODIGO	DESCRIÇÃO	JANTIDADE	POS	CODIGO	DESCRIÇÃO	JANTIDADE
1	4406020401	CORPO ASP. EXTRUSIONADO		6	4406020408	RACORD ASPIRADOR 1 1/2"	
2	4406020403	PASSADORES COM OLHAIS		7	4406020410	FORQUILHA LIGAÇÃO PAFUSOS	
3	4406020404	PASSADORES FORQUILHA		8	4406020411	DEFLECTOR ASPIRADOR 1 1/2"	
4	4406020405	TACO LATERAL ASPIRADOR		9	4406020413	CHUMBOS ASPIRADOR 1 1/2"	
5	4406020406	ESCOVA ASP. ASPIRADOR 1 1/2"		10	4406020206	RODAS ASPIRADORES	