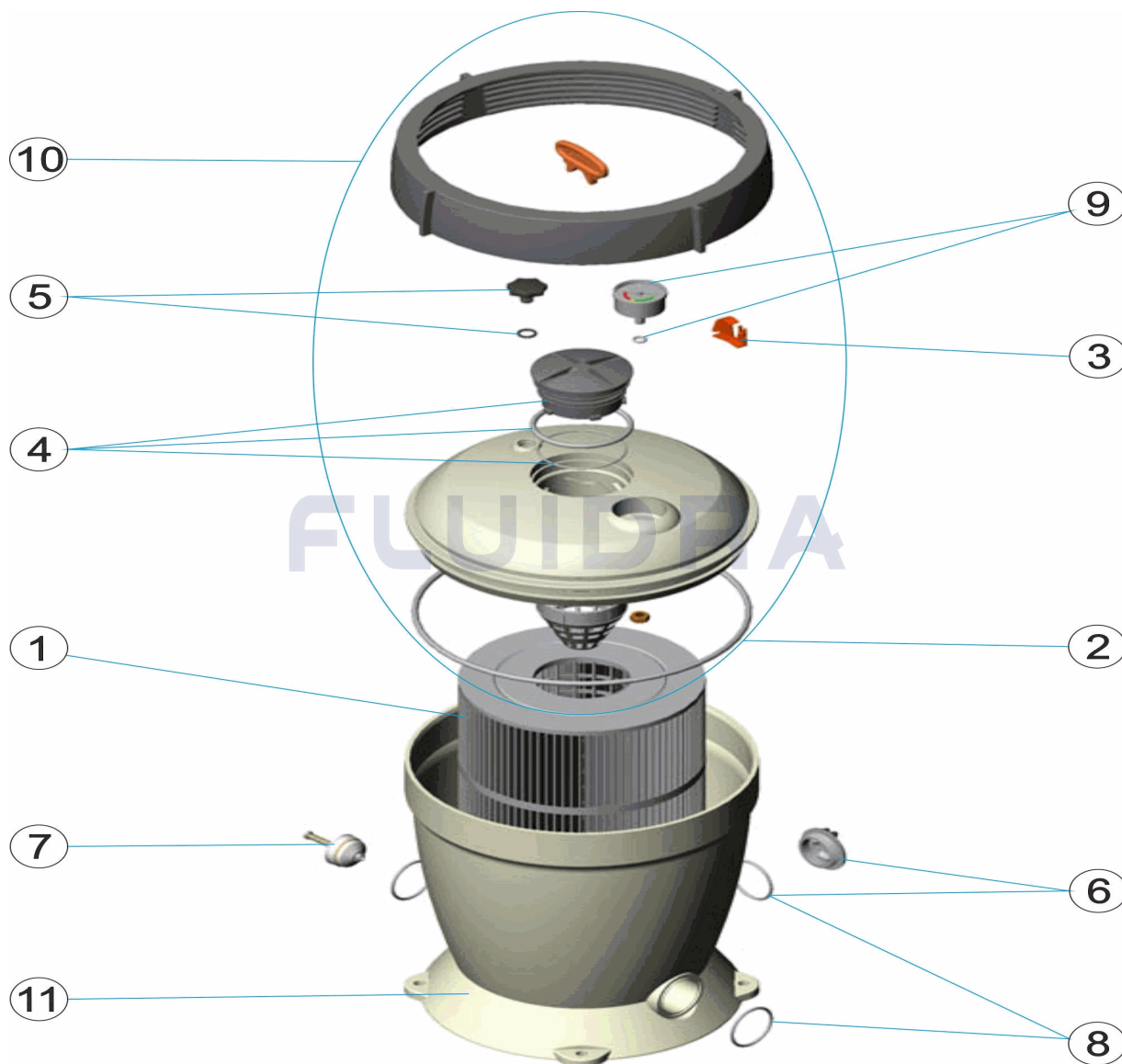


CODIGO 18111, 18215

DESCRIPCION: FILTRO CEL 30 Y 50 BSP



ESPAÑOL

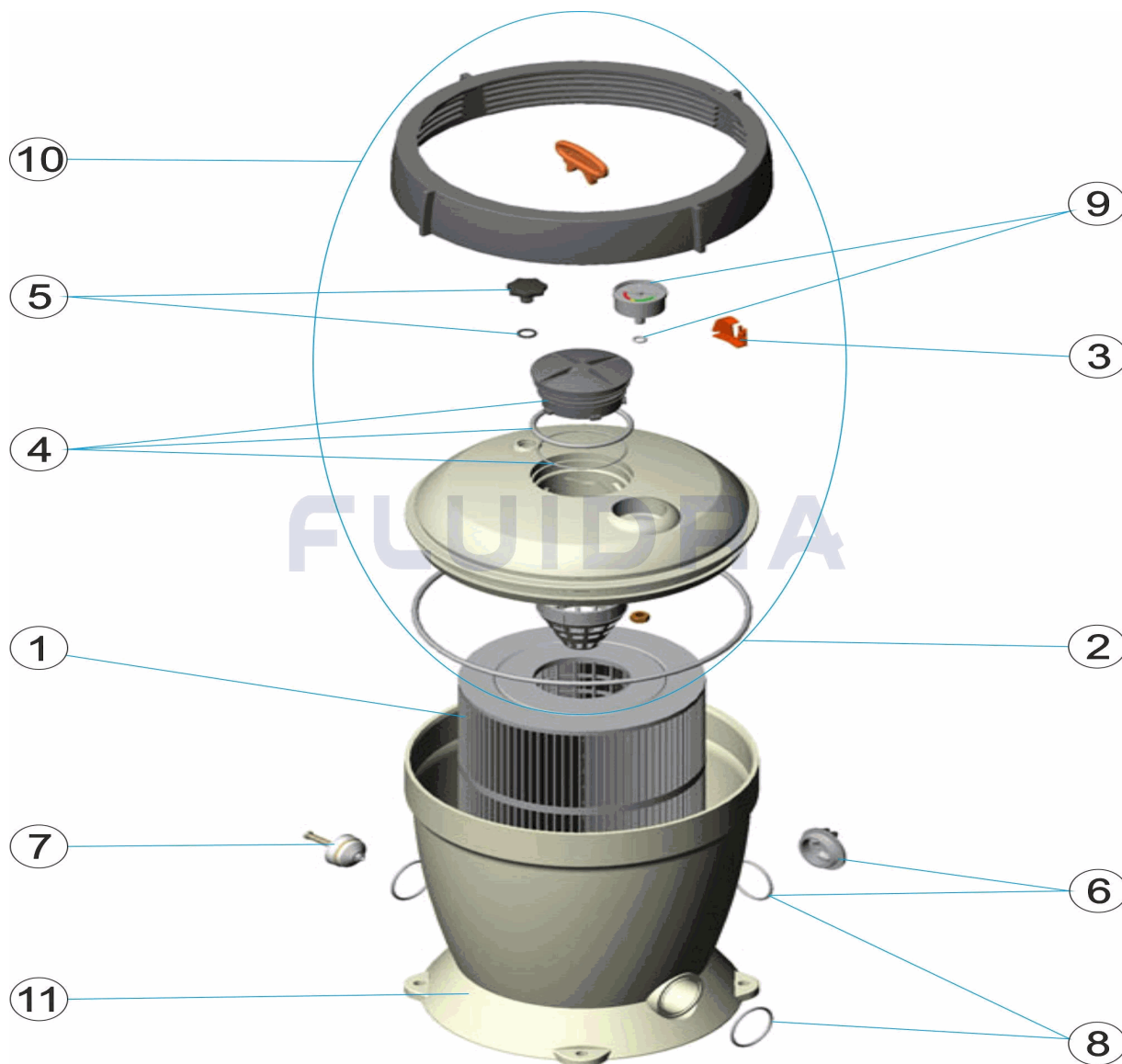
POS	CODIGO	DESCRIPCION	CANTIDAD	POS	CODIGO	DESCRIPCION	CANTIDAD
1	* 19789	CARTUCHO FILTRACION CEL 30		7	4404210407	VALVULA ANTIRETORNO	
1	* 19791	CARTUCHO FILTRACION CEL 50		8	4404210408	JUNTA TORICA	
2	4404210302	JUNTA TORICA		9	4404210303	MANOMETRO DIATOMEAS	
3	4404210403	PALANCA DE SEGURIDAD		10	4404210411	TAPA BAJA FILTRO DIATOMEAS	
4	4404210404	TAPON COMPLETO		11	* 18215R0001	CUERPO BAJO ABS	
5	4404210304	TAPON PURGA Y JUNTA		11	* 18111R0001	CUERPO ALTO BSP	
6	4404210309	TAPON VACIADO Y JUNTA					

CODIGO **18111, 18215**DESCRIPCION: **FILTRO CEL 30 Y 50 BSP****OBSERVACIONES**

POS	CODIGO	OBSERVACIONES
1	* 19789	PARA: 18215
1	* 19791	PARA: 18111
11	* 18215R0001	PARA: 18215
11	* 18111R0001	PARA: 18111

CODE 18111, 18215

DESCRIPTION: FILTRE CEL 30 ET 50 BSP



FRANCAIS

POS	CODE	DESCRIPTION	QUANTITE	POS	CODE	DESCRIPTION	QUANTITE
1	* 19789	CARTOUCHE DE FILTRE CEL 30		7	4404210407	VANNE ANTI-RETOUR	
1	* 19791	CARTOUCHE DE FILTRE CEL 50		8	4404210408	JOINT TORIQUE	
2	4404210302	JOINT TORIQUE		9	4404210303	MANOMETRE " DIATOMEA "	
3	4404210403	ECROU PLASTIQUE		10	4404210411	COUVERCLE INFERIEUR DE FILTRE DIATOI	
4	4404210404	BOUCHON COMPLET		11	* 18215R0001	PARTIE BASSE	
5	4404210304	BOUCHON PURGE ET JOINT		11	* 18111R0001	PARTIE HAUTE	
6	4404210309	BOUCHON DE VIDANGE ET JOINT					

CODE **18111, 18215**

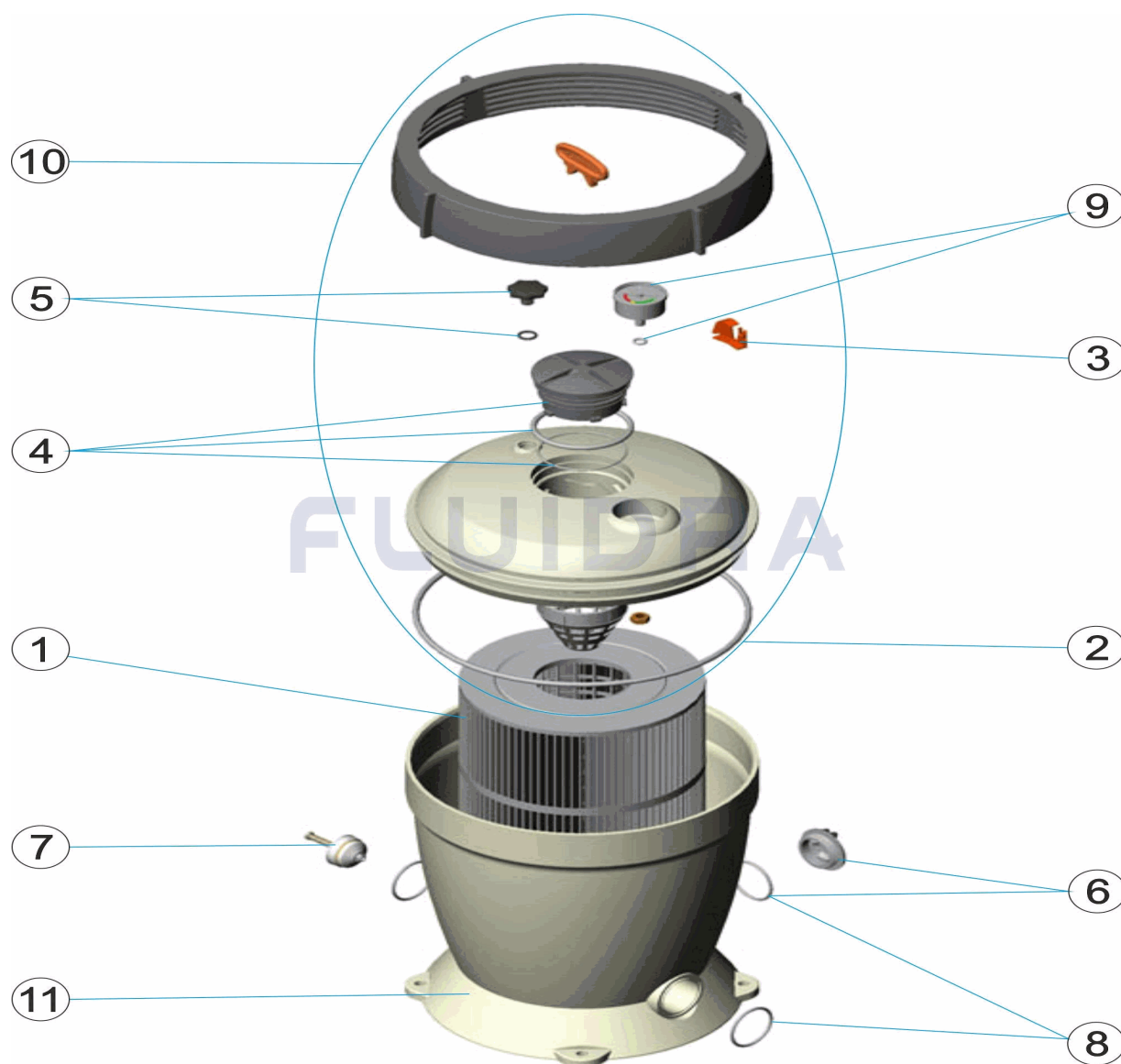
DESCRIPTION: **FILTRE CEL 30 ET 50 BSP**

OBSERVATIONS

POS	CODE	OBSERVATIONS
1	* 19789	POUR: 18215
1	* 19791	POUR: 18111
11	* 18215R0001	POUR: 18215
11	* 18111R0001	POUR: 18111

CODE 18111, 18215

DESCRIPTION: CEL FILTER 30 AND 50 BSP



ENGLISH

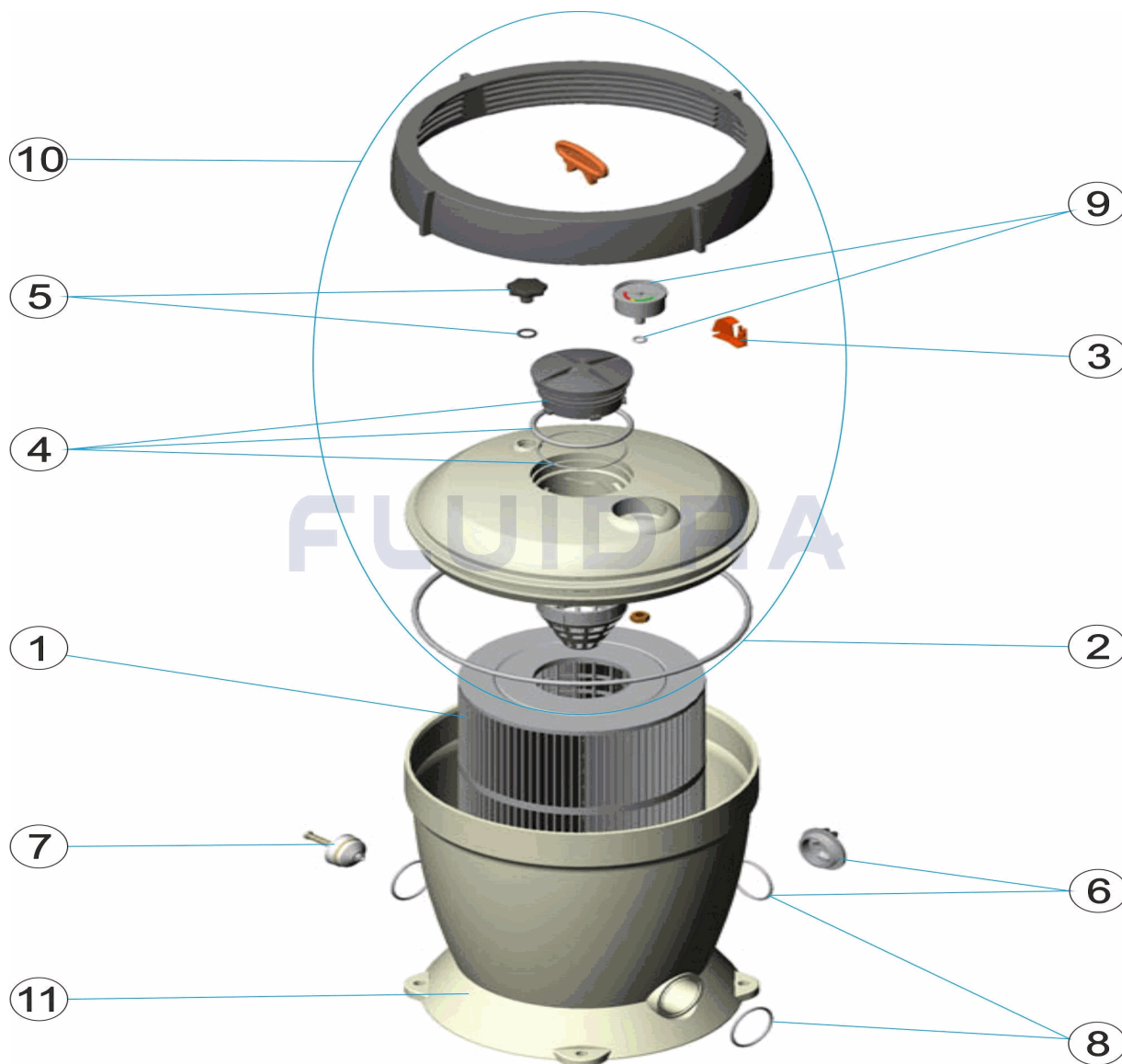
POS	CODE	DESCRIPTION	QUANTITY	POS	CODE	DESCRIPTION	QUANTITY
1	* 19789	CEL SERIES CARTRIDGE FILTER CEL 30		7	4404210407	CHECK VALVE	
1	* 19791	CEL SERIES CARTRIDGE FILTER CEL 50		8	4404210408	O' RING	
2	4404210302	O' RING		9	4404210303	PRESSURE GAUGE " DIATOMEA "	
3	4404210403	PLASTIC NUT		10	4404210411	DE FILTER LOW LID	
4	4404210404	COMPLETE PLUG		11	* 18215R0001	LOW BODY	
5	4404210304	DRAIN PLUG AND GASKET		11	* 18111R0001	HIGH BODY	
6	4404210309	WASTE PLUG AND GASKET					

CODE **18111, 18215**DESCRIPTION: **CEL FILTER 30 AND 50 BSP****OBSERVATIONS**

POS	CODE	OBSERVATIONS
1	* 19789	FOR: 18215
1	* 19791	FOR: 18111
11	* 18215R0001	FOR: 18215
11	* 18111R0001	FOR: 18111

CODICE 18111, 18215

DESCRIZIONE: FILTRO CEL 30 E 50 BSP



ITALIANO

POS	CODICE	DESCRIZIONE	QUANTITA'	POS	CODICE	DESCRIZIONE	QUANTITA'
1	* 19789	CARTUCCIA RICAMBIO PER FILTRO CEL 30		7	4404210407	VALVOLA ANTIRITORNO	
1	* 19791	CARTUCCIA RICAMBIO PER FILTRO CEL 50		8	4404210408	O-RING	
2	4404210302	O-RING		9	4404210303	MANOMETRO " DIATOMEA "	
3	4404210403	DADO DI PLASTICA		10	4404210411	COPERCHIO BASSO FILTRO A DIATOMEEES	
4	4404210404	TAPPO COMPLETO		11	* 18215R0001	COPERCHIO BASSO FILTRO TERRA	
5	4404210304	TAPPO SPURGO E GUARNIZIONE		11	* 18111R0001	COPERCHIO ALTO FILTRO TERRA	
6	4404210309	TAPPO SVUOTAMENTO E GUARNIZIONE					

CODICE **18111, 18215**

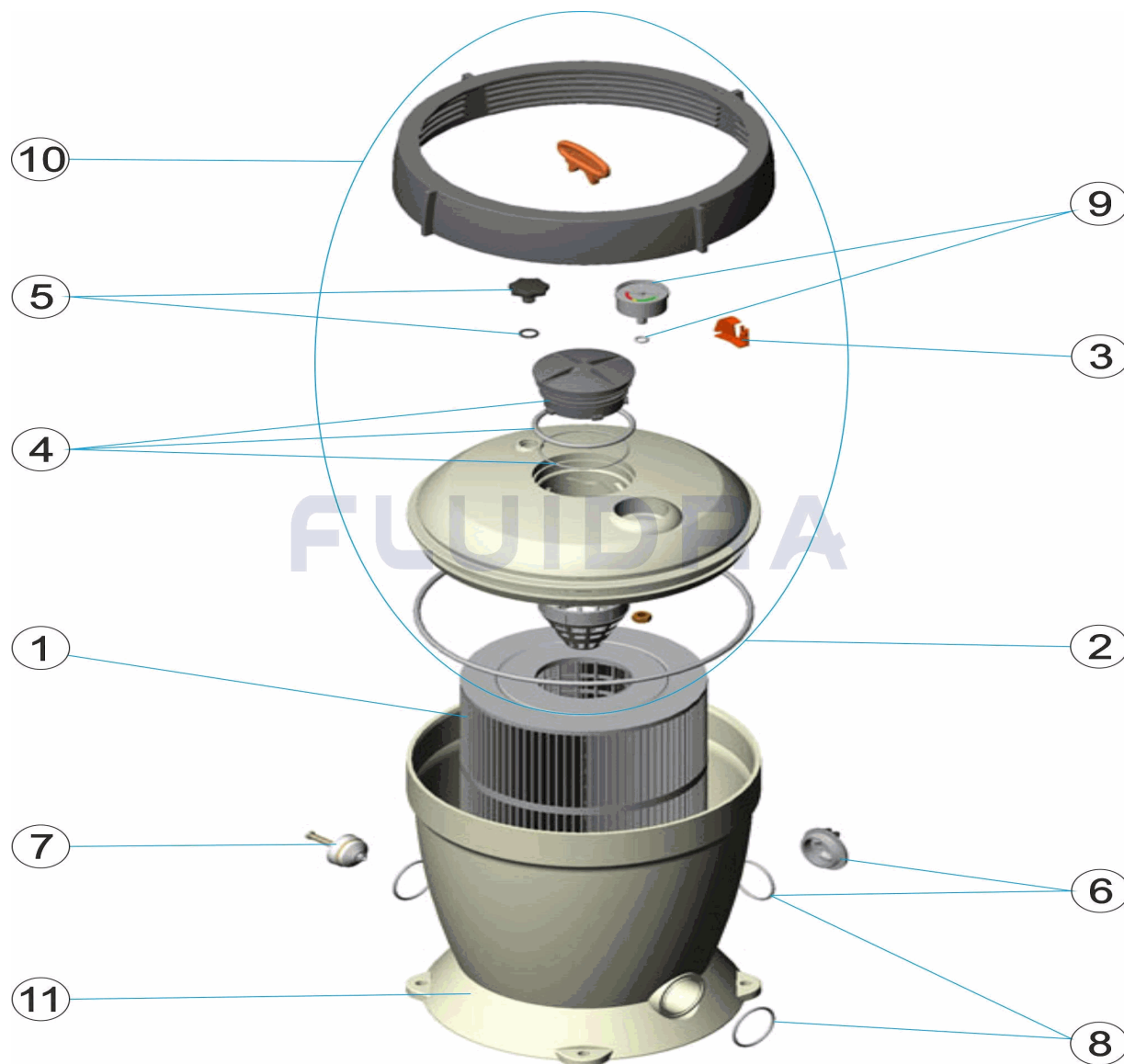
DESCRIZIONE: FILTRO CEL 30 E 50 BSP

OSSERVAZIONI

POS	CODICE	OSSERVAZIONI
1	* 19789	PER: 18215
1	* 19791	PER: 18111
11	* 18215R0001	PER: 18215
11	* 18111R0001	PER: 18111

CODE 18111, 18215

BESCHREIBUNG: FILTER CEL 30 UND 50 BSP



DEUTSCH

POS	CODE	BESCHREIBUNG	MENGE	POS	CODE	BESCHREIBUNG	MENGE
1	* 19789	KARTUSCHE FÜR CEL 30		7	4404210407	RÜCKSCHLAGVENTIL	
1	* 19791	KARTUSCHE FÜR CEL 50		8	4404210408	O-RING	
2	4404210302	O-RING		9	4404210303	MANOMETER DIATOMEAS	
3	4404210403	SICHERUNG		10	4404210411	ABDECKUNG UNTEN FILTER DIATOMEAS	
4	4404210404	STOPFEN KOMPLETT		11	* 18215R0001	GEHÄUSE UNTEN ABS	
5	4404210304	ABLASSSTOPFEN UND DICHTUNG		11	* 18111R0001	GEHÄUSE HOCH BSP	
6	4404210309	ABLASSSTOPFEN UND DICHTUNG					

CODE **18111, 18215**

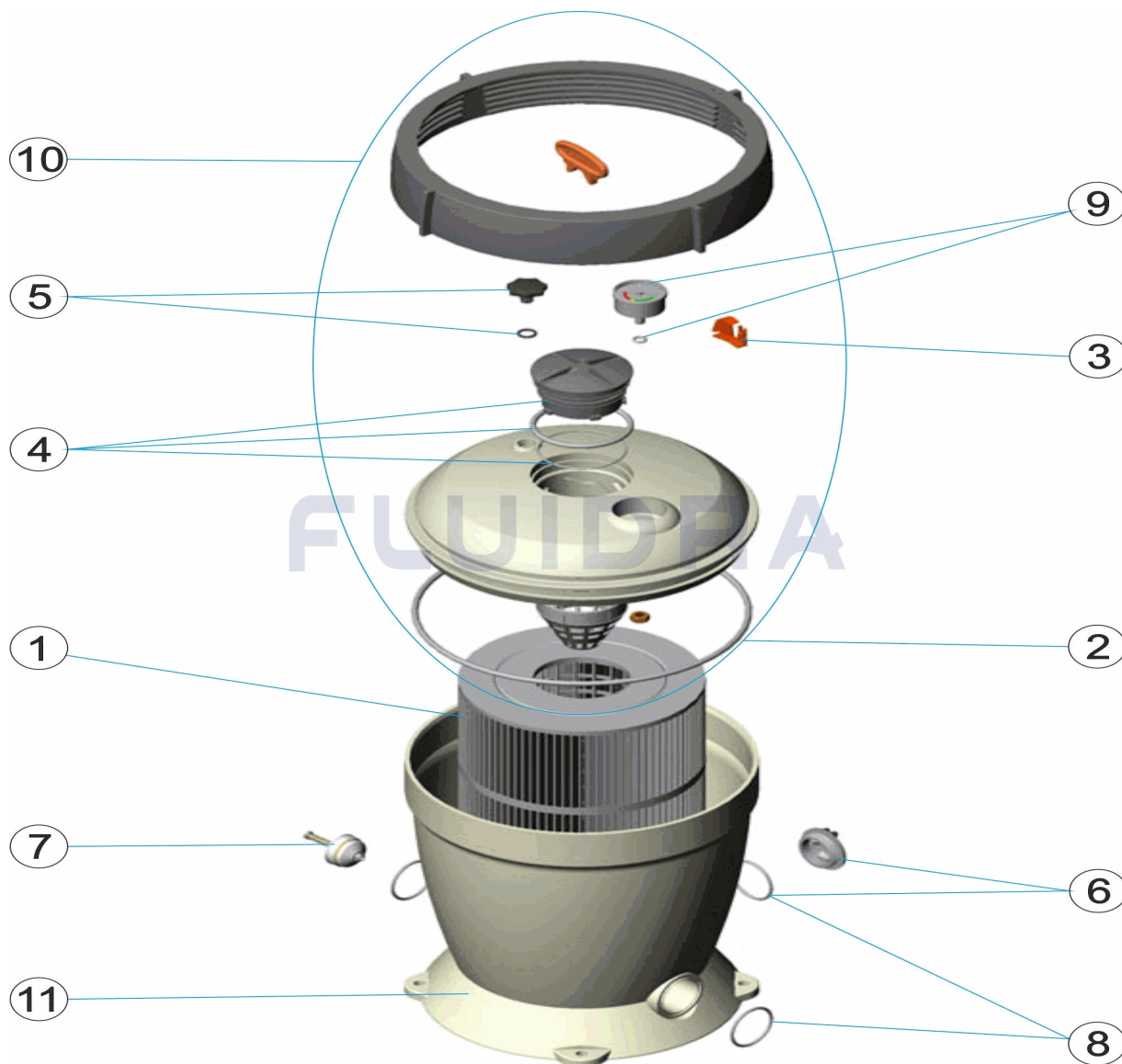
BESCHREIBUNG: **FILTER CEL 30 UND 50 BSP**

HINWEISE

POS	CODE	HINWEISE
1	* 19789	FÜR: 18215
1	* 19791	FÜR: 18111
11	* 18215R0001	FÜR: 18215
11	* 18111R0001	FÜR: 18111

CODIGO 18111, 18215

DESCRIÇÃO: FILTRO CEL 30 E 50 BSP



PORTUGUES

POS	CODIGO	DESCRIÇÃO	JANTIDADE	POS	CODIGO	DESCRIÇÃO	JANTIDADE
1	* 19789	CARTUCHO FILTRO CEL 30		7	4404210407	VÁLVULA ANTI-RETORNO	
1	* 19791	CARTUCHO FILTRO CEL 50		8	4404210408	JUNTA TÓRICA	
2	4404210302	JUNTA TÓRICA		9	4404210303	MANOMETRO " DIATOMEA "	
3	4404210403	PORCA PLÁSTICO		10	4404210411	TAMPA BAIXA FILTRO DIATOMITES	
4	4404210404	TAMPÃO COMPLETO		11	* 18215R0001	CORPO BAJO	
5	4404210304	TAMPÃO PURGA E JUNTA		11	* 18111R0001	CORPO ALTO	
6	4404210309	TAMPÃO ESVAZIAMENTO E JUNTA					

CODIGO 18111, 18215

DESCRIÇÃO: FILTRO CEL 30 E 50 BSP

OBSERVAÇÕES

POS	CODIGO	OBSERVAÇÕES
1	* 19789	PARA: 18215
1	* 19791	PARA: 18111
11	* 18215R0001	PARA: 18215
11	* 18111R0001	PARA: 18111