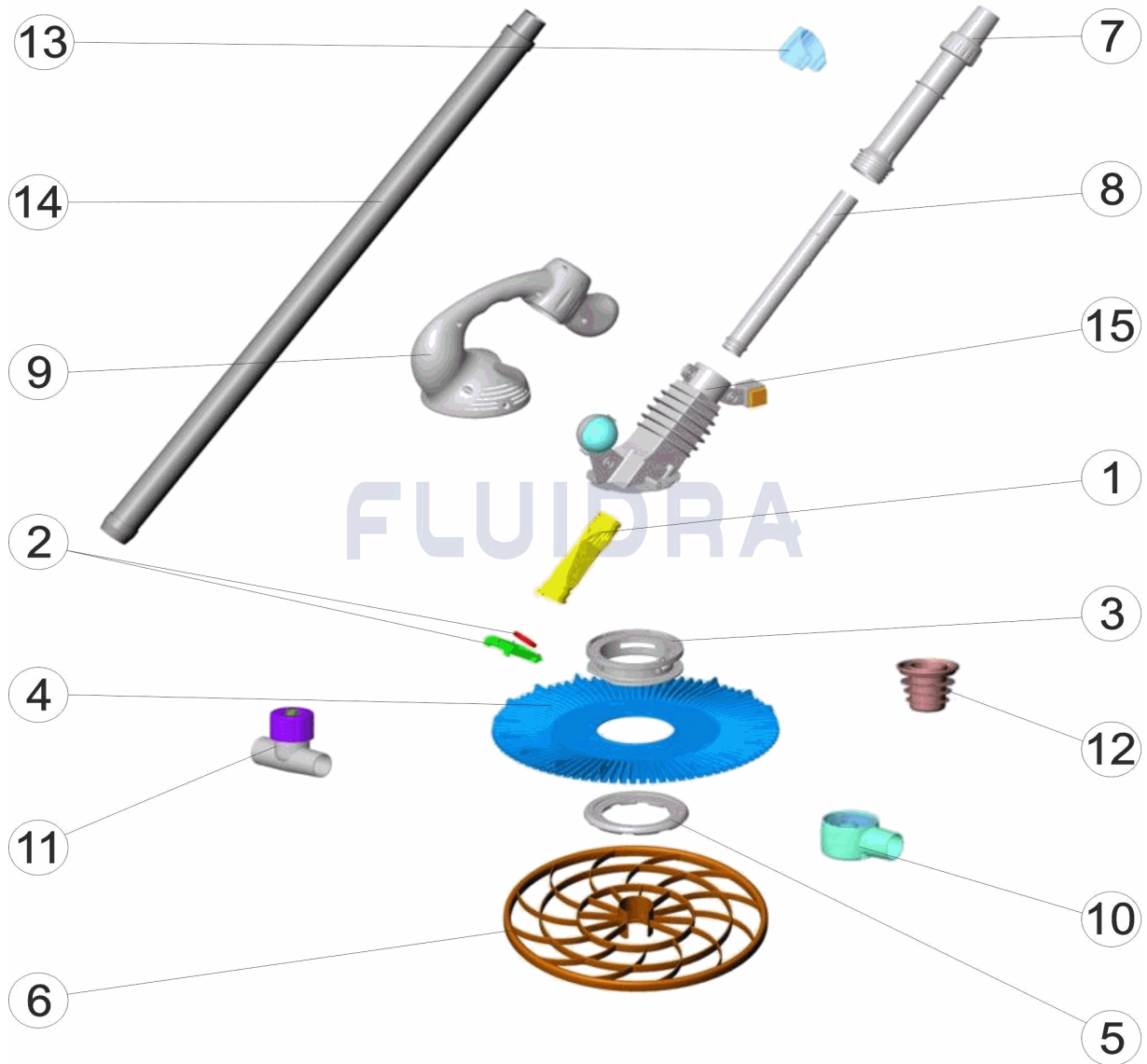


CODIGO **43395**

DESCRIPCION: LIMPIA FONDOS BOLERO ND

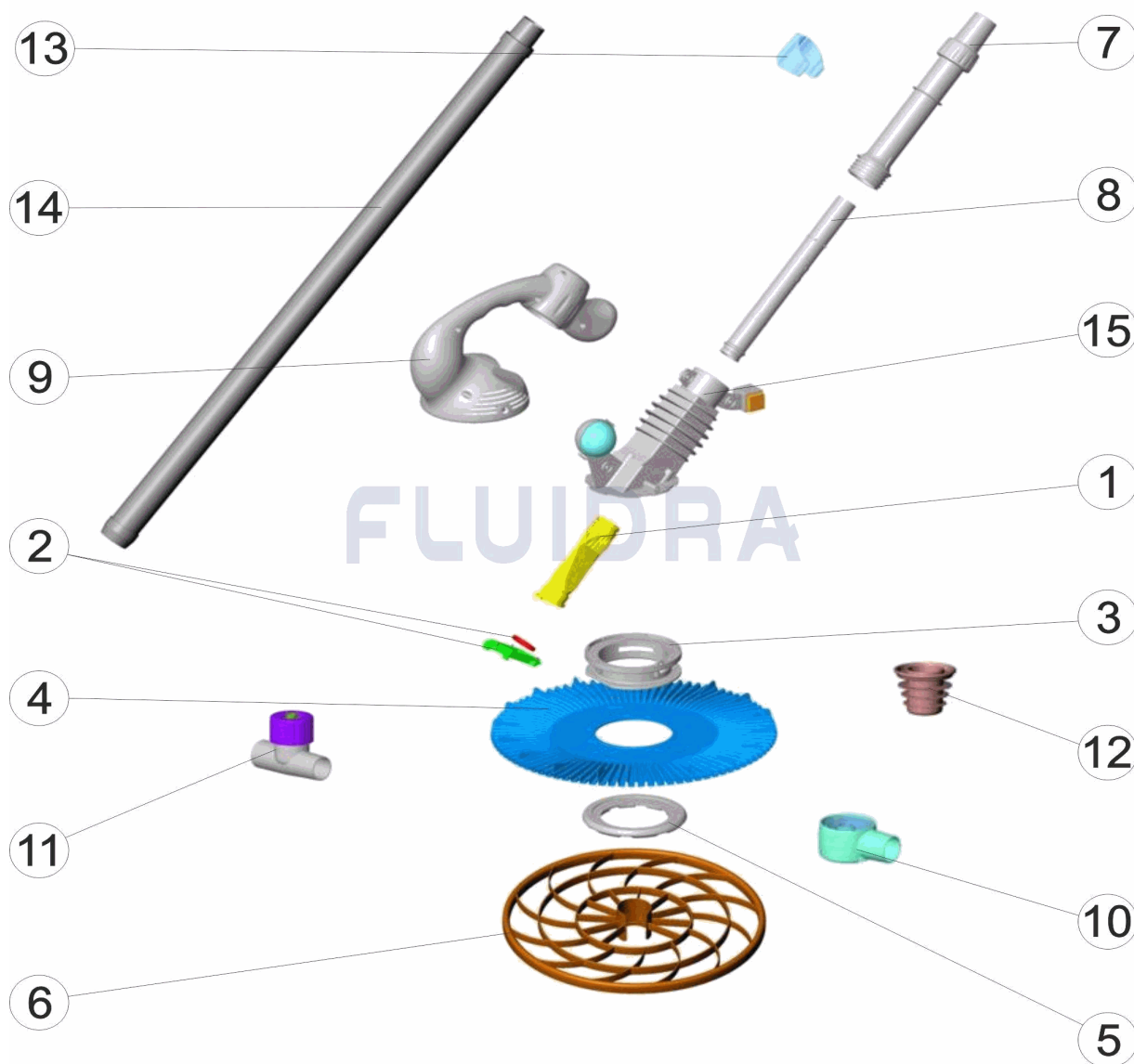


**ESPAÑOL**

POS	CODIGO	DESCRIPCION	CANTIDAD	POS	CODIGO	DESCRIPCION	CANTIDAD
1	4406012401	MENBRANA ASPIRACION		9	4406012409	CJTO. CARCASA	
2	4406012402	TAPA MEMBRANA		10	4406010007	MEDIDOR DE CAUDAL	
3	4406012403	ALOJAMIENTO SUELA		11	4406012411	REGULADOR DE CAUDAL	
4	4406012404	ALFOMBRA		12	4406012109	ADAPTADOR UNIVERSAL	
5	4406012405	SUELA		13	4406012115	CONTRAPESO MANGUERA	
6	4406012406	ANILLO		14	4406012116	MANGUERA 1 METRO	
7	4406012407	TUBO ASPIRACION		14	4406012117	CJTO. CAJA MANGUERAS	
8	4406012408	TUBO CENTRAL		15	43395R0100	CJTO. CUERPO CENTRAL	

CODE 43395

DESCRIPTION: NETTOYEUR DE FOND BOLERO ND

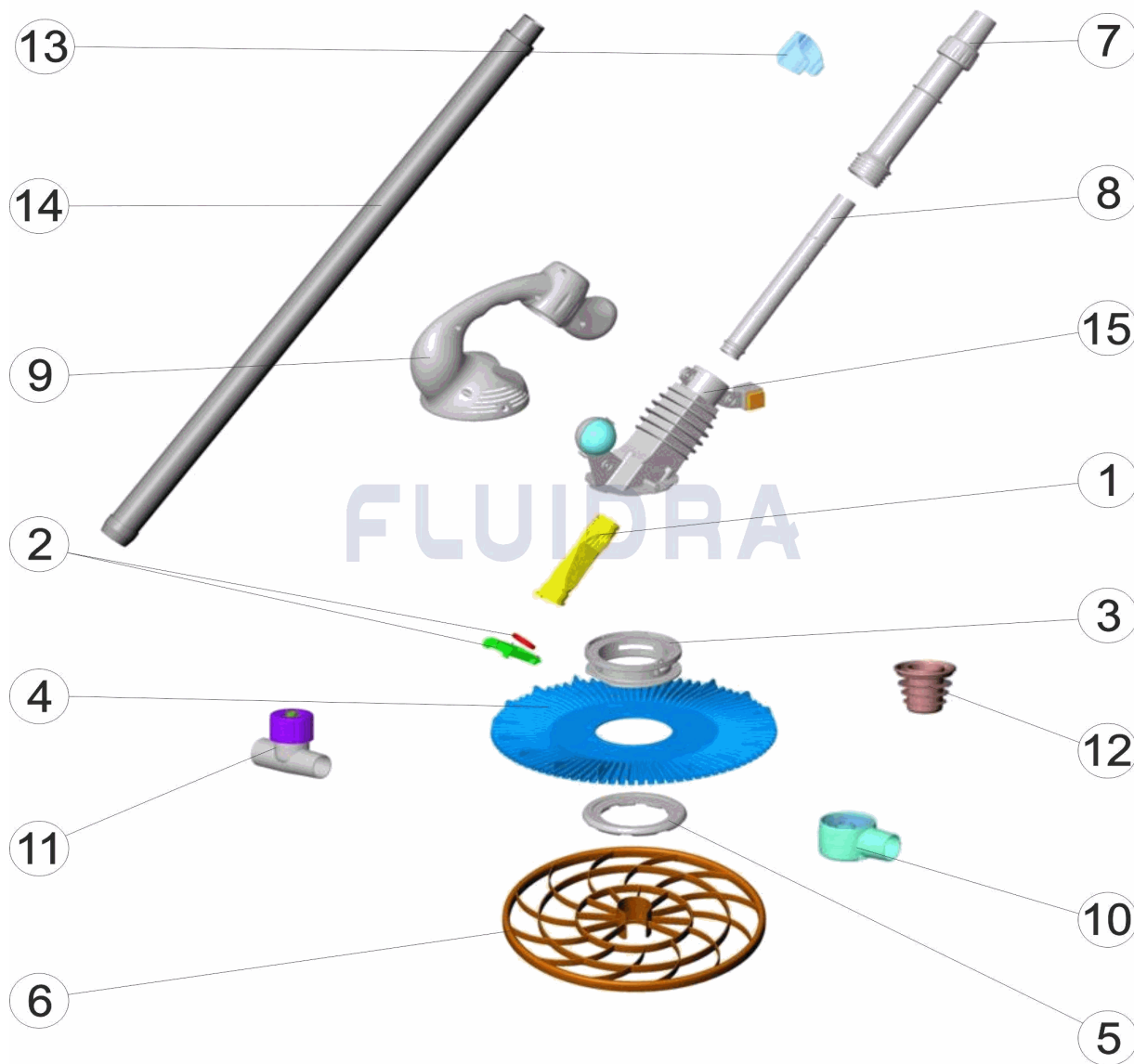


FRANCAIS

POS	CODE	DESCRIPTION	QUANTITE	POS	CODE	DESCRIPTION	QUANTITE
1	4406012401	MEMBRANE ASPIRATION		9	4406012409	ENSEMBLE CARCASSE	
2	4406012402	COUVERCLE MEMBRANE		10	4406010007	MESURE DE DEBIT	
3	4406012403	FIXATION SEMELLE		11	4406012411	VANNE AUTOMATIQUE DE DÉDIT	
4	4406012404	TAPIS		12	4406012109	ADAPTATEUR UNIVERSEL	
5	4406012405	PATIN		13	4406012115	CONTRE-POIDS DE TUYAU	
6	4406012406	BAGUE		14	4406012116	TUYAU ASPIRATION 1 M	
7	4406012407	TUBE ASPIRATION		14	4406012117	ENSEMBLE TUYAU	
8	4406012408	TUBE CENTRAL		15	43395R0100	CORPS PRINCIPAL	

CODE **43395**

DESCRIPTION: **BOLERO ND POOL CLEANER**

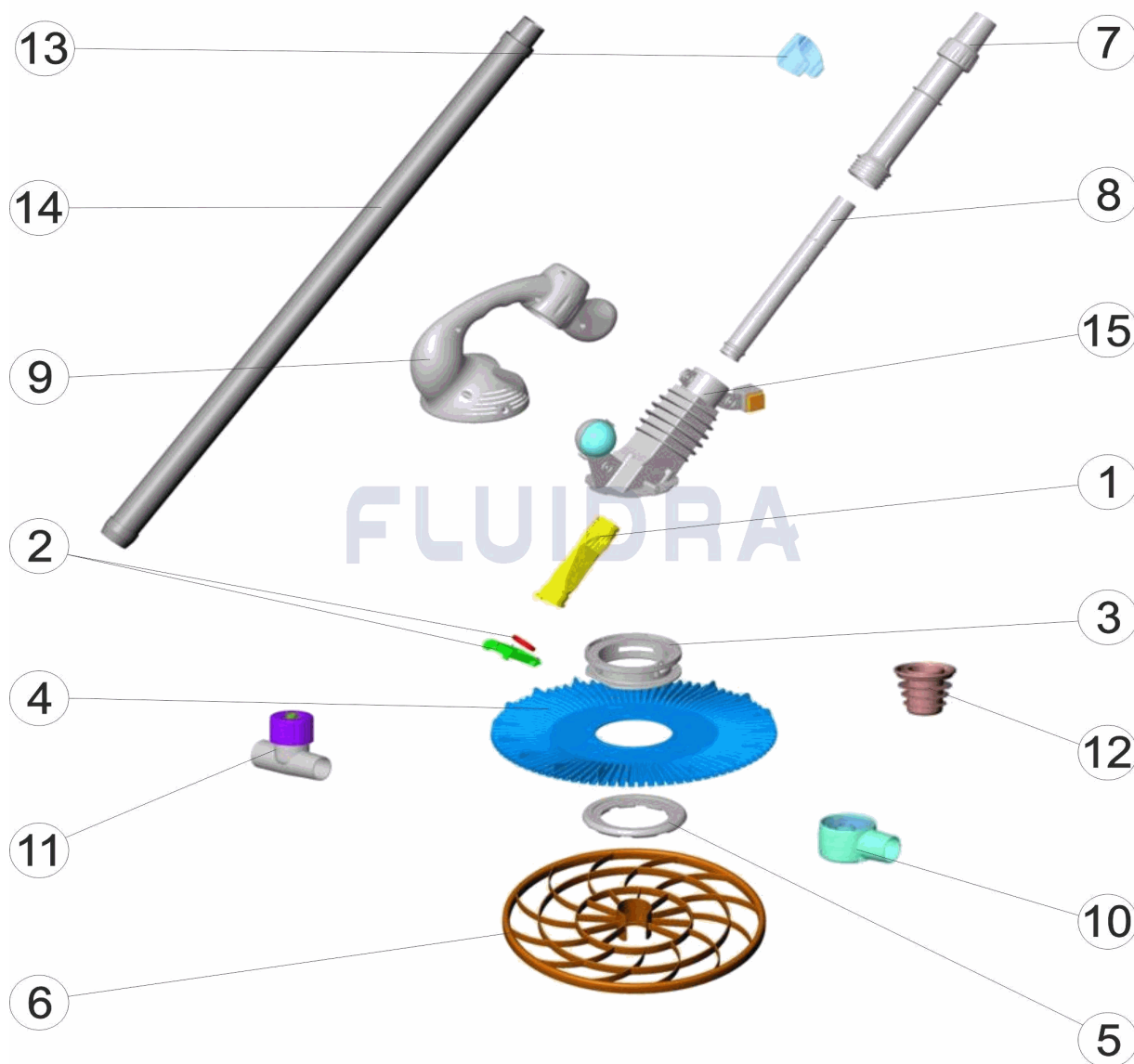


**ENGLISH**

POS	CODE	DESCRIPTION	QUANTITY	POS	CODE	DESCRIPTION	QUANTITY
1	4406012401	SUCTION MEMBRANE		9	4406012409	COVER SET	
2	4406012402	MEMBRANE COVER SET		10	4406010007	MEASURER OF VOLUME	
3	4406012403	BASE DISC		11	4406012411	FLOW REGULATOR	
4	4406012404	MAT		12	4406012109	UNIVERSAL ADAPTER	
5	4406012405	SHOE		13	4406012115	HOSE WEIGHT	
6	4406012406	RING		14	4406012116	HOSE 1 M.	
7	4406012407	SUCTION TUBE SET		14	4406012117	SET HOSES	
8	4406012408	CENTRAL TUBE		15	43395R0100	MAIN BODY SET	

CODICE 43395

DESCRIZIONE: PULISCIFONDI BOLERO ND

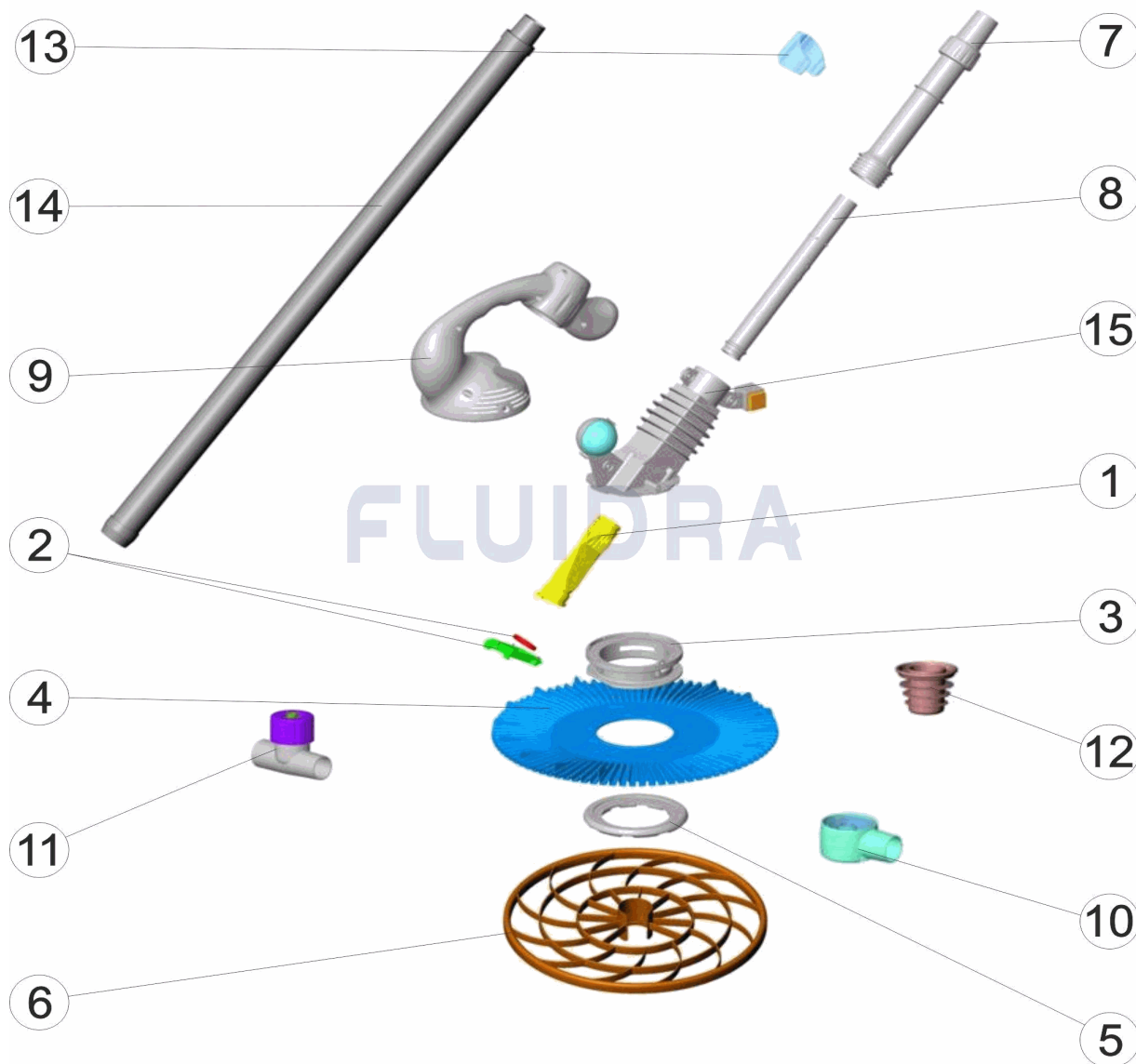


ITALIANO

POS	CODICE	DESCRIZIONE	QUANTITA'	POS	CODICE	DESCRIZIONE	QUANTITA'
1	4406012401	DIAFRAMMA ASPIRACIONE		9	4406012409	KIT CARCASSA	
2	4406012402	CHIUSURA DIAFRAMMA		10	4406010007	MEASURER DI VOLUME	
3	4406012403	ALLOGGIAMENTO MEMBRANA ASPIRAZIO		11	4406012411	REGOLATORE DI FLUSSO	
4	4406012404	DISCO PULIZIA		12	4406012109	ADATTATORE UNIVERSALE	
5	4406012405	SUPPORTO DISCO PULIZIA		13	4406012115	CONTRAPPESO PER TUBO	
6	4406012406	ANELLO		14	4406012116	TUBO ASPIRAZIONE 1 M	
7	4406012407	TUBO ASPIRACIONE		14	4406012117	CASSA TUBO	
8	4406012408	TUBO CENTRALE		15	43395R0100	CORPO PRINCIPALE	

CODE **43395**

BESCHREIBUNG: **BODENREINIGER BOLERO ND**

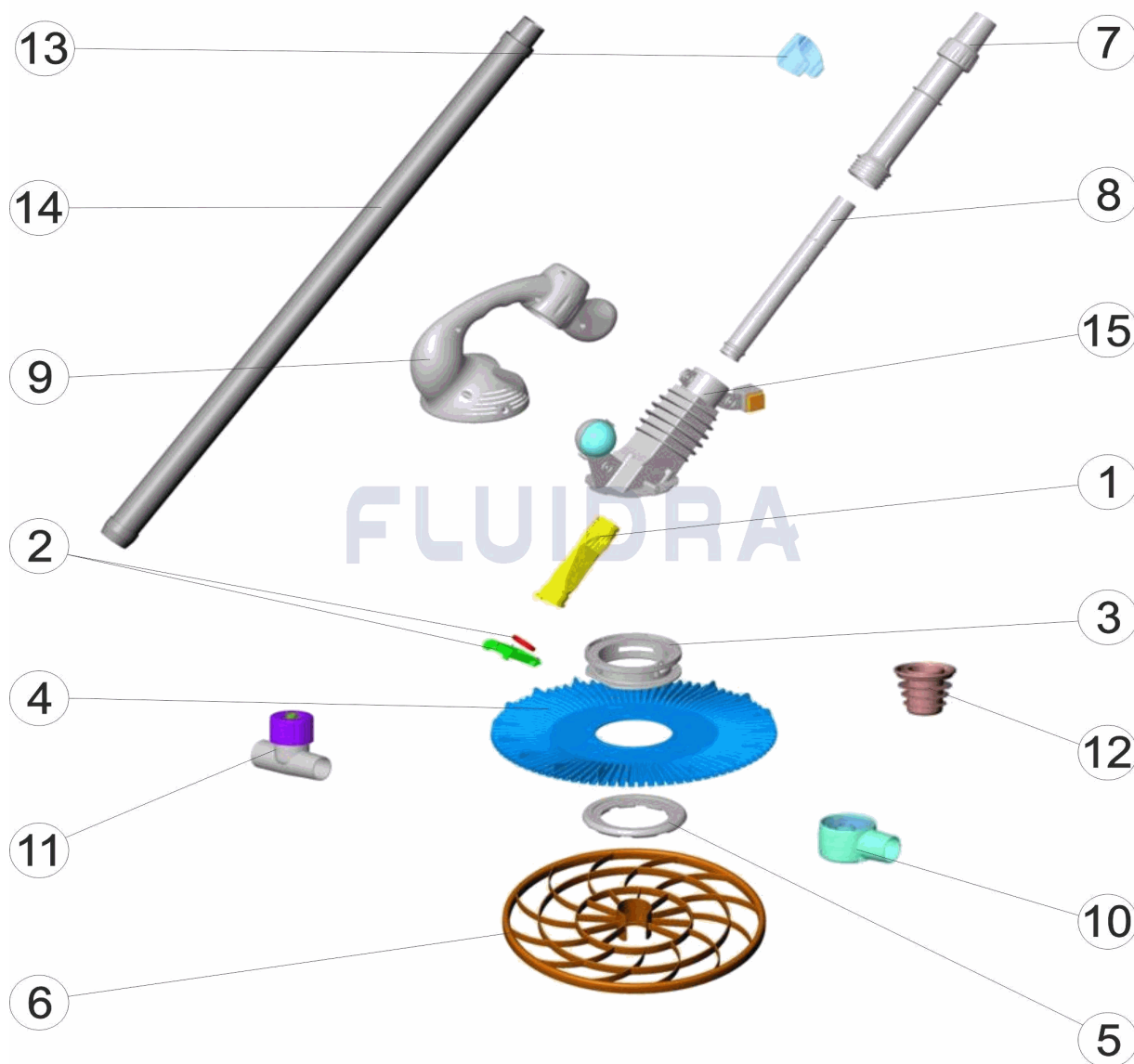


**DEUTSCH**

POS	CODE	BESCHREIBUNG	MENGE	POS	CODE	BESCHREIBUNG	MENGE
1	4406012401	SAUGMENBRANA		9	4406012409	SET GEHÄUSE	
2	4406012402	ABDECKUNG MEMBRAN		10	4406010007	DURCHFLUSSMESSER	
3	4406012403	LAGER SCHEIBENSOHLE		11	4406012411	DURCHFLUSSREGLER	
4	4406012404	SCHEIBE		12	4406012109	UNIVERSALADAPTER	
5	4406012405	SCHEIBENSOHLE		13	4406012115	GEGENGEWICHT SCHLAUCH	
6	4406012406	RING		14	4406012116	SCHLAUCH 1 METER	
7	4406012407	SAUGROHR		14	4406012117	SET SCHLAUCHGEHÄUSE	
8	4406012408	MITTLERES ROHR		15	43395R0100	SET ZENTRALGEHÄUSE	

CODIGO **43395**

DESCRIÇÃO: **LIMPADOR DE FUNDOS BOLERO ND**



**PORTUGUES**

POS	CODIGO	DESCRIÇÃO	JANTIDADE	POS	CODIGO	DESCRIÇÃO	JANTIDADE
1	4406012401	MEMBRANA ASPIRAÇÃO		9	4406012409	CONJUNTO CARCASA	
2	4406012402	TAMPA MEMBRANA		10	4406010007	MEDIDOR DO VOLUME	
3	4406012403	ALOJAMENTO SOLA		11	4406012411	REGULADOR DE CAUDAL	
4	4406012404	DISCO		12	4406012109	ADAPTADOR UNIVERSAL	
5	4406012405	BASE		13	4406012115	CONTRA-PESO MANGUEIRA	
6	4406012406	ANEL		14	4406012116	MANGUEIRA ASPIRAÇÃO 1 M	
7	4406012407	TUBO ASPIRAÇÃO		14	4406012117	CAIXA MANGUEIRA	
8	4406012408	TUBO CENTRAL		15	43395R0100	CORPO PRINCIPAL	