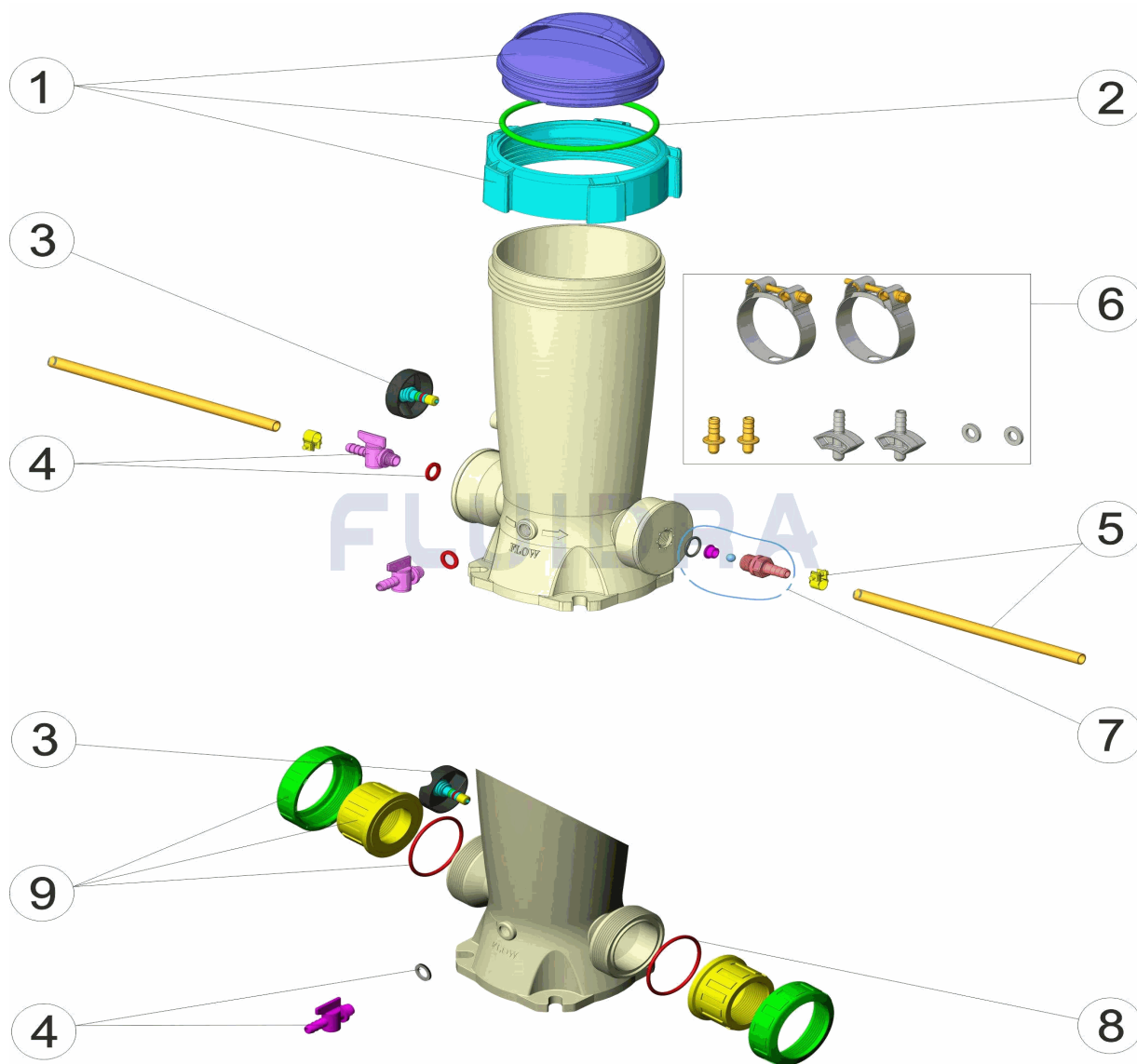


CODIGO **24429, 24430**

DESCRIPCION: **DOSIFICADOR DE CLORO "IN - LINE" "OFF - LINE"**



**ESPAÑOL**

POS	CODIGO	DESCRIPCION	CANTIDAD	POS	CODIGO	DESCRIPCION	CANTIDAD
1	4408010701	CJTO. TAPA + JUNTA + TUERCA		6	* 4408010308	RACCORD Y ABRAZADERAS	
2	4408010702	JUNTA TORICA		7	* 4408010306	VALVULA VITON CON ADAPTADOR	
3	4408010204	VALVULA CONTROL DOSIFICADOR		8	* 4401120102	JUNTA TORICA	
4	4408010205	GRIFO DE PURGA Y JUNTA		9	* 4408010206	MANGUITO DOSIFICADOR	
5	* 4408010309	TUBO POLITILENO NEGRO					

CODIGO **24429, 24430**

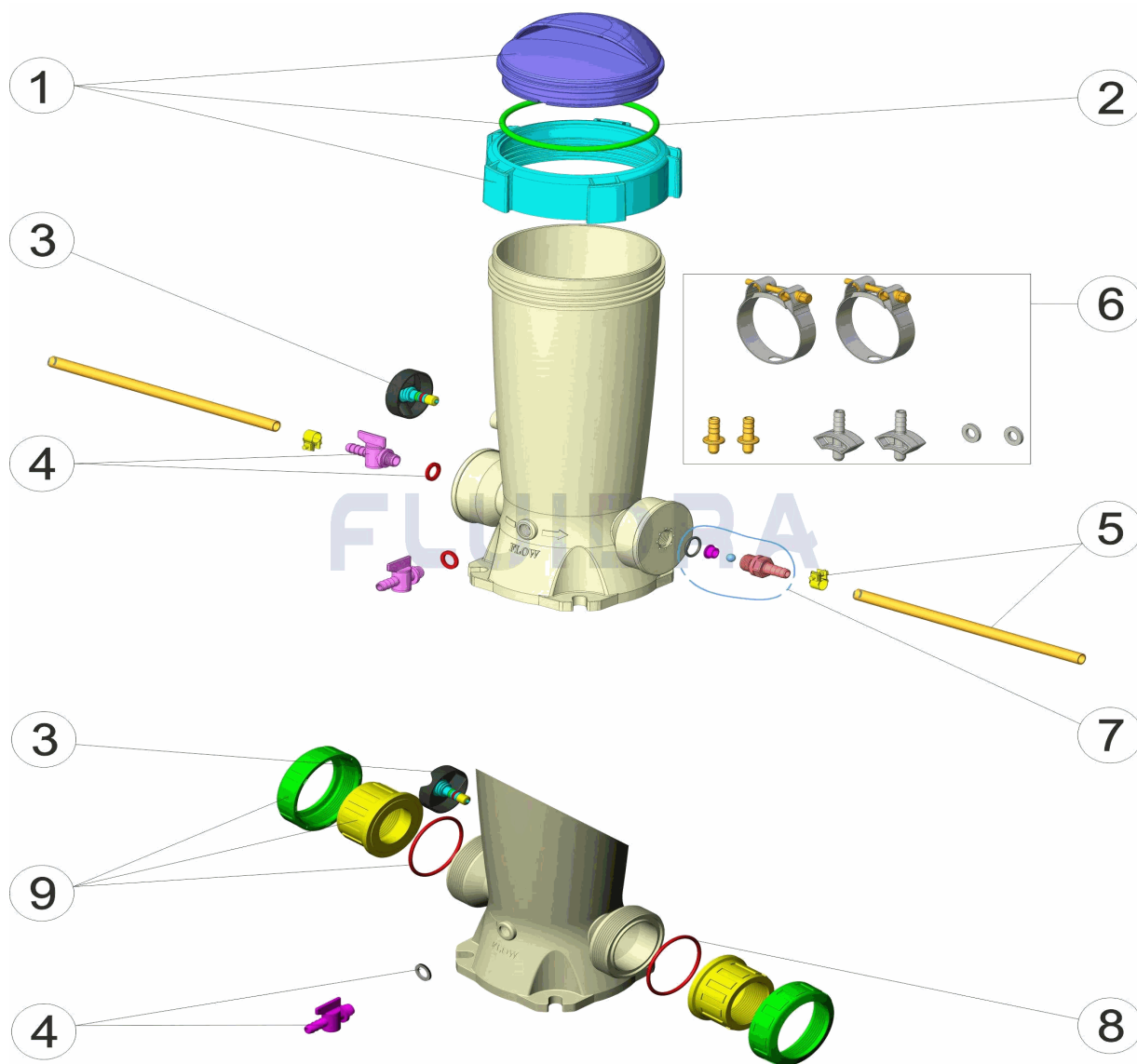
DESCRIPCION: **DOSIFICADOR DE CLORO "IN - LINE" "OFF - LINE"**

### OBSERVACIONES

POS	CODIGO	OBSERVACIONES
5	* 4408010309	PARA: 24430
6	* 4408010308	PARA: 24430
7	* 4408010306	PARA: 24430
8	* 4401120102	PARA: 24429
9	* 4408010206	PARA: 24429

CODE 24429, 24430

DESCRIPTION: DISTRIBUTEUR DE CHLORE "IN - LINE" "OFF - LINE"



FRANCAIS

POS	CODE	DESCRIPTION	QUANTITE	POS	CODE	DESCRIPTION	QUANTITE
1	4408010701	KIT COUVERCLE + JOINT + ECROU		6	* 4408010308	RACCORD ET COLLIER	
2	4408010702	JOINT TORIQUE		7	* 4408010306	VANNE VITON AVEC ADAPTATEUR	
3	4408010204	VANNE CONTROL DOSEUR		8	* 4401120102	JOINT TORIQUE	
4	4408010205	ROBINET DE PURGE ET JOINT		9	* 4408010206	MANCHON DOSEUR	
5	* 4408010309	TUBE NOIR					

CODE **24429, 24430**

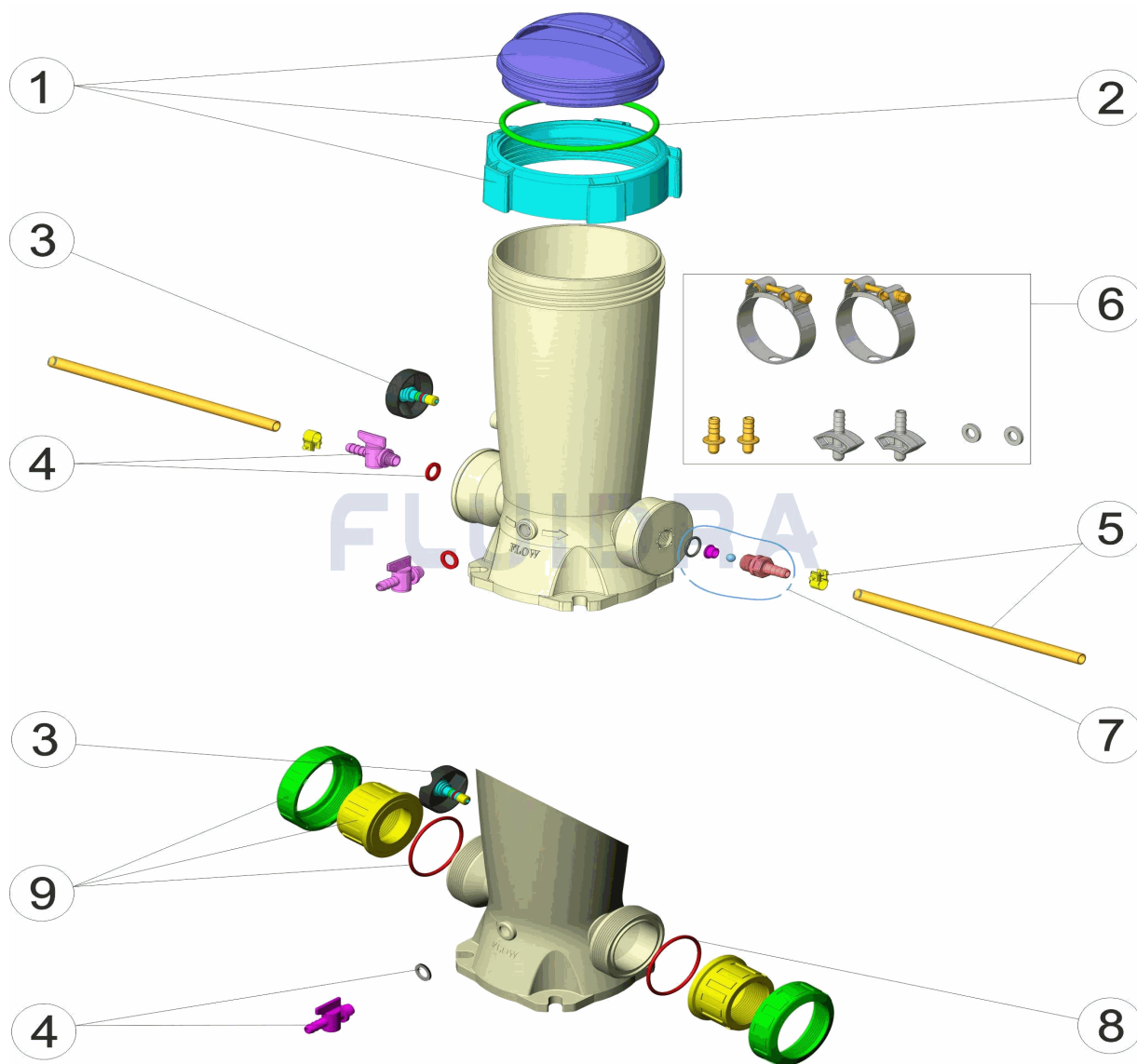
DESCRIPTION: **DISTRIBUTEUR DE CHLORE "IN - LINE" "OFF - LINE"**

**OBSERVATIONS**

POS	CODE	OBSERVATIONS
5	* 4408010309	POUR: 24430
6	* 4408010308	POUR: 24430
7	* 4408010306	POUR: 24430
8	* 4401120102	POUR: 24429
9	* 4408010206	POUR: 24429

CODE 24429, 24430

DESCRIPTION: CHLORINE DISPENSER "IN - LINE" "OFF - LINE"



**ENGLISH**

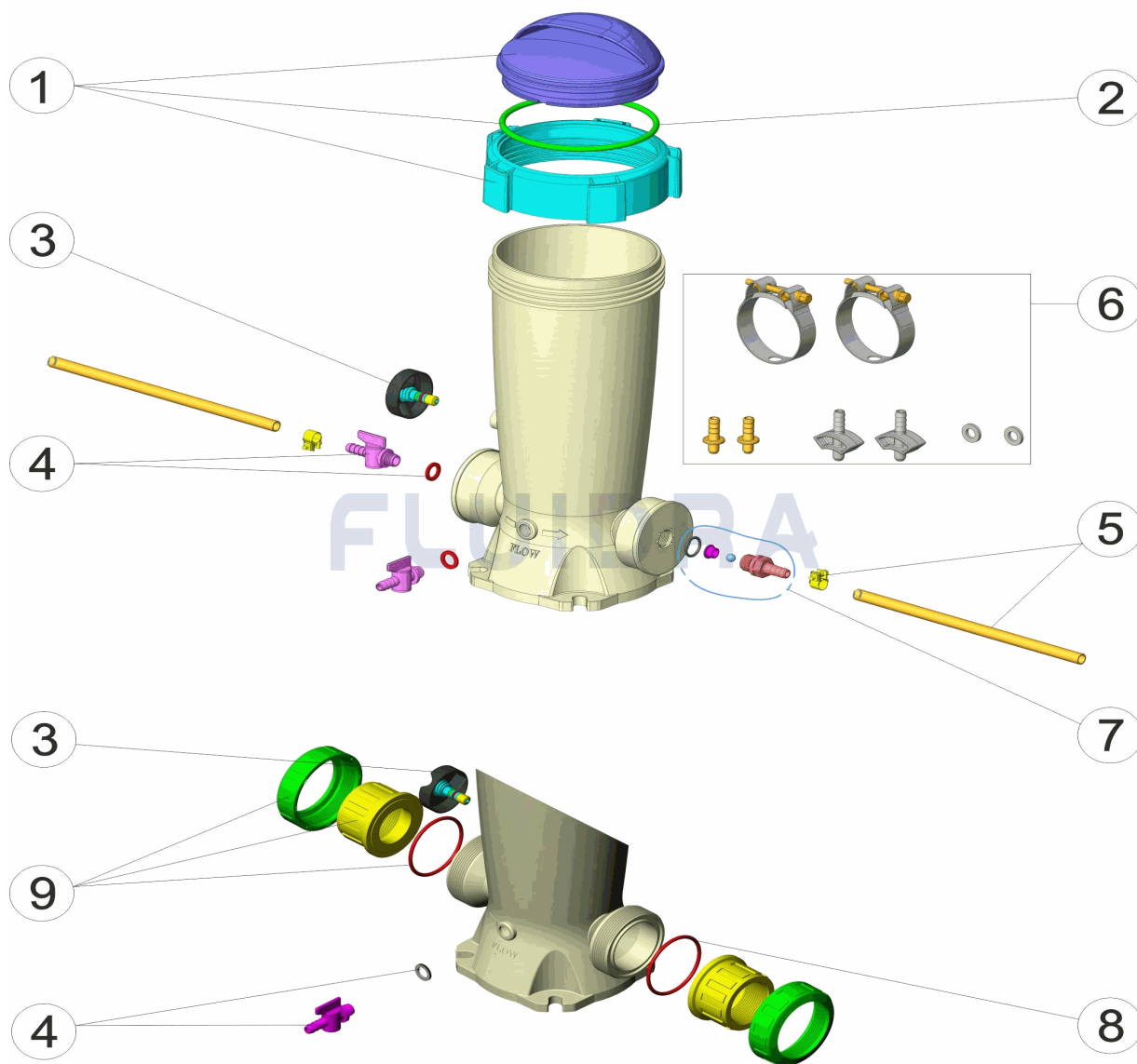
POS	CODE	DESCRIPTION	QUANTITY	POS	CODE	DESCRIPTION	QUANTITY
1	4408010701	KIT LID + SEAL + NUT		6	* 4408010308	FITTING AND TUBE CLAMPS	
2	4408010702	O' RING		7	* 4408010306	VITON VALVE WITH ADAPTOR	
3	4408010204	CONTROL VALVE		8	* 4401120102	O' RING	
4	4408010205	PURGE VALVE AND SEAL		9	* 4408010206	UNION SET	
5	* 4408010309	BLACK FLEXIBLE TUBE					

CODE                    **24429, 24430**DESCRIPTION: **CHLORINE DISPENSER "IN - LINE" "OFF - LINE"****OBSERVATIONS**

POS	CODE	OBSERVATIONS
5	* 4408010309	FOR: 24430
6	* 4408010308	FOR: 24430
7	* 4408010306	FOR: 24430
8	* 4401120102	FOR: 24429
9	* 4408010206	FOR: 24429

CODICE 24429, 24430

DESCRIZIONE: DOSIFICATORE DI CLORO "IN - LINE" "OFF - LINE"



ITALIANO

POS	CODICE	DESCRIZIONE	QUANTITA'	POS	CODICE	DESCRIZIONE	QUANTITA'
1	4408010701	KIT COPERCHIO + GUARNIZIONE + GHIER		6	* 4408010308	RACCORDO E FASCETTE	
2	4408010702	O-RING		7	* 4408010306	VALVOLA VITON CON ADATTATORE	
3	4408010204	VALVOLA DI CONTROLLO PER DOSATORE		8	* 4401120102	O-RING	
4	4408010205	RUBINETTO DI SCARICO E GUARNIZIONE		9	* 4408010206	MANICOTTO DEL DOSATORE	
5	* 4408010309	TUBO IN POLIETILENE NERO					

CODICE **24429, 24430**

DESCRIZIONE: **DOSIFICATORE DI CLORO "IN - LINE" "OFF - LINE"**

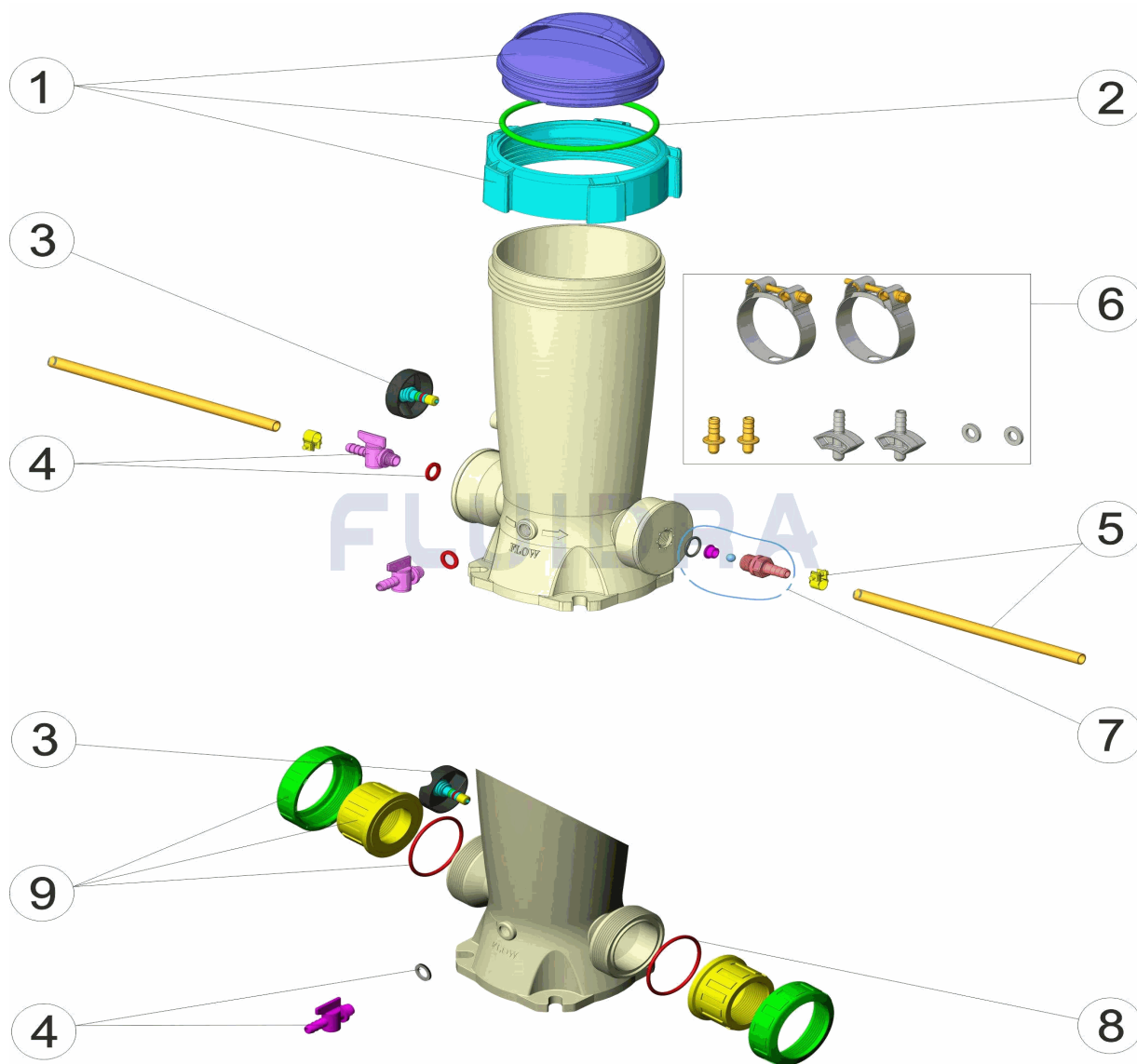
**OSSERVAZIONI**

POS	CODICE	OSSERVAZIONI
5	* 4408010309	PER: 24430
6	* 4408010308	PER: 24430
7	* 4408010306	PER: 24430
8	* 4401120102	PER: 24429
9	* 4408010206	PER: 24429



CODE 24429, 24430

BESCHREIBUNG: DOSIERGERÄT CHLOR "IN - LINE" "OFF - LINE"



DEUTSCH

POS	CODE	BESCHREIBUNG	MENGE	POS	CODE	BESCHREIBUNG	MENGE
1	4408010701	SET ABDECKUNG UND DICHUNG MIT MU		6	* 4408010308	GEWINDESTÜCK UND SCHELLEN	
2	4408010702	O-RING		7	* 4408010306	VENTIL VITON MIT ADAPTER	
3	4408010204	STEUERVENTIL DOSIERVORRICHTUNG		8	* 4401120102	O-RING	
4	4408010205	WASSERHAHN ABLASS UND DICHUNG		9	* 4408010206	NIPPEL DOSIERVORRICHTUNG	
5	* 4408010309	ROHR POLYETHYLEN SCHWARZ					

CODE                    **24429, 24430**

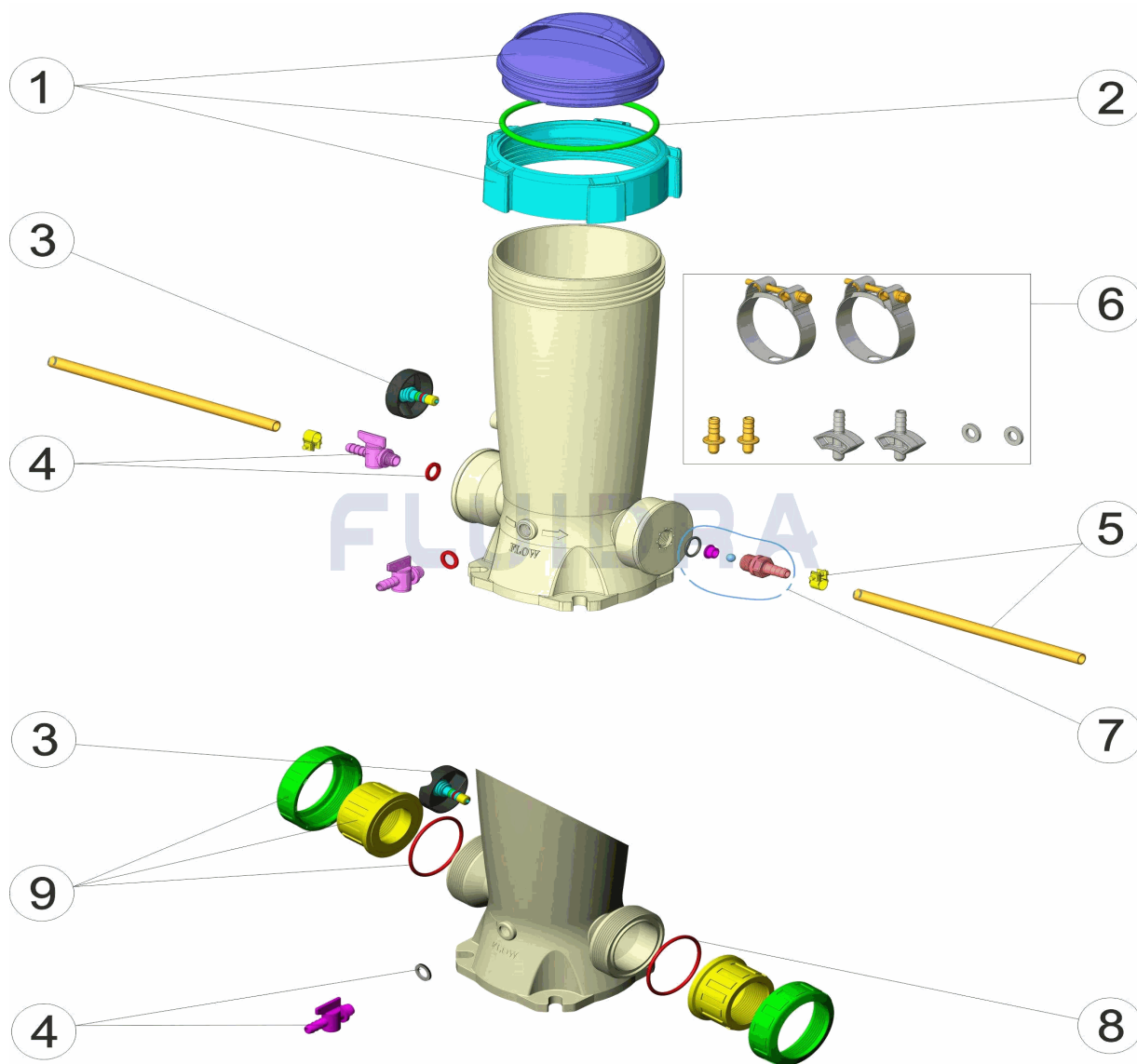
BESCHREIBUNG: **DOSIERGERÄT CHLOR "IN - LINE" "OFF - LINE"**

## HINWEISE

POS	CODE	HINWEISE
5	* 4408010309	FÜR: 24430
6	* 4408010308	FÜR: 24430
7	* 4408010306	FÜR: 24430
8	* 4401120102	FÜR: 24429
9	* 4408010206	FÜR: 24429

CODIGO 24429, 24430

DESCRIÇÃO: DOSEADOR DE CLORO "IN - LINE" "OFF - LINE"



**PORTUGUES**

POS	CODIGO	DESCRIÇÃO	JANTIDADE	POS	CODIGO	DESCRIÇÃO	JANTIDADE
1	4408010701	CJTO. TAMPA + JUNTA + PORCA		6	* 4408010308	RACORD E ABRAÇADEIRA	
2	4408010702	JUNTA TÓRICA		7	* 4408010306	VÁLVULA VITON COM ADAPTADOR	
3	4408010204	VÁLVULA CONTROL DOSEADOR		8	* 4401120102	JUNTA TÓRICA	
4	4408010205	TORNEIRA DE PURGA E JUNTA		9	* 4408010206	COLARINHO DOSEADOR	
5	* 4408010309	TUBO POLITILENO NEGRO					

**CODIGO 24429, 24430**

**DESCRIÇÃO: DOSEADOR DE CLORO "IN - LINE" "OFF - LINE"**

## OBSERVAÇÕES

POS	CODIGO	OBSERVAÇÕES
5	* 4408010309	PARA: 24430
6	* 4408010308	PARA: 24430
7	* 4408010306	PARA: 24430
8	* 4401120102	PARA: 24429
9	* 4408010206	PARA: 24429