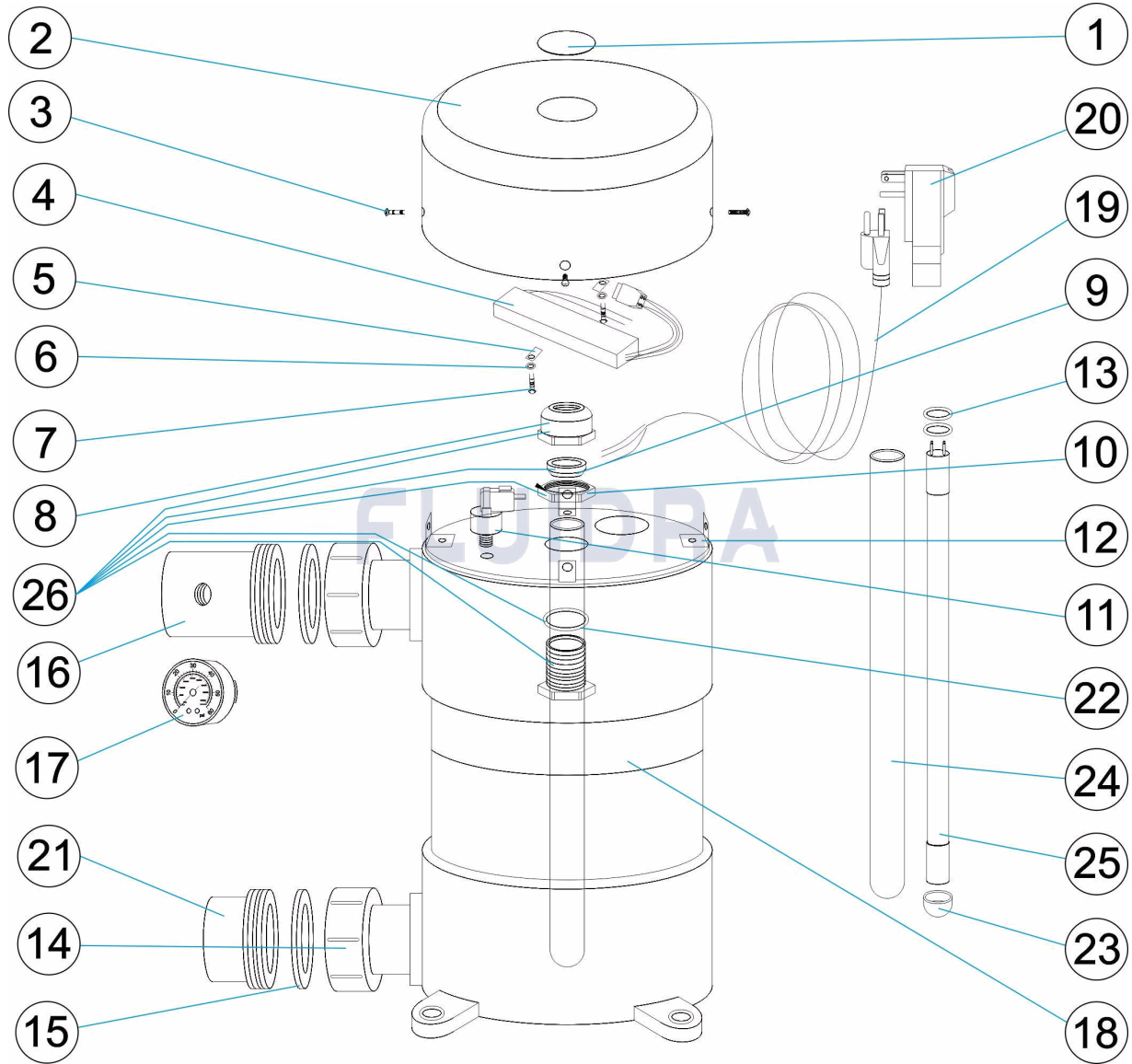


CODIGO **36839, 36840, 36841, 36842, 36843, 36844, 36845, 36846**

DESCRIPCION: **ULTRAVIOLETA LP GAMA ELECTRA E - ES**



**ESPAÑOL**

POS	CODIGO	DESCRIPCION	CANTIDAD	POS	CODIGO	DESCRIPCION	CANTIDAD
1	36839R0006	DISCO		15	36835R0009	JUNTA MANGUITO UNION	
2	36839R0007	CARCASA PARTES ELECTRICAS		16	36839R0016	MANGUITO ENLACE 2"	
3	36839R0008	TORNILLO		17	36839R0003	MANOMETRO	
4	* 36839R0002	BALASTRO E-ES 5-10		18	36839R0004	ETIQUETA IDENTIFICACION	
4	* 36837R0003	BALASTRO ELECTRONICO 240V		19	36839R0018	CABLE	
5	36839R0009	SOPORTE VALASTRO		20	36839R0010	ENCHUFE	
6	70219R10000	ARANDELA 10 DIN 125		21	36835R0010	MANGUITO UNION 2"	
7	36839R0011	TORNILLO		22	36839R0005	JUNTA TORICA	
8	36839R0012	TUERCA TUBO QUARZO		23	36835R0008	PROTECTOR LAMPARA	
9	36839R0013	JUNTA COMPRESION TUBO QUARZO		24	* 36839R0001	TUBO DE QUARZO E-ES 5	
10	36839R0014	TUERCA CIERRE 1" NEGR "		24	* 36840R0001	TUBO DE QUARZO E-ES 10	
11	36839R0015	INTERRUPTOR DE PRESION		24	* 36841R0001	TUBO DE QUARZO E-ES 20	
12	36839R0017	SOPORTE FIJACION		24	* 36842R0001	TUBO DE QUARZO E-ES 40	

**\* NOTA OBSERVACIONES**

**CODIGO 36839, 36840, 36841, 36842, 36843, 36844, 36845, 36846**

**DESCRIPCION: ULTRAVIOLETA LP GAMA ELECTRA E - ES**

13	36835R0001	JUNTA TORICA LAMPARA	25	* 36835R0100	LAMPARA 4"
14	36839R0019	TUERCA UNION 2" NEGR "	25	* 36836R0100	LAMPARA 4"
25	* 36837R0100	LAMPARA 4"	26	36839R0022	CJTO. SOPORTE TUBO DE CUARZO
25	* 36838R0100	LAMPARA 4"			

**CODIGO 36839, 36840, 36841, 36842, 36843, 36844, 36845, 36846**

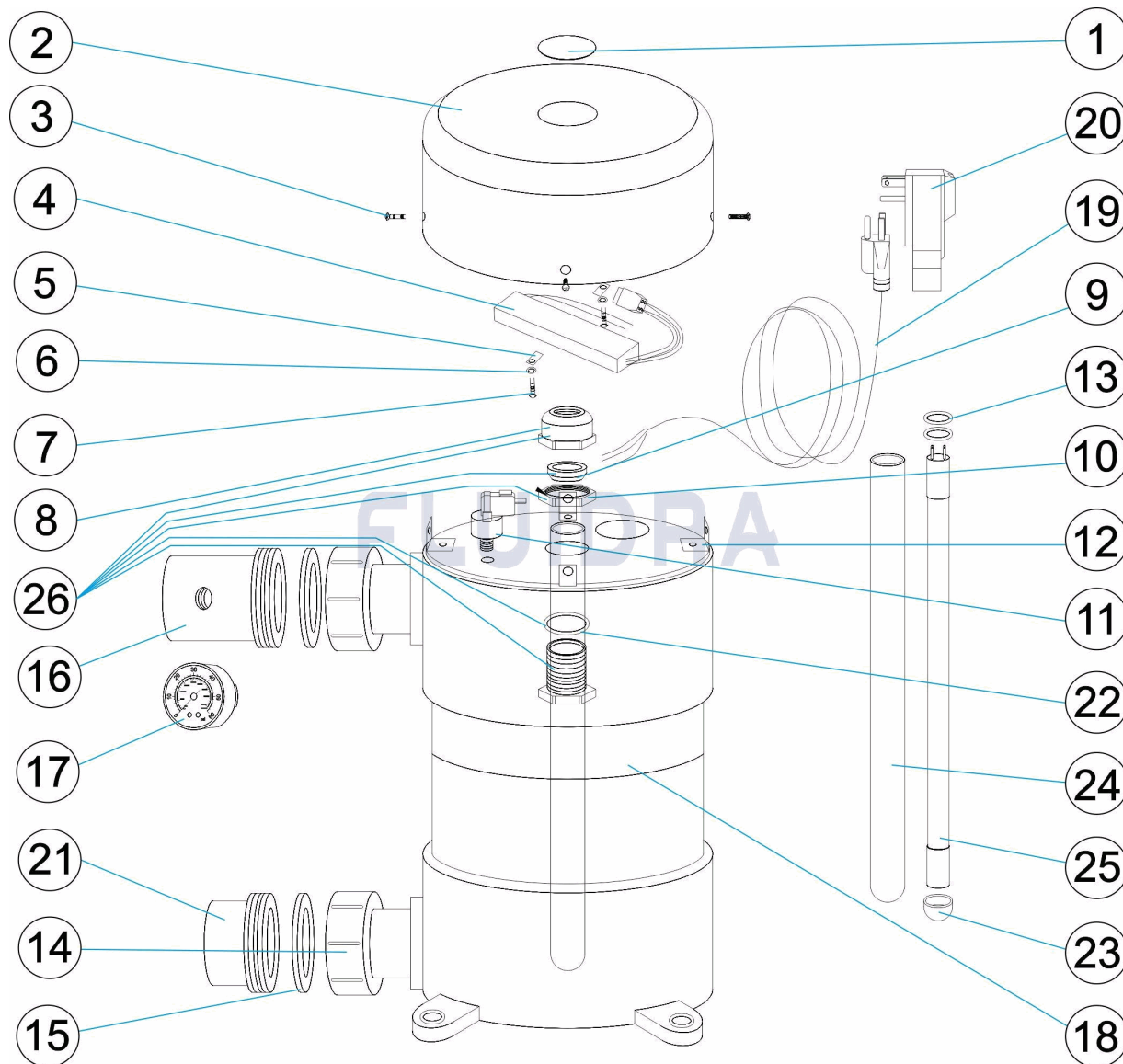
**DESCRIPCION: ULTRAVIOLETA LP GAMA ELECTRA E - ES**

## OBSERVACIONES

POS	CODIGO	OBSERVACIONES
4	* 36839R0002	PARA: 36839, 36840, 36843, 36844
4	* 36837R0003	PARA: 36841, 36842, 36845, 36846
24	* 36839R0001	PARA: 36839, 36843
24	* 36840R0001	PARA: 36840, 36844
24	* 36841R0001	PARA: 36841, 36845
24	* 36842R0001	PARA: 36842, 36846
25	* 36835R0100	PARA: 36839, 36843
25	* 36836R0100	PARA: 36840, 36844
25	* 36837R0100	PARA: 36841, 36845
25	* 36838R0100	PARA: 36842, 36846

CODE 36839, 36840, 36841, 36842, 36843, 36844, 36845, 36846

DESCRIPTION: ULTRAVIOLET LP GAMME ELECTRA E - ES



FRANCAIS

POS	CODE	DESCRIPTION	QUANTITE	POS	CODE	DESCRIPTION	QUANTITE
1	36839R0006	DISQUE		15	36835R0009	JOINT MANCHON UNION	
2	36839R0007	CARCASSE PARTIE ÉLECTRIQUE		16	36839R0016	RACCORD 2"	
3	36839R0008	VIS		17	36839R0003	MANOMETRE	
4	* 36839R0002	BALLAST E-ES 5-10		18	36839R0004	ETIQUETTE IDENTIFICATION	
4	* 36837R0003	BALLAST ÉLECTRONIQUE		19	36839R0018	CABLE	
5	36839R0009	SUPPORT BALLAST		20	36839R0010	PRISE	
6	70219R10000	RONDELLE 10 DIN 125		21	36835R0010	MACHON UNION 2"	
7	36839R0011	VIS		22	36839R0005	JOINT TORIQUE	
8	36839R0012	ECRU TUBE QUARZ		23	36835R0008	PROTECTION AMPOULE	
9	36839R0013	JOINT COMPRESSION TUBE QUARZ		24	* 36839R0001	TUBE DE QUARTZ E-ES 5	
10	36839R0014	ECRU FERMETURE 1" NOI "		24	* 36840R0001	TUBE DE QUARTZ E-ES 10	
11	36839R0015	INTERRUPTEUR PRESSION		24	* 36841R0001	TUBE DE QUARTZ E-ES 20	
12	36839R0017	SUPPORT FIXATION		24	* 36842R0001	TUBE DE QUARTZ E-ES 40	

\* VOIR FICHE D'OBSERVATIONS

CODE **36839, 36840, 36841, 36842, 36843, 36844, 36845, 36846**

DESCRIPTION: **ULTRAVIOLET LP GAMME ELECTRA E - ES**

13	36835R0001	JOINT TORIQUE	25	* 36835R0100	LAMPE UV E-ES 5
14	36839R0019	RACCOR UNION 2" NOI "	25	* 36836R0100	LAMPE UV E-ES 10
25	* 36837R0100	LAMPE UV E-ES 20	26	36839R0022	ENS. SUPPORT TUBE QUARTZ
25	* 36838R0100	LAMPE UV E-ES 40			

CODE **36839, 36840, 36841, 36842, 36843, 36844, 36845, 36846**

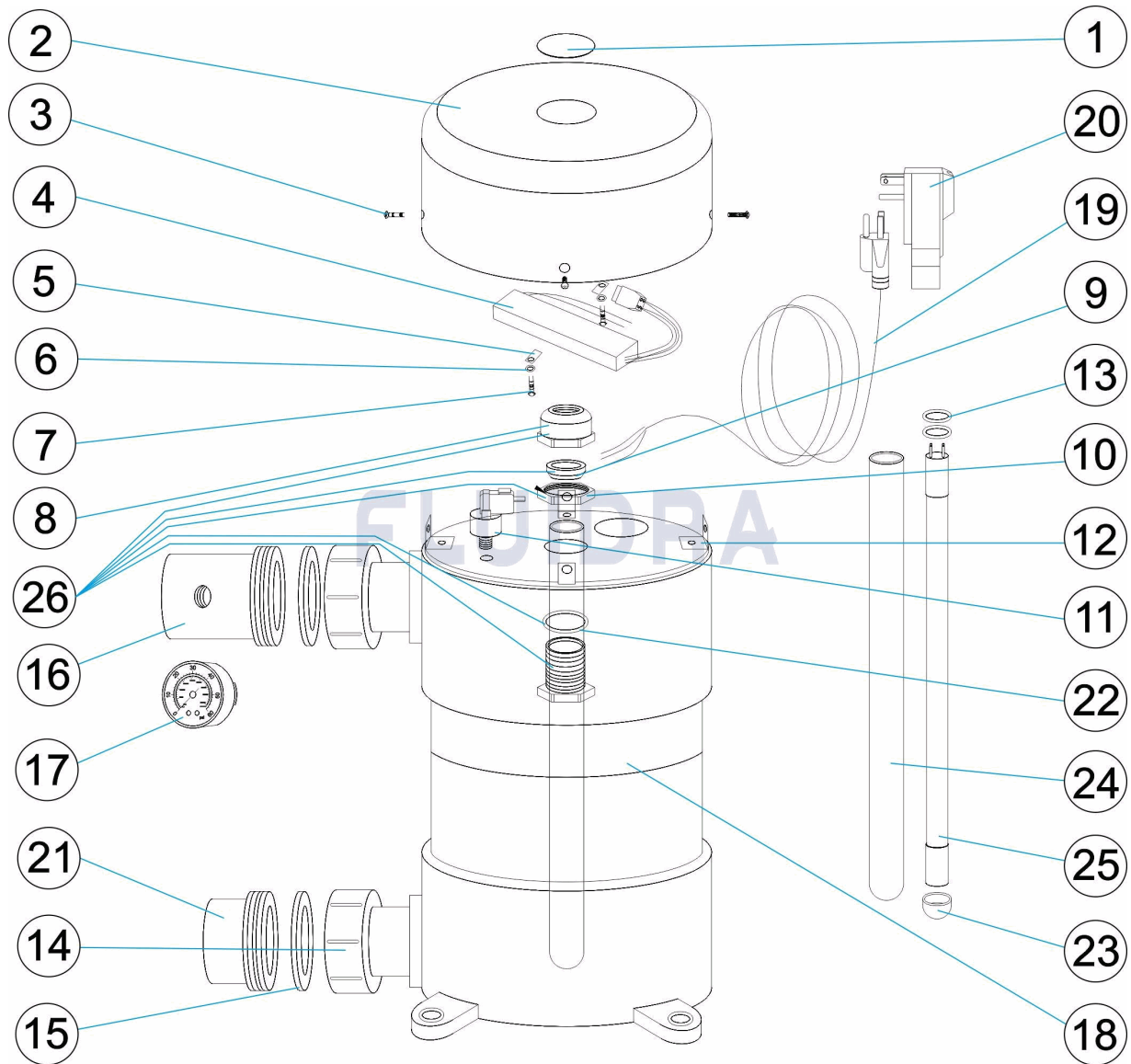
DESCRIPTION: **ULTRAVIOLET LP GAMME ELECTRA E - ES**

## OBSERVATIONS

POS	CODE	OBSERVATIONS
4	* 36839R0002	POUR: 36839, 36840, 36843, 36844
4	* 36837R0003	POUR: 36841, 36842, 36845, 36846
24	* 36839R0001	POUR: 36839, 36843
24	* 36840R0001	POUR: 36840, 36844
24	* 36841R0001	POUR: 36841, 36845
24	* 36842R0001	POUR: 36842, 36846
25	* 36835R0100	POUR: 36839, 36843
25	* 36836R0100	POUR: 36840, 36844
25	* 36837R0100	POUR: 36841, 36845
25	* 36838R0100	POUR: 36842, 36846

CODE **36839, 36840, 36841, 36842, 36843, 36844, 36845, 36846**

DESCRIPTION: **ULTRAVIOLET LP ELECTRA RANGE E - ES**



**ENGLISH**

POS	CODE	DESCRIPTION	QUANTITY	POS	CODE	DESCRIPTION	QUANTITY
1	36839R0006	DECO DISC		15	36835R0009	FLAT O'RING GASKET 2"	
2	36839R0007	ELECTRICAL ENCLOSURE BONNET		16	36839R0016	UNION TAIL PIECE-2" CLEAR-TAPPE "	
3	36839R0008	SCREW		17	36839R0003	PRESURE GAUGE	
4	* 36839R0002	BALLAST ASSEMBLY E-ES 5-10		18	36839R0004	TANK ID LABEL-AELF ADHESIVE	
4	* 36837R0003	ELECTRONIC BALLAST ASSEMBLY		19	36839R0018	CORD 18/3X96" -NEM "	
5	36839R0009	BALLAST BRACKET		20	36839R0010	CORD CONNECTED GFCI	
6	70219R10000	WASHER 10 DIN-125		21	36835R0010	UBION TAIL PIECE-WHITE	
7	36839R0011	SCREW		22	36839R0005	O-RING	
8	36839R0012	QUARTZ TUBE ACORN NUT & HOLDER		23	36835R0008	BULB CUSHION	
9	36839R0013	QUARTZ TUBE COMPRESSION GASKET		24	* 36839R0001	QUARTZ TUBE E-ES 5	
10	36839R0014	NUT LOCK 1" -BLAC "		24	* 36840R0001	QUARTZ TUBE E-ES 10	
11	36839R0015	PRESURE SWITH		24	* 36841R0001	QUARTZ TUBE E-ES 20	
12	36839R0017	BONNET BRACKET		24	* 36842R0001	QUARTZ TUBE E-ES 40	

**\* SEE OBSERVATIONS SHEET**

CODE                    **36839, 36840, 36841, 36842, 36843, 36844, 36845, 36846**

DESCRIPTION: **ULTRAVIOLET LP ELECTRA RANGE E - ES**

13	36835R0001	BULD O'RING	25	* 36835R0100	HO UV BULD 4"
14	36839R0019	UNI NUT-2" BLAC "	25	* 36836R0100	HO UV BULD 4"
25	* 36837R0100	HO UV BULD 4"	26	36839R0022	QUARTZ TUBE HOLDER ASSEMBLY
25	* 36838R0100	HO UV BULD 4"			



CODE                    **36839, 36840, 36841, 36842, 36843, 36844, 36845, 36846**

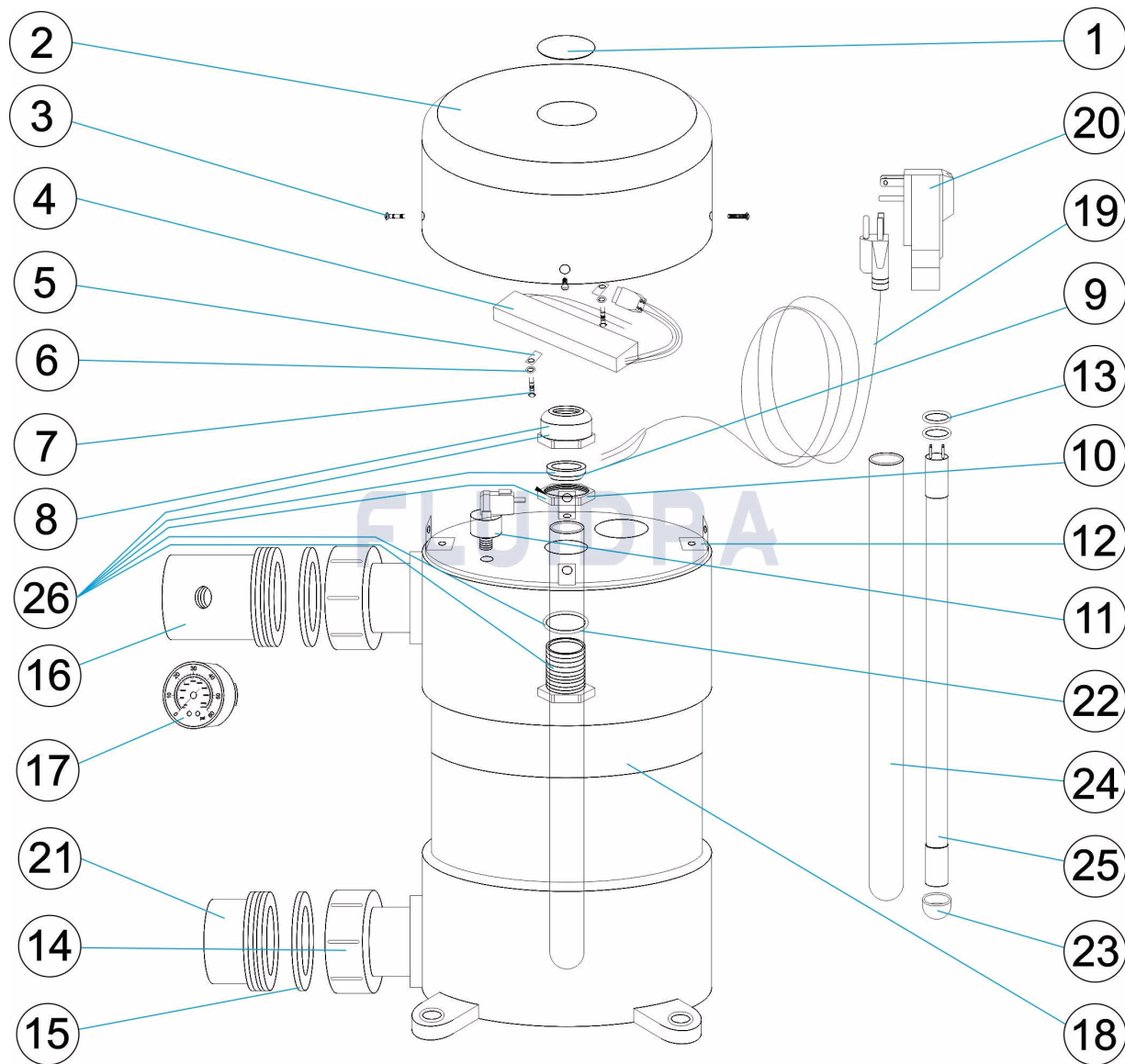
DESCRIPTION: **ULTRAVIOLET LP ELECTRA RANGE E - ES**

## OBSERVATIONS

POS	CODE	OBSERVATIONS
4	* 36839R0002	FOR: 36839, 36840, 36843, 36844
4	* 36837R0003	FOR: 36841, 36842, 36845, 36846
24	* 36839R0001	FOR: 36839, 36843
24	* 36840R0001	FOR: 36840, 36844
24	* 36841R0001	FOR: 36841, 36845
24	* 36842R0001	FOR: 36842, 36846
25	* 36835R0100	FOR: 36839, 36843
25	* 36836R0100	FOR: 36840, 36844
25	* 36837R0100	FOR: 36841, 36845
25	* 36838R0100	FOR: 36842, 36846

CODICE **36839, 36840, 36841, 36842, 36843, 36844, 36845, 36846**

DESCRIZIONE: **ULTRAVIOLETTI LP GAMMA ELECTRA E - ES**



**ITALIANO**

POS	CODICE	DESCRIZIONE	QUANTITA'	POS	CODICE	DESCRIZIONE	QUANTITA'
1	36839R0006	DISCO		15	36835R0009	GUARNIZIONE MANICOTTO UNIONE	
2	36839R0007	CARCASSA PARTE ELETTRICA		16	36839R0016	MANICOTTO UNIONE 2"	
3	36839R0008	VITI		17	36839R0003	MANOMETRO	
4	* 36839R0002	REGOLATORE DI CORRENTE E-ES 5-10		18	36839R0004	ETICHETTA IDENTIFICATIVA	
4	* 36837R0003	REGOLATORE DI CORRENTE ELETTRONIC		19	36839R0018	CAVO	
5	36839R0009	SUPPORTO REGOLATORE		20	36839R0010	PRESA	
6	70219R10000	RONDELLA 10 DIN-125		21	36835R0010	MANICOTTO UNIONE 2"	
7	36839R0011	VITI		22	36839R0005	GIUNTA TORICA	
8	36839R0012	GHIERA TUBO QUARZO		23	36835R0008	PROTEZIONE LAMPADA	
9	36839R0013	GUARNIZIONE COMPRESSIONE TUBO QU.		24	* 36839R0001	CORPO SUPERIORE E-ES 5	
10	36839R0014	GHIERA CHIUSURA 1" NER "		24	* 36840R0001	CORPO SUPERIORE E-ES 10	
11	36839R0015	INTERRUTTORE DI PRESSIONE		24	* 36841R0001	CORPO SUPERIORE E-ES 20	
12	36839R0017	SUPPORTO FISSAGGIO		24	* 36842R0001	CORPO SUPERIORE E-ES 40	

**\* SI FACCIA RIFERIMENTO AL FOGLIO DELLE OSSERVAZIONI**

CODICE                    **36839, 36840, 36841, 36842, 36843, 36844, 36845, 36846**

DESCRIZIONE: **ULTRAVIOLETTI LP GAMMA ELECTRA E - ES**

13	36835R0001	O-RING	25	* 36835R0100	KIT LAMPADA 4"
14	36839R0019	GHIERA UNIONE 2" NER "	25	* 36836R0100	KIT LAMPADA 4"
25	* 36837R0100	KIT LAMPADA 4"	26	36839R0022	KIT SUPPORTO TUBO DI QUARZO
25	* 36838R0100	KIT LAMPADA 4"			

CODICE **36839, 36840, 36841, 36842, 36843, 36844, 36845, 36846**

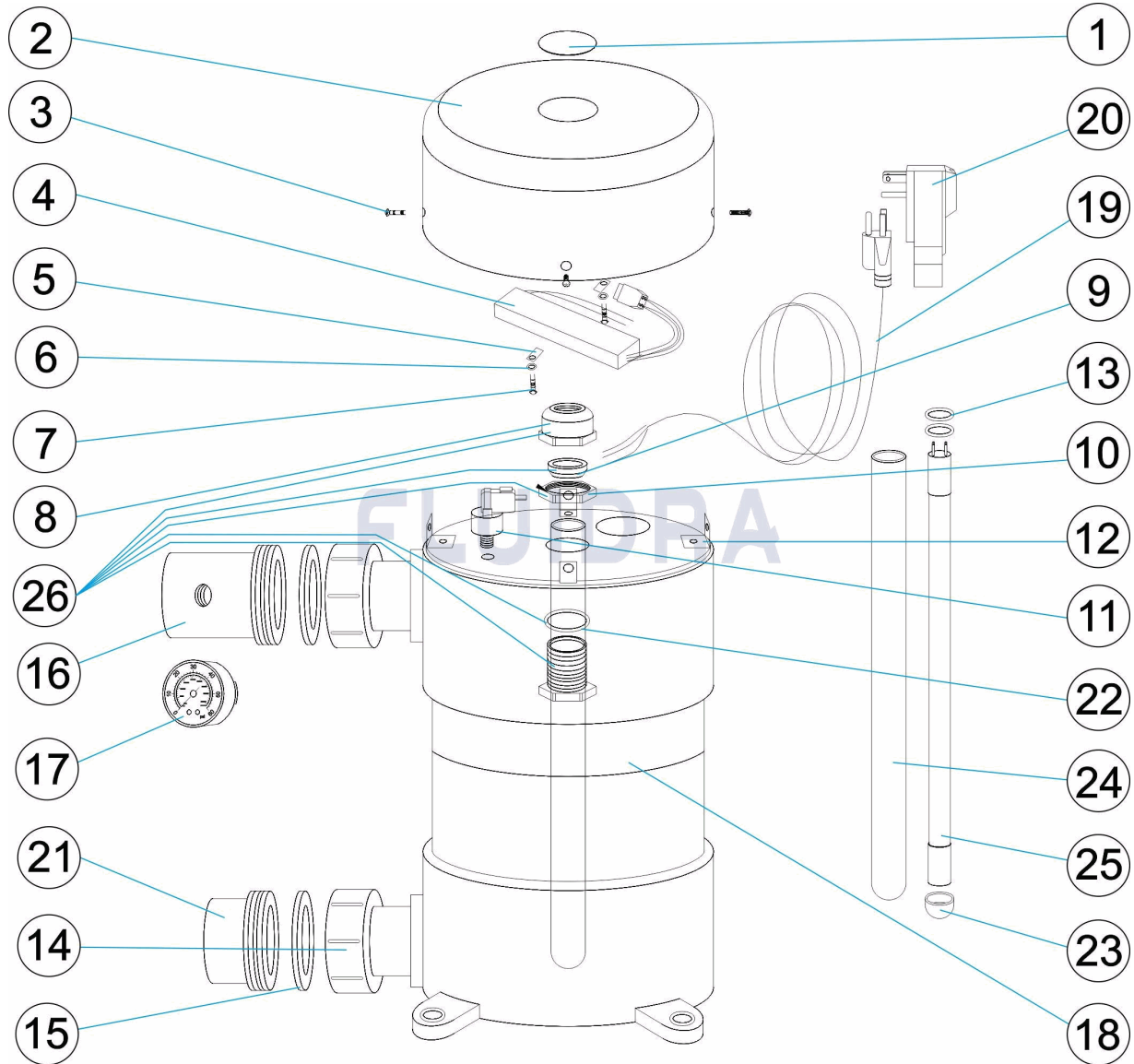
DESCRIZIONE: **ULTRAVIOLETTI LP GAMMA ELECTRA E - ES**

## OSSERVAZIONI

POS	CODICE	OSSERVAZIONI
4	* 36839R0002	PER: 36839, 36840, 36843, 36844
4	* 36837R0003	PER: 36841, 36842, 36845, 36846
24	* 36839R0001	PER: 36839, 36843
24	* 36840R0001	PER: 36840, 36844
24	* 36841R0001	PER: 36841, 36845
24	* 36842R0001	PER: 36842, 36846
25	* 36835R0100	PER: 36839, 36843
25	* 36836R0100	PER: 36840, 36844
25	* 36837R0100	PER: 36841, 36845
25	* 36838R0100	PER: 36842, 36846

CODE **36839, 36840, 36841, 36842, 36843, 36844, 36845, 36846**

BESCHREIBUNG: **ULTRAVIOLETTLAMPE LP E - ES**



**DEUTSCH**

POS	CODE	BESCHREIBUNG	MENGE	POS	CODE	BESCHREIBUNG	MENGE
1	36839R0006	SCHEIBE		15	36835R0009	DICHTUNG NIPPEL	
2	36839R0007	GEHÄUSE ELEKTROTEILE		16	36839R0016	NIPPEL ANSCHLUSS 2"	
3	36839R0008	SCHRAUBE		17	36839R0003	MANOMETER	
4	* 36839R0002	VORSCHALTGERÄT E-ES 5 - 10		18	36839R0004	IDENTIFIZIERUNGSETIKETTE	
4	* 36837R0003	VORSCHALTGERÄT ELEKTRONISCH 240 V		19	36839R0018	KABEL	
5	36839R0009	HALTERUNG WIDERSTAND		20	36839R0010	STECKDOSE	
6	70219R10000	UNTERLEGSCHIEBE 10 DIN-125		21	36835R0010	NIPPEL VERBINDUNG 2"	
7	36839R0011	SCHRAUBE		22	36839R0005	O-RING	
8	36839R0012	MUTTER QUARZRÖHRE		23	36835R0008	SCHUTZVORRICHTUNG LAMPE	
9	36839R0013	KOMPRESSIIONSDICHTUNG QUARZRÖHRI		24	* 36839R0001	QUARZRÖHRE E-ES 5	
10	36839R0014	MUTTER SCHLISSVORRICHTUNG 1" SCH		24	* 36840R0001	QUARZRÖHRE E-ES 10	
11	36839R0015	DRUCKSCHALTER		24	* 36841R0001	QUARZRÖHRE E-ES 20	
12	36839R0017	FIXIERHALTERUNG		24	* 36842R0001	QUARZRÖHRE E-ES 40	

\* SIEHE ANMERKUNGSBLATT

CODE                    **36839, 36840, 36841, 36842, 36843, 36844, 36845, 36846**

BESCHREIBUNG: **ULTRAVIOLETTLAMPE LP E - ES**

13	36835R0001	O-RING LAMPE	25	* 36835R0100	LAMPE 4"
14	36839R0019	VERBINDUNGSMUTTER 2" SCHWAR "	25	* 36836R0100	LAMPE 4"
25	* 36837R0100	LAMPE 4"	26	36839R0022	SET HALTERUNG QUARZRÖHRE
25	* 36838R0100	LAMPE 4"			

CODE **36839, 36840, 36841, 36842, 36843, 36844, 36845, 36846**

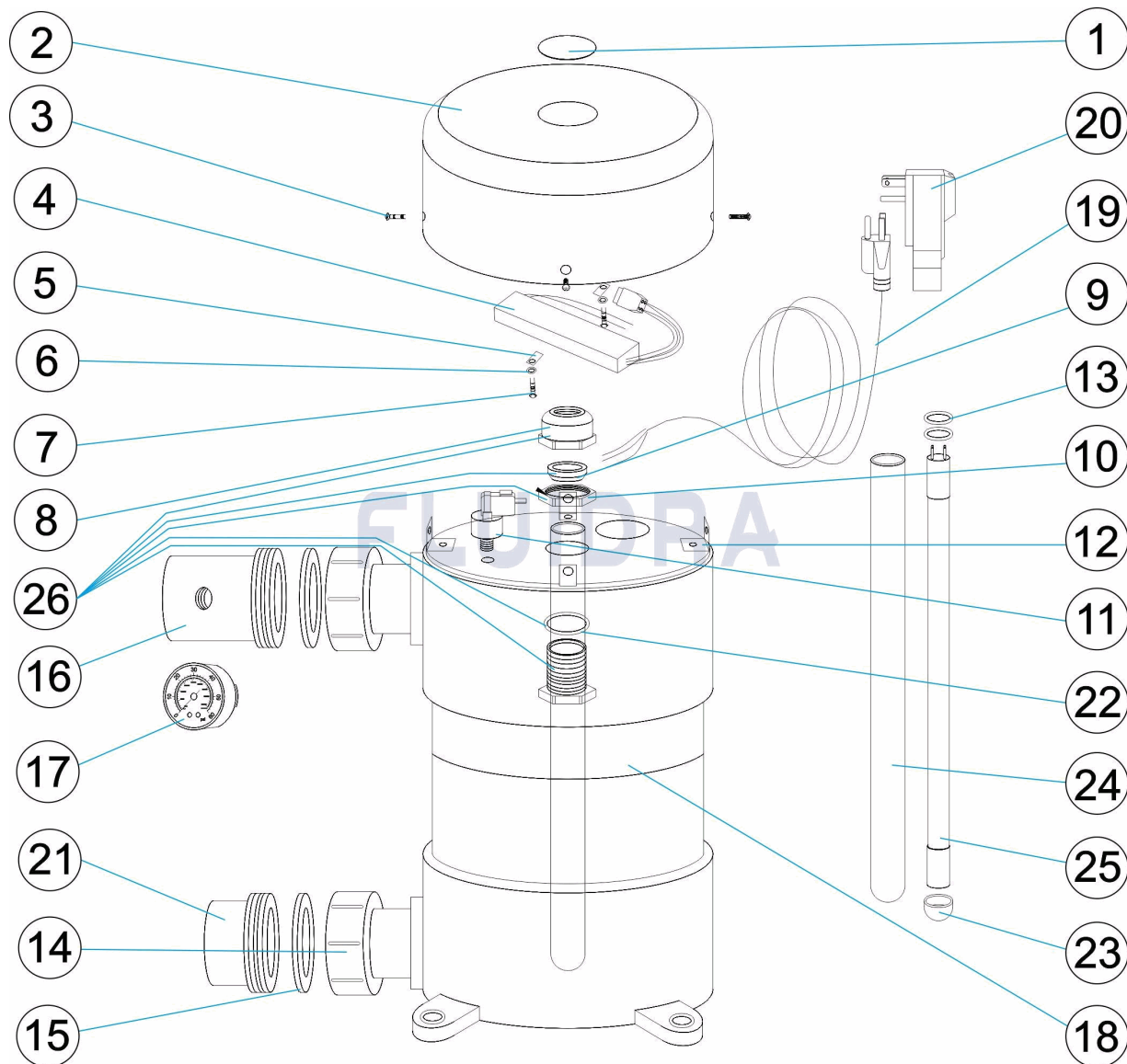
BESCHREIBUNG: **ULTRAVIOLETTLAMPE LP E - ES**

## HINWEISE

POS	CODE	HINWEISE
4	* 36839R0002	FÜR: 36839, 36840, 36843, 36844
4	* 36837R0003	FÜR: 36841, 36842, 36845, 36846
24	* 36839R0001	FÜR: 36839, 36843
24	* 36840R0001	FÜR: 36840, 36844
24	* 36841R0001	FÜR: 36841, 36845
24	* 36842R0001	FÜR: 36842, 36846
25	* 36835R0100	FÜR: 36839, 36843
25	* 36836R0100	FÜR: 36840, 36844
25	* 36837R0100	FÜR: 36841, 36845
25	* 36838R0100	FÜR: 36842, 36846

CODIGO **36839, 36840, 36841, 36842, 36843, 36844, 36845, 36846**

DESCRICAÇÃO: **ULTRAVIOLETA LP GAMA ELECTRA E - ES**



**PORTUGUES**

POS	CODIGO	DESCRICAÇÃO	JANTIDADE	POS	CODIGO	DESCRICAÇÃO	JANTIDADE
1	36839R0006	DISCO		15	36835R0009	JUNTA MANGUITO UNJÃO	
2	36839R0007	CARÇA DE ZONAS ELECTRICAS		16	36839R0016	UNIÃO 2"	
3	36839R0008	PARAFUSO		17	36839R0003	MANOMETRO	
4	* 36839R0002	BALASTRO E-ES 5-10		18	36839R0004	ETIQUETA DE IDENTIFICAÇÃO	
4	* 36837R0003	BALASTRO ELECTRÓNICO		19	36839R0018	CABO	
5	36839R0009	SUPORTE DE BALASTRO		20	36839R0010	TOMADA	
6	70219R10000	ANILHA 10 DIN-125		21	36835R0010	MANGUITO UNJÃO 2"	
7	36839R0011	PARAFUSO		22	36839R0005	JUNTA TÓRICA	
8	36839R0012	PORCA TUBO QUARTZO		23	36835R0008	PROTECTOR LÂMPADA	
9	36839R0013	JUNTA DE COMPRESSÃO TUBO QUARTZO		24	* 36839R0001	TUBO DE QUARTZO E-ES 5	
10	36839R0014	PORCA DE FECHO 1"		24	* 36840R0001	TUBO DE QUARTZO E-ES 10	
11	36839R0015	INTERRUPTOR DE PRESSÃO		24	* 36841R0001	TUBO DE QUARTZO E-ES 20	
12	36839R0017	SUPORTE DE FIXAÇÃO		24	* 36842R0001	TUBO DE QUARTZO E-ES 40	

**\* VEJA A FICHA DE OBSERVAÇÕES**



**CODIGO 36839, 36840, 36841, 36842, 36843, 36844, 36845, 36846**

**DESCRIÇÃO: ULTRAVIOLETA LP GAMA ELECTRA E - ES**

13	36835R0001	JUNTA TÓRICA	25	* 36835R0100	LÂMPADA 4"
14	36839R0019	PORCA UNJÃO 2" NEGR "	25	* 36836R0100	LÂMPADA 4"
25	* 36837R0100	LÂMPADA 4"	26	36839R0022	CONJ. SUPORTE TUBO DE QUARTZO
25	* 36838R0100	LÂMPADA 4"			

**CODIGO 36839, 36840, 36841, 36842, 36843, 36844, 36845, 36846**

**DESCRIÇÃO: ULTRAVIOLETA LP GAMA ELECTRA E - ES**

## OBSERVAÇÕES

POS	CODIGO	OBSERVAÇÕES
4	* 36839R0002	PARA: 36839, 36840, 36843, 36844
4	* 36837R0003	PARA: 36841, 36842, 36845, 36846
24	* 36839R0001	PARA: 36839, 36843
24	* 36840R0001	PARA: 36840, 36844
24	* 36841R0001	PARA: 36841, 36845
24	* 36842R0001	PARA: 36842, 36846
25	* 36835R0100	PARA: 36839, 36843
25	* 36836R0100	PARA: 36840, 36844
25	* 36837R0100	PARA: 36841, 36845
25	* 36838R0100	PARA: 36842, 36846