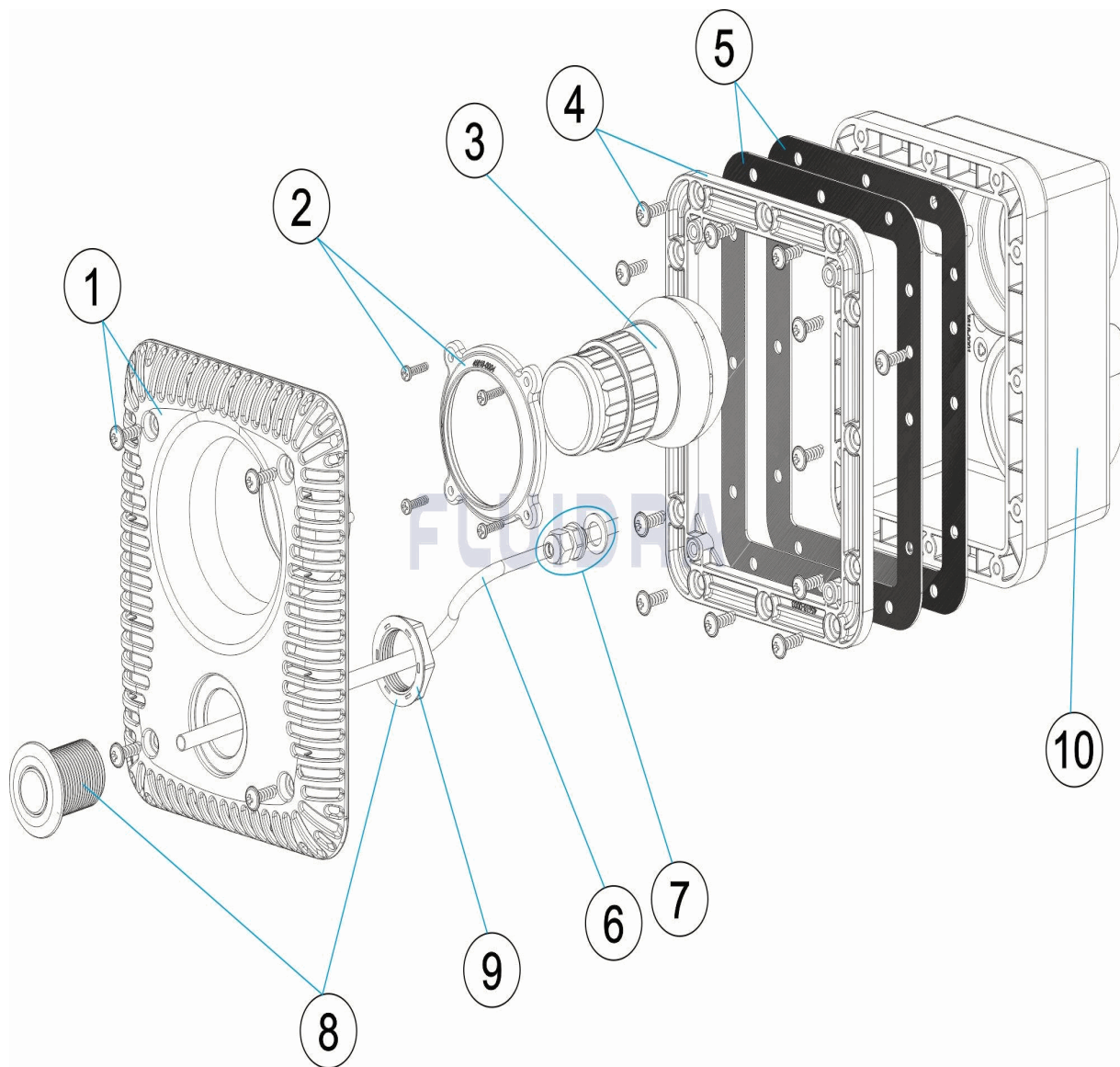


CODIGO **45618, 53835**

DESCRIPCION: **CONTRACORRIENTE CUADRADO**



ESPAÑOL

POS	CODIGO	DESCRIPCION	CANTIDAD	POS	CODIGO	DESCRIPCION	CANTIDAD
1	4402050000	EMBELLECEDOR CUADRADO		6	4402050005	TUBO ULTRAVINILO 4X6X500	
2	4402050001	TAPA PRESION BOLA		7	4402050006	PRENSAESTOPAS M-12X1,5	
3	4402050002	BOQUILLA CONTRACORRIENTE		8	4402050007	CJTO. PULSADOR NEUMATICO	
4	* 4402050003	BRIDA CONTRACORRIENTE CUADRADA		9	4402050008	TUERCA 1" BSP PULSADOR NEUMATIC "	
4	* 4402050077	BRIDA CONTRACORRIENTE CUADRADA		10	* 45618R0001	NICHO CONTRACORRIENTE CUADRADO	
5	4402050004	JUNTA ADHESIVA SUMIDERO CUADRADO					

CODIGO **45618, 53835**

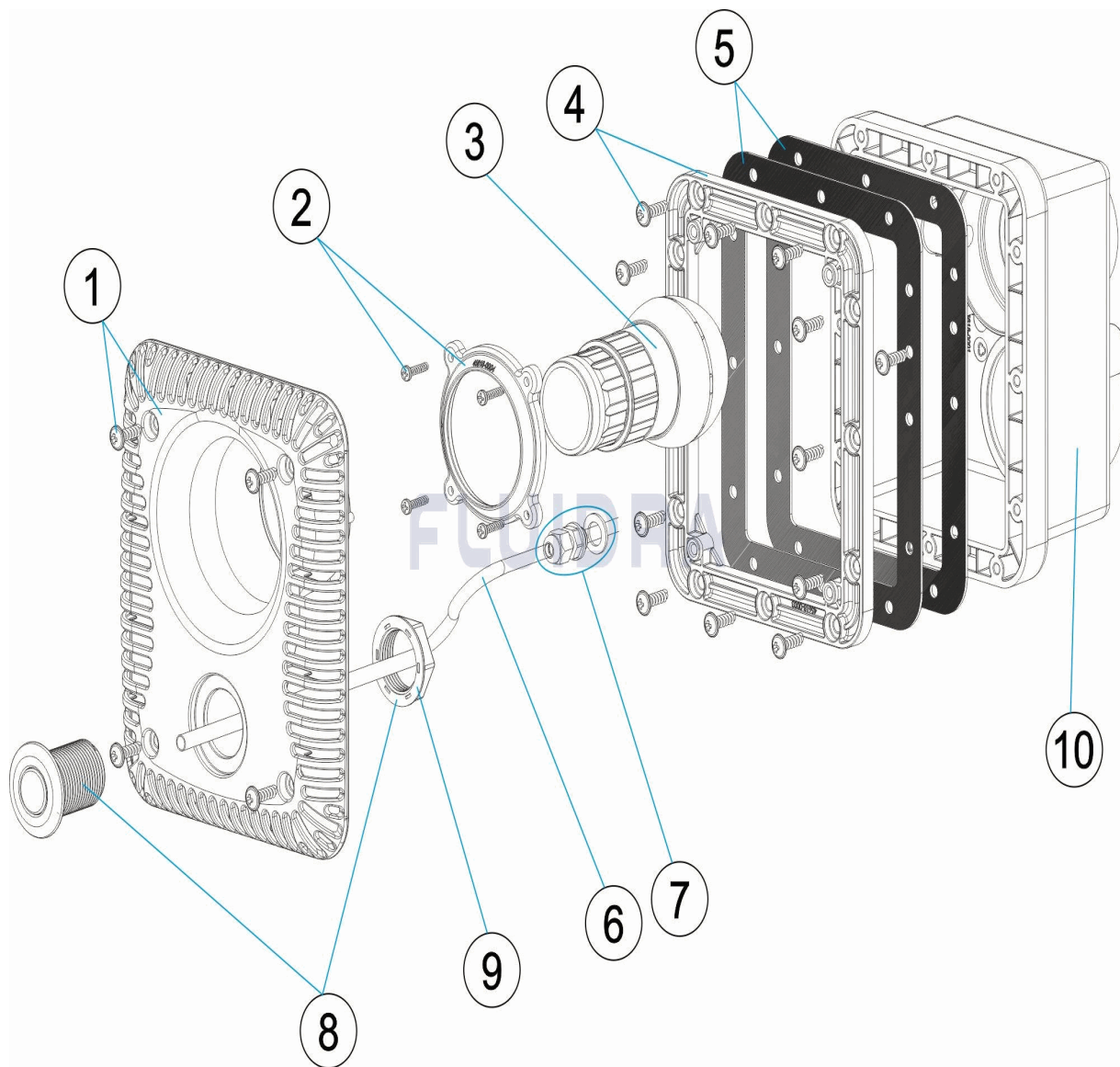
DESCRIPCION: **CONTRACORRIENTE CUADRADO**

OBSERVACIONES

POS	CODIGO	OBSERVACIONES
4	* 4402050003	PARA: 45618
4	* 4402050077	PARA: 53835
10	* 45618R0001	PARA: 45618

CODE 45618, 53835

DESCRIPTION: ÉQUIPEMENT DE NAGE À CONTRE-COURANT



FRANCAIS

POS	CODE	DESCRIPTION	QUANTITE	POS	CODE	DESCRIPTION	QUANTITE
1	4402050000	ENJOLIVEUR CARRÉ		6	4402050005	TUYAU ULTRAVINYLE 4X6X500	
2	4402050001	COUVERCLE PRESSION BALLE		7	4402050006	PASSE-CÂBLES M-12X1,5	
3	4402050002	BUSE CONTRE-COURANT		8	4402050007	ENSEMBLE BOUTON-POUSOIR PNEUMAT	
4	* 4402050003	CADRE CONTRE-COURANT CARRÉE		9	4402050008	ÉCROU 1" BSP BOUTON-POUSOIR PNEUM	
4	* 4402050077	CADRE CONTRE-COURANT CARRÉE		10	* 45618R0001	NICHE CONTRE-COURANT CARRÉE	
5	4402050004	JOINT ADHÉSIF BUSE CARRÉE					

CODE **45618, 53835**

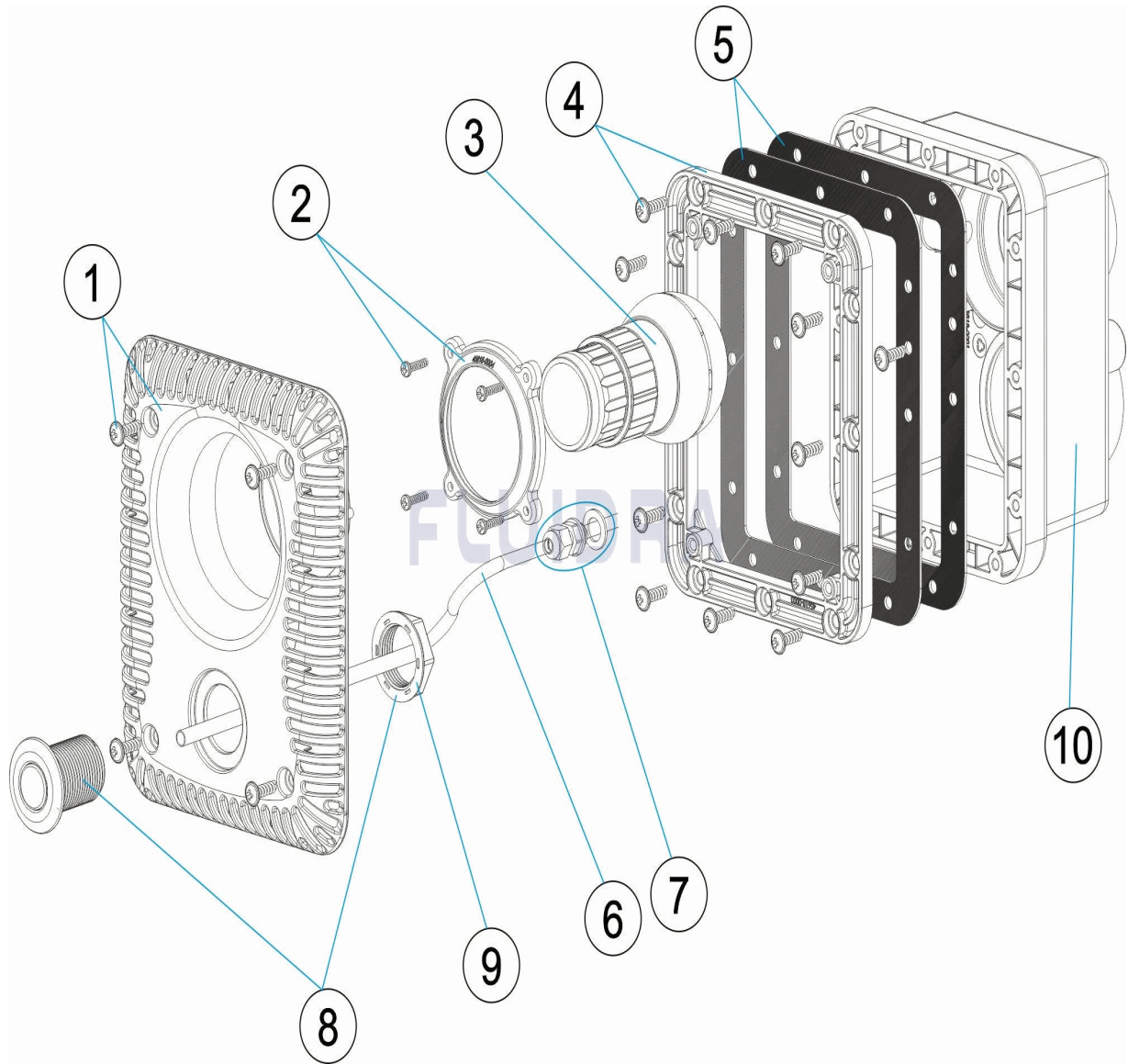
DESCRIPTION: **ÉQUIPEMENT DE NAGE À CONTRE-COURANT**

OBSERVATIONS

POS	CODE	OBSERVATIONS
4	* 4402050003	POUR: 45618
4	* 4402050077	POUR: 53835
10	* 45618R0001	POUR: 45618

CODE **45618, 53835**

DESCRIPTION: **SQUARE COUNTERCURRENT**



ENGLISH

POS	CODE	DESCRIPTION	QUANTITY	POS	CODE	DESCRIPTION	QUANTITY
1	4402050000	SQUARE TRIM		6	4402050005	4X6X500 ULTRA VINYL TUBING	
2	4402050001	PRESSURE CAP BALL		7	4402050006	CABLE GLAND M-12X1,5	
3	4402050002	COUNTERCURRENT NOZZLE		8	4402050007	PNEUMATIC SWITCH UNIT	
4	* 4402050003	SQUARE COUNTERCURRENT FLANGE		9	4402050008	1" BSP PNEUMATIC SWITCH NU "	
4	* 4402050077	SQUARE COUNTERCURRENT FLANGE		10	* 45618R0001	SQUARE COUNTERCURRENT NICHE	
5	4402050004	SQUARE ADHESIVE DRAIN SEAL					

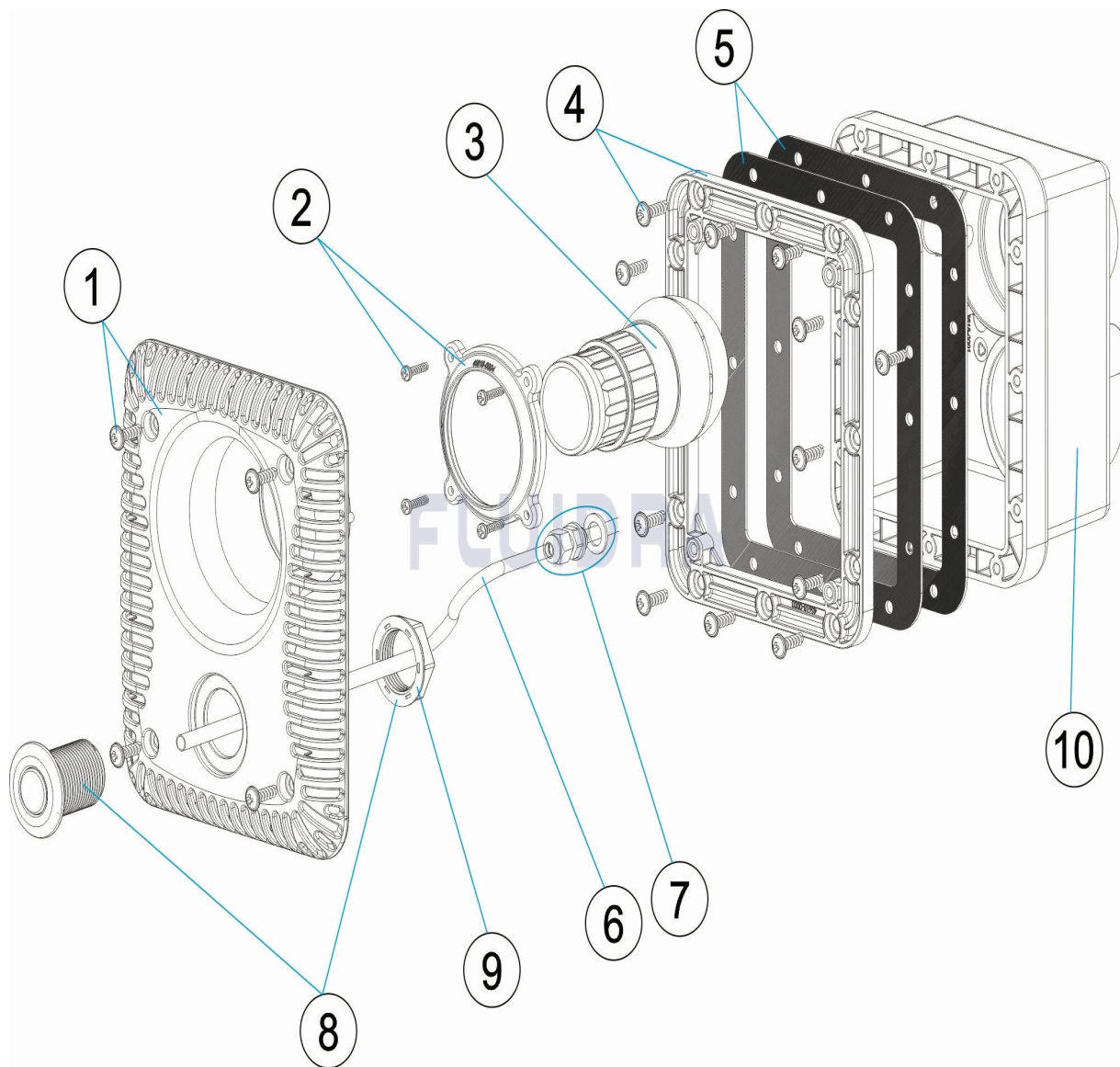
CODE **45618, 53835**DESCRIPTION: **SQUARE COUNTERCURRENT**

OBSERVATIONS

POS	CODE	OBSERVATIONS
4	* 4402050003	FOR: 45618
4	* 4402050077	FOR: 53835
10	* 45618R0001	FOR: 45618

CODICE 45618, 53835

DESCRIZIONE: CONTROCORRENTE QUADRATO



ITALIANO

POS	CODICE	DESCRIZIONE	QUANTITA'	POS	CODICE	DESCRIZIONE	QUANTITA'
1	4402050000	COPERTURA DECORATIVA QUADRATA		6	4402050005	TUBO ULTRAVINILE 4X6X500	
2	4402050001	COPERCHIO PRESSIONE SFERA		7	4402050006	PASSACAVI M-12X1,5	
3	4402050002	BOCCHETTA CONTROCORRENTE		8	4402050007	CONGIUNTO PULSANTE PNEUMATICO	
4	* 4402050003	BRIGLIA CONTROCORRENTE QUADRATA		9	4402050008	DADO 1" BSP PULSANTE PNEUMATIC "	
4	* 4402050077	BRIGLIA CONTROCORRENTE QUADRATA		10	* 45618R0001	NICCHIA CONTROCORRENTE QUADRATA	
5	4402050004	GIUNTURA ADESIVA SCOLATOIO QUADRA'					

CODICE **45618, 53835**

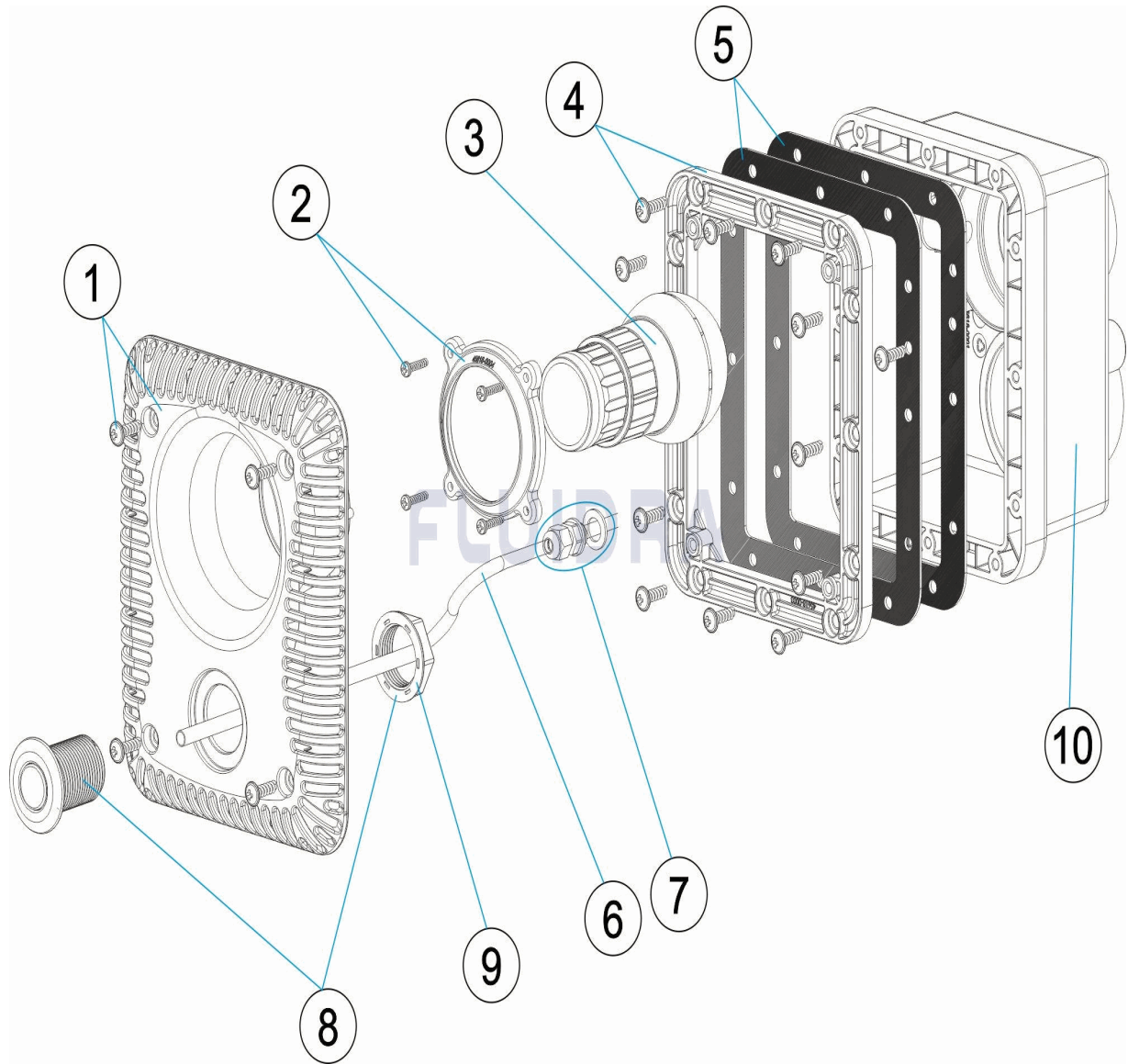
DESCRIZIONE: **CONTROCORRENTE QUADRATO**

OSSERVAZIONI

POS	CODICE	OSSERVAZIONI
4	* 4402050003	PER: 45618
4	* 4402050077	PER: 53835
10	* 45618R0001	PER: 45618

CODE **45618, 53835**

BESCHREIBUNG: **GEGENSTROM QUADRATISCH**



DEUTSCH

POS	CODE	BESCHREIBUNG	MENGE	POS	CODE	BESCHREIBUNG	MENGE
1	4402050000	BLLENDE QUADRATISCH		6	4402050005	ROHR UTLRAVINYL 4 X 6 X 500	
2	4402050001	ABDECKUNG KUGEL		7	4402050006	QUETSCHVERSCHRAUBUNG M-12 X 1,5	
3	4402050002	GEGENSTROMDÜSE		8	4402050007	SET PNEUMATISCHER DRUCKTASTER	
4	* 4402050003	FLANSCH GEGENSTROM QUADRATISCH		9	4402050008	MUTTER 1" BSP PNEUMATISCHER DRUCK	1
4	* 4402050077	FLANSCH GEGENSTROM QUADRATISCH		10	* 45618R0001	EINBAUTOPF GEGENSTROM QUADRATISCH	
5	4402050004	DICHTUNG SELBSTKLEBEND ABFLUSS QL					

CODE **45618, 53835**

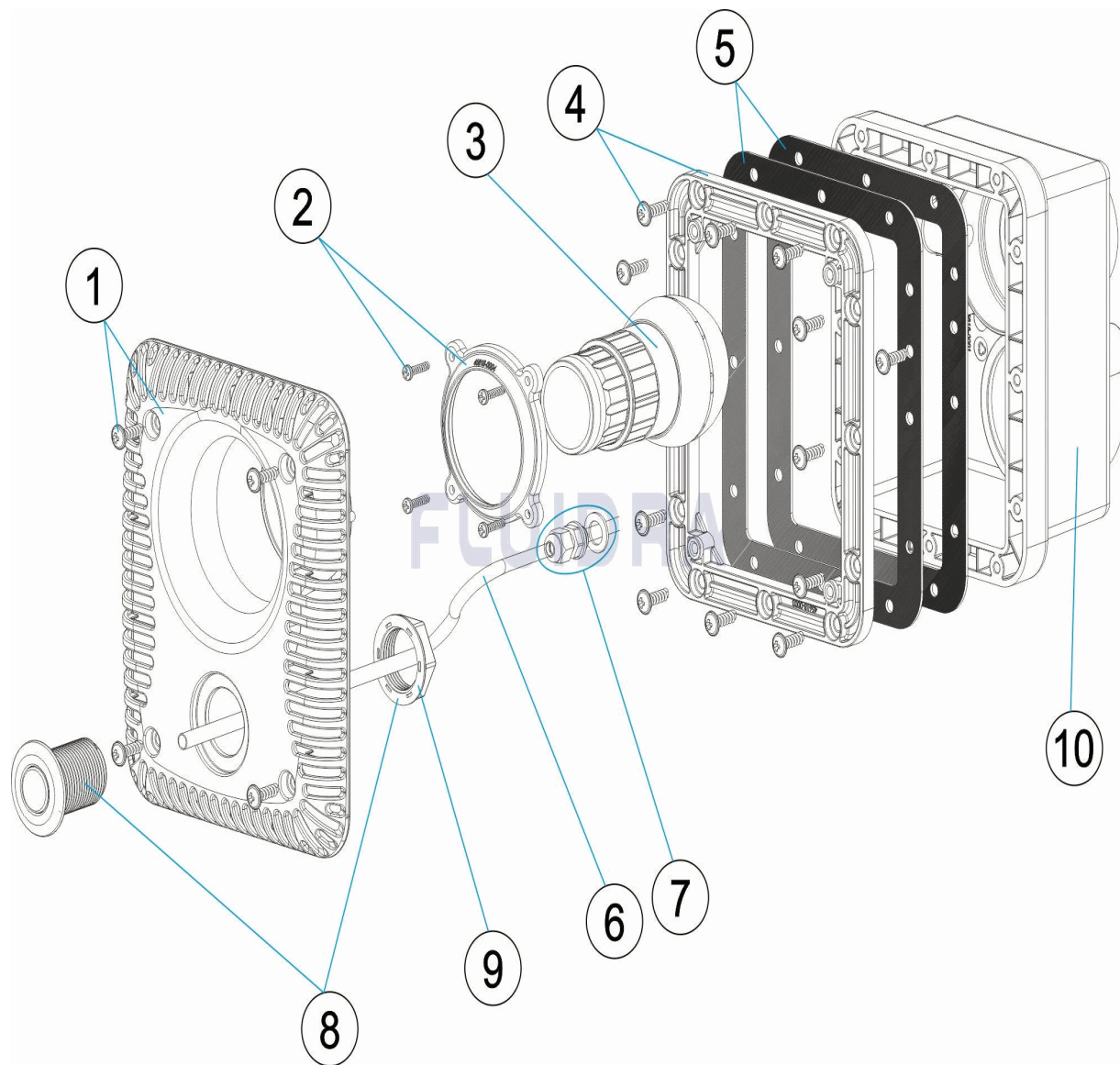
BESCHREIBUNG: **GEGENSTROM QUADRATISCH**

HINWEISE

POS	CODE	HINWEISE
4	* 4402050003	FÜR: 45618
4	* 4402050077	FÜR: 53835
10	* 45618R0001	FÜR: 45618

CODIGO **45618, 53835**

DESCRICAÇÃO: **CONTRA-CORRENTE QUADRADO**



PORTUGUES

POS	CODIGO	DESCRICAÇÃO	JANTIDADE	POS	CODIGO	DESCRICAÇÃO	JANTIDADE
1	4402050000	PLACA DECORATIVA QUADRADA		6	4402050005	TUBO ULTRAVINIL 4 X 6 X 500	
2	4402050001	TAMPA PRESSÃO BOLA		7	4402050006	PASSA-CABOS M-12X1,5	
3	4402050002	BOQUILHA CONTRA-CORRENTE		8	4402050007	CJTO. BOTÃO PNEUMÁTICO	
4	* 4402050003	REBORDO CONTRA-CORRENTE QUADRAI		9	4402050008	PORCA 1" BSL BOTÃO PNEUMÁTIC "	
4	* 4402050077	REBORDO CONTRA-CORRENTE QUADRAI		10	* 45618R0001	NICHO CONTRA-CORRENTE QUADRADO	
5	4402050004	JUNTA ADESIVA ESGOTO QUADRADO					

CODIGO **45618, 53835**

DESCRIÇÃO: **CONTRA-CORRENTE QUADRADO**

OBSERVAÇÕES

POS	CODIGO	OBSERVAÇÕES
4	* 4402050003	PARA: 45618
4	* 4402050077	PARA: 53835
10	* 45618R0001	PARA: 45618