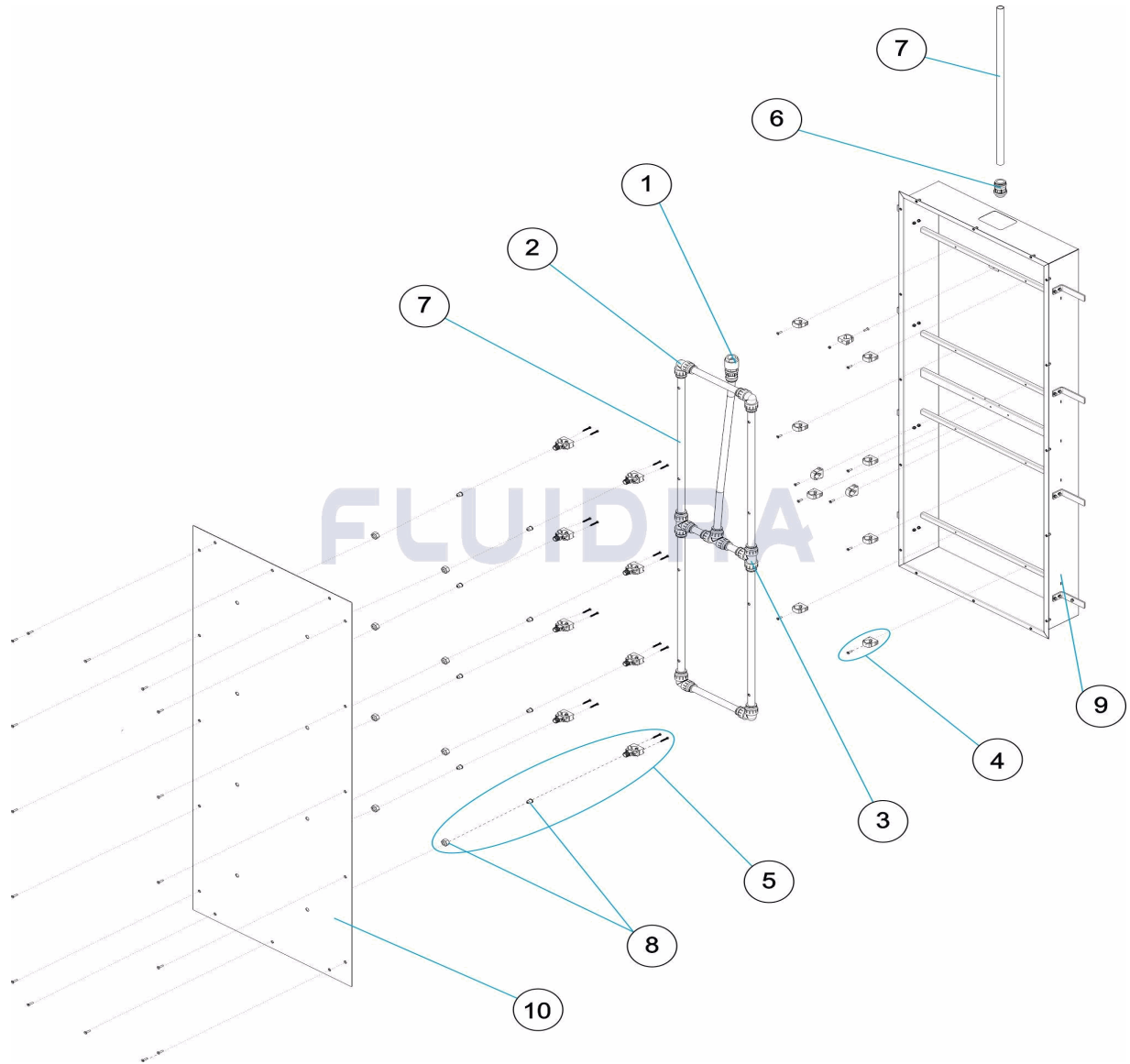


CODIGO **41255**

DESCRIPCION: **DUCHA NEBULIZADA**

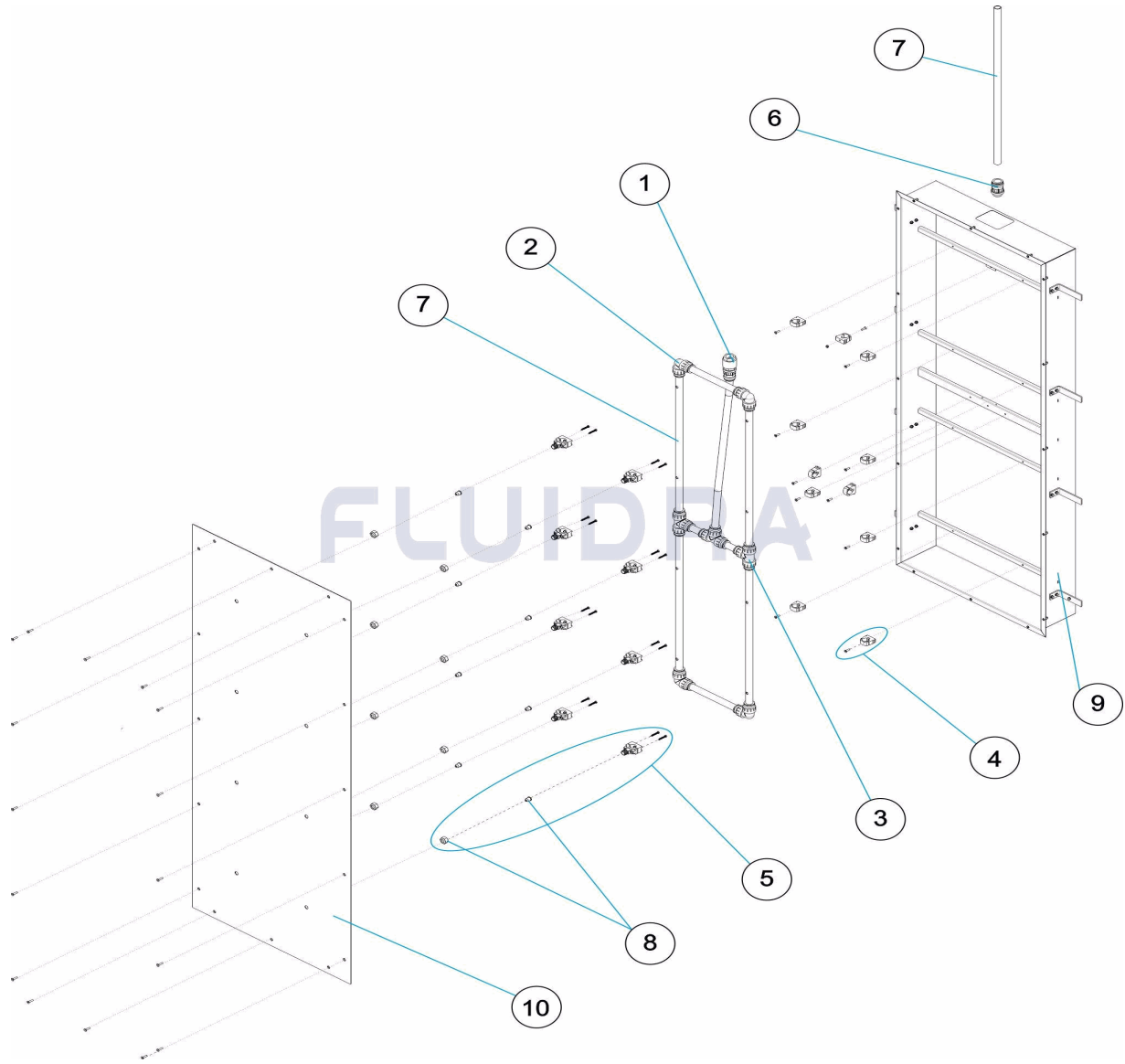


ESPAÑOL

POS	CODIGO	DESCRIPCION	CANTIDAD	POS	CODIGO	DESCRIPCION	CANTIDAD
1	4401040126	VALVULA DE RETENCION YORK 3/4"	7	4401040125	TUBO MULTICAPA B-PEX 22X3 (1 METRO)		
2	4401040115	CODO D.22	7	4401040152	TUBO MULTICAPA B-PEX 22X3 (2 METROS)		
3	4401040117	TE D.22	7	4401040153	TUBO MULTICAPA B-PEX 22X3 (3 METROS)		
4	4401040122	CLIP D.22	8	4401040154	BOQUILLA NEBULIZADORA + TUERCA		
5	4401040127	ABRAZADERA D. 22 + BOQUILLA NEBULIZADORA	9	34056R0100	CUERPO COLUMNA		
6	4401040114	ADAPTADOR MACHO D.22-3/4"	10	34056R0001	EMBELLECEDOR COLUMNA NEBULIZADA		

CODE 41255

DESCRIPTION: DOUCHE NÉBULISATION

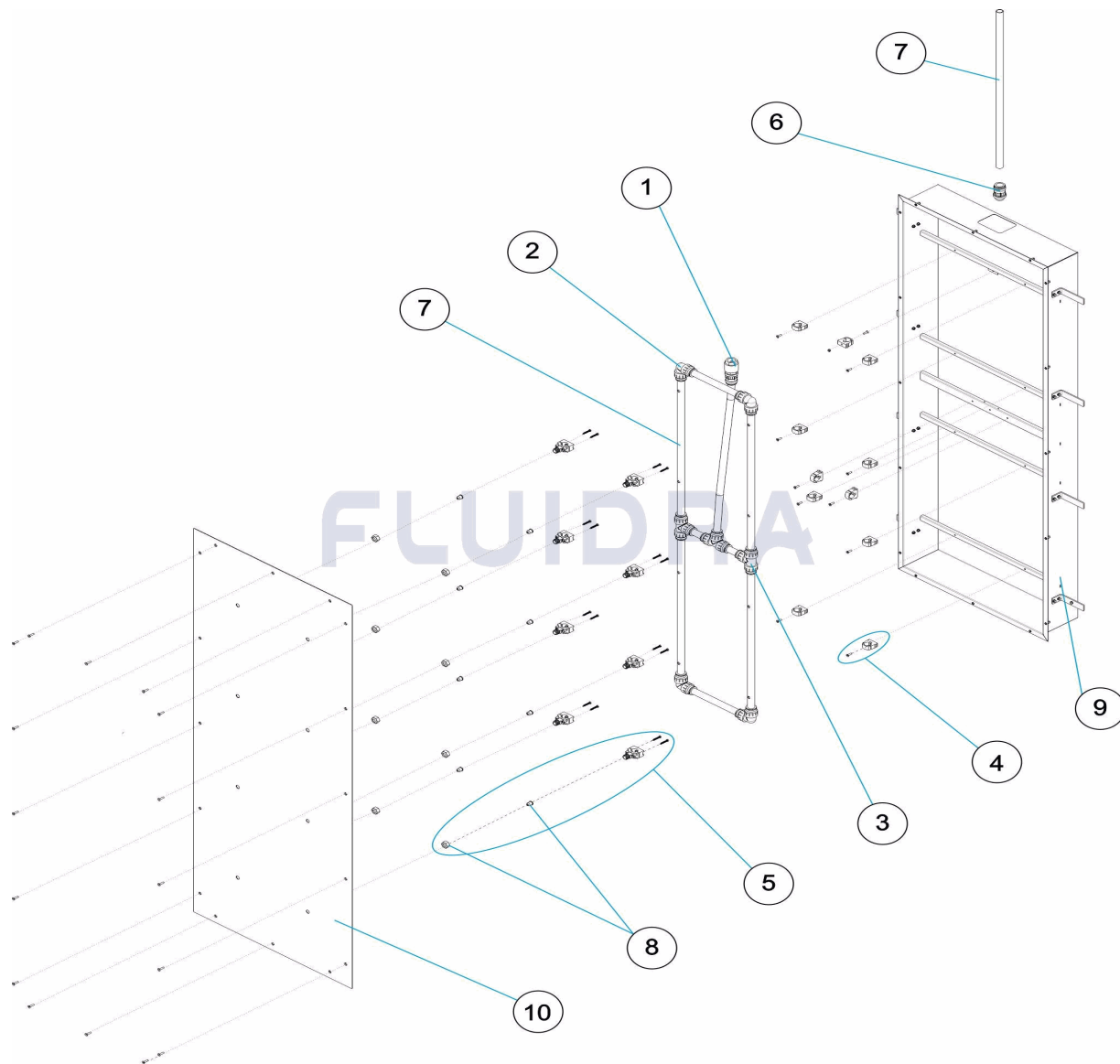


FRANCAIS

POS	CODE	DESCRIPTION	QUANTITE	POS	CODE	DESCRIPTION	QUANTITE
1	4401040126	CLAPET ANTI-RETOUR YORK 3/4'	7	4401040125	TUBO MULTISTRATO B-PEX 22X3 (1 METRC		
2	4401040115	COUDE D.22	7	4401040152	TUBO MULTISTRATO B-PEX 22X3 (2 METRC		
3	4401040117	TE D.22	7	4401040153	TUBO MULTISTRATO B-PEX 22X3 (3 METRC		
4	4401040122	CLIP D.22	8	4401040154	BUSE NÉBULISATION + ECROU		
5	4401040127	COLLIER D.22 + BUSE NÉBULISATION	9	34056R0100	CORPS DE LA COLONNE		
6	4401040114	ADAPTEUR MÂLE D.22-3/4"	10	34056R0001	ENJOLIVEUR NÉBULISATION		

CODE **41255**

DESCRIPTION: **NEBULIZING SHOWER**

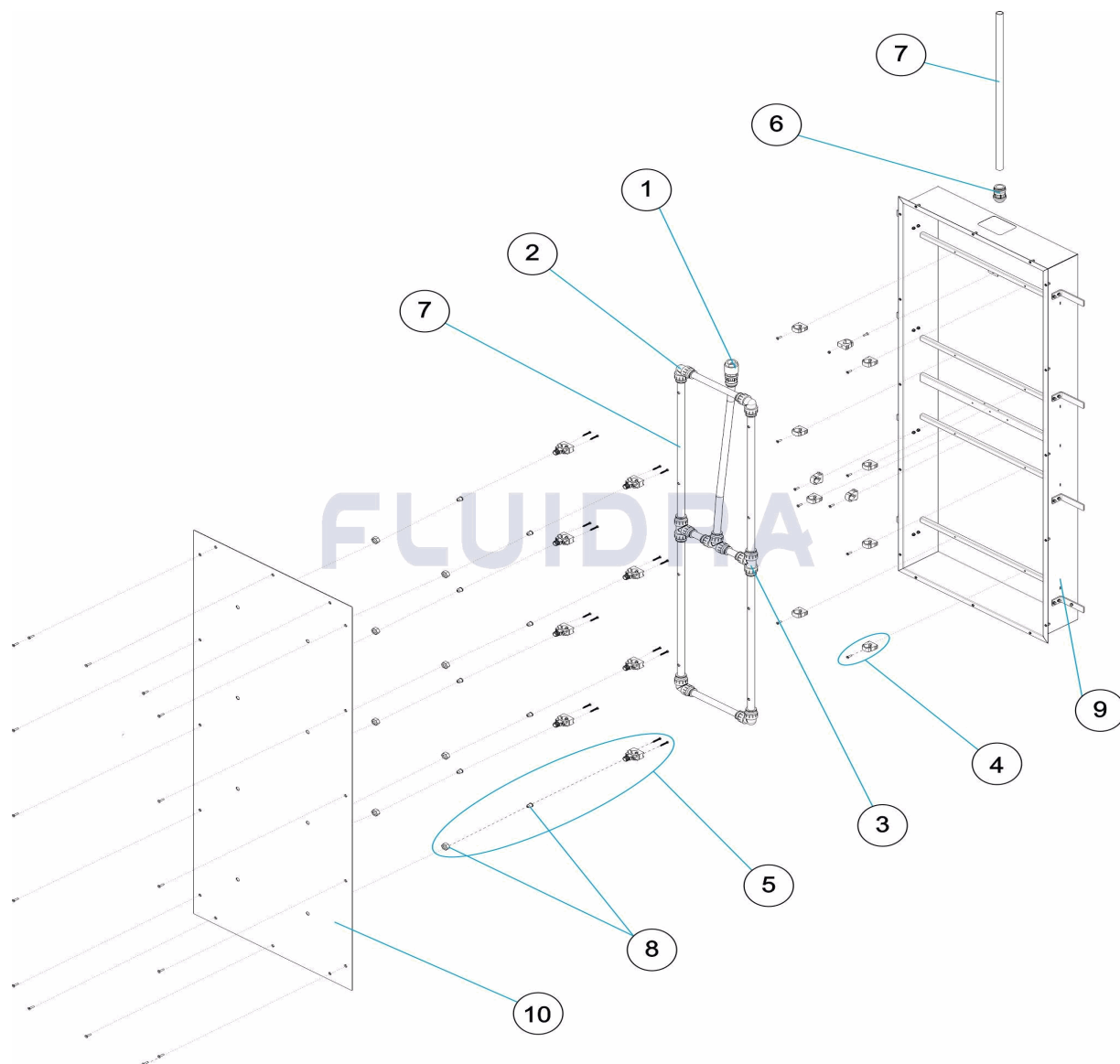


ENGLISH

POS	CODE	DESCRIPTION	QUANTITY	POS	CODE	DESCRIPTION	QUANTITY
1	4401040126	RÜCKHALTEVENTIL YORK 3/4"	7	4401040125	B-PEX MULTILAYER TUBING 22 X 3 (1 METF		
2	4401040115	D.22 ELBOW	7	4401040152	B-PEX MULTILAYER TUBING 22 X 3 (2 METF		
3	4401040117	D.22 'TE '	7	4401040153	B-PEX MULTILAYER TUBING 22 X 3 (3 METF		
4	4401040122	CLIP D.22	8	4401040154	NEBULISER NOZZLE + NUT		
5	4401040127	D.22 CLAMP + NEBULISER NOZZLE	9	34056R0100	COLUMN BODY		
6	4401040114	D. 22-3/4" MALE ADAPTOR	10	34056R0001	NEBULZD COLUMN		

CODICE **41255**

DESCRIZIONE: **DOCCIA NEBULIZZATA**

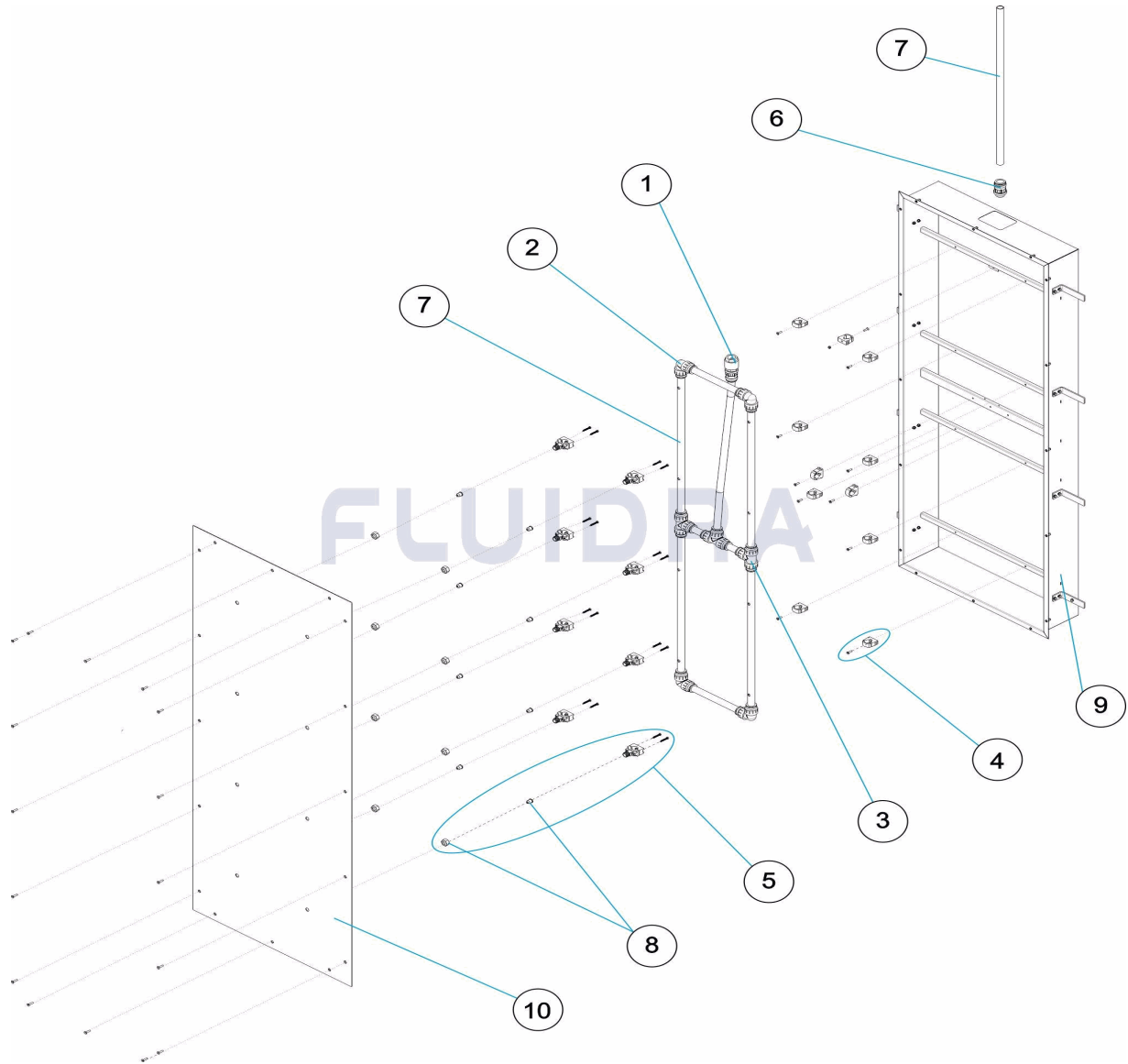


ITALIANO

POS	CODICE	DESCRIZIONE	QUANTITA'	POS	CODICE	DESCRIZIONE	QUANTITA'
1	4401040126	VALVOLA DI RITEGNO YORK 3/4"	7	4401040125	TUYAU MULTICOUCHE B-PEX 22X3 (1 MÈTf		
2	4401040115	GOMITO D.22	7	4401040152	TUYAU MULTICOUCHE B-PEX 22X3 (2 MÈTf		
3	4401040117	T' D.22	7	4401040153	TUYAU MULTICOUCHE B-PEX 22X3 (3 MÈTf		
4	4401040122	CLIP D.22	8	4401040154	BOCCHETTA NEBULIZZATA + DADO		
5	4401040127	FASCETTA D.22 + BOCCHETTA NEBULIZZA	9	34056R0100	CORPO COLONNA		
6	4401040114	ADATTATORE MASCHIO D.22-3/4"	10	34056R0001	FLANGIA NEBULIZZATA		

CODE **41255**

BESCHREIBUNG: **NEBELDUSCHE**

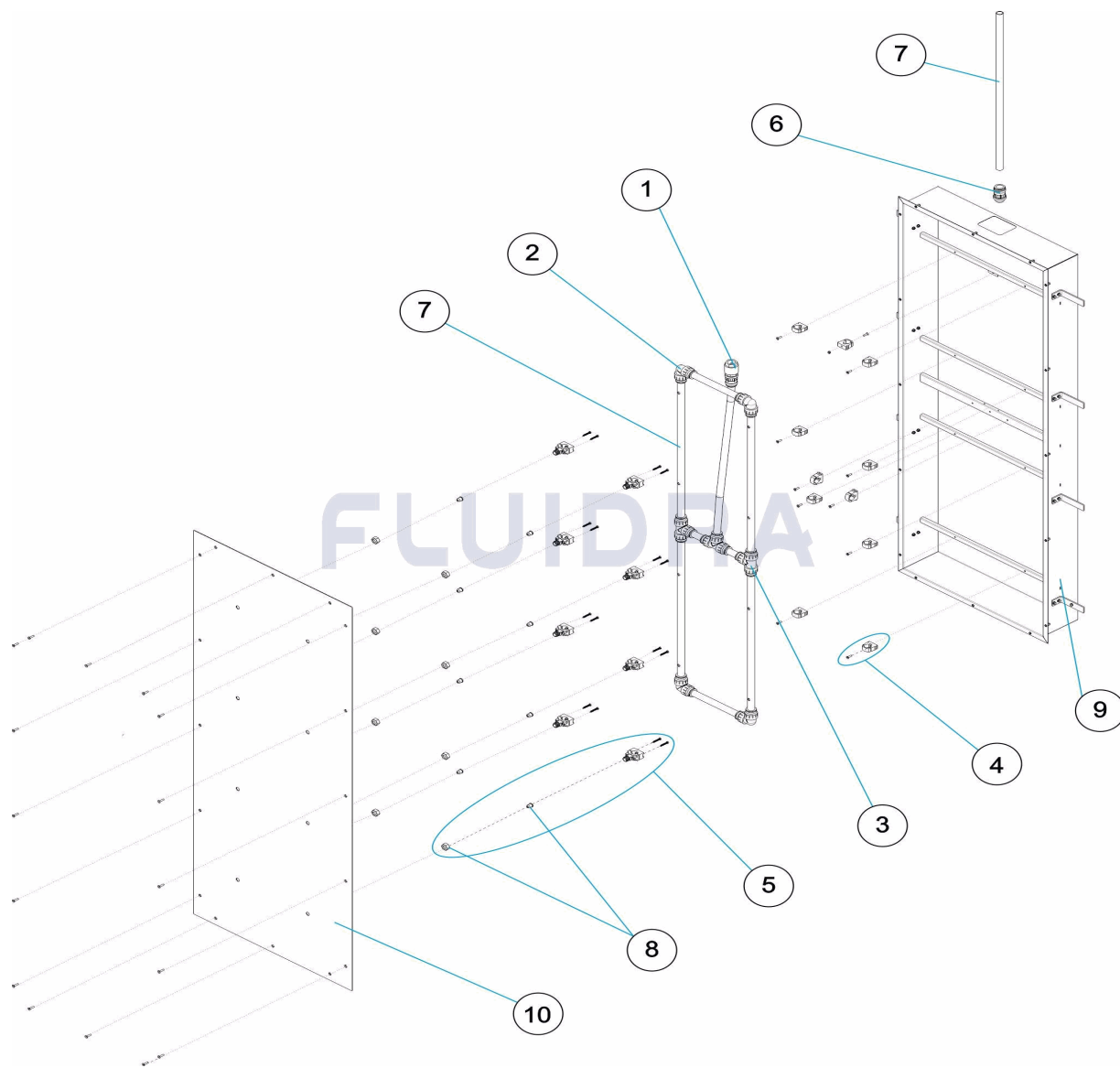


DEUTSCH

POS	CODE	BESCHREIBUNG	MENGE	POS	CODE	BESCHREIBUNG	MENGE
1	4401040126	RÜCKSCHLAGVENTIL YORK 3/4"	7	4401040125	MEHRSCSCHICHTROHR B - PEX 22 X 3 (1 ME)		
2	4401040115	WINKEL D. 22	7	4401040152	MEHRSCSCHICHTROHR B - PEX 22 X 3 (2 ME)		
3	4401040117	T-STÜCK D. 22	7	4401040153	MEHRSCSCHICHTROHR B - PEX 22 X 3 (3 ME)		
4	4401040122	CLIP D. 22	8	4401040154	SPÜHDÜSE MIT MUTTER		
5	4401040127	SCHELLE D. 22 MIT SPÜHDÜSE	9	34056R0100	GEHÄUSE SÄULE		
6	4401040114	ADAPTERSTECKER D. 22 - 3/4"	10	34056R0001	BLLENDE NEBELSÄULE		

CODIGO **41255**

DESCRIÇÃO: **CHUVEIRO NEBULIZADOR**



PORTUGUES

POS	CODIGO	DESCRIÇÃO	JANTIDADE	POS	CODIGO	DESCRIÇÃO	JANTIDADE
1	4401040126	VÁLVULA DE RETENÇÃO YORK 3/4"	7	4401040125	TUBO MULTICAMADA B-PEX 22X3 (1 METR(
2	4401040115	COTOBELO D.22	7	4401040152	TUBO MULTICAMADA B-PEX 22X3 (2 METR(
3	4401040117	TÊ' D.22	7	4401040153	TUBO MULTICAMADA B-PEX 22X3 (3 METR(
4	4401040122	CLIP D.22	8	4401040154	BOQUILHA NEBULIZADA + PORCA		
5	4401040127	ABRAÇADEIRA D.22 + BOQUILHA NEBULIZ	9	34056R0100	CORPO COLUMNA		
6	4401040114	ADAPTADOR MACHO D.22-3/4"	10	34056R0001	EMBELEZEDOR NEBULIZADA		