

# KIT

REV: 0

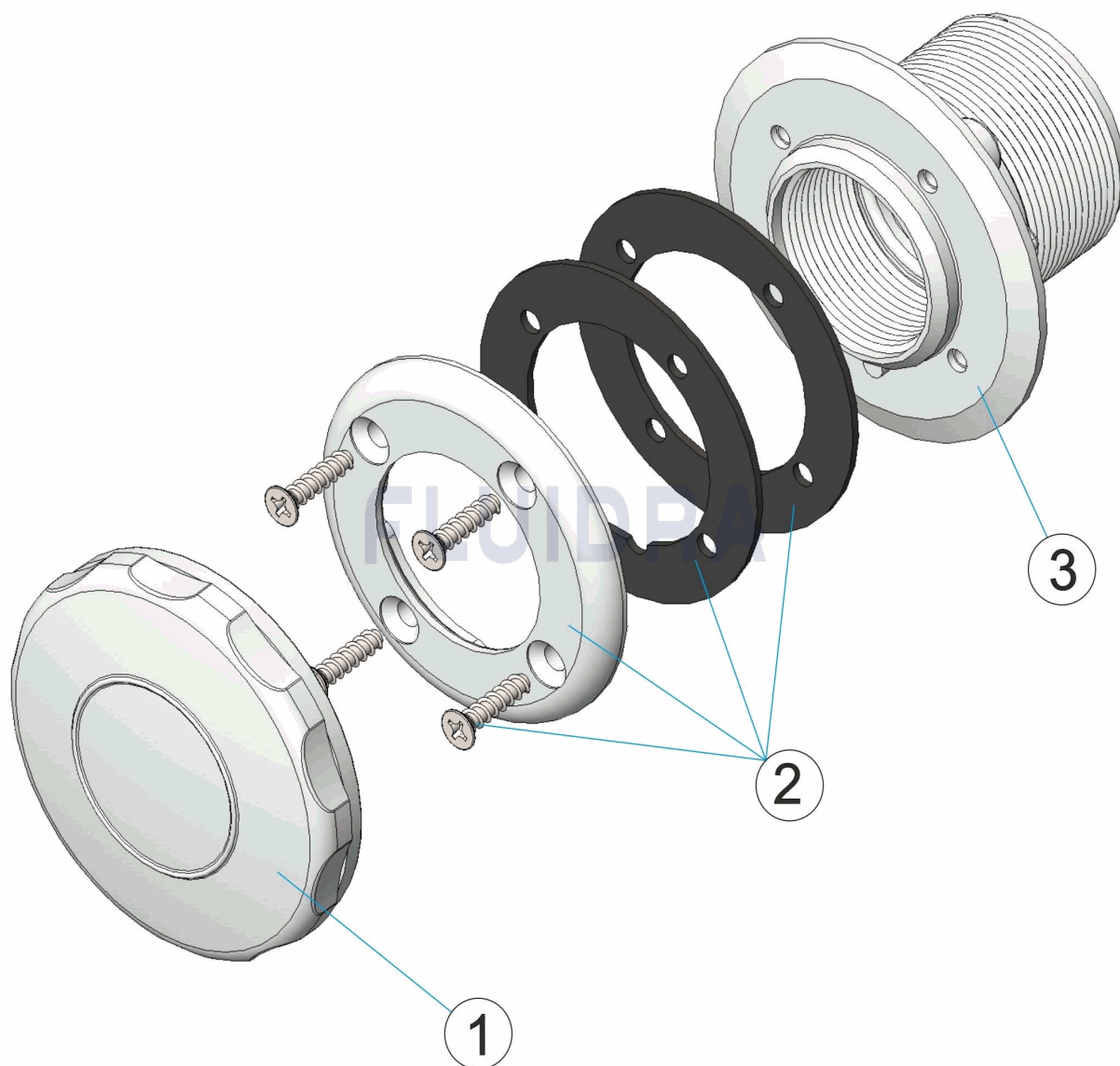
900

FECHA: 29/05/2012

HOJA: 1/6

CODIGO **34411CL129**

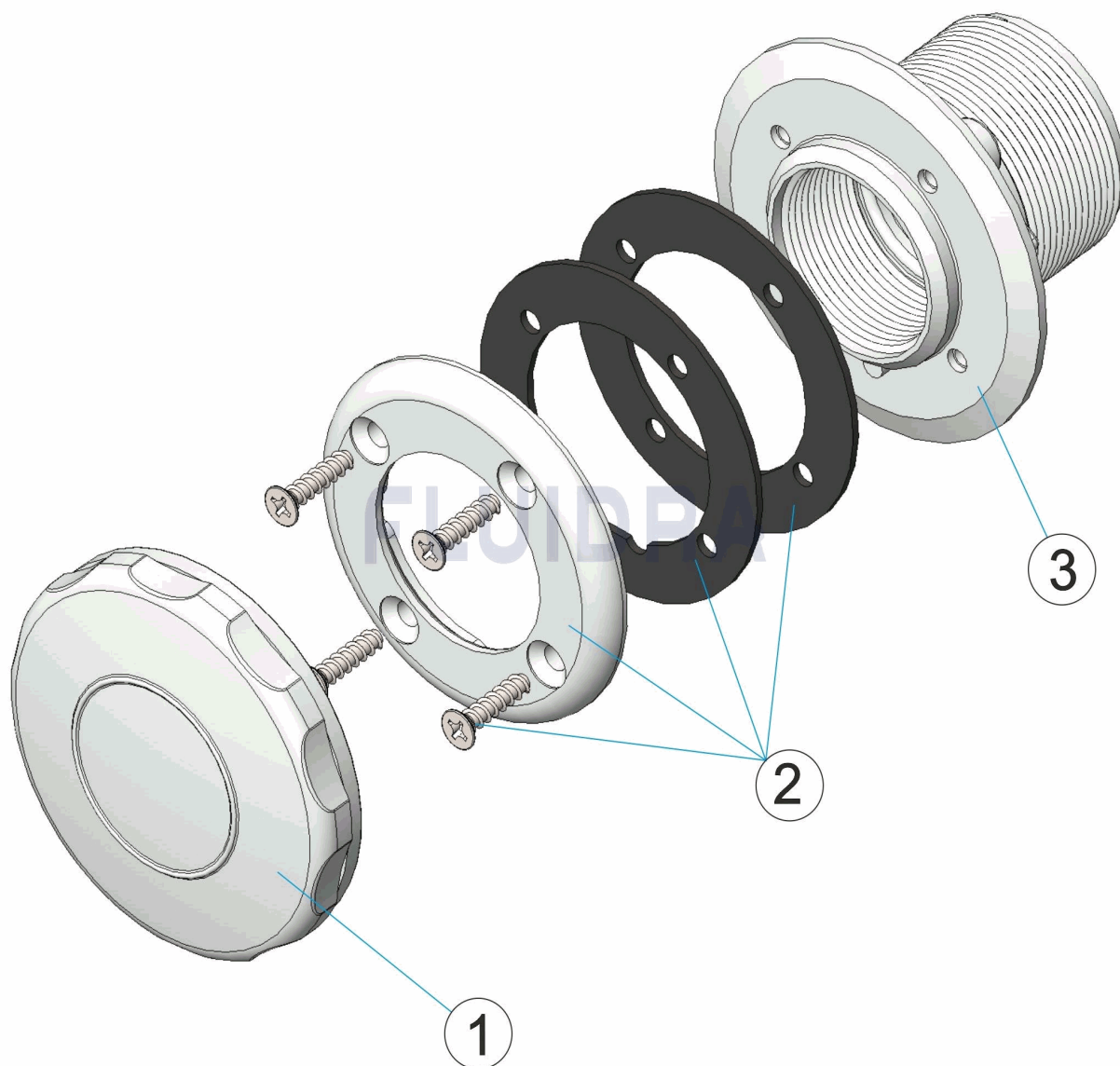
DESCRIPCION: **BOQUILLA ASPIRACION PF. EASY-LINE**



## ESPAÑOL

POS	CODIGO	DESCRIPCION	CANTIDAD	POS	CODIGO	DESCRIPCION	CANTIDAD
1	4402040026	TAPON BOQUILLA EASY-POOL		3	34411R0003	CUERPO BOQUILLA 100X54,5 LINER / INT. E	
2	4402044802	ARO Y JUNTA PISC. PREF.					

CODE                    **34411CL129**

 DESCRIPTION: **BOUCHE ASPIRATION PISC. PRÉF, EASY-LINE**

**FRANCAIS**

POS	CODE	DESCRIPTION	QUANTITE	POS	CODE	DESCRIPTION	QUANTITE
1	4402040026	BOUCHON DE BOUCHE EASY-POOL		3	34411R0003	CORPS BUSE 100X54,5 / LINER / INT. COLL	
2	4402044802	JOINT ET BRIDE POUR LINER					

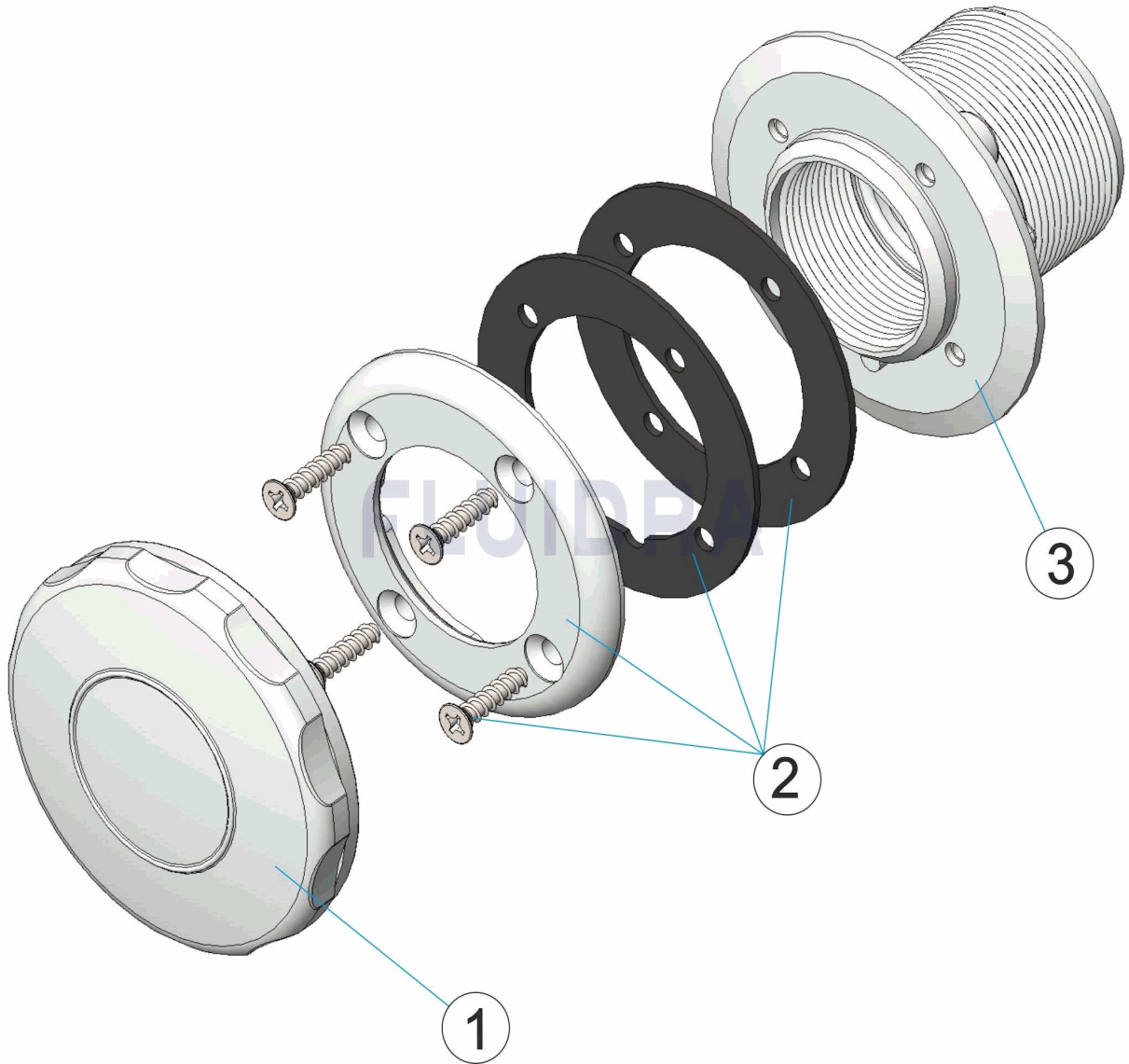
# PARTS BREAKDOWN

REV.: 0  
DATE: 29/05/2012  
SHEET: 3/6

900

CODE 34411CL129

DESCRIPTION: SUCTION NOZZLE PREFAB POOL, EASY-LINE



**ENGLISH**

POS	CODE	DESCRIPTION	QUANTITY	POS	CODE	DESCRIPTION	QUANTITY
1	4402040026	INLET CAP EASY-POOL		3	34411R0003	100X54.5 NOZZLE BODY/LINER/INT.SOLVENT	
2	4402044802	RING AND GASKET FOR LINER POOLS					

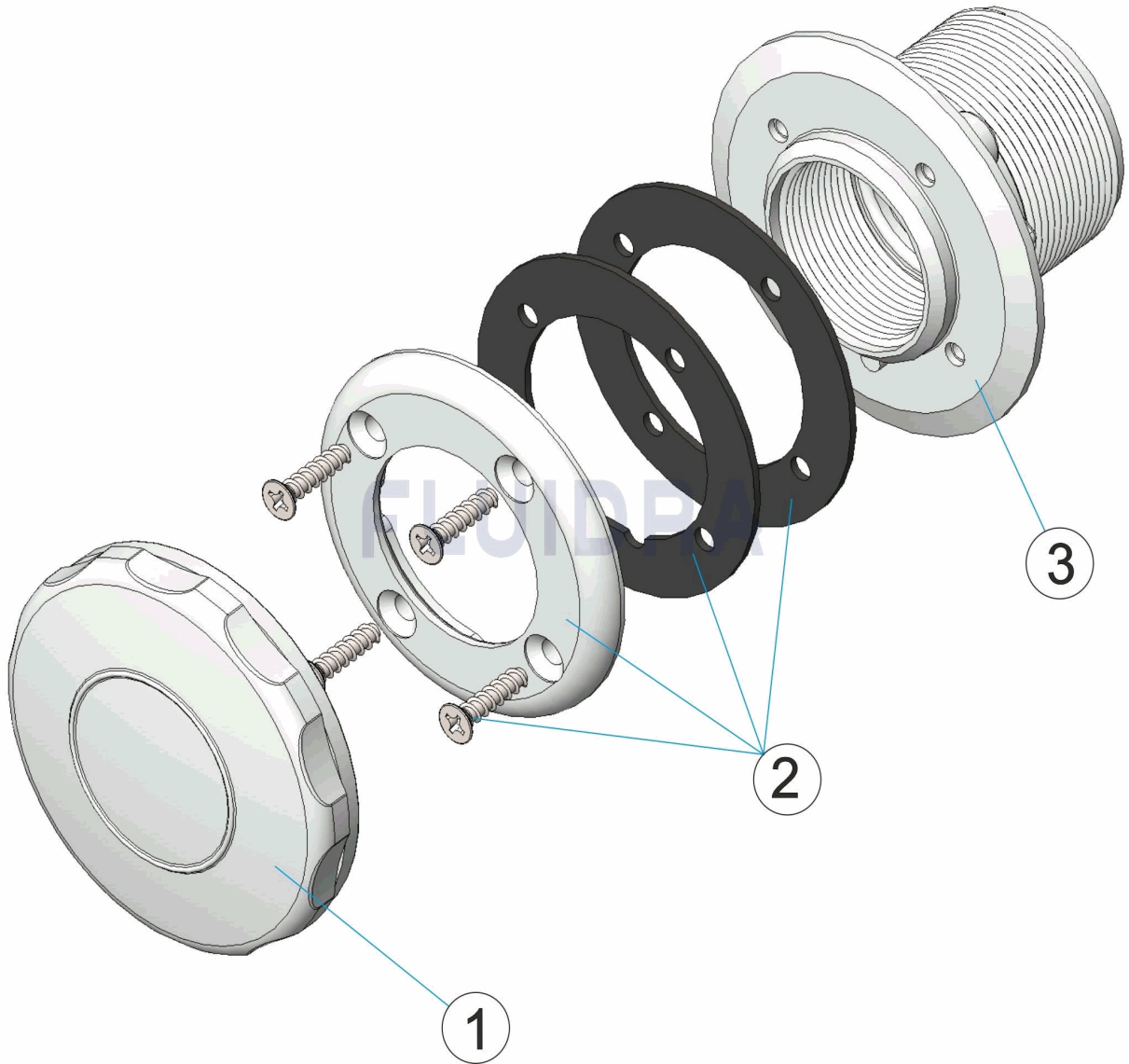
# ESPLOSO

REV.: 0  
DATA: 29/05/2012  
PAG.: 4/6

900

CODICE 34411CL129

DESCRIZIONE: BOCCHETTA ASPIRAZIONE PISC. PREF. EASY-LINE



## ITALIANO

POS	CODICE	DESCRIZIONE	QUANTITA'	POS	CODICE	DESCRIZIONE	QUANTITA'
1	4402040026	COPERCHIO BOCCHETTA EASY-POOL		3	34411R0003	CORPO BOCCHETTA 100X54,5/LINER/INT. II	
2	4402044802	COPRIFLANGIA E GUARNIZIONE PISC. PRI					

# EINZELTEILE

ÜBER.: 0

900

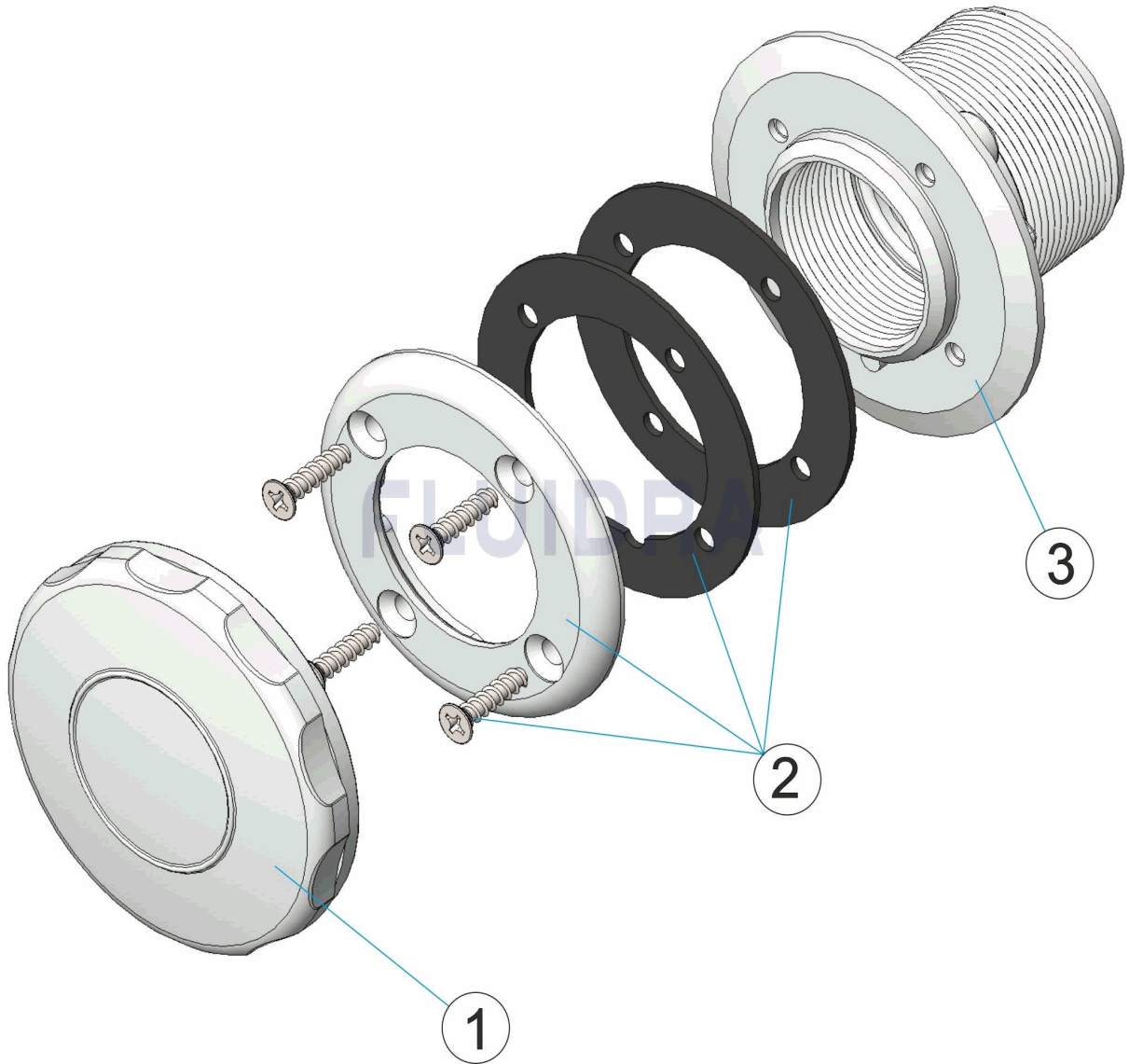
DATUM: 29/05/2012

BLATT: 5/6

CODE

34411CL129

BESCHREIBUNG: SAUGDÜSE PF. EASY-LINE



## DEUTSCH

POS	CODE	BESCHREIBUNG	MENGE	POS	CODE	BESCHREIBUNG	MENGE
1	4402040026	STOPFEN DÜSE EASY-POL		3	34411R0003	GEHÄUSE DÜSE 100 X 54,5 FOLIE / INT. ZU	
2	4402044802	RING UND DICHTUNG FERTIGBECKEN					

# ITEM

REV.: 0

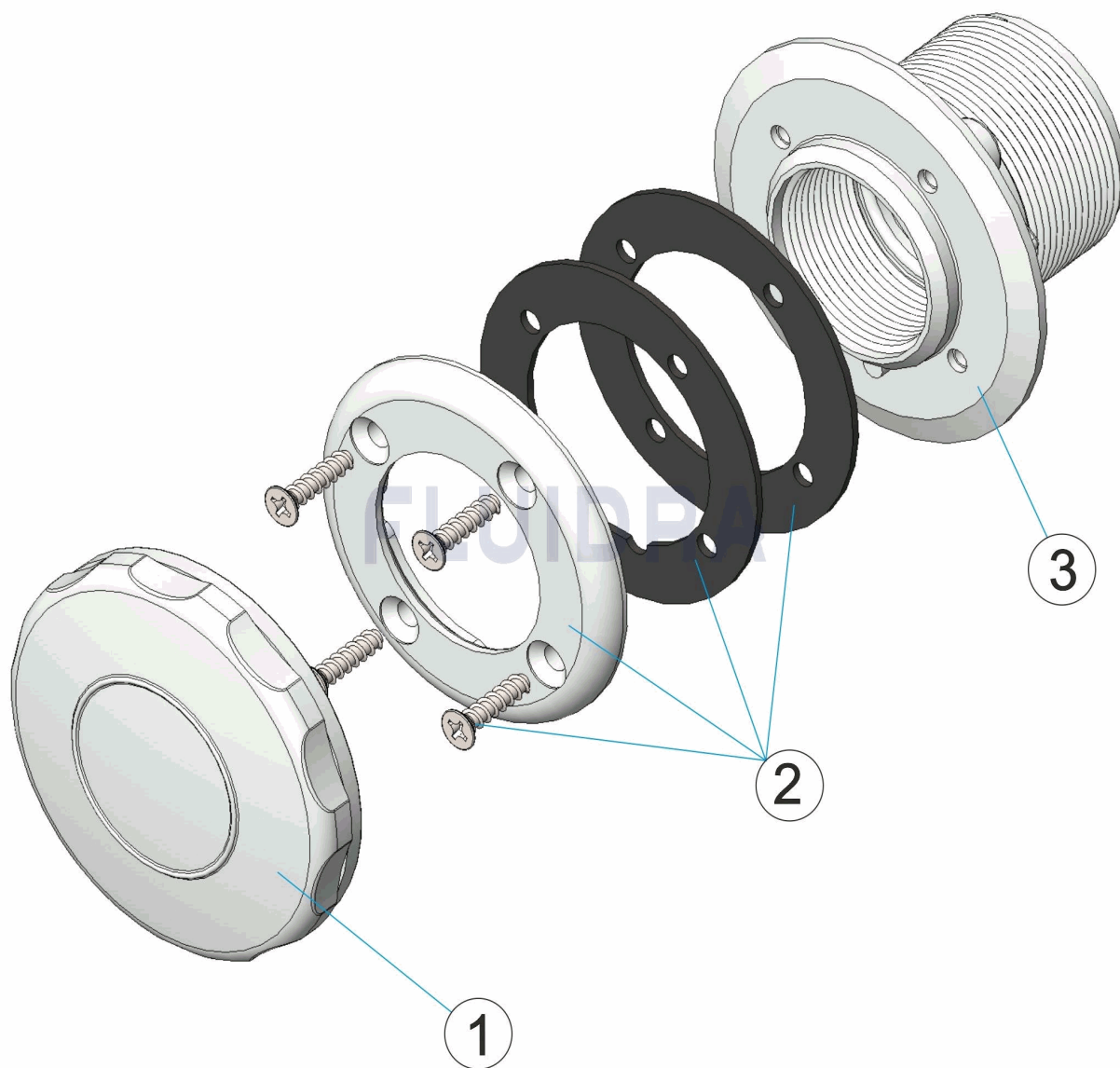
900

DATA: 29/05/2012

FOLHA: 6/6

CODIGO **34411CL129**

DESCRIÇÃO: **BOQUILHA ASPIRAÇÃO PIS. PRÉ-F, EASY-LINE**



**PORTUGUES**

POS	CODIGO	DESCRIÇÃO	JANTIDADE	POS	CODIGO	DESCRIÇÃO	JANTIDADE
1	4402040026	TAMPÃO BOCA EASY-POOL		3	34411R0003	PEÇA BOCAL 100X54,5/LINER/INT. COLÁVE	
2	4402044802	ARO E JUNTA PISCINA PRE-FABRICADA					