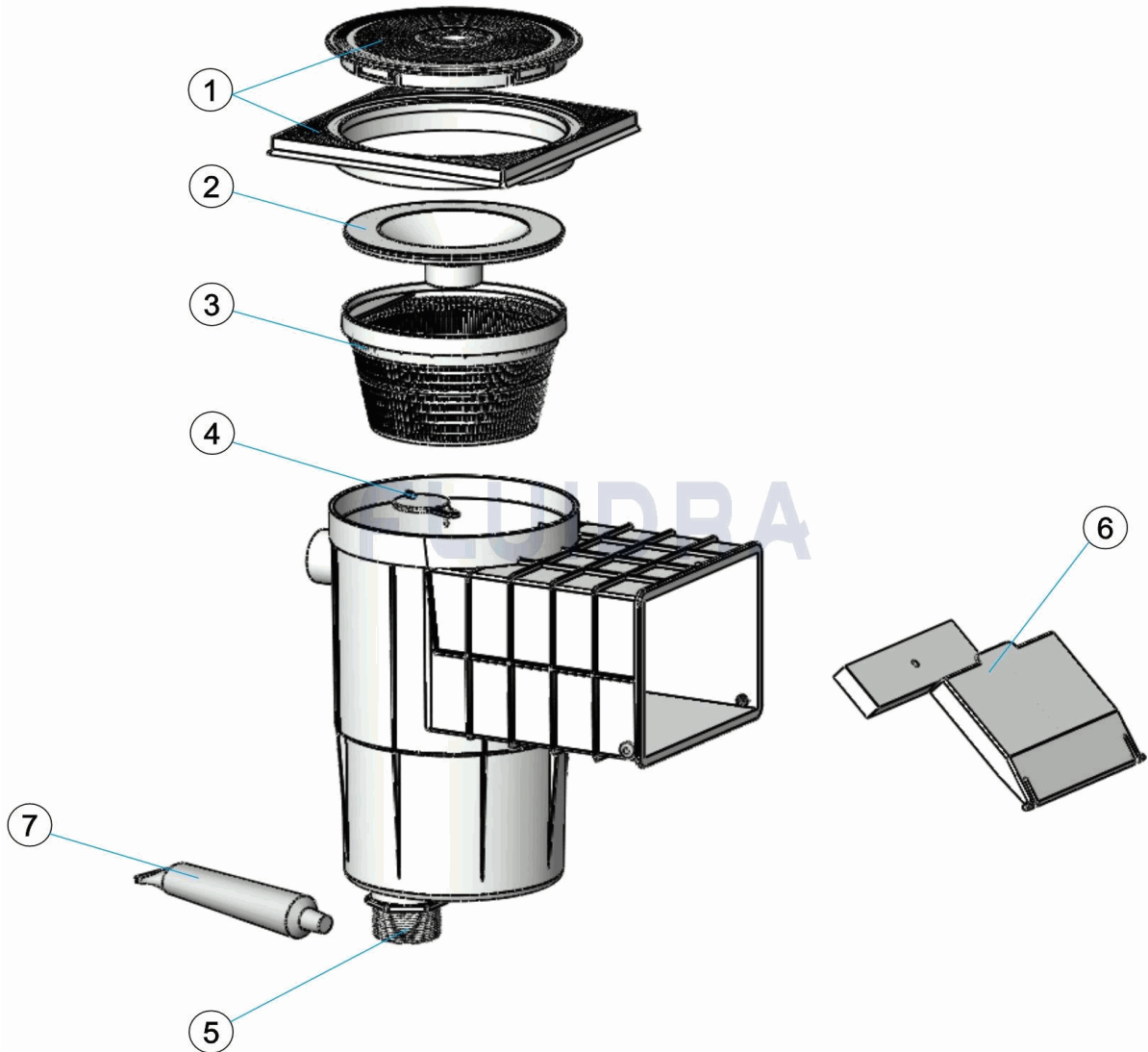


CODIGO **A-001**

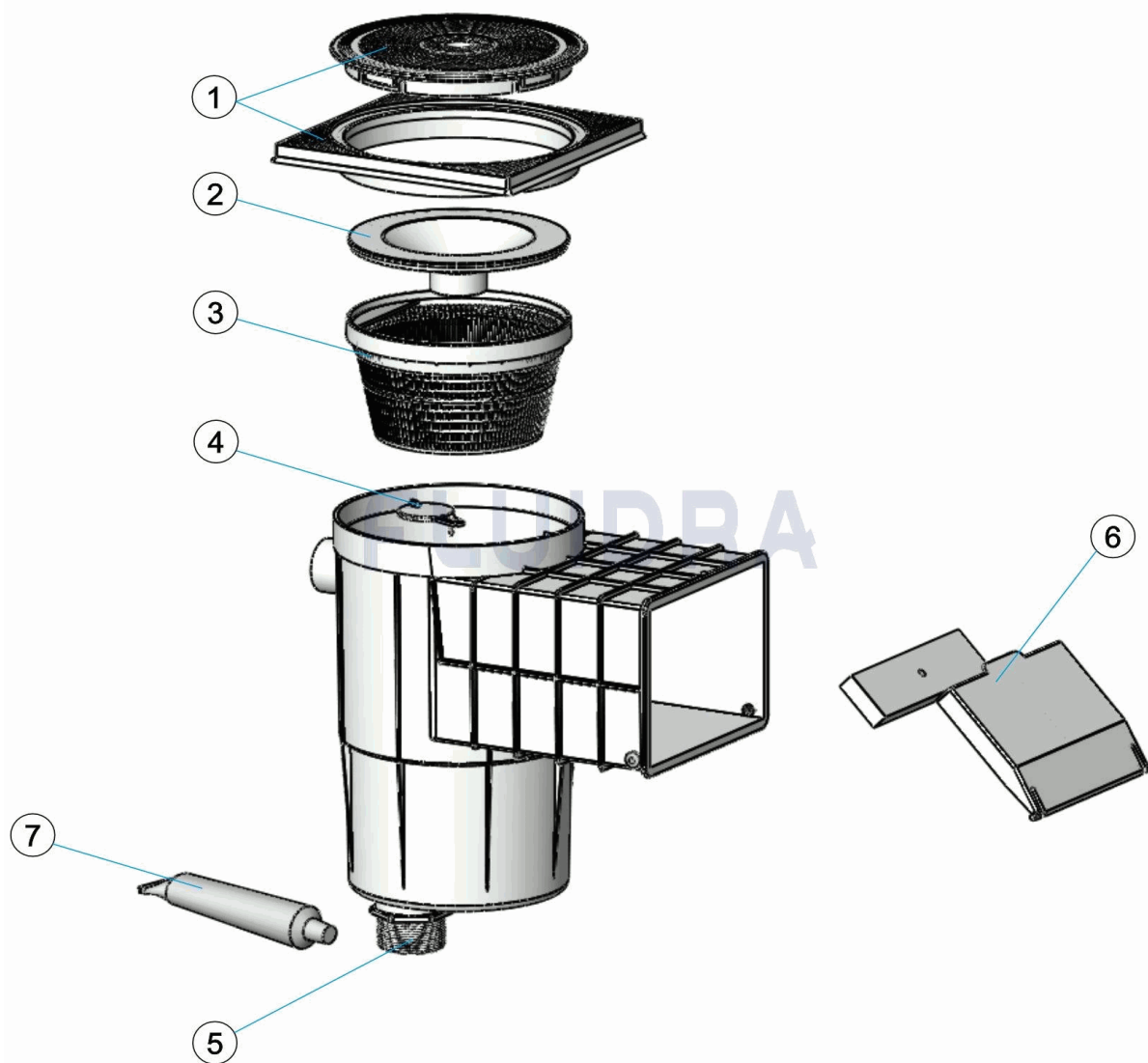
DESCRIPCION: **SKIMMER PISCINA HORMIGON**



ESPAÑOL

POS	CODIGO	DESCRIPCION	CANTIDAD	POS	CODIGO	DESCRIPCION	CANTIDAD
1	SP-02-0042	MARCO CUADRADO Y TAPA		5	SP-02-0049	MACHON SKIMMER ROSCADO	
2	SP-02-0043	TAPA ASPIRACION SKIMMER		6	SP-02-0123	COMPUERTA SKIMMER	
3	SP-02-0050	CESTO SKIMMER		7	30884	ADHESIVO PARA ABS	
4	SP-02-0044	CLAPETA SKIMMER					

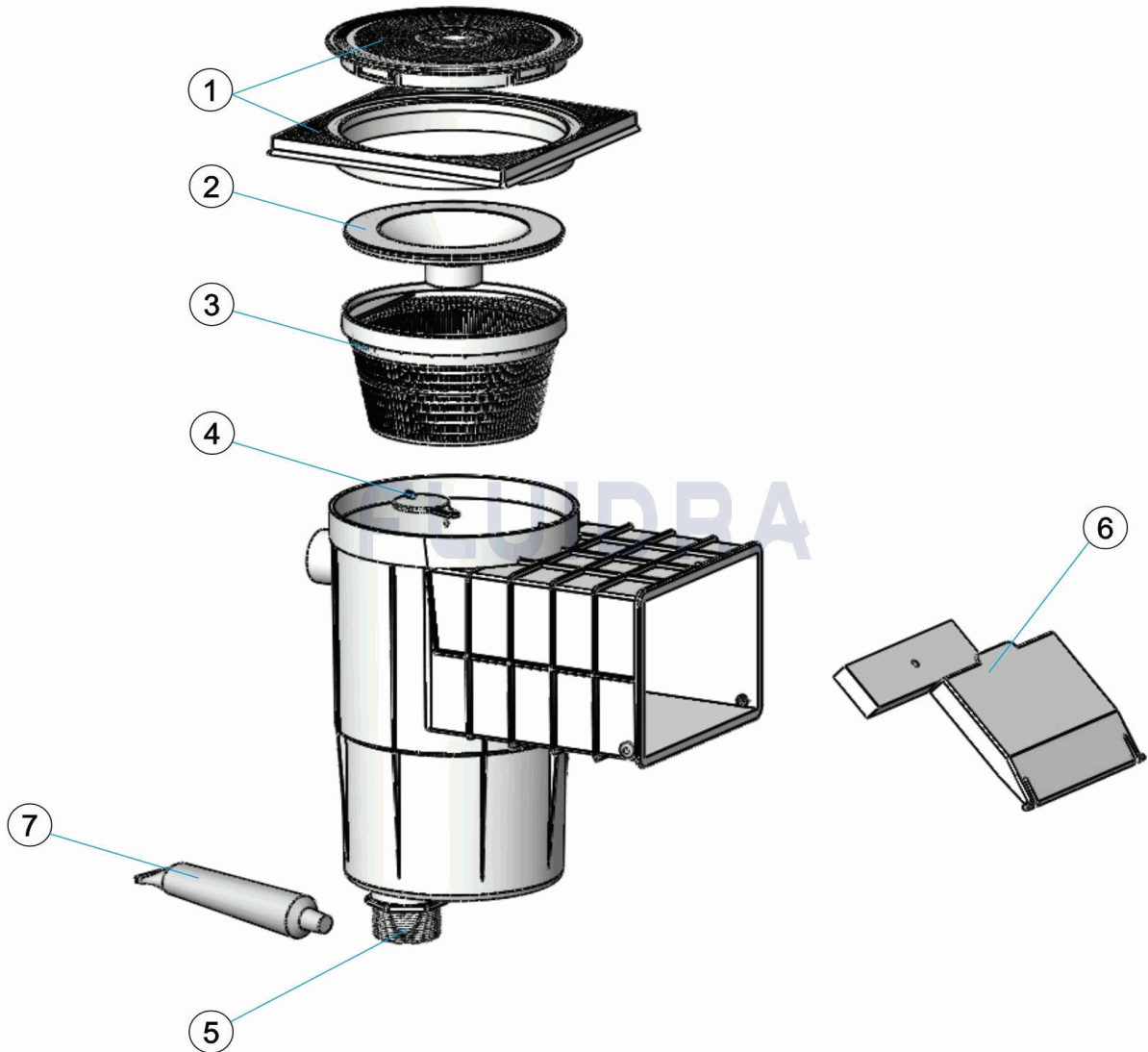
CODE **A-001**

 DESCRIPTION: **SKIMMER PISCINE BÉTON**

FRANCAIS

POS	CODE	DESCRIPTION	QUANTITE	POS	CODE	DESCRIPTION	QUANTITE
1	SP-02-0042	CADRE ET COUVERCLE ROND		5	SP-02-0049	MANCHON	
2	SP-02-0043	COUVERCLE ASPIRATION SKIMMER		6	SP-02-0123	COLET DE SKIMMER	
3	SP-02-0050	PANIER SKIMMER		7	30884	ADHÉSIF POUR ABS	
4	SP-02-0044	CLAPET SKIMMER					

CODE **A-001**

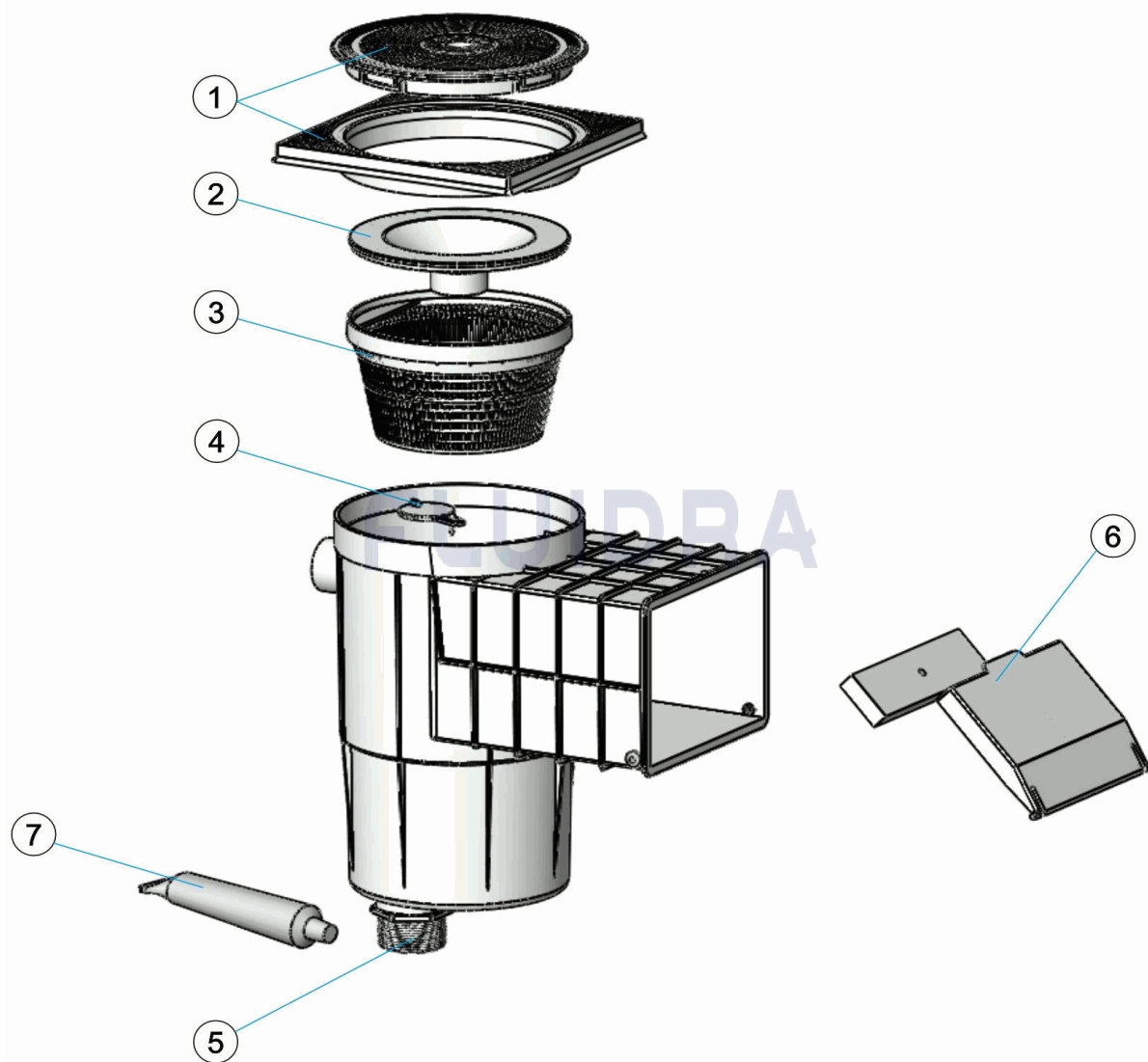
DESCRIPTION: **SKIMMER CONCRETE POOL**



ENGLISH

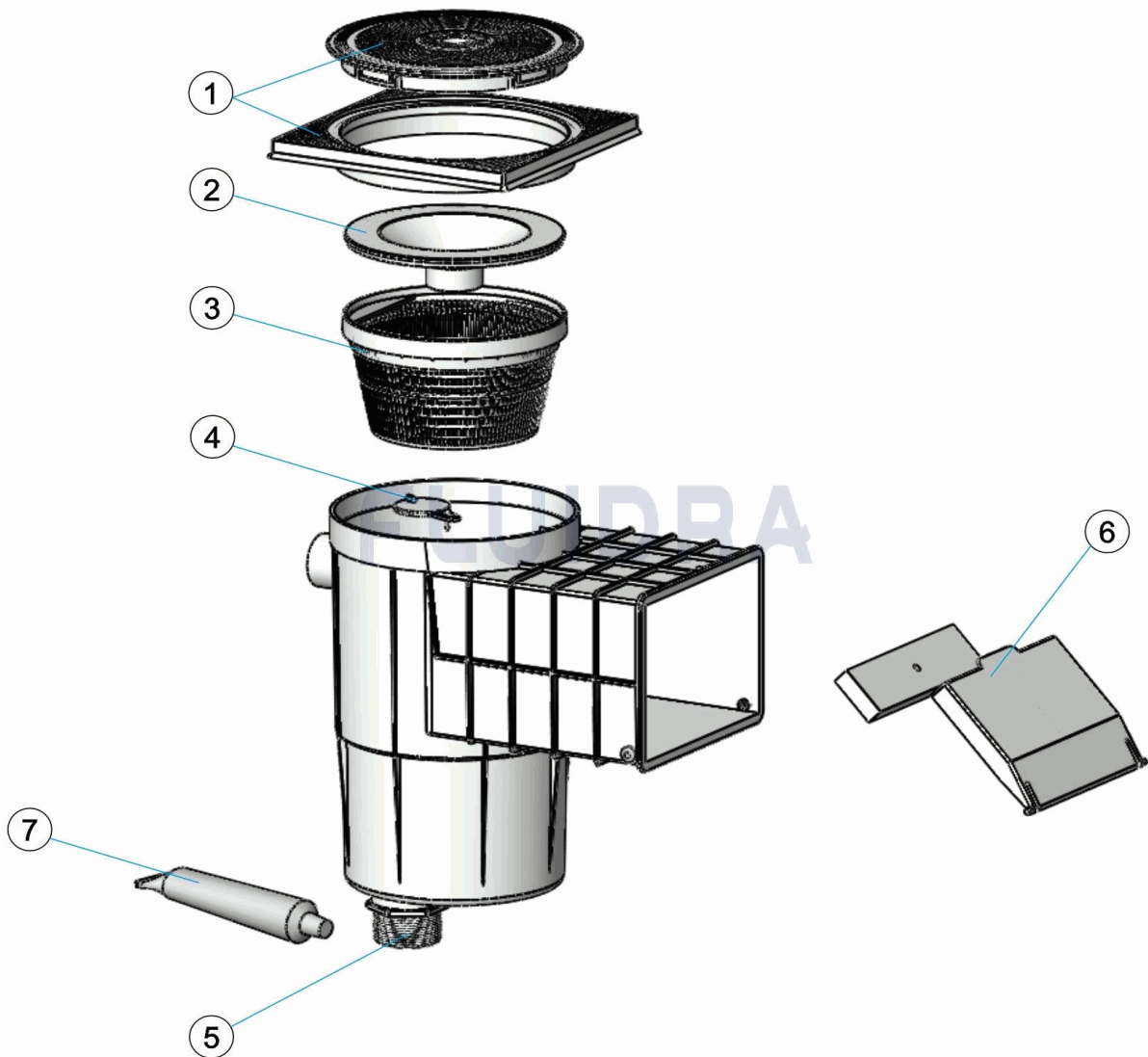
POS	CODE	DESCRIPTION	QUANTITY	POS	CODE	DESCRIPTION	QUANTITY
1	SP-02-0042	SQUARE RIM AND LID		5	SP-02-0049	SPIGOT	
2	SP-02-0043	SKIMMER BASKET FOR ABOVE GROUND		6	SP-02-0123	SKIMMER FLAP	
3	SP-02-0050	SKIMMER BASKET		7	30884	ADHESIVE FOR ABS	
4	SP-02-0044	KEYHOLE FLAP					

CODICE **A-001**

 DESCRIZIONE: **SKIMMER PISCINA CEMENTO**

ITALIANO

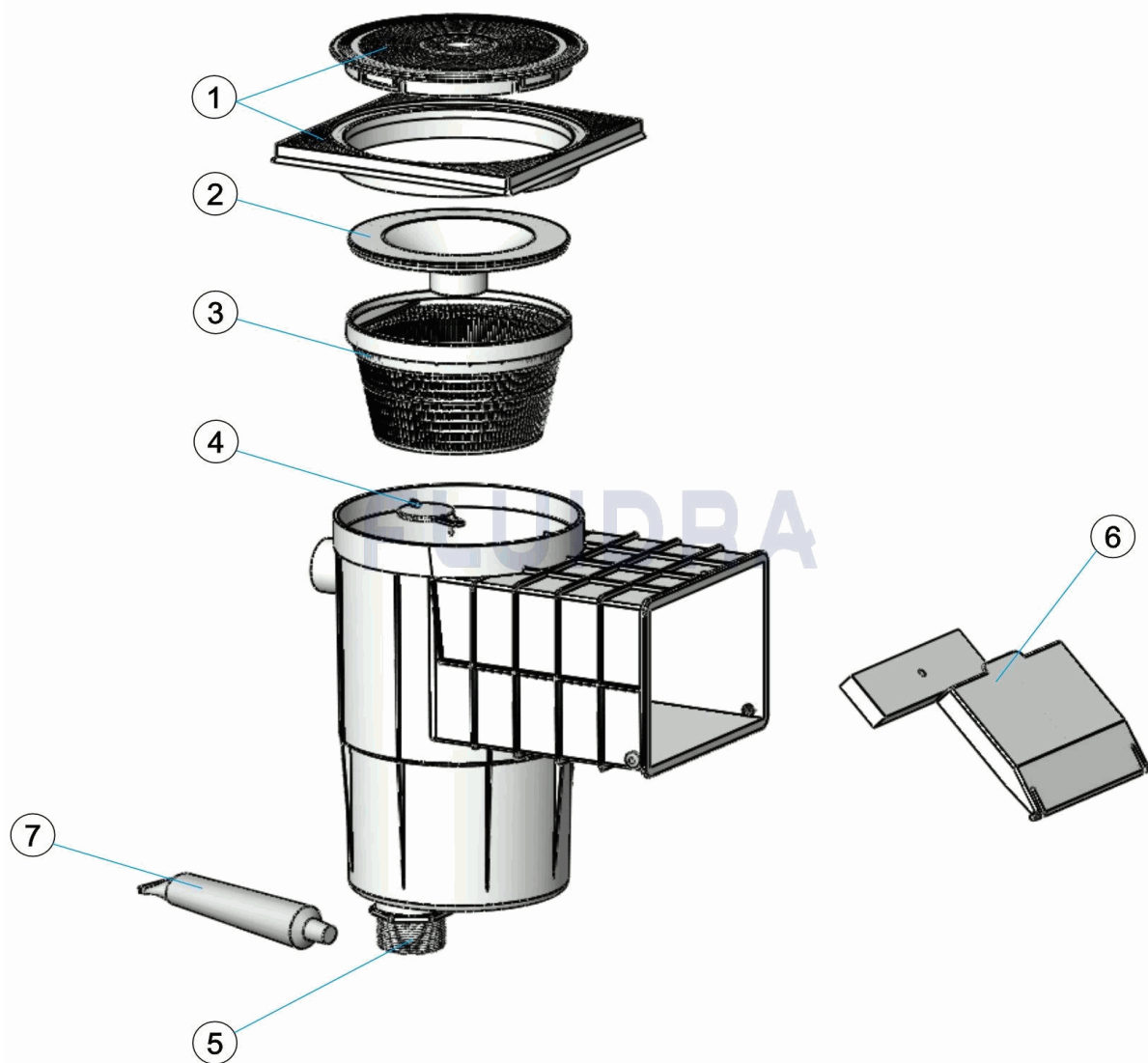
POS	CODICE	DESCRIZIONE	QUANTITA'	POS	CODICE	DESCRIZIONE	QUANTITA'
1	SP-02-0042	FLANGIA QUADRATA E COPERCHIO		5	SP-02-0049	NIPPLO	
2	SP-02-0043	COPERCHIO ASPIRAZIONE SKIMMER		6	SP-02-0123	BATTENTE SKIMMER	
3	SP-02-0050	CESTELLO SKIMMER		7	30884	ADESIVO PER ABS	
4	SP-02-0044	ALETTA PARZIALIZZATRICE SKIMMER					

CODE **A-001**

 BESCHREIBUNG: **SKIMMER BETONBECKEN**

DEUTSCH

POS	CODE	BESCHREIBUNG	MENGE	POS	CODE	BESCHREIBUNG	MENGE
1	SP-02-0042	QUADRATISCHER RAHMEN UND ABDECKL		5	SP-02-0049	SCHRAUBTEIL	
2	SP-02-0043	ABDECKUNG SKIMMER		6	SP-02-0123	SKIMMERKLAPPE	
3	SP-02-0050	SKIMMERKORB		7	30884	AUFKLEBER ABS	
4	SP-02-0044	ABDECKKAPPE					

CODIGO **A-001**

 DESCRIÇÃO: **SKIMMER PISCINA BETÃO**

PORTUGUES

POS	CODIGO	DESCRIÇÃO	JANTIDADE	POS	CODIGO	DESCRIÇÃO	JANTIDADE
1	SP-02-0042	ARO QUADRADO E TAMPA		5	SP-02-0049	MACHO	
2	SP-02-0043	TAMPA ASPIRAÇÃO SKIMMER		6	SP-02-0123	BATTENTE SKIMMER	
3	SP-02-0050	CESTO SKIMMER		7	30884	ADESIVO PARA ABS	
4	SP-02-0044	CLAPETA SKIMMER					