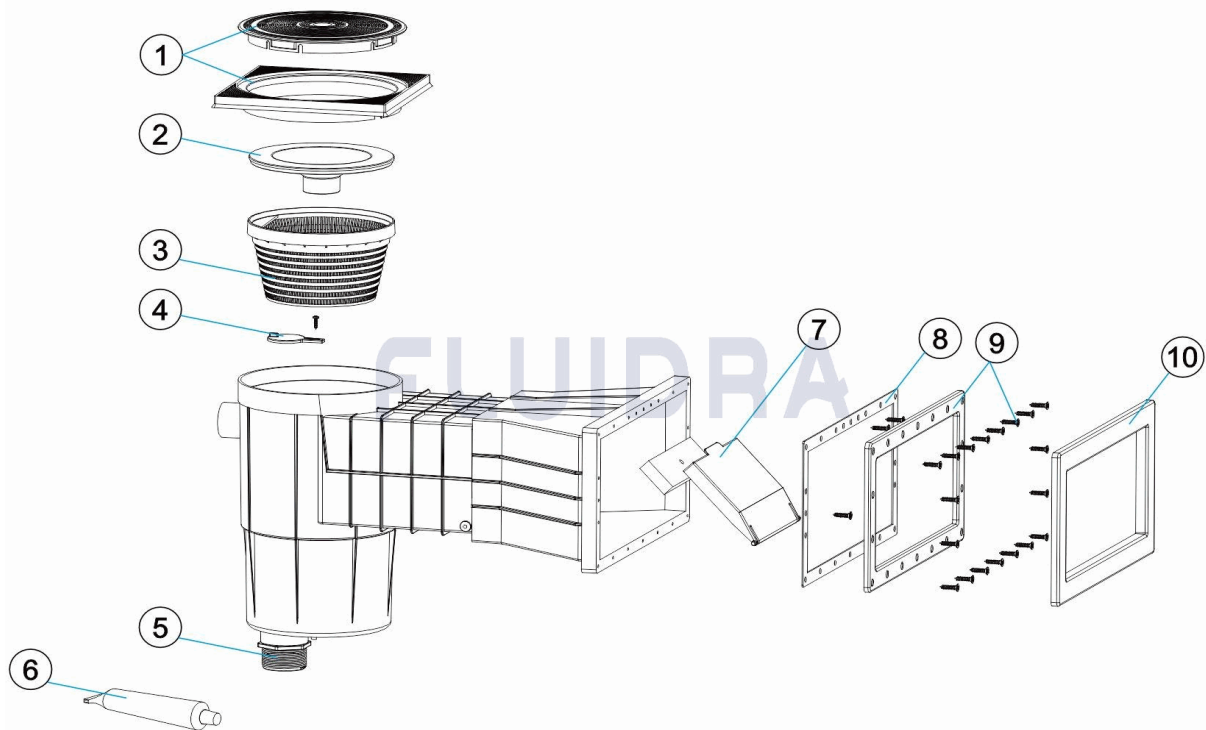
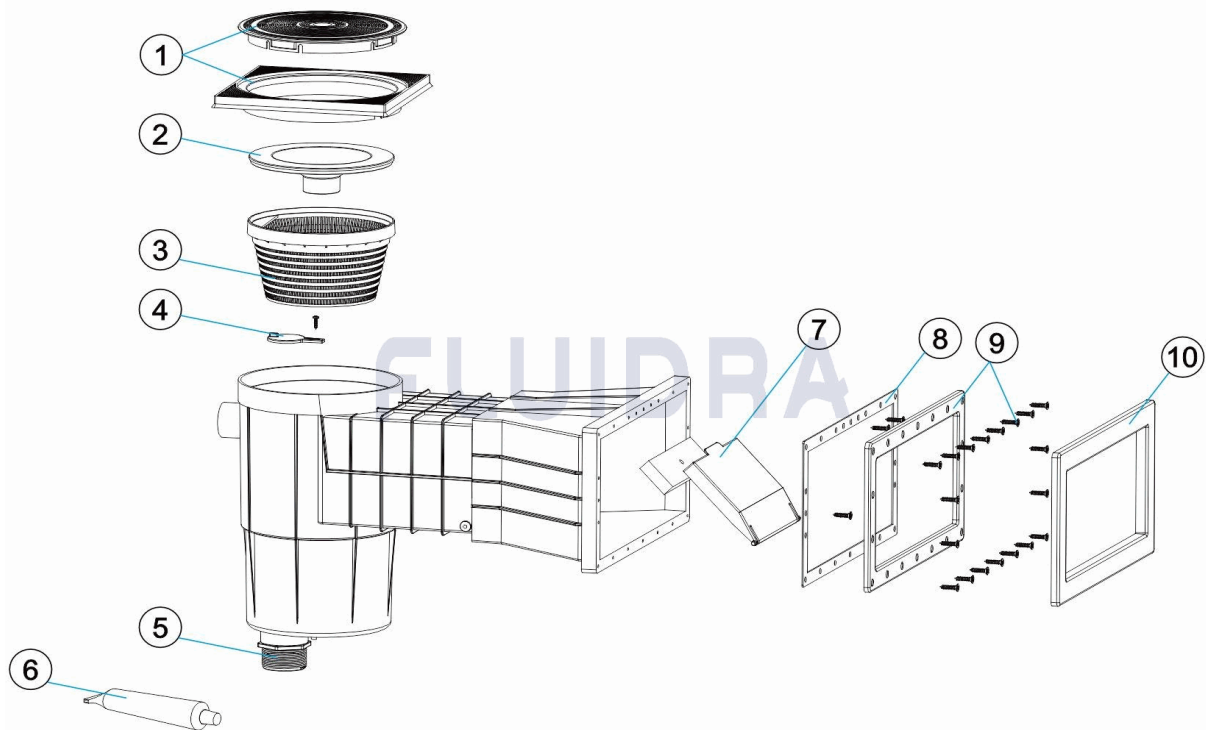


CODIGO **A-004**

 DESCRIPCION: **SKIMMER BOCA CONICA PP**

ESPAÑOL

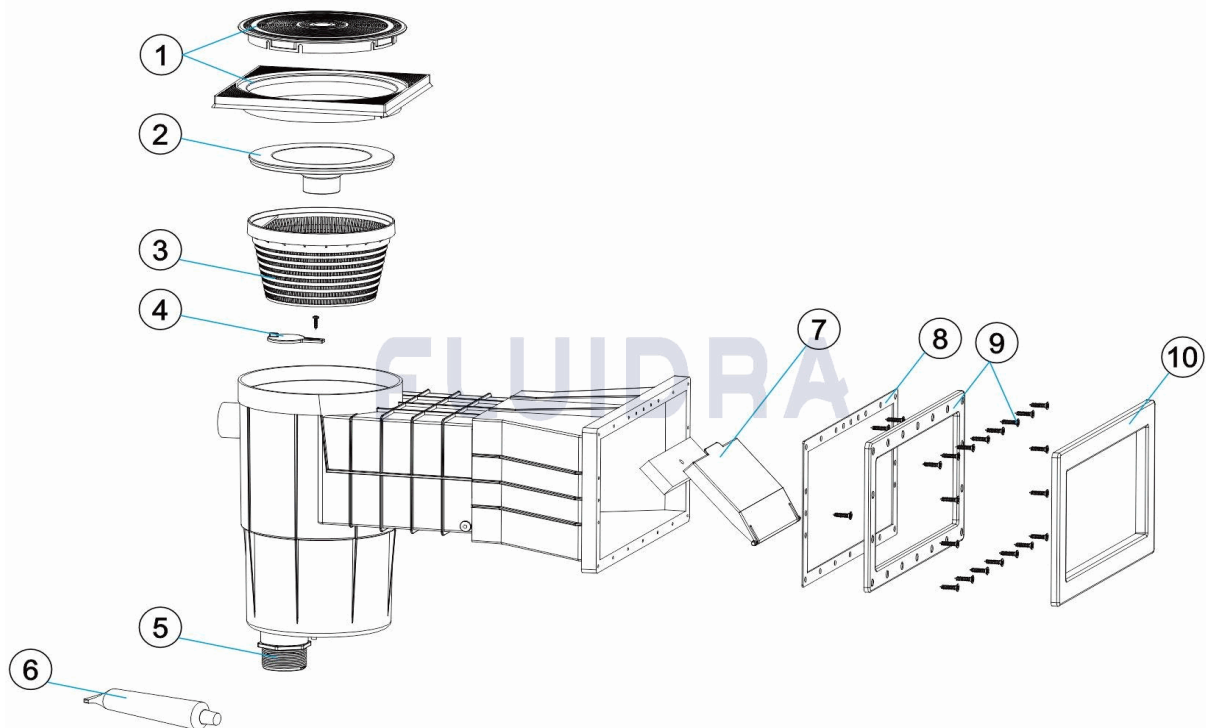
POS	CODIGO	DESCRIPCION	CANTIDAD	POS	CODIGO	DESCRIPCION	CANTIDAD
1	SP-02-0042	MARCO CUADRADO Y TAPA	6	30884	ADHESIVO PARA ABS		
2	SP-02-0043	TAPA ASPIRACION SKIMMER	7	SP-02-0123	COMPUERTA SKIMMER		
3	SP-02-0050	CESTO SKIMMER	8	SP-02-0130	JUNTA ADHESIVA GRANDE		
4	SP-02-0044	CLAPETA SKIMMER	9	SP-02-0131	BRIDA BOCA SKIMMER		
5	SP-02-0049	MACHON SKIMMER ROSCADO	10	SP-02-0047	EMBELLECEDOR SKIMMER		

CODE **A-004**

 DESCRIPTION: **SKIMMER OUVERTURE CONIQUE PP**

FRANCAIS

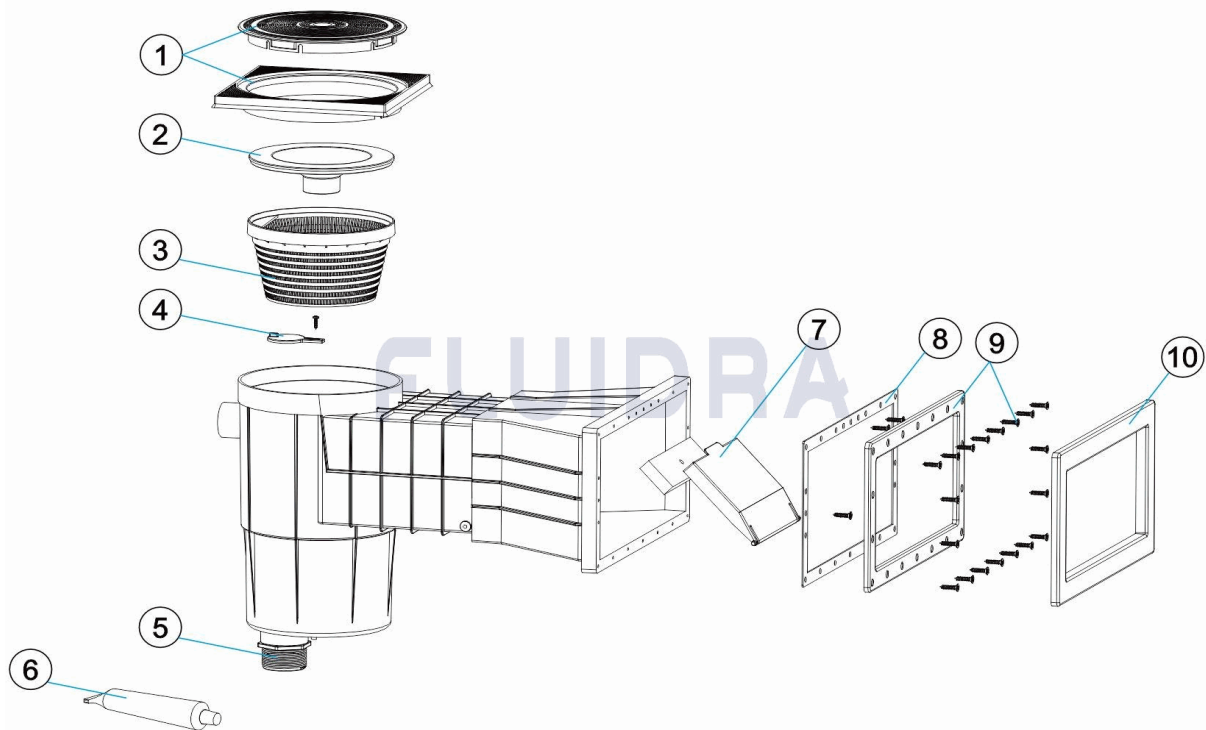
POS	CODE	DESCRIPTION	QUANTITE	POS	CODE	DESCRIPTION	QUANTITE
1	SP-02-0042	CADRE ET COUVERCLE ROND	6	30884	ADHÉSIF POUR ABS		
2	SP-02-0043	COUVERCLE ASPIRATION SKIMMER	7	SP-02-0123	COLET DE SKIMMER		
3	SP-02-0050	PANIER SKIMMER	8	SP-02-0130	JOINT ADHESIF		
4	SP-02-0044	CLAPET SKIMMER	9	SP-02-0131	BRIDE DE BOUCHE SKIMMER		
5	SP-02-0049	MANCHON	10	SP-02-0047	ENJOLIVEUR SKIMMER		

CODE **A-004**

 DESCRIPTION: **SKIMMER CONICAL MOUTH PP**

ENGLISH

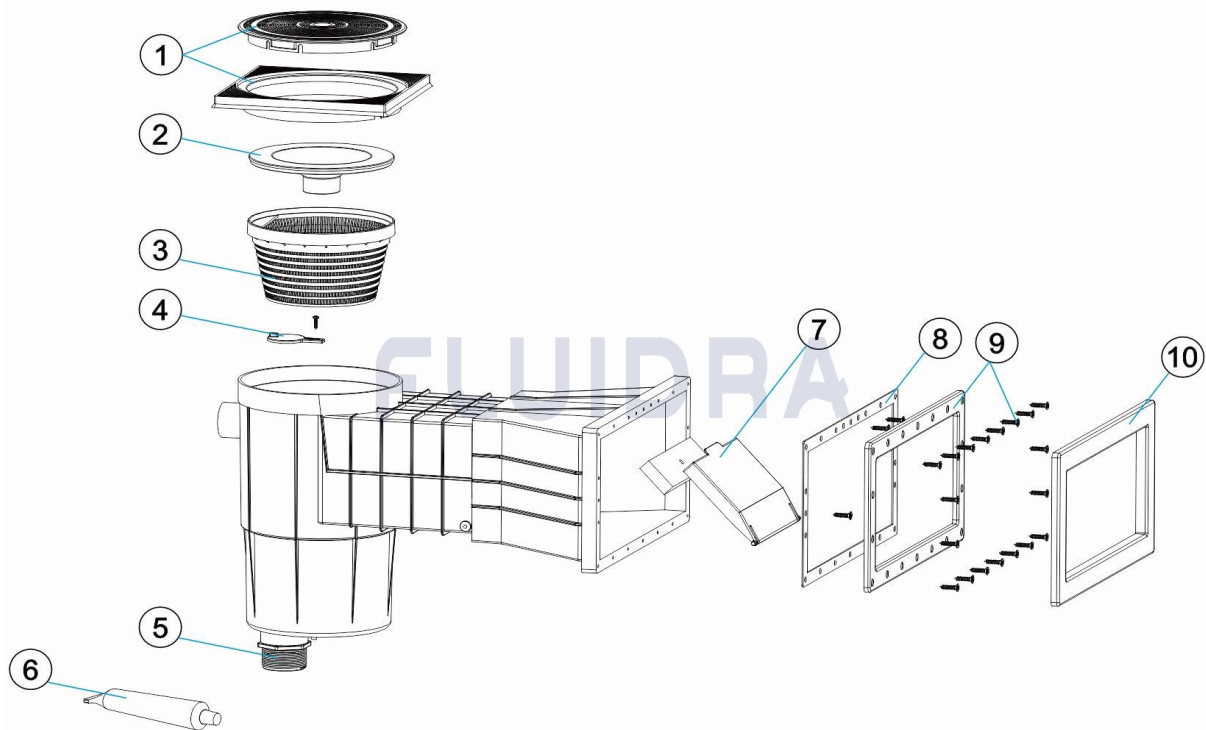
POS	CODE	DESCRIPTION	QUANTITY	POS	CODE	DESCRIPTION	QUANTITY
1	SP-02-0042	SQUARE RIM AND LID		6	30884	ADHESIVE FOR ABS	
2	SP-02-0043	SKIMMER BASKET FOR ABOVE GROUND		7	SP-02-0123	SKIMMER FLAP	
3	SP-02-0050	SKIMMER BASKET		8	SP-02-0130	BIG ADHESIVE GASKET	
4	SP-02-0044	KEYHOLE FLAP		9	SP-02-0131	FLANGE MOUTH WITH SKIMMER	
5	SP-02-0049	SPIGOT		10	SP-02-0047	SKIMMER FACEPLATE	

CODICE **A-004**

 DESCRIZIONE: **SKIMMER IMBOCCATURA CONICA PP**

ITALIANO

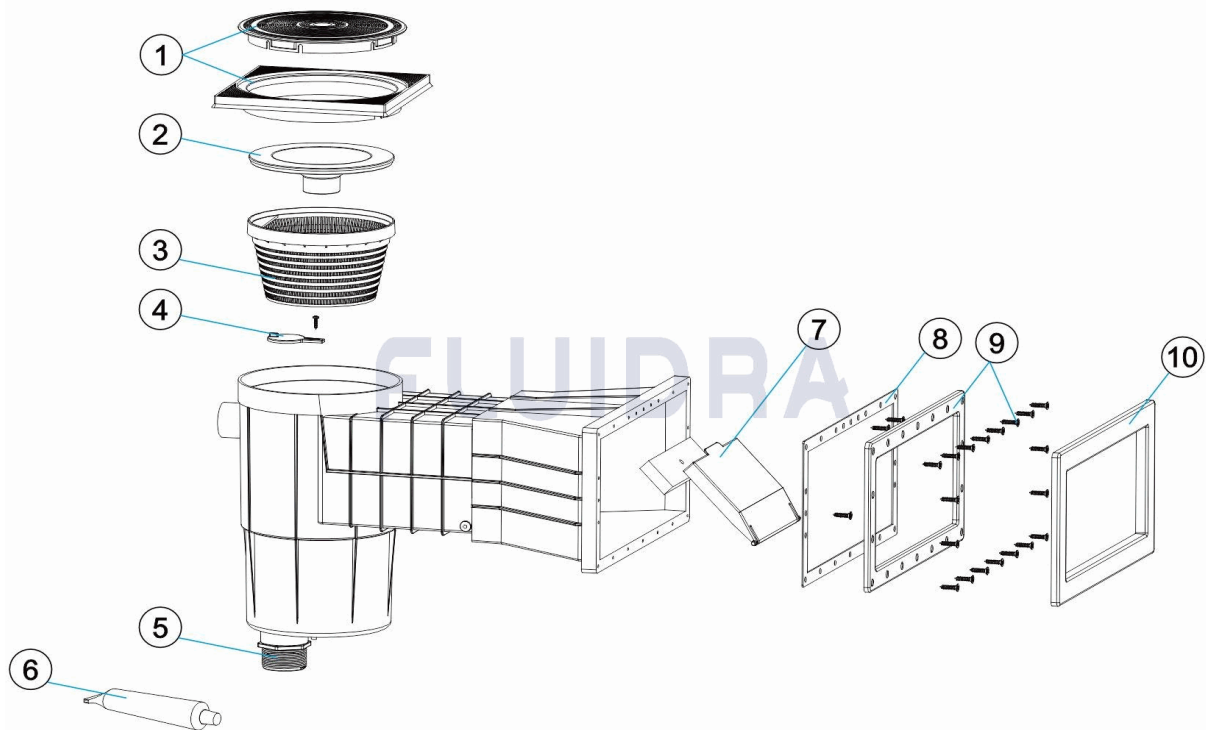
POS	CODICE	DESCRIZIONE	QUANTITA'	POS	CODICE	DESCRIZIONE	QUANTITA'
1	SP-02-0042	FLANGIA QUADRATA E COPERCHIO		6	30884	ADESIVO PER ABS	
2	SP-02-0043	COPERCHIO ASPIRAZIONE SKIMMER		7	SP-02-0123	BATTENTE SKIMMER	
3	SP-02-0050	CESTELLO SKIMMER		8	SP-02-0130	GUARNIZIONE ADESIVA	
4	SP-02-0044	ALETTA PARZIALIZZATRICE SKIMMER		9	SP-02-0131	FLANGIA BOCCHETTASKIMMER	
5	SP-02-0049	NIPPOLO		10	SP-02-0047	ANELLO FRONTALE SKIMMER	

CODE **A-004**

 BESCHREIBUNG: **SKIMMER EINLASS KONISCH PP**

DEUTSCH

POS	CODE	BESCHREIBUNG	MENGE	POS	CODE	BESCHREIBUNG	MENGE
1	SP-02-0042	QUADRATISCHER RAHMEN UND ABDECKL	6	30884		AUFKLEBER ABS	
2	SP-02-0043	ABDECKUNG SKIMMER	7	SP-02-0123		SKIMMERKLAPPE	
3	SP-02-0050	SKIMMERKORB	8	SP-02-0130		DICHTUNG SELBSTKLEBEND GROSS	
4	SP-02-0044	ABDECKKAPPE	9	SP-02-0131		FLANSCH SKIMMEREINLASS	
5	SP-02-0049	SCHRAUBTEIL	10	SP-02-0047		BLENDE SKIMMER	

CODIGO **A-004**

 DESCRIÇÃO: **SKIMMER BOCA CÓNICA LINER PP**

PORTUGUES

POS	CODIGO	DESCRIÇÃO	JANTIDADE	POS	CODIGO	DESCRIÇÃO	JANTIDADE
1	SP-02-0042	ARO QUADRADO E TAMPA	6	30884	ADESIVO PARA ABS		
2	SP-02-0043	TAMPA ASPIRAÇÃO SKIMMER	7	SP-02-0123	BATTENTE SKIMMER		
3	SP-02-0050	CESTO SKIMMER	8	SP-02-0130	JUNTA ADESIVA		
4	SP-02-0044	CLAPETA SKIMMER	9	SP-02-0131	FLANGE BOCA SKIMMER		
5	SP-02-0049	MACHO	10	SP-02-0047	EMBELEZEDOR SKIMMER		