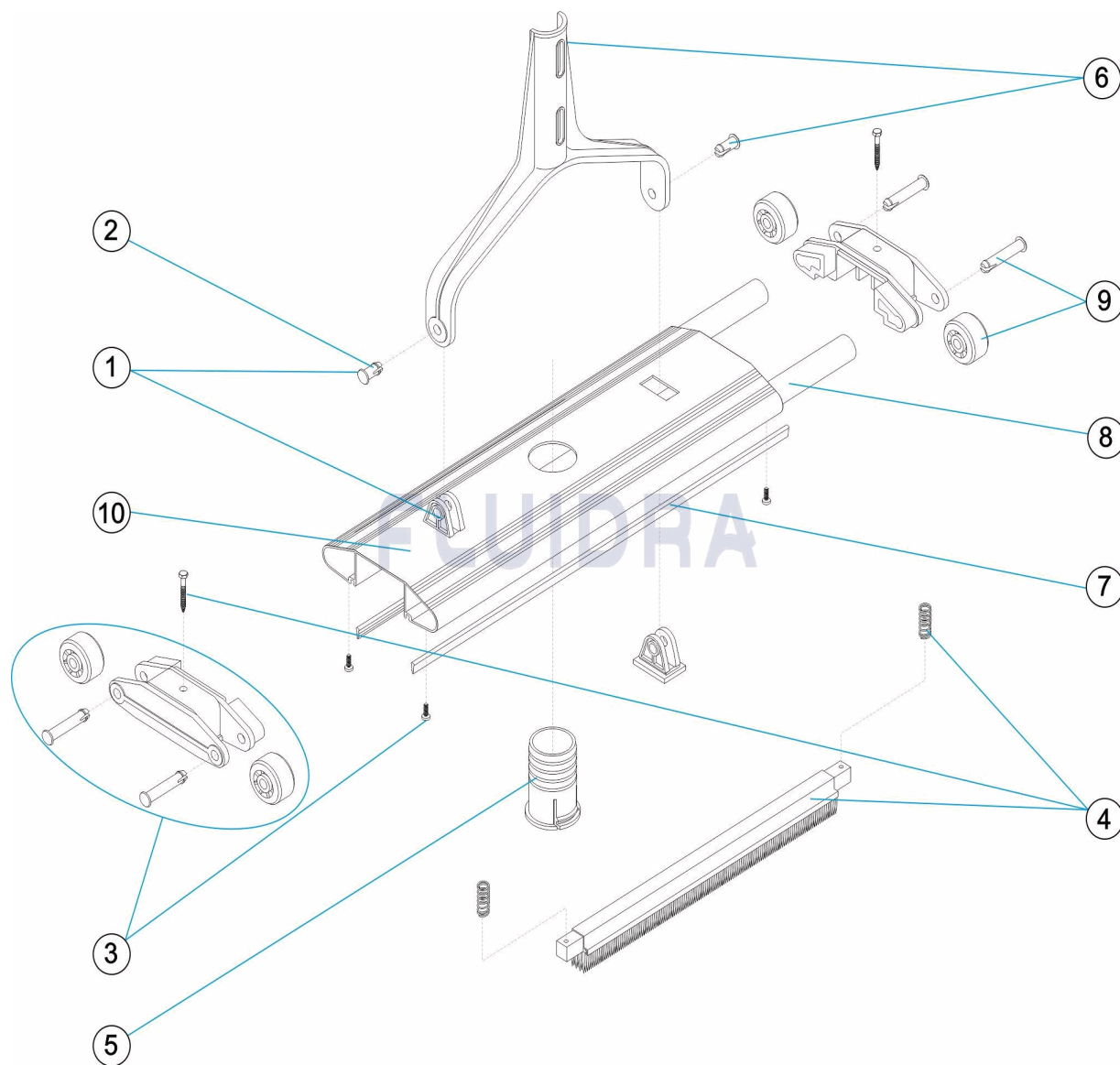


CODIGO **08661**

DESCRIPCION: LIMPIAFONDOS MANUAL 1 1/2" I=450"

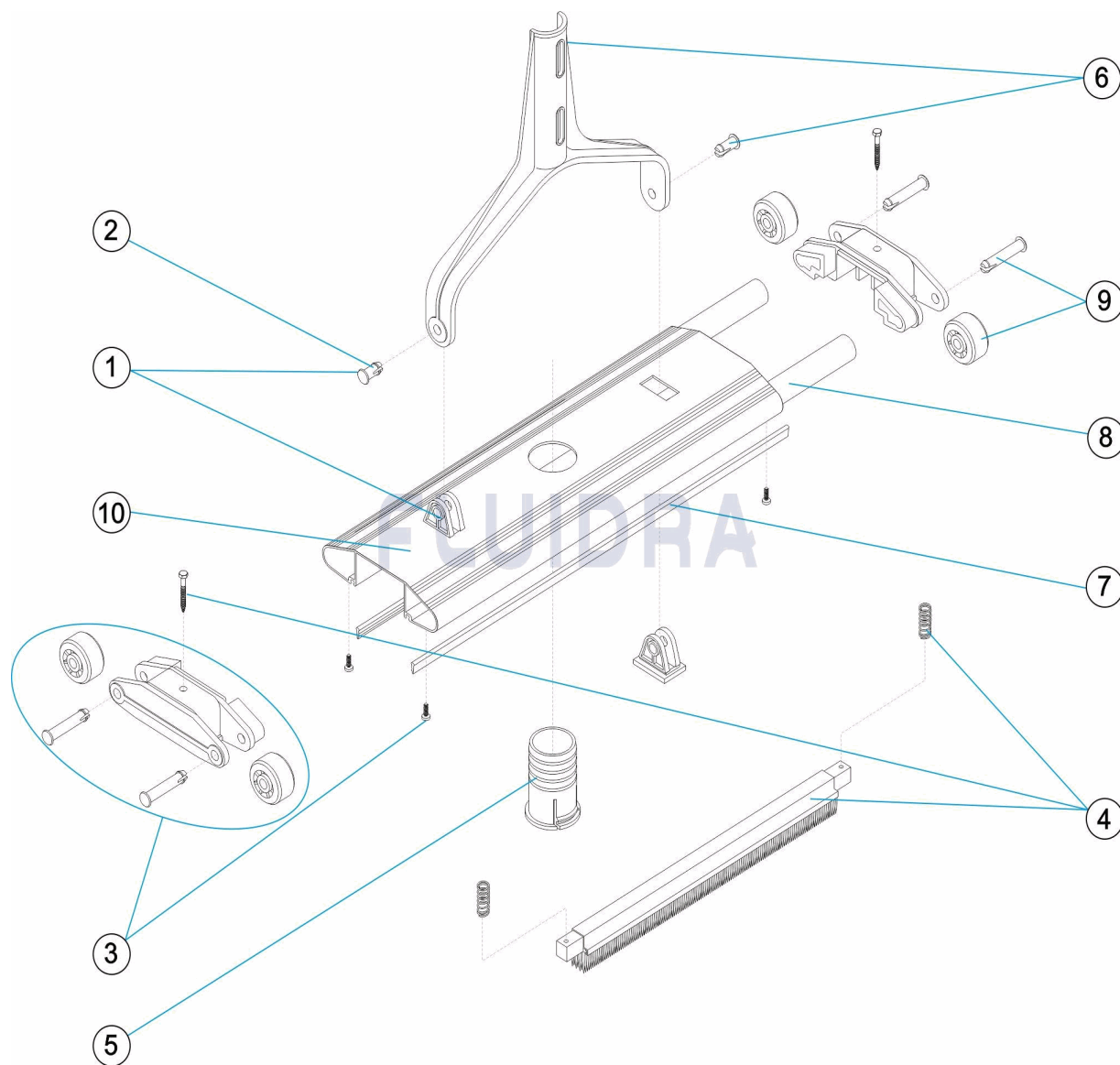


ESPAÑOL

POS	CODIGO	DESCRIPCION	CANTIDAD	POS	CODIGO	DESCRIPCION	CANTIDAD
1	4406020403	PASADORES Y OREJETAS		6	4406020410	HORQUILLA PALOMILLAS	
2	4406020404	PASADORES HORQUILLA		7	4406020412	DEFLECTOR LIMPIAFONDOS 2'	
3	4406020405	TACO LATERAL LIMPIAFONDOS		8	4406020414	PLOMOS LIMPIAFONDOS 2'	
4	4406020407	CEPILLO LIMPIAFONDOS 2'		9	4406020206	RUEDAS LIMPIAFONDOS	
5	4406020408	RACORD LIMPIAFONDOS 1 1/2'		10	01354R0006	CUERPO 1 1/2"	

CODE 08661

DESCRIPTION: NETTOYEUR DE FOND MANUEL 1 1/2" L=450"

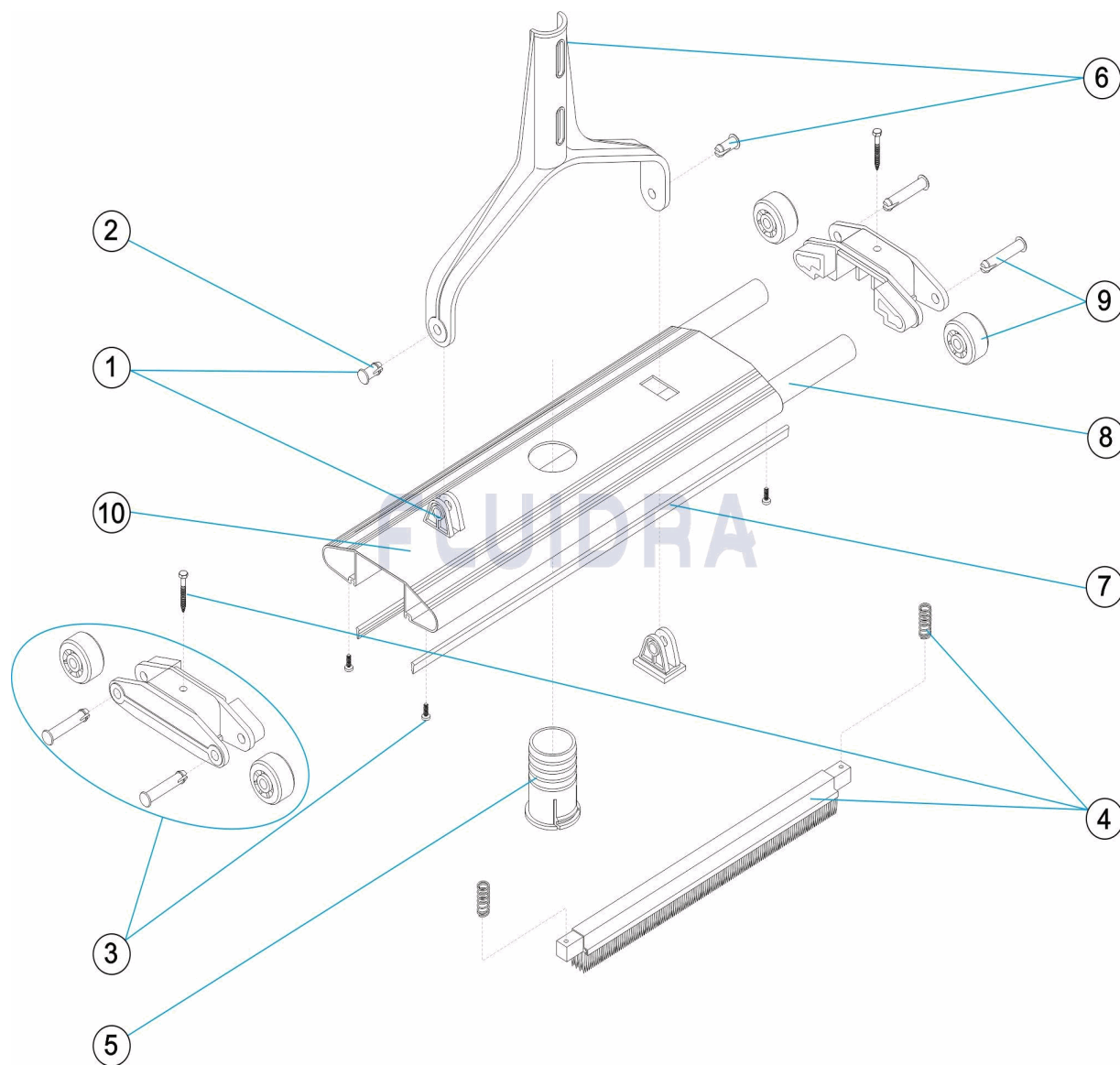


FRANCAIS

POS	CODE	DESCRIPTION	QUANTITE	POS	CODE	DESCRIPTION	QUANTITE
1	4406020403	SUPPORTS ÉTRIER ET AXES		6	4406020410	ÉTRIER POUR PAPILLONS	
2	4406020404	AXES ÉTRIER		7	4406020412	DÉFLECTEUR ASPIRATEUR 2"	
3	4406020405	SUPPORT LATÉRAL ASPIRATEURS		8	4406020414	PLOMB ASPIRATEUR 2"	
4	4406020407	BROSSE ASPIRATEUR 2"		9	4406020206	ROUES ASPIRATEURS	
5	4406020408	RACCORD 1 1/2" ASPIRATEUR		10	01354R0006	CORPS 1 1/2"	

CODE **08661**

DESCRIPTION: **MANUAL POOL CLEANER 1 1/2" I = 450"**

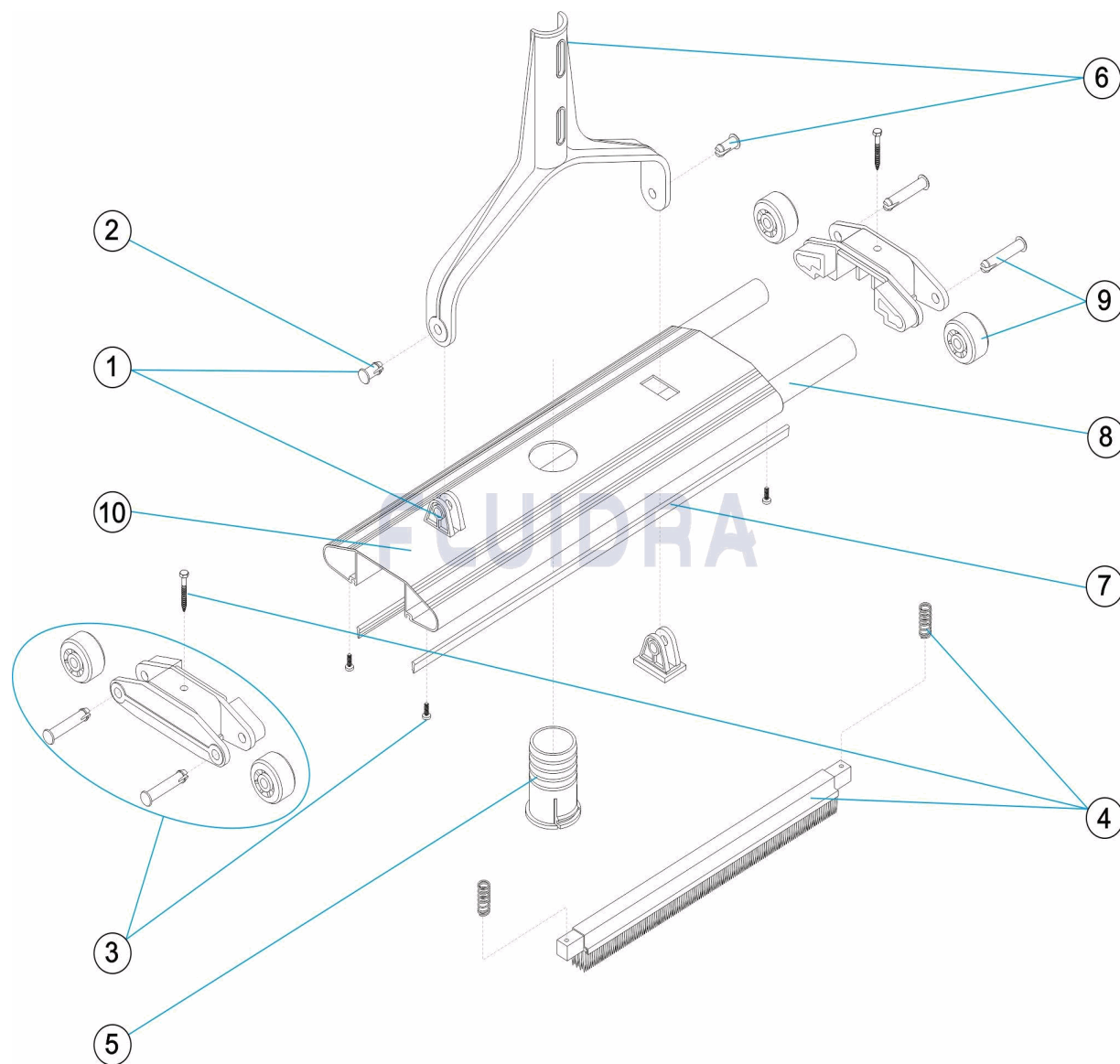


ENGLISH

POS	CODE	DESCRIPTION	QUANTITY	POS	CODE	DESCRIPTION	QUANTITY
1	4406020403	PINS AND LUGS		6	4406020410	HANDLE WITH BUTTERFLY FIXING	
2	4406020404	HITCH PIN		7	4406020412	VAC HEAD DEFLECTOR 1 1/2"	
3	4406020405	VAC HEAD END PIECES		8	4406020414	VAC HEAD WEIGHTS 2"	
4	4406020407	VAC HEAD BRUSH 2"		9	4406020206	VAC HEAD WHEELS	
5	4406020408	VAC HEAD FITTING 1 1/2'		10	01354R0006	BODY 1 1/2"	

CODICE 08661

DESCRIZIONE: PULISCIFONDI MANUALE 1 1/2" I=450"

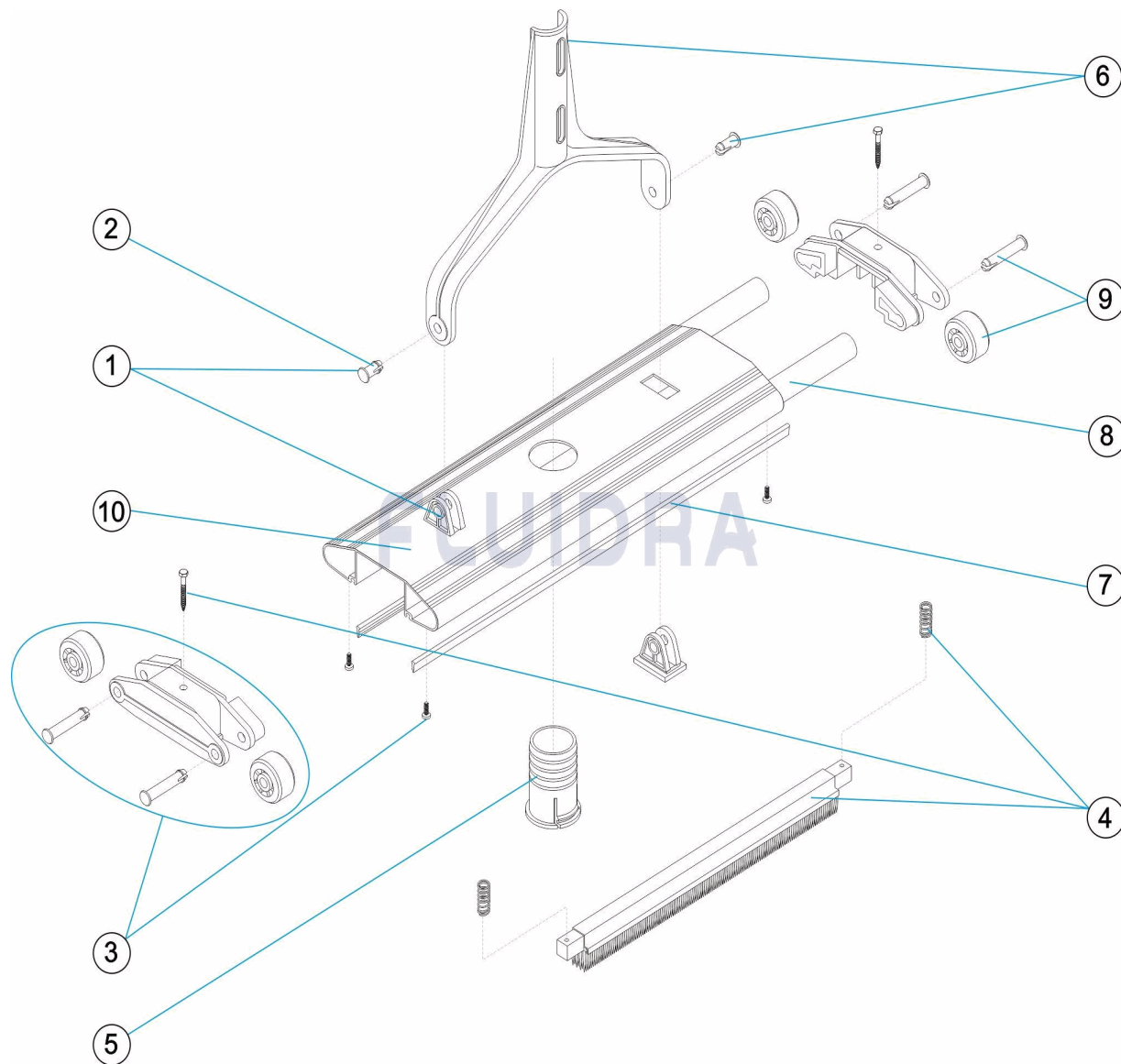


ITALIANO

POS	CODICE	DESCRIZIONE	QUANTITA'	POS	CODICE	DESCRIZIONE	QUANTITA'
1	4406020403	PASSANTI + SUPPORTI		6	4406020410	FORCELLA PER FARFALLA	
2	4406020404	PASSANTI FORCELLA		7	4406020412	DEFLETTORE ASPIRAFANGO 2"	
3	4406020405	TAPPO LATERALE ASPIRAFANGO		8	4406020414	PESI ASPIRAFANGO 2"	
4	4406020407	SPAZZOLA ASPIRAFANGO 2"		9	4406020206	RUOTE ASPIRAFANGO	
5	4406020408	RACCORDO ASPIRAFANGO 1 1/2"		10	01354R0006	CORPO 1 1/2"	

CODE **08661**

BESCHREIBUNG: **MANUELLER BODENREINIGER 1 1/2" I=450"**

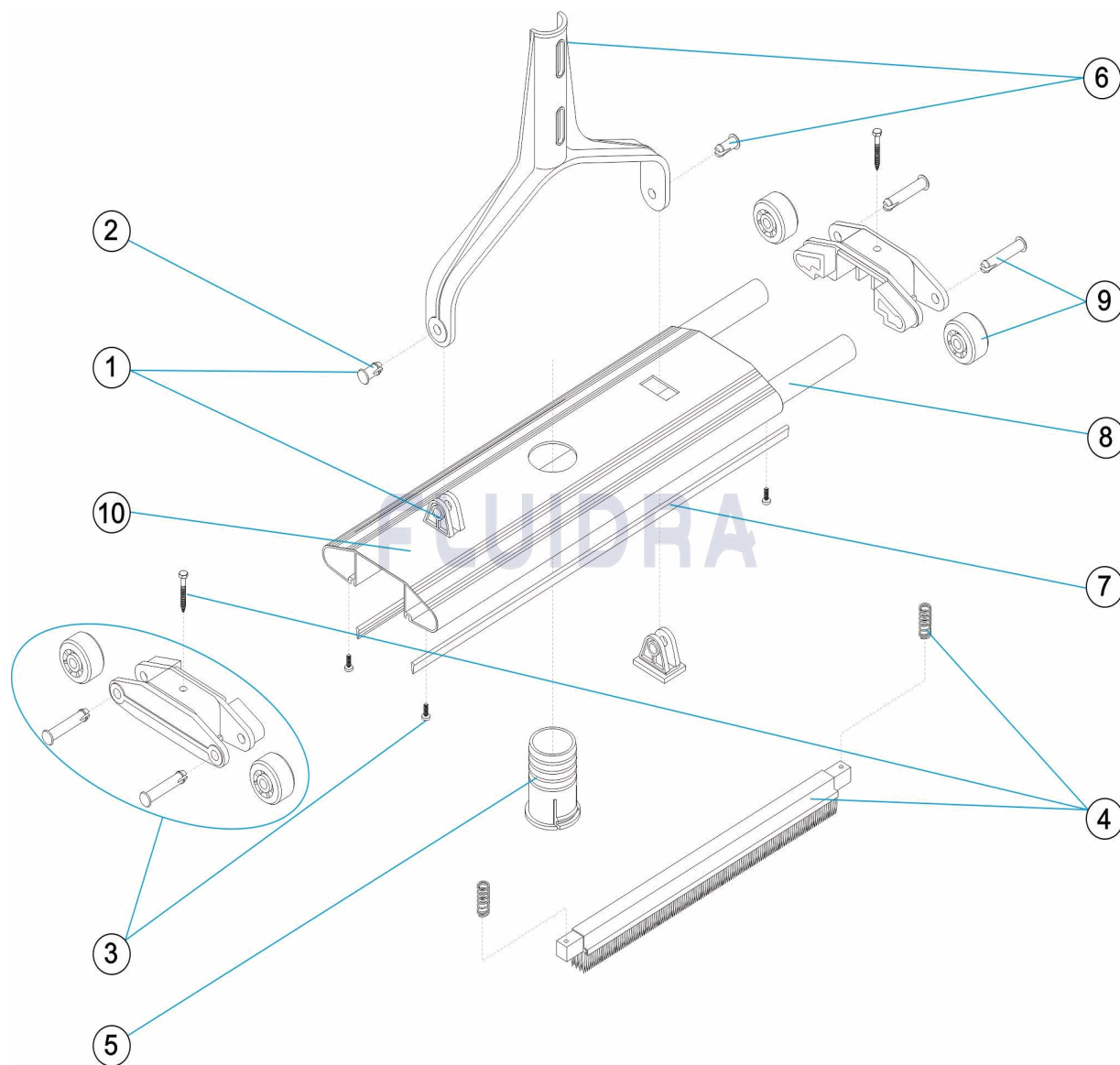


DEUTSCH

POS	CODE	BESCHREIBUNG	MENGE	POS	CODE	BESCHREIBUNG	MENGE
1	4406020403	STIFTE UND LASCHEN		6	4406020410	GABEL FLÜGELMUTTERN	
2	4406020404	STIFTE GABEL		7	4406020412	DEFLEKTOR BODENREINIGER 2'	
3	4406020405	SEITENKEIL BODENREINIGER		8	4406020414	GEWICHTE BODENREINIGER 2'	
4	4406020407	BÜRSTE BODENREINIGER 2'		9	4406020206	RÄDER BODENREINIGER	
5	4406020408	GEWINDESTÜCK BODENREINIGER 1 1/2'		10	01354R0006	GEHÄUSE 1 1/2"	

CODIGO **08661**

DESCRIÇÃO: LIMPADOR DE FUNDOS MANUAL 1 1/2" L = 450"



PORTUGUES

POS	CODIGO	DESCRIÇÃO	JANTIDADE	POS	CODIGO	DESCRIÇÃO	JANTIDADE
1	4406020403	PASSADORES COM OLHAIS		6	4406020410	FORQUILHA LIGAÇÃO PAFUSOS	
2	4406020404	PASSADORES FORQUILHA		7	4406020412	DEFLECTOR ASPIRADOR 2"	
3	4406020405	TACO LATERAL ASPIRADOR		8	4406020414	CHUMBOS ASPIRADOR 2"	
4	4406020407	ESCOVA ASPIRADOR 2"		9	4406020206	RODAS ASPIRADORES	
5	4406020408	RACORD ASPIRADOR 1 1/2"		10	01354R0006	CORPO 1 1/2"	