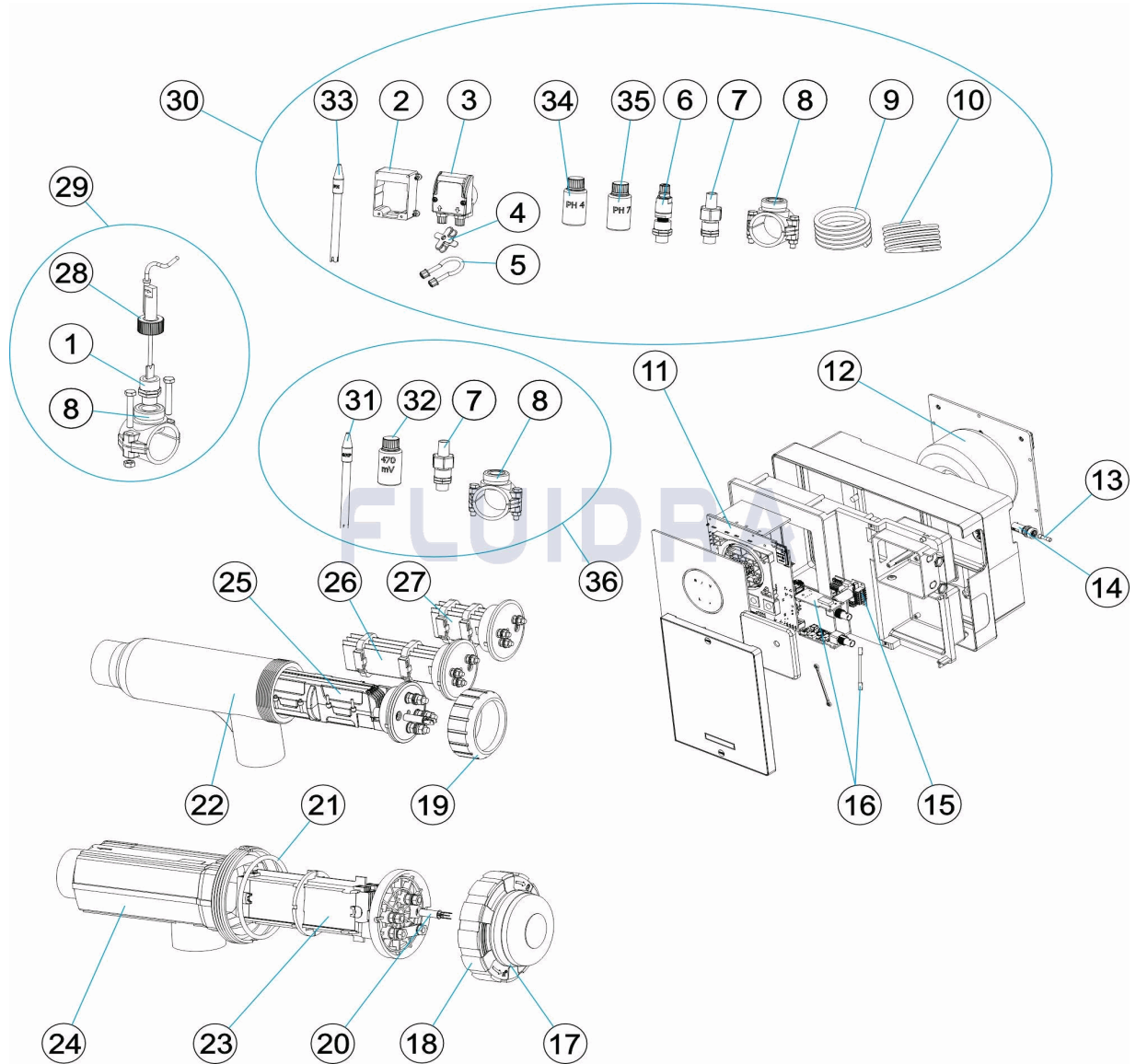


CODIGO 76772, 76773, 76774, 76775, 76776, 76777, 77017, 77018, 77019, 77020

DESCRIPCION: CLEAR CONNECT



ESPAÑOL

POS	CODIGO	DESCRIPCION	CANTIDAD	POS	CODIGO	DESCRIPCION	CANTIDAD
1	4408060059	REDUCCION M-M ¾ ½"		12	* 4408040265	TRANSFORMADOR 110VA	
2	4408040538	SOPORTE BOMBA		12	* 4408040266	TRANSFORMADOR 190VA	
3	4408040537	BOMBA PER 1.8L/H GRISPOMPE PÉR 1,8L/		12	* 4408040267	TRANSFORMADOR 230VA	
4	4408040049	PORTA RODILLOS PH MODELO 2 1,8-2,4		12	* 4408040268	TRANSFORMADOR 340VA	
5	4408060022	TUBO LATEX CON RACORES		12	* 4408040269	TRANSFORMADOR 440VA	
6	4408040068	VALVULA INYECCION PH-MINUS 3/8"		13	* 4408041112	FUSIBLE 1A	
7	4408040474	RACORD PORTASONDAS		13	* 4408041113	FUSIBLE 2A	
8	4408060119	COLLARIN DE CARGA 50		13	* 4408041114	FUSIBLE 3A	
9	4408032905	TUBO ASPIRACION 4X6 PVC L=2M		13	* 4408041204	FUSIBLE 4A	
10	4408032906	TUBO IMPULSION 4X6 PE L=2M		14	4408040523	PORTAFUSIBLE 5X20 CHASIS	
11	* 4408040550	PBA LC2 AP SERIES 7GR		15	4408040540	PBA CONEXIONES LC2	
11	* 4408040549	PBA LC2 AP SERIES 12GR		16	* 4408040539	PBA DRIVERS PH/ORP LC2 SERIES	
11	* 4408040548	PBA LC2 AP SERIES 21GR		17	* 4408040527	PROTECTOR CONTACTOS	

CODIGO 76772, 76773, 76774, 76775, 76776, 76777, 77017, 77018, 77019, 77020

DESCRIPCION: CLEAR CONNECT

11	* 4408040547	PBA LC2 AP SERIES 30GR	18	* 4408040271	ANILLO ROSCADO CELULA
11	* 4408040546	PBA LC2 AP SERIES 40GR	19	* 4408060105	TUERCA D. 92 ELECTRODO SEL + JUNTA
20	4408060158	SENSOR DE TEMPERATURA	28	71124	FLUJOSTATO
21	* 4408040510	JUNTA VASO EPDM.	29	76779	ORP KIT CONNECT
22	* 4408060201	VASO SEL PEQUEÑO PARA BASIC	30	76778	PH KIT CONNECT
23	* R-064	RECAMBIO ELECTRODO DT-30	31	60649	ELECTRODO ORP
23	* R-065	RECAMBIO ELECTRODO DT-40	32	60633	SOLUCION CALIBRACION 470MV.
24	* 57655	CELULA PORTA ELECTRODOS	33	60648	ELECTRODO COMBINADO PH
25	* 77395	REP ELECT LC2 AP 21GR	34	60632	TAMPON PH 4,0 50 ML. (ROJO)
26	* 77394	REP ELECT LC2 AP 12GR	35	60618	TAMPON PH 7,0 50 M/L. (VERDE)
27	* 77393	REP ELECT LC2 AP 7GR	36	76780	FLOW SWITCH CONNECT

CODIGO 76772, 76773, 76774, 76775, 76776, 76777, 77017, 77018, 77019, 77020

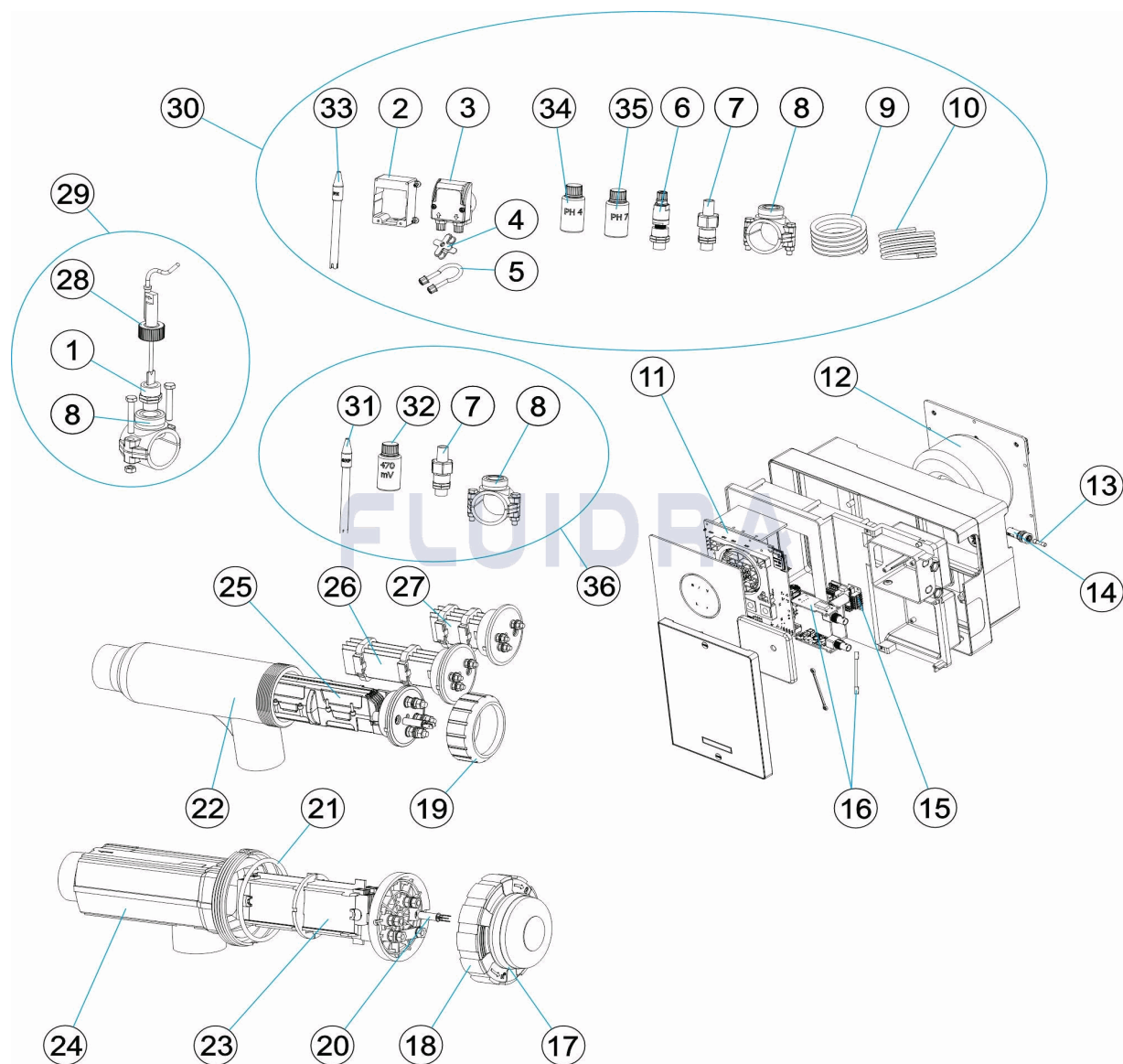
DESCRIPCION: CLEAR CONNECT

OBSERVACIONES

POS	CODIGO	OBSERVACIONES
11	* 4408040550	PARA: 76772, 76775
11	* 4408040549	PARA: 76773, 76776
11	* 4408040548	PARA: 76774, 76777
11	* 4408040547	PARA: 77017, 77019
11	* 4408040546	PARA: 77018, 77020
12	* 4408040265	PARA: 76772, 76775
12	* 4408040266	PARA: 76773, 76776
12	* 4408040267	PARA: 76774, 76777
12	* 4408040268	PARA: 77017, 77019
12	* 4408040269	PARA: 77018, 77020
13	* 4408041112	PARA: 76772, 76775
13	* 4408041113	PARA: 76773, 76774, 76776, 76777
13	* 4408041114	PARA: 77017, 77019
13	* 4408041204	PARA: 77018, 77020
16	* 4408040539	PARA: 76775, 76776, 76777, 77019, 77020
17	* 4408040527	PARA: 77017, 77018, 77019, 77020
18	* 4408040271	PARA: 77017, 77018, 77019, 77020
19	* 4408060105	PARA: 76772, 76773, 76774, 76775, 76776, 76777
21	* 4408040510	PARA: 77017, 77018, 77019, 77020
22	* 4408060201	PARA: 76772, 76773, 76774, 76775, 76776, 76777
23	* R-064	PARA: 77017, 77019
23	* R-065	PARA: 77018, 77020
24	* 57655	PARA: 77017, 77018, 77019, 77020
25	* 77395	PARA: 76774, 76777
26	* 77394	PARA: 76773, 76776
27	* 77393	PARA: 76772, 76775

CODE 76772, 76773, 76774, 76775, 76776, 76777, 77017, 77018, 77019, 77020

DESCRIPTION: CLEAR CONNECT



FRANCAIS

POS	CODE	DESCRIPTION	QUANTITE	POS	CODE	DESCRIPTION	QUANTITE
1	4408060059	REDUCTION MM 3/4 1/2" SONDE SUR COLLIE		12	* 4408040265	TRANSFORMATEUR PUISSANCE 110VA	
2	4408040538	SUPPORT DE POMPE		12	* 4408040266	TRANSFORMATEUR PUISSANCE 190VA	
3	4408040537	POMPE PÉR 1,8L/H GRIS LC2		12	* 4408040267	TRANSFORMATEUR PUISSANCE 230VA	
4	4408040049	GALET POMPE PH MODELE 2 1,8-2,4		12	* 4408040268	TRANSFORMATEUR PUISSANCE 340VA	
5	4408060022	TUYAU EN CAOUTCHOUC		12	* 4408040269	TRANSFORMATEUR PUISSANCE 440VA	
6	4408040068	VANNE INJECTION PH-MINUS 3/8"		13	* 4408041112	FUSIBLE 1A	
7	4408040474	RACCORD PORTE-SONDES		13	* 4408041113	FUSIBLE 2A	
8	4408060119	COLLIER PRISE CHARGE D.50		13	* 4408041114	FUSIBLE 3A	
9	4408032905	TUBE ASPIRATION 4X6 PVC L=2M		13	* 4408041204	FUSIBLE 4A	
10	4408032906	TUBE IMPULSION 4X6 PE L=2M		14	4408040523	PORTE-FUSIBLES 5X20 CHASSIS	
11	* 4408040550	PBA LC2 AP SERIES 7GR		15	4408040540	PBA CONNECTIONS LC2	
11	* 4408040549	PBA LC2 AP SERIES 12GR		16	* 4408040539	PBA DRIVERS PH/ORP LC2 SERIES	
11	* 4408040548	PBA LC2 AP SERIES 21GR		17	* 4408040527	PROTECTEUR CONTACTS	

CODE **76772, 76773, 76774, 76775, 76776, 76777, 77017, 77018, 77019, 77020**

DESCRIPTION: **CLEAR CONNECT**

11	* 4408040547	PBA LC2 AP SERIES 30GR	18	* 4408040271	ANNEAU FILETÉ CELLULE
11	* 4408040546	PBA LC2 AP SERIES 40GR	19	* 4408060105	ECROU D. 92 ELECTRODE SEL + JOINT
20	4408060158	CAPTEUR TEMPÉRATURE	28	71124	CONTROLEUR DE DEBIT
21	* 4408040510	JOINT VASE EPDM	29	76779	ORP KIT CONNECT
22	* 4408060201	VASE SEL POUR BASIC	30	76778	PH KIT CONNECT
23	* R-064	RÉCHANGE ÉLECTRODE DT-30	31	60649	ELECTRODE ORP
23	* R-065	RÉCHANGE ÉLECTRODE DT-40	32	60633	SOLUTION CALIBRAGE 470 MV
24	* 57655	CELLULE PORTE-ÉLECTRODE	33	60648	ELECTRODE COMBINÉE PH
25	* 77395	ELECTRODE LC2 AP 21GR	34	60632	TAMPON PH 4,0 50 ML. (ROUGE)
26	* 77394	ELECTRODE LC2 AP 12GR	35	60618	TAMPON PH 7,0 50 M/L. (VERT)
27	* 77393	ELECTRODE LC2 AP 7GR	36	76780	FLOW SWITCH CONNECT

CODE **76772, 76773, 76774, 76775, 76776, 76777, 77017, 77018, 77019, 77020**

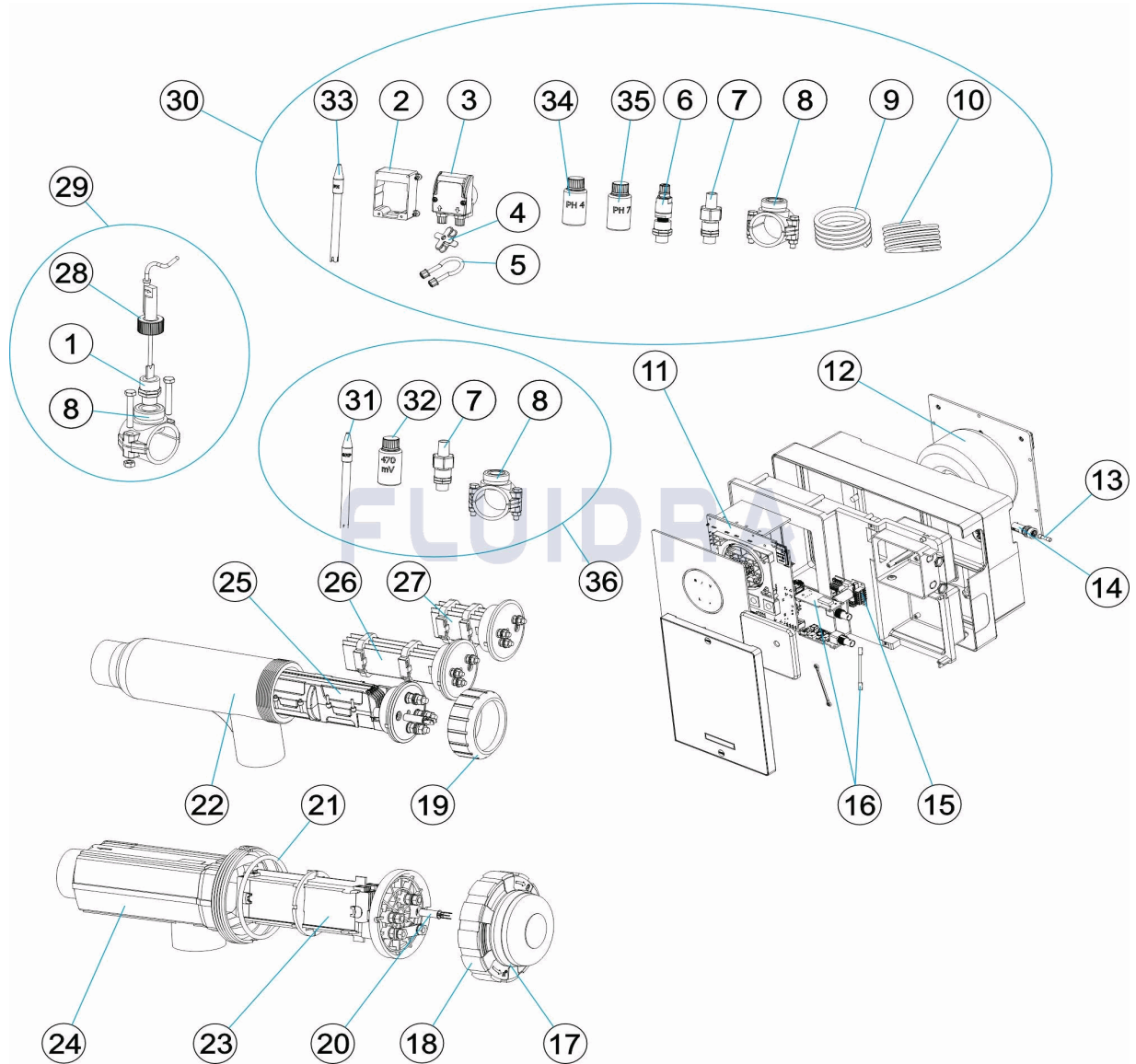
DESCRIPTION: **CLEAR CONNECT**

OBSERVATIONS

POS	CODE	OBSERVATIONS
11	* 4408040550	POUR: 76772, 76775
11	* 4408040549	POUR: 76773, 76776
11	* 4408040548	POUR: 76774, 76777
11	* 4408040547	POUR: 77017, 77019
11	* 4408040546	POUR: 77018, 77020
12	* 4408040265	POUR: 76772, 76775
12	* 4408040266	POUR: 76773, 76776
12	* 4408040267	POUR: 76774, 76777
12	* 4408040268	POUR: 77017, 77019
12	* 4408040269	POUR: 77018, 77020
13	* 4408041112	POUR: 76772, 76775
13	* 4408041113	POUR: 76773, 76774, 76776, 76777
13	* 4408041114	POUR: 77017, 77019
13	* 4408041204	POUR: 77018, 77020
16	* 4408040539	POUR: 76775, 76776, 76777, 77019, 77020
17	* 4408040527	POUR: 77017, 77018, 77019, 77020
18	* 4408040271	POUR: 77017, 77018, 77019, 77020
19	* 4408060105	POUR: 76772, 76773, 76774, 76775, 76776, 76777
21	* 4408040510	POUR: 77017, 77018, 77019, 77020
22	* 4408060201	POUR: 76772, 76773, 76774, 76775, 76776, 76777
23	* R-064	POUR: 77017, 77019
23	* R-065	POUR: 77018, 77020
24	* 57655	POUR: 77017, 77018, 77019, 77020
25	* 77395	POUR: 76774, 76777
26	* 77394	POUR: 76773, 76776
27	* 77393	POUR: 76772, 76775

CODE 76772, 76773, 76774, 76775, 76776, 76777, 77017, 77018, 77019, 77020

DESCRIPTION: CLEAR CONNECT



ENGLISH

POS	CODE	DESCRIPTION	QUANTITY	POS	CODE	DESCRIPTION	QUANTITY
1	4408060059	M-M 3/4" 1/2" REDUCTION SOCKET		12	* 4408040265	POWER TRANSFORMER 110 VA	
2	4408040538	PUMP SUPPORT		12	* 4408040266	POWER TRANSFORMER 190 VA	
3	4408040537	PUMP 1.8L/H GREY LC2		12	* 4408040267	POWER TRANSFORMER 230 VA	
4	4408040049	MODEL 2 1.8-2.4 PH ROLLER HOLDER		12	* 4408040268	POWER TRANSFORMER 340 VA	
5	4408060022	LATEX TUBE		12	* 4408040269	POWER TRANSFORMER 440 VA	
6	4408040068	PH-MINUS INJECTION VALVE 3/8"		13	* 4408041112	FUSE 1A	
7	4408040474	SENSOR HOLDER FITTING		13	* 4408041113	FUSE 2A	
8	4408060119	50 CLAMP SADDLE		13	* 4408041114	FUSE 3A	
9	4408032905	SUCTION TUBE 4X6 PVC L=2M		13	* 4408041204	FUSE 4A	
10	4408032906	RETURN TUBE 4X6 PE L=2M		14	4408040523	FUSE HOLDER 5X20	
11	* 4408040550	PBA LC2 AP SERIES 7GR		15	4408040540	PBA CONNECTIONS LC2 SERIES	
11	* 4408040549	PBA LC2 AP SERIES 12GR		16	* 4408040539	PBA DRIVERS PH/ORP LC2 SERIES	
11	* 4408040548	PBA LC2 AP SERIES 21GR		17	* 4408040527	CONTACT PROTECTION	

CODE **76772, 76773, 76774, 76775, 76776, 76777, 77017, 77018, 77019, 77020**

DESCRIPTION: **CLEAR CONNECT**

11	* 4408040547	PBA LC2 AP SERIES 30GR	18	* 4408040271	CELL THREADED RING
11	* 4408040546	PBA LC2 AP SERIES 40GR	19	* 4408060105	D. 92 ELECTRODE NUT + GASKET
20	4408060158	TEMPERATURE SENSOR	28	71124	WATER FLOW SWITCH
21	* 4408040510	CELL EPDM GASKET	29	76779	ORP KIT CONNECT
22	* 4408060201	BASIC SEL CLASS	30	76778	PH KIT CONNECT
23	* R-064	DT-30 ELECTRODE SPARE	31	60649	ORP ELECTRODE
23	* R-065	DT-40 ELECTRODE SPARE	32	60633	CALIBRATION SOLUTION ORP 470 MV
24	* 57655	ELECTRODE CELL	33	60648	ELECTRODE PH
25	* 77395	ELECTRODE SET LC2 AP 21GR	34	60632	CALIBRATION SOLUTION PH 4,0 50 ML. (RE
26	* 77394	ELECTRODE SET LC2 AP 12GR	35	60618	CALIBRATION SOLUTION PH 7,0 50 M/L. (Gf
27	* 77393	ELECTRODE SET LC2 AP 7GR	36	76780	FLOW SWITCH CONNECT

CODE **76772, 76773, 76774, 76775, 76776, 76777, 77017, 77018, 77019, 77020**

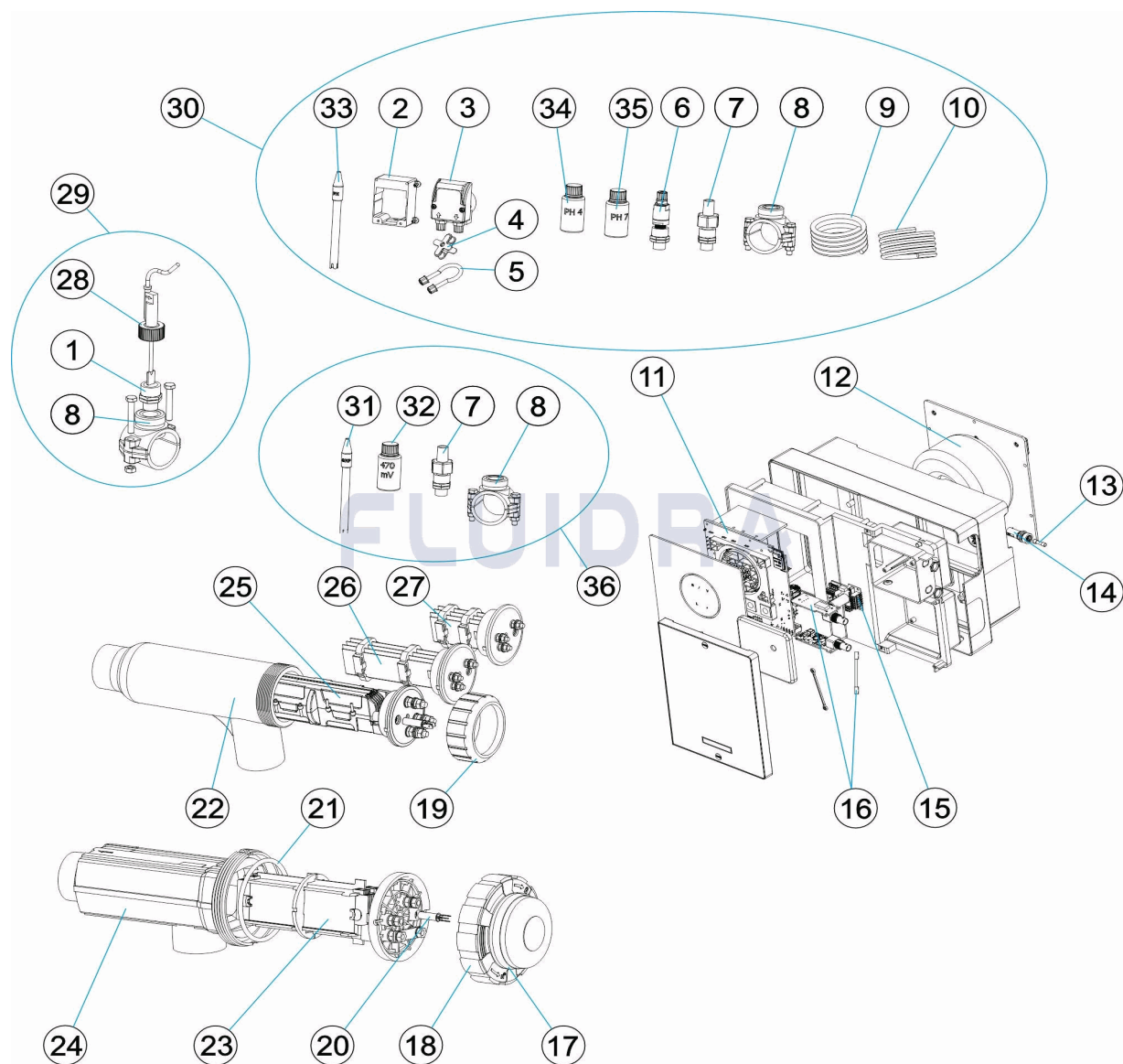
DESCRIPTION: **CLEAR CONNECT**

OBSERVATIONS

POS	CODE	OBSERVATIONS
11	* 4408040550	FOR: 76772, 76775
11	* 4408040549	FOR: 76773, 76776
11	* 4408040548	FOR: 76774, 76777
11	* 4408040547	FOR: 77017, 77019
11	* 4408040546	FOR: 77018, 77020
12	* 4408040265	FOR: 76772, 76775
12	* 4408040266	FOR: 76773, 76776
12	* 4408040267	FOR: 76774, 76777
12	* 4408040268	FOR: 77017, 77019
12	* 4408040269	FOR: 77018, 77020
13	* 4408041112	FOR: 76772, 76775
13	* 4408041113	FOR: 76773, 76774, 76776, 76777
13	* 4408041114	FOR: 77017, 77019
13	* 4408041204	FOR: 77018, 77020
16	* 4408040539	FOR: 76775, 76776, 76777, 77019, 77020
17	* 4408040527	FOR: 77017, 77018, 77019, 77020
18	* 4408040271	FOR: 77017, 77018, 77019, 77020
19	* 4408060105	FOR: 76772, 76773, 76774, 76775, 76776, 76777
21	* 4408040510	FOR: 77017, 77018, 77019, 77020
22	* 4408060201	FOR: 76772, 76773, 76774, 76775, 76776, 76777
23	* R-064	FOR: 77017, 77019
23	* R-065	FOR: 77018, 77020
24	* 57655	FOR: 77017, 77018, 77019, 77020
25	* 77395	FOR: 76774, 76777
26	* 77394	FOR: 76773, 76776
27	* 77393	FOR: 76772, 76775

CODICE 76772, 76773, 76774, 76775, 76776, 76777, 77017, 77018, 77019, 77020

DESCRIZIONE: CLEAR CONNECT



ITALIANO

POS	CODICE	DESCRIZIONE	QUANTITA'	POS	CODICE	DESCRIZIONE	QUANTITA'
1	4408060059	RIDUZIONE M-M 3/4 1/2"		12	* 4408040265	TRANSFORMATORE POTENZA 110 VA	
2	4408040538	SUPPORTO POMPA		12	* 4408040266	TRANSFORMATORE POTENZA 190 VA	
3	4408040537	POMPA PER 1,8 L/H GRIGIA LC2		12	* 4408040267	TRANSFORMATORE POTENZA 230 VA	
4	4408040049	PORTA RULLI PH MODELLO 2 1,8-2,4		12	* 4408040268	TRANSFORMATORE POTENZA 340 VA	
5	4408060022	TUBO IN LATEX		12	* 4408040269	TRANSFORMATORE POTENZA 440 VA	
6	4408040068	VALVOLA INIEZIONE PH-MINUS 3/8"		13	* 4408041112	FUSIVILE 1A	
7	4408040474	RACCORDO PORTA-SONDE		13	* 4408041113	FUSIVILE 2A	
8	4408060119	COLLARE D. 50		13	* 4408041114	FUSIVILE 3A	
9	4408032905	TUBO DI ASPIRAZIONE 4X6 PVC L=2M		13	* 4408041204	FUSIVILE 4A	
10	4408032906	TUBO DI MANDATA 4X6 PE L=2M		14	4408040523	PORTAFUSIBILI 5X20 CORPO	
11	* 4408040550	PBA LC2 AP SERIES 7GR		15	4408040540	CONNESSIONI PBA LC2	
11	* 4408040549	PBA LC2 AP SERIES 12GR		16	* 4408040539	PBA DRIVERS PH/ORP LC2 SERIES	
11	* 4408040548	PBA LC2 AP SERIES 21GR		17	* 4408040527	PROTECTORE CONTATTI	

* SI FACCIA RIFERIMENTO AL FOGLIO DELLE OSSERVAZIONI

CODICE **76772, 76773, 76774, 76775, 76776, 76777, 77017, 77018, 77019, 77020**

DESCRIZIONE: **CLEAR CONNECT**

11	* 4408040547	PBA LC2 AP SERIES 30GR	18	* 4408040271	ANELLO FILETTATO CELLA
11	* 4408040546	PBA LC2 AP SERIES 40GR	19	* 4408060105	GHIERA D.92 ELETTRODO + GUARNIZIONE
20	4408060158	SENSORE DI TEMPERATURA	28	71124	FLUSSOSTATO
21	* 4408040510	GUARNIZIONE COPERCHIO CELLA	29	76779	ORP KIT CONNECT
22	* 4408060201	PORTAELETTODI SEL	30	76778	PH KIT CONNECT
23	* R-064	RECAMBIO ELETTRODO DT-30	31	60649	ELETTRODO RX
23	* R-065	RECAMBIO ELETTRODO DT-40	32	60633	SOLUCIONE CALIBRACIONE 470MV.
24	* 57655	CELLA PORTAELETTRODI	33	60648	ELETTRODO COMBINATO PH
25	* 77395	SET ELETTRODI LC2 AP 21GR	34	60632	SOLUCIONE TAMPONE PH 4,0 50 ML. (ROS:
26	* 77394	SET ELETTRODI LC2 AP 12GR	35	60618	SOLUCIONE TAMPONE PH 7,0 50 M/L. (VER
27	* 77393	SET ELETTRODI LC2 AP 7GR	36	76780	FLOW SWITCH CONNECT

CODICE **76772, 76773, 76774, 76775, 76776, 76777, 77017, 77018, 77019, 77020**

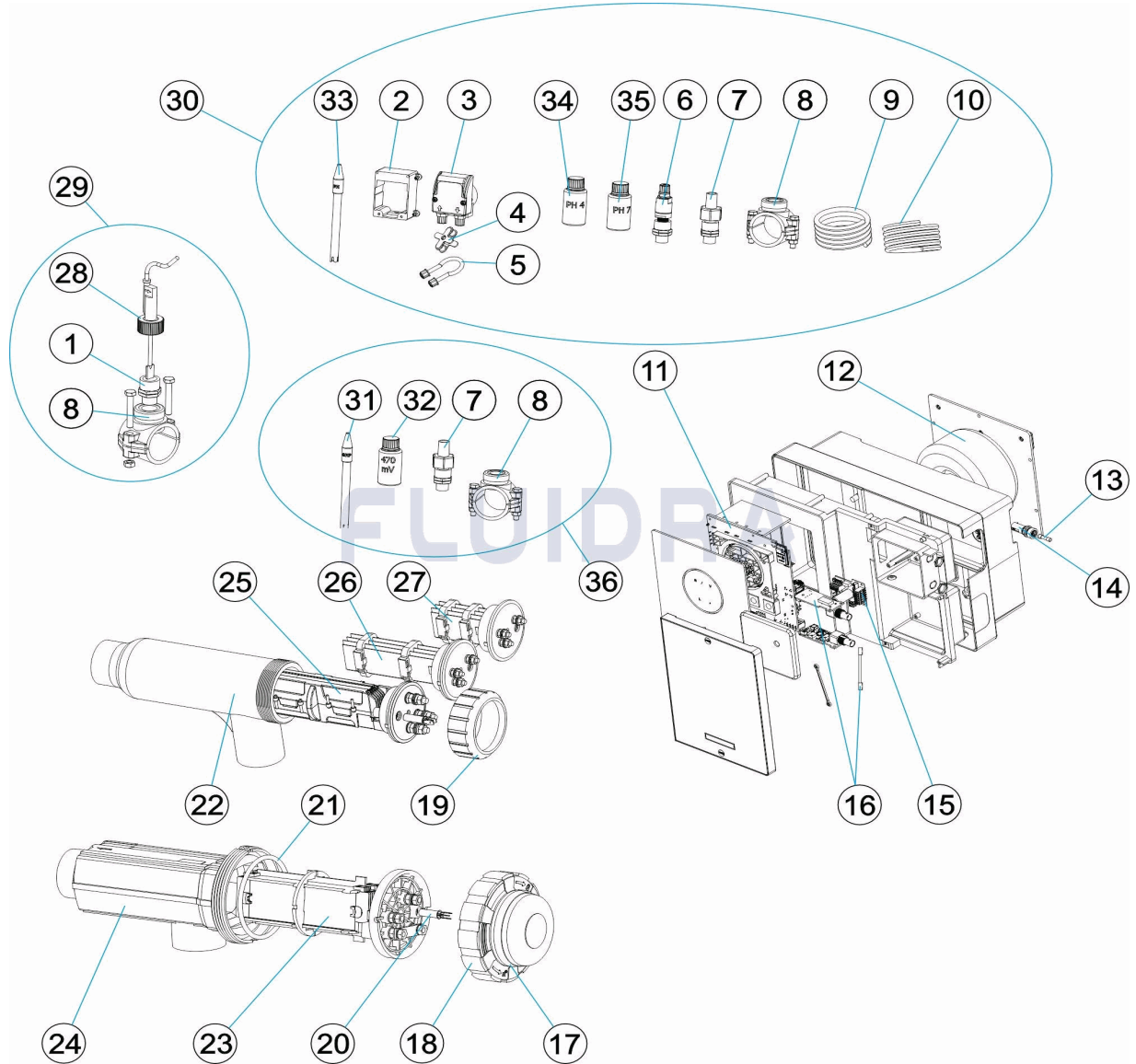
DESCRIZIONE: **CLEAR CONNECT**

OSSERVAZIONI

POS	CODICE	OSSERVAZIONI
11	* 4408040550	PER: 76772, 76775
11	* 4408040549	PER: 76773, 76776
11	* 4408040548	PER: 76774, 76777
11	* 4408040547	PER: 77017, 77019
11	* 4408040546	PER: 77018, 77020
12	* 4408040265	PER: 76772, 76775
12	* 4408040266	PER: 76773, 76776
12	* 4408040267	PER: 76774, 76777
12	* 4408040268	PER: 77017, 77019
12	* 4408040269	PER: 77018, 77020
13	* 4408041112	PER: 76772, 76775
13	* 4408041113	PER: 76773, 76774, 76776, 76777
13	* 4408041114	PER: 77017, 77019
13	* 4408041204	PER: 77018, 77020
16	* 4408040539	PER: 76775, 76776, 76777, 77019, 77020
17	* 4408040527	PER: 77017, 77018, 77019, 77020
18	* 4408040271	PER: 77017, 77018, 77019, 77020
19	* 4408060105	PER: 76772, 76773, 76774, 76775, 76776, 76777
21	* 4408040510	PER: 77017, 77018, 77019, 77020
22	* 4408060201	PER: 76772, 76773, 76774, 76775, 76776, 76777
23	* R-064	PER: 77017, 77019
23	* R-065	PER: 77018, 77020
24	* 57655	PER: 77017, 77018, 77019, 77020
25	* 77395	PER: 76774, 76777
26	* 77394	PER: 76773, 76776
27	* 77393	PER: 76772, 76775

CODE 76772, 76773, 76774, 76775, 76776, 76777, 77017, 77018, 77019, 77020

BESCHREIBUNG: CLEAR CONNECT



DEUTSCH

POS	CODE	BESCHREIBUNG	MENGE	POS	CODE	BESCHREIBUNG	MENGE
1	4408060059	REDUZIERSTÜCK M M 3/4 1/2"		12	* 4408040265	TRAFO 110 VA	
2	4408040538	HALTERUNG PUMPE		12	* 4408040266	TRAFO 190 VA	
3	4408040537	PERISTALTIKPUMPE 1,8L/H LC2		12	* 4408040267	TRAFO 230 VA	
4	4408040049	ROLLENSITZ PH MODELL 2 1,8 - 2,4		12	* 4408040268	TRAFO 340 VA	
5	4408060022	LATEXROHR MIT GEWINDEN		12	* 4408040269	TRAFO 440 VA	
6	4408040068	INJEKTORVENTIL PH-MINUS 3/8"		13	* 4408041112	SICHERUNG 1 A	
7	4408040474	GEWINDESTÜCK SONDENHALTERUNG		13	* 4408041113	SICHERUNG 2 A	
8	4408060119	LADESCHELLE 50		13	* 4408041114	SICHERUNG 3 A	
9	4408032905	ROHR SAUG 4X6 PVC L=2M		13	* 4408041204	SICHERUNG 4 A	
10	4408032906	ROHR DRUCK 4X6 PE L=2M		14	4408040523	SICHERUNGSSITZ 5 X 20 RAHMEN	
11	* 4408040550	PBA LC2 AP SERIES 7GR		15	4408040540	PBA-ANSCHLÜSSE LC2	
11	* 4408040549	PBA LC2 AP SERIES 12GR		16	* 4408040539	PBA DRIVERS PH/ORP LC2 SERIES	
11	* 4408040548	PBA LC2 AP SERIES 21GR		17	* 4408040527	KONTAKTSCHUTZ	

CODE **76772, 76773, 76774, 76775, 76776, 76777, 77017, 77018, 77019, 77020**

BESCHREIBUNG: **CLEAR CONNECT**

11	* 4408040547	PBA LC2 AP SERIES 30GR	18	* 4408040271	GEWINDERING ZELLE
11	* 4408040546	PBA LC2 AP SERIES 40GR	19	* 4408060105	MUTTER D. 92 ELEKTRODE SEL UND DICH
20	4408060158	TEMPERATURFÜHLER	28	71124	DURCHFLUSSMESSER
21	* 4408040510	DICHTUNG GEHÄUSE EPDM	29	76779	ORP KIT CONNECT
22	* 4408060201	GEHÄUSE SEL KLEIN FÜR BASIC	30	76778	PH KIT CONNECT
23	* R-064	ERSATZTEIL ELEKTRODE DT-30	31	60649	ORP-ELEKTRODE
23	* R-065	ERSATZTEIL ELEKTRODE DT-40	32	60633	KALIBRIERLÖSUNG 47 0MV
24	* 57655	ELEKTRODENZELLE	33	60648	ELEKTRODE KOMBINIERT PH
25	* 77395	ELEKTRODENSATZ LC2 AP 21GR	34	60632	PUFFER PH 4,0 50 ML (ROT)
26	* 77394	ELEKTRODENSATZ LC2 AP 12GR	35	60618	PUFFER PH 7,0 50 M/L (GRÜN)
27	* 77393	ELEKTRODENSATZ LC2 AP 7GR	36	76780	FLOW SWITCH CONNECT

CODE **76772, 76773, 76774, 76775, 76776, 76777, 77017, 77018, 77019, 77020**

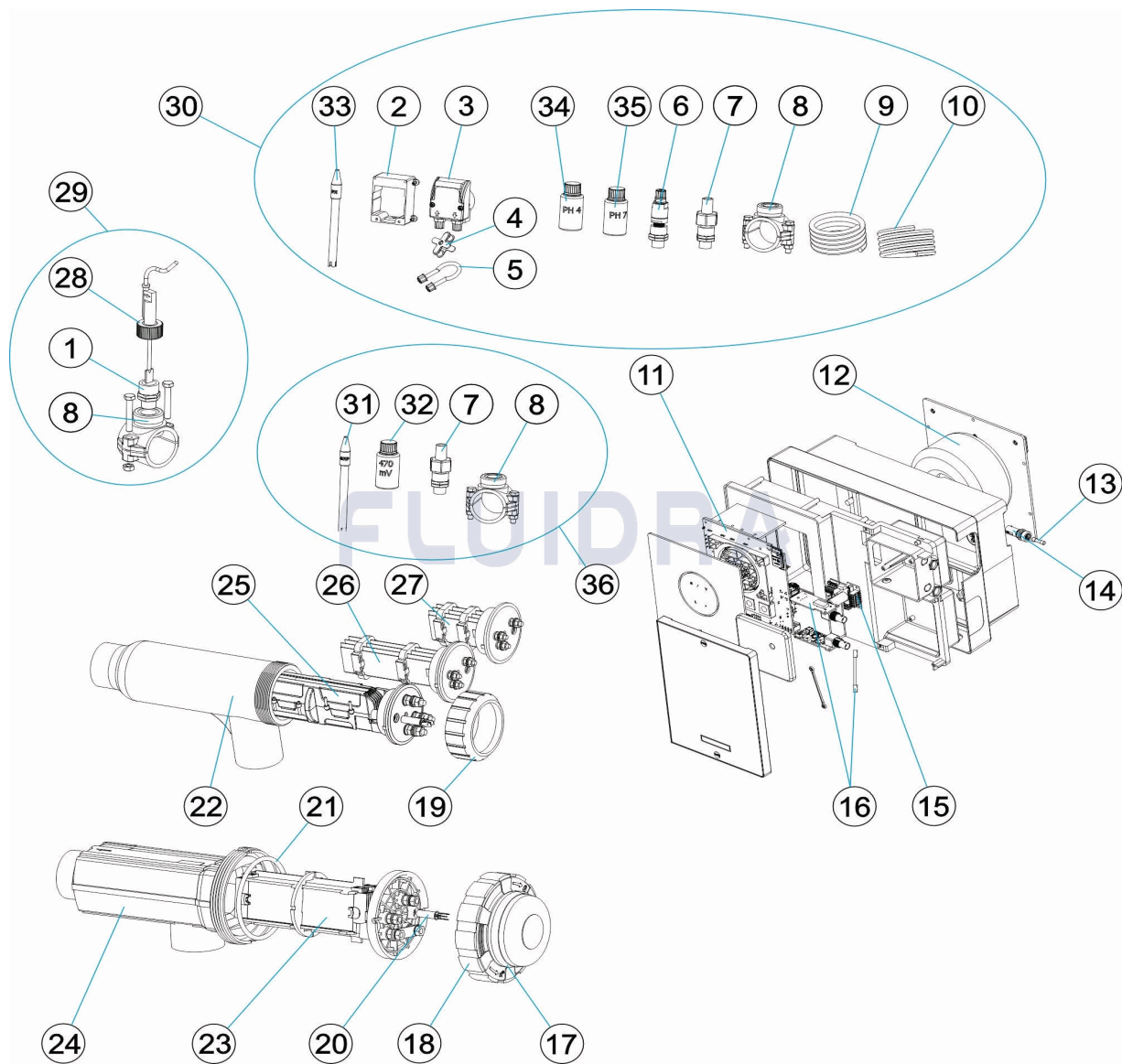
BESCHREIBUNG: **CLEAR CONNECT**

HINWEISE

POS	CODE	HINWEISE
11	* 4408040550	FÜR: 76772, 76775
11	* 4408040549	FÜR: 76773, 76776
11	* 4408040548	FÜR: 76774, 76777
11	* 4408040547	FÜR: 77017, 77019
11	* 4408040546	FÜR: 77018, 77020
12	* 4408040265	FÜR: 76772, 76775
12	* 4408040266	FÜR: 76773, 76776
12	* 4408040267	FÜR: 76774, 76777
12	* 4408040268	FÜR: 77017, 77019
12	* 4408040269	FÜR: 77018, 77020
13	* 4408041112	FÜR: 76772, 76775
13	* 4408041113	FÜR: 76773, 76774, 76776, 76777
13	* 4408041114	FÜR: 77017, 77019
13	* 4408041204	FÜR: 77018, 77020
16	* 4408040539	FÜR: 76775, 76776, 76777, 77019, 77020
17	* 4408040527	FÜR: 77017, 77018, 77019, 77020
18	* 4408040271	FÜR: 77017, 77018, 77019, 77020
19	* 4408060105	FÜR: 76772, 76773, 76774, 76775, 76776, 76777
21	* 4408040510	FÜR: 77017, 77018, 77019, 77020
22	* 4408060201	FÜR: 76772, 76773, 76774, 76775, 76776, 76777
23	* R-064	FÜR: 77017, 77019
23	* R-065	FÜR: 77018, 77020
24	* 57655	FÜR: 77017, 77018, 77019, 77020
25	* 77395	FÜR: 76774, 76777
26	* 77394	FÜR: 76773, 76776
27	* 77393	FÜR: 76772, 76775

CODIGO 76772, 76773, 76774, 76775, 76776, 76777, 77017, 77018, 77019, 77020

DESCRIÇÃO: CLEAR CONNECT



PORTUGUES

POS	CODIGO	DESCRIÇÃO	JANTIDADE	POS	CODIGO	DESCRIÇÃO	JANTIDADE
1	4408060059	REDUÇÃO M-M 3/4 1/2"		12	* 4408040265	TRANSFORMADOR POTÊNCIA 110VA	
2	4408040538	SUPORTE BOMBA		12	* 4408040266	TRANSFORMADOR POTÊNCIA 190VA	
3	4408040537	BOMBA PERISTÁLTICA 1.8L/H LC2		12	* 4408040267	TRANSFORMADOR POTÊNCIA 230VA	
4	4408040049	PORTA CILINDROS PH MODELO 2 1,8-2,4		12	* 4408040268	TRANSFORMADOR POTÊNCIA 340VA	
5	4408060022	TUBO DE LÁTEX		12	* 4408040269	TRANSFORMADOR POTÊNCIA 440VA	
6	4408040068	VALVOLA INJEÇÃO PH-MINUS 3/8"		13	* 4408041112	FUSÍVEL 1A	
7	4408040474	RACORD PORTA-SONDAS		13	* 4408041113	FUSÍVEL 2A	
8	4408060119	TOMADA EM CARGA D. 50		13	* 4408041114	FUSÍVEL 3A	
9	4408032905	TUBO ASPIRAÇÃO 4X6 PVC L=2M		13	* 4408041204	FUSÍVEL 4A	
10	4408032906	TUBO IMPULSÃO 4X6 PE L=2M		14	4408040523	PORTAFUSIVEIS 5X20 CHASIS	
11	* 4408040550	PBA LC2 AP SERIES 7GR		15	4408040540	PBA CONEXÕES LC2	
11	* 4408040549	PBA LC2 AP SERIES 12GR		16	* 4408040539	PBA DRIVERS PH/ORP LC2 SERIES	
11	* 4408040548	PBA LC2 AP SERIES 21GR		17	* 4408040527	PROTECTOR CONTACTOS	

CODIGO **76772, 76773, 76774, 76775, 76776, 76777, 77017, 77018, 77019, 77020**

DESCRIÇÃO: CLEAR CONNECT

11	* 4408040547	PBA LC2 AP SERIES 30GR	18	* 4408040271	ANEL ROSQUEADO CÉLULA
11	* 4408040546	PBA LC2 AP SERIES 40GR	19	* 4408060105	PORCA D. 92 ELÉCTRODO SEL + JUNTA
20	4408060158	SENSOR DE TEMPERATURA	28	71124	FLUXO-ESTATO
21	* 4408040510	JUNTA EPDM COPO	29	76779	ORP KIT CONNECT
22	* 4408060201	COPO PEQUENO PARA BASIC	30	76778	PH KIT CONNECT
23	* R-064	SOBRESSALENTE ELÉCTRODO DT-30	31	60649	ELECTRODO ORP
23	* R-065	SOBRESSALENTE ELÉCTRODO DT-40	32	60633	SOLUÇÃO TAMPÃO 470 MV
24	* 57655	VASO PORTA-ELECTRODOS	33	60648	ELECTRODO COMBINADO PH
25	* 77395	CONJUNTO DE ELETRODOS LC2 AP 21GR	34	60632	SOLUÇÃO TAMPÃO PH 4,0 50 ML. (VERMEL)
26	* 77394	CONJUNTO DE ELETRODOS LC2 AP 12GR	35	60618	SOLUÇÃO TAMPÃO PH 7,0 50 M/L. (VERDE)
27	* 77393	CONJUNTO DE ELETRODOS LC2 AP 7GR	36	76780	FLOW SWITCH CONNECT

CODIGO **76772, 76773, 76774, 76775, 76776, 76777, 77017, 77018, 77019, 77020**

DESCRIÇÃO: CLEAR CONNECT

OBSERVAÇÕES

POS	CODIGO	OBSERVAÇÕES
11	* 4408040550	PARA: 76772, 76775
11	* 4408040549	PARA: 76773, 76776
11	* 4408040548	PARA: 76774, 76777
11	* 4408040547	PARA: 77017, 77019
11	* 4408040546	PARA: 77018, 77020
12	* 4408040265	PARA: 76772, 76775
12	* 4408040266	PARA: 76773, 76776
12	* 4408040267	PARA: 76774, 76777
12	* 4408040268	PARA: 77017, 77019
12	* 4408040269	PARA: 77018, 77020
13	* 4408041112	PARA: 76772, 76775
13	* 4408041113	PARA: 76773, 76774, 76776, 76777
13	* 4408041114	PARA: 77017, 77019
13	* 4408041204	PARA: 77018, 77020
16	* 4408040539	PARA: 76775, 76776, 76777, 77019, 77020
17	* 4408040527	PARA: 77017, 77018, 77019, 77020
18	* 4408040271	PARA: 77017, 77018, 77019, 77020
19	* 4408060105	PARA: 76772, 76773, 76774, 76775, 76776, 76777
21	* 4408040510	PARA: 77017, 77018, 77019, 77020
22	* 4408060201	PARA: 76772, 76773, 76774, 76775, 76776, 76777
23	* R-064	PARA: 77017, 77019
23	* R-065	PARA: 77018, 77020
24	* 57655	PARA: 77017, 77018, 77019, 77020
25	* 77395	PARA: 76774, 76777
26	* 77394	PARA: 76773, 76776
27	* 77393	PARA: 76772, 76775