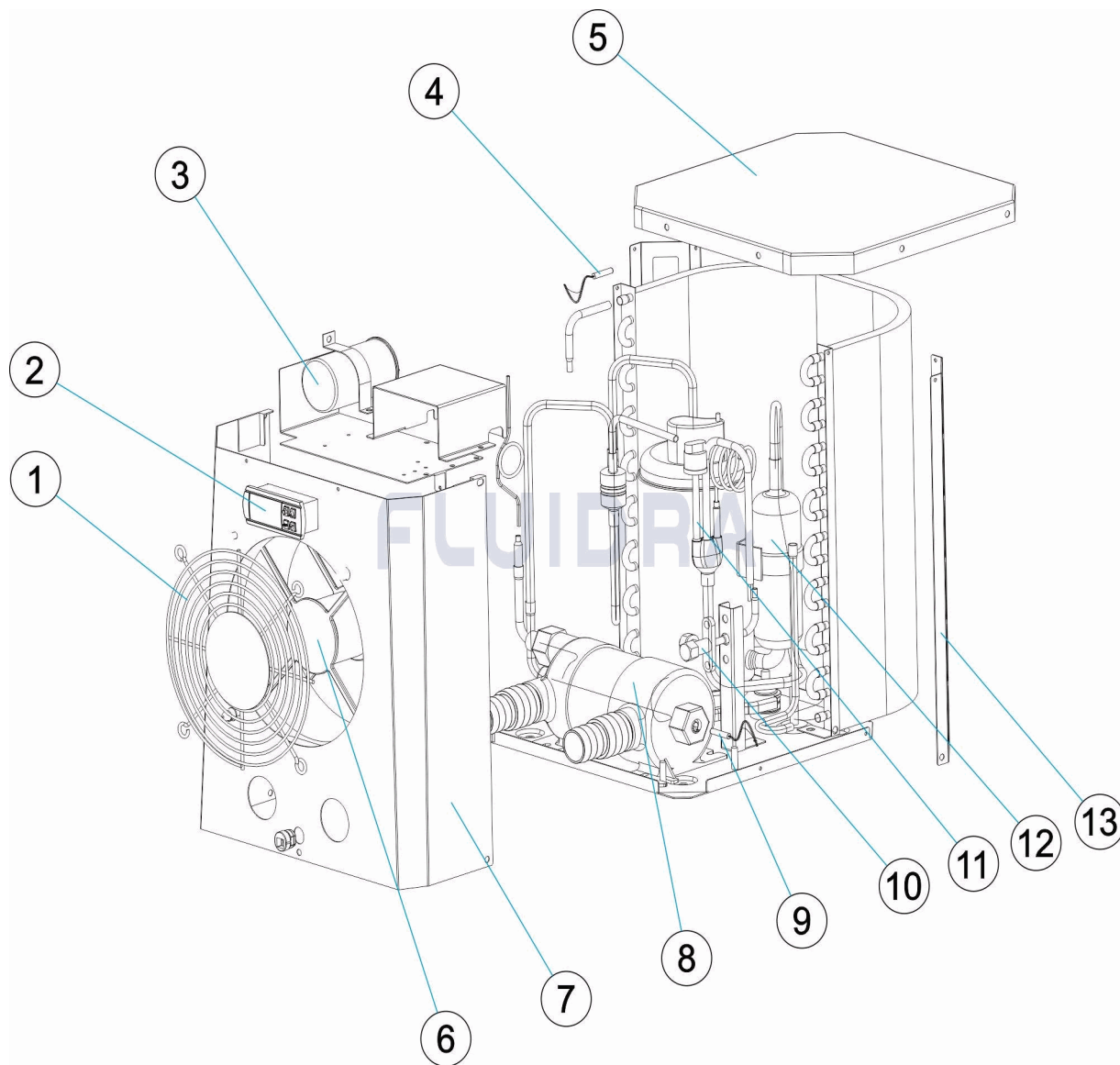


CODIGO **71245**

DESCRIPCION: **MINI ASTRAL**

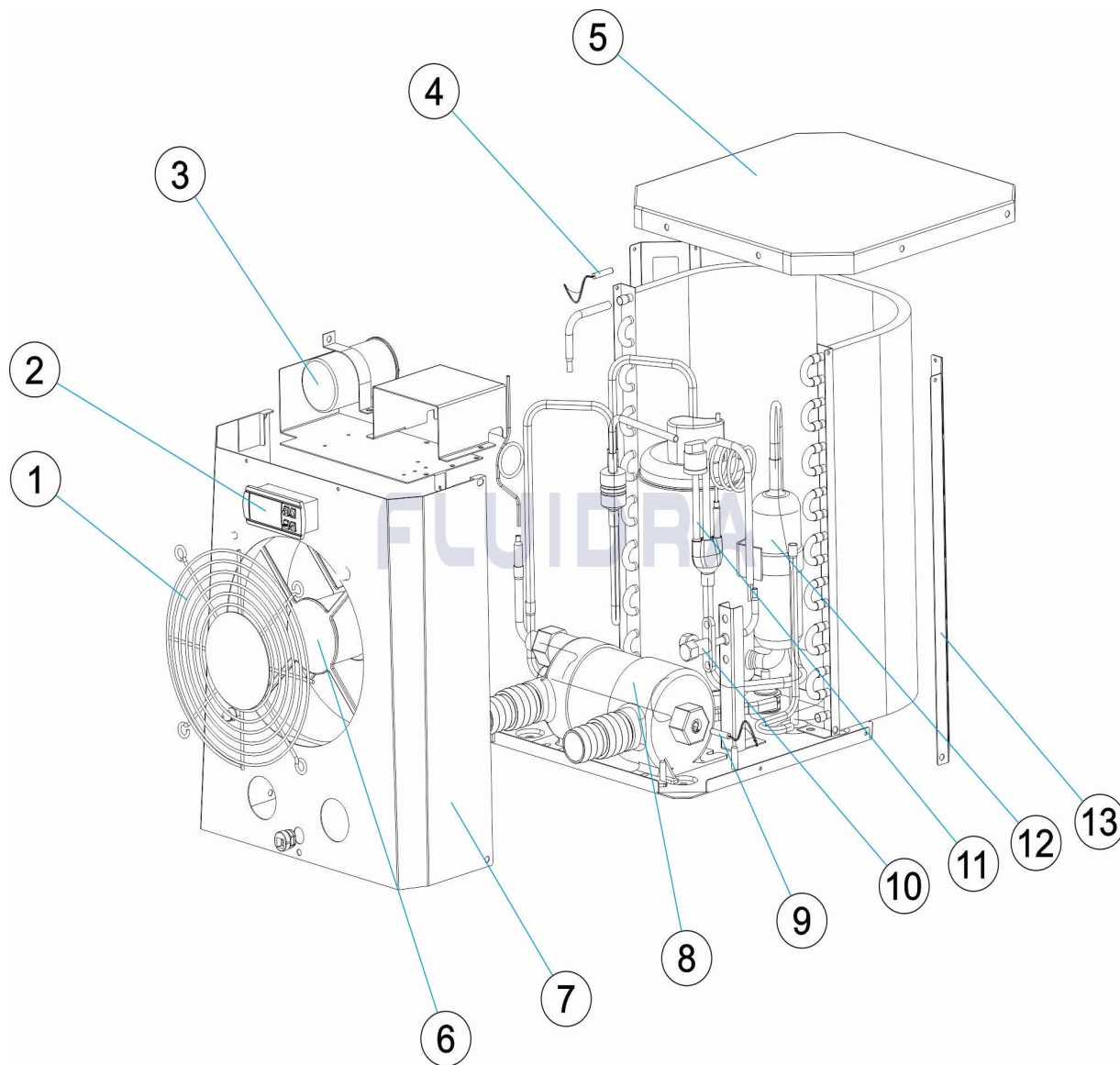


ESPAÑOL

POS	CODIGO	DESCRIPCION	CANTIDAD	POS	CODIGO	DESCRIPCION	CANTIDAD
1	ZX108680017	REJILLA FRONTAL		8	ZX102040699	INTERCAMBIADOR DE TITANIO	
2	ZX117020165	CONTROLADOR		9	ZX117110068	SENSOR TEMPERATURA ENTRADA AGUA	
3	ZX111000011	CONDENSADOR COMPRESOR		10	ZX120000091	VALVULA	
4	ZX117110079	SENSOR TEMPERATURA AMBIENTE		11	ZX116000017	DETECTOR DE PRESIÓN BAJA	
5	ZX108680024	TAPA SUPERIOR		12	ZX101000191	COMPRESOR	
6	ZX112000071	MOTOR VENTILADOR		13	ZX108680018	PILAR	
7	ZX108680030	PANEL FRONTAL					

CODE 71245

DESCRIPTION: MINI ASTRAL

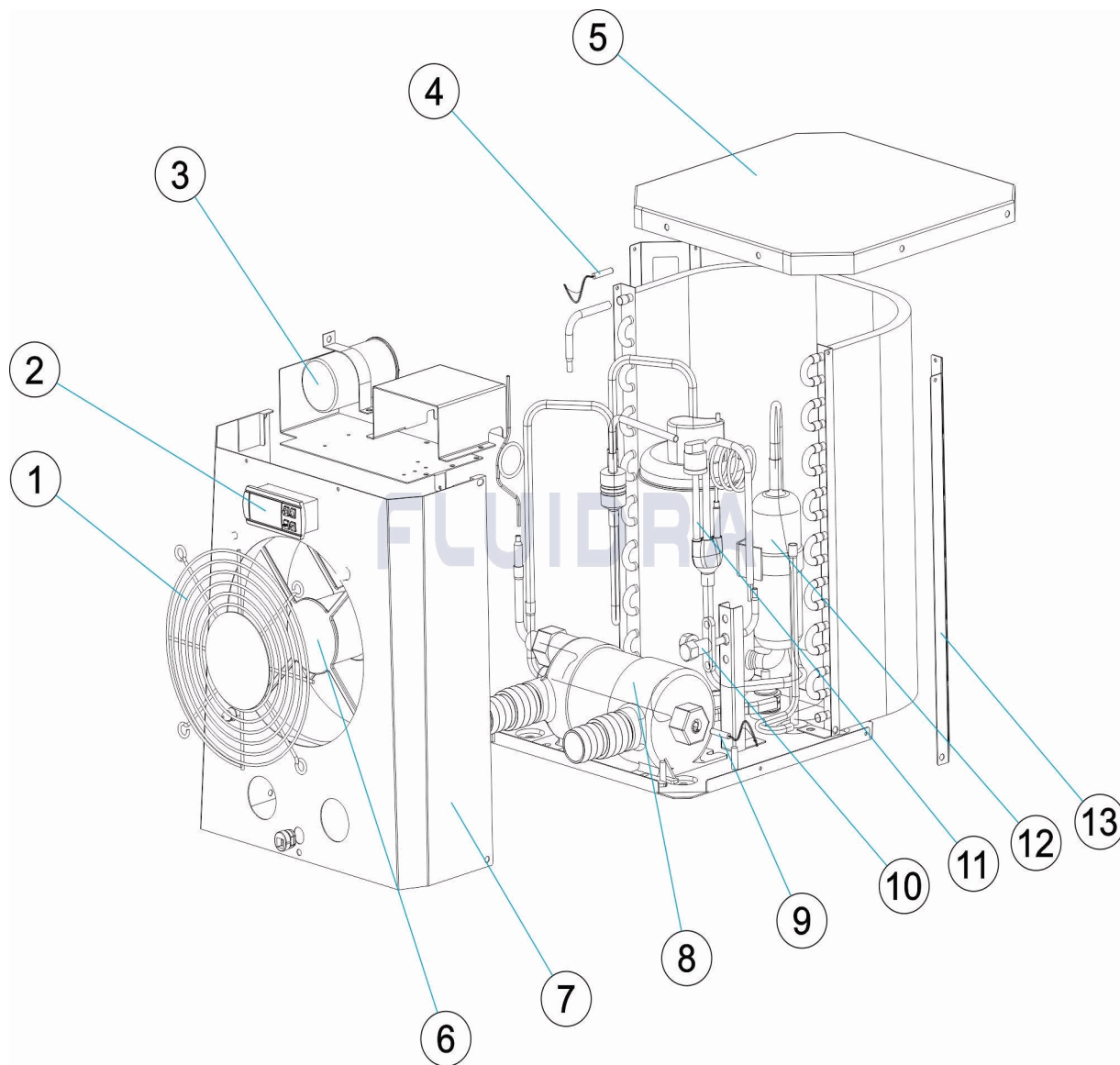


FRANCAIS

POS	CODE	DESCRIPTION	QUANTITE	POS	CODE	DESCRIPTION	QUANTITE
1	ZX108680017	GRILLE FRONTALE		8	ZX102040699	ÉCHANGEUR EN TITANE	
2	ZX117020165	CONTRÔLEUR		9	ZX117110068	CAPTEUR TEMPÉRATURE ARRIVÉE D'EAU	
3	ZX111000011	CONDENSATEUR COMPRESSEUR		10	ZX120000091	VALVE	
4	ZX117110079	CAPTEUR TEMPÉRATURE AMBIANT		11	ZX116000017	DÉTECTEUR BASSE PRESSION	
5	ZX108680024	COUVERCLE SUPÉRIEUR		12	ZX101000191	COMPRESSEUR	
6	ZX112000071	MOTEUR VENTILATEUR		13	ZX108680018	PILIER	
7	ZX108680030	PANNEAU AVANT					

CODE **71245**

DESCRIPTION: **MINI ASTRAL**

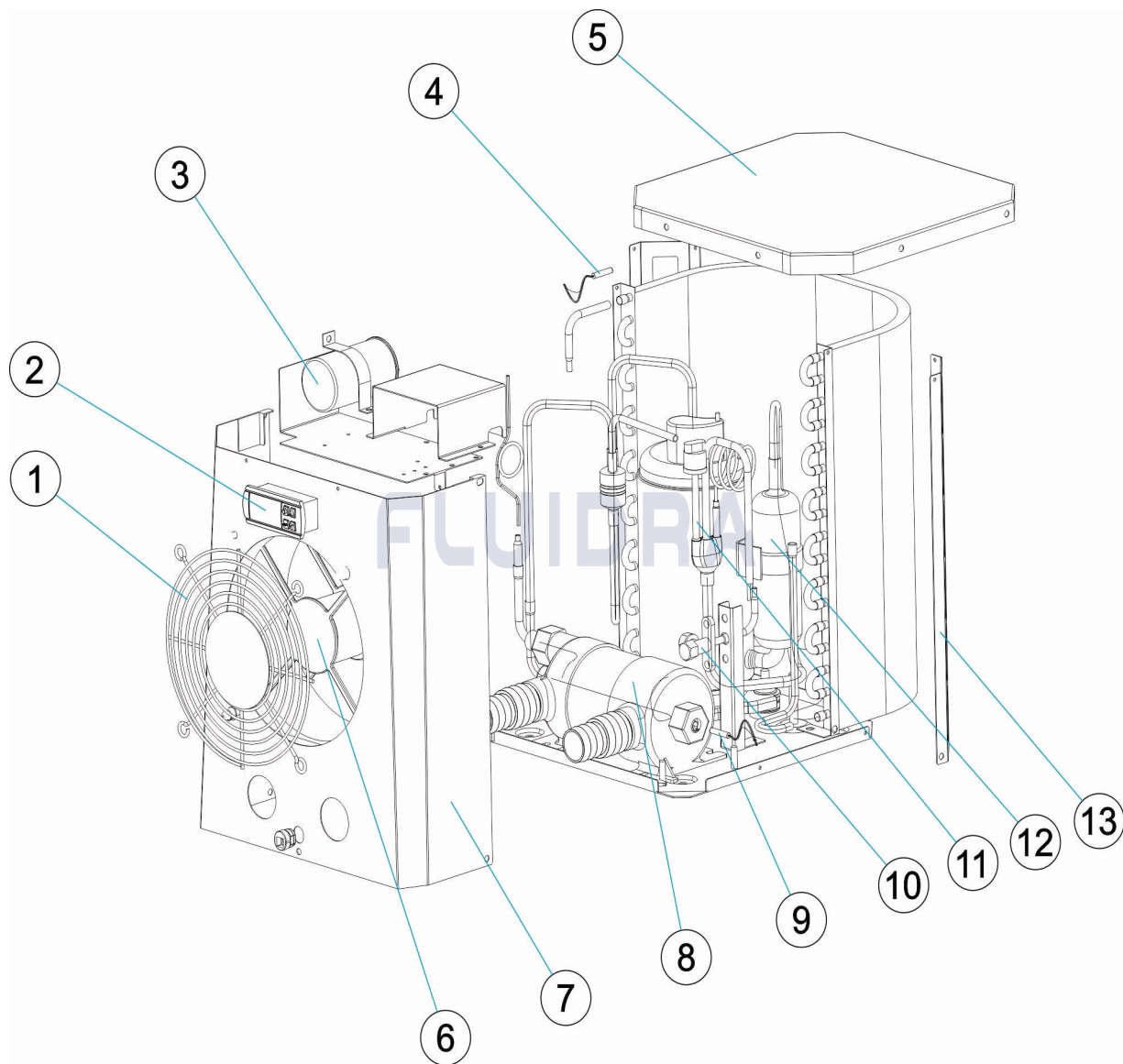


ENGLISH

POS	CODE	DESCRIPTION	QUANTITY	POS	CODE	DESCRIPTION	QUANTITY
1	ZX108680017	FRONT GRILL		8	ZX102040699	TITANIUM HEAT EXCHANGER	
2	ZX117020165	CONTROLLER		9	ZX117110068	WATER INLET TEMPERATURE SENSOR	
3	ZX111000011	COMPRESSOR CAPACITANCE		10	ZX120000091	VALVE	
4	ZX117110079	AMBIENT TEMPERATURE SENSOR		11	ZX116000017	LOW PRESSURE SWITCH	
5	ZX108680024	TOP COVER		12	ZX101000191	COMPRESSOR	
6	ZX112000071	FAN MOTOR		13	ZX108680018	PILLAR	
7	ZX108680030	FRONT PANEL					

CODICE **71245**

DESCRIZIONE: **MINI ASTRAL**

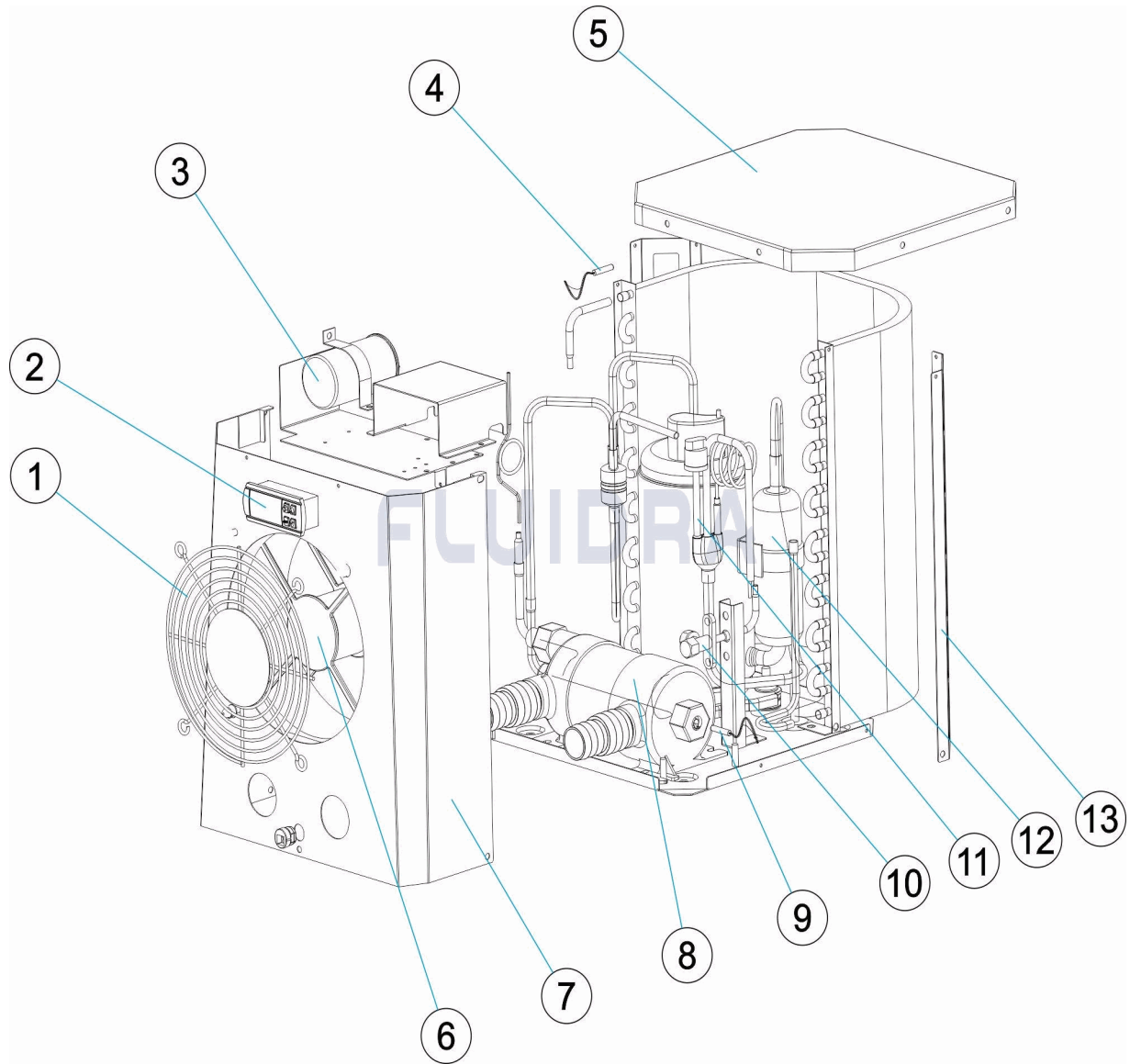


ITALIANO

POS	CODICE	DESCRIZIONE	QUANTITA'	POS	CODICE	DESCRIZIONE	QUANTITA'
1	ZX108680017	GRIGLIA FRONTALE		8	ZX102040699	INTERCAMBIATORE IN TITANIO	
2	ZX117020165	CONTROLLATORE		9	ZX117110068	SENSORE TEMPERATURA INGRESSO ACQ	
3	ZX111000011	CONDENSATORE COMPRESSORE		10	ZX120000091	VALVOLA	
4	ZX117110079	SENSORE TEMPERATURA AMBIENTE		11	ZX116000017	RIVELATORE BASSO PRESSIONE	
5	ZX108680024	COPERCHIO SUPERIORE		12	ZX101000191	COMPRESSORE	
6	ZX112000071	MOTORE VENTOLA		13	ZX108680018	PILASTRO	
7	ZX108680030	PANNELLO FRONTALE					

CODE 71245

BESCHREIBUNG: MINI ASTRAL

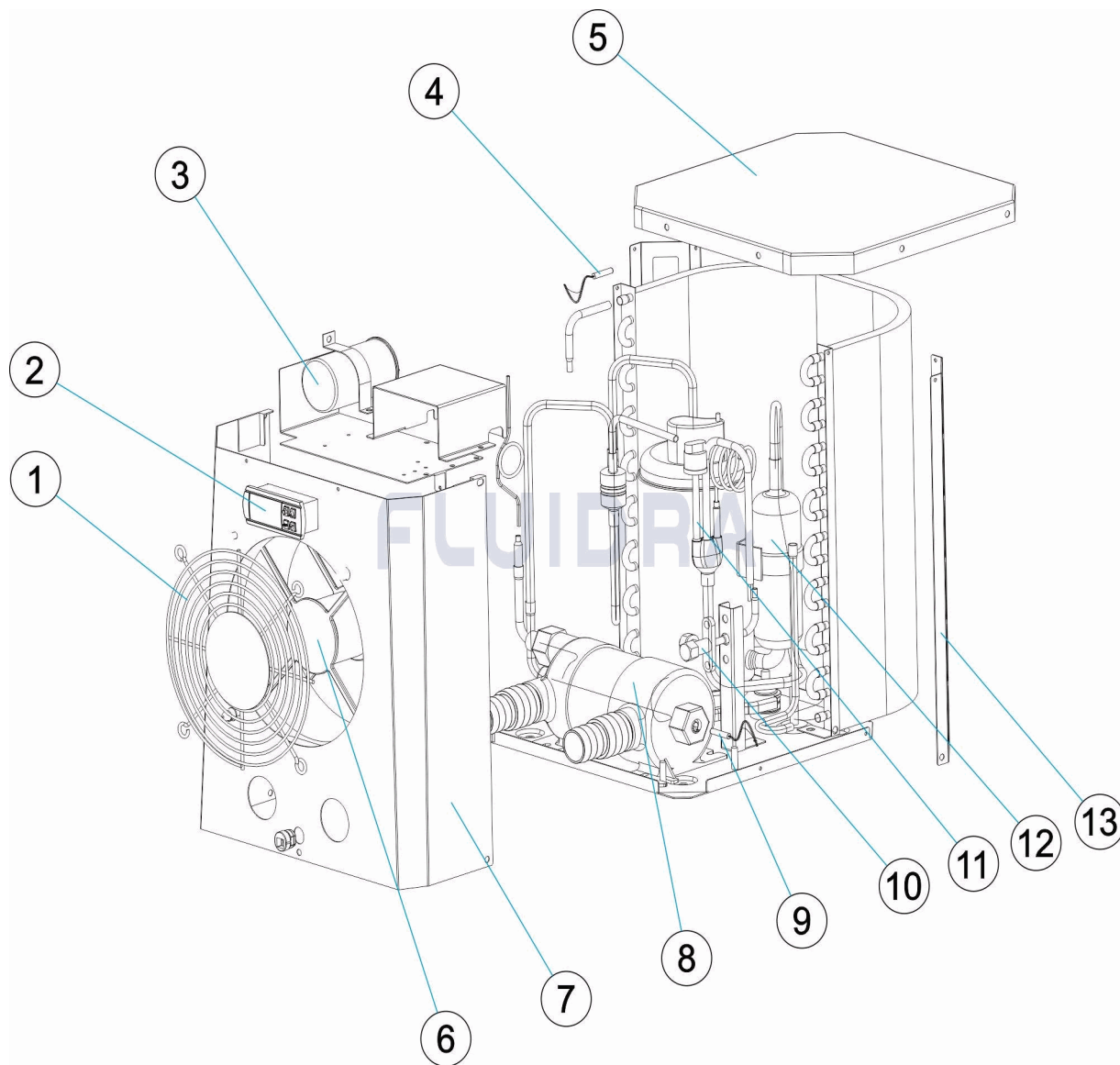


DEUTSCH

POS	CODE	BESCHREIBUNG	MENGE	POS	CODE	BESCHREIBUNG	MENGE
1	ZX108680017	FRONTGITTER		8	ZX102040699	WÄRMEÜBERTRAGER TITANIUM	
2	ZX117020165	STEUERUNG		9	ZX117110068	WASSERZUFLUSS TEMPERATURFÜHLER	
3	ZX111000011	KOMPRESSOR KONDENSATOR		10	ZX120000091	VENTILE	
4	ZX117110079	UMGEBUNGS TEMPERATURFÜHLER		11	ZX116000017	DETEKTOR NIEDERDRUCK	
5	ZX108680024	ABDECKUNG OBEN		12	ZX101000191	KOMPRESSOR	
6	ZX112000071	LÜFTERMOTOR		13	ZX108680018	SÄULE	
7	ZX108680030	FRONTPLATTE					

CODIGO **71245**

DESCRIÇÃO: **MINI ASTRAL**



PORTUGUES

POS	CODIGO	DESCRIÇÃO	JANTIDADE	POS	CODIGO	DESCRIÇÃO	JANTIDADE
1	ZX108680017	GRELHA FRONTAL		8	ZX102040699	PERMUTADOR DE TITÂNIO	
2	ZX117020165	CONTROLADOR		9	ZX117110068	SENSOR TEMPERATURA ENTRADA ÁGUA	
3	ZX111000011	CONDENSADOR COMPRESSOR		10	ZX120000091	VÁLVULA	
4	ZX117110079	SENSOR TEMPERATURA AMBIENTE		11	ZX116000017	DETECTOR DE BAIXA PRESSÃO	
5	ZX108680024	TAMPA SUPERIOR		12	ZX101000191	COMPRESSOR	
6	ZX112000071	MOTOR VENTILADOR		13	ZX108680018	PILAR	
7	ZX108680030	PAINEL FRONTAL					