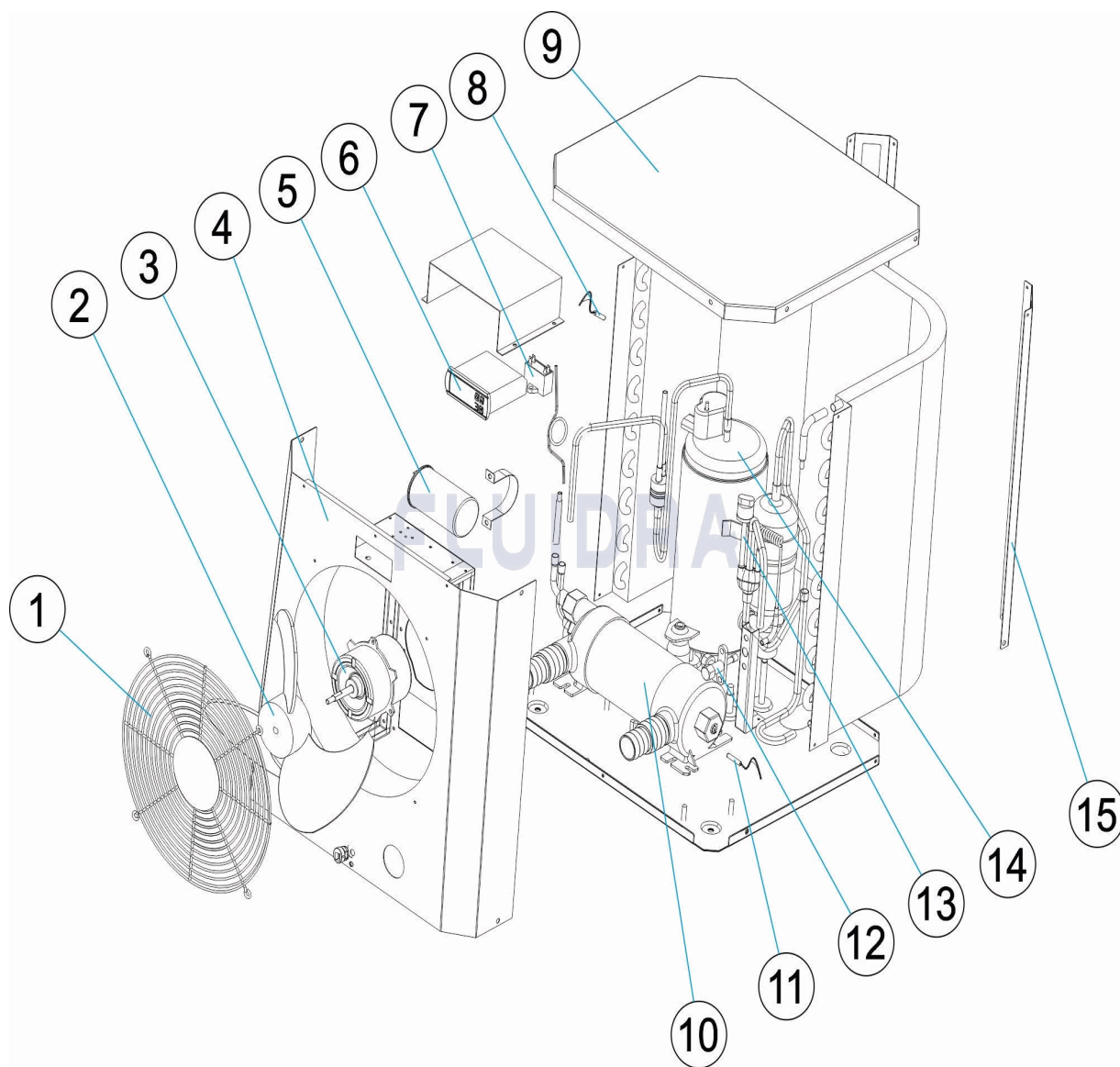


CODIGO 71258, 71606-FLD

DESCRIPCION: MINI ASTRAL



ESPAÑOL

POS	CODIGO	DESCRIPCION	CANTIDAD	POS	CODIGO	DESCRIPCION	CANTIDAD
1	ZX133020052	REJILLA FRONTAL		9	ZX108690008	TAPA SUPERIOR	
2	ZX132000024	ASPAS VENTILADOR		10	* ZX102040746	INTERCAMBIADOR DE TITANIO	
3	* ZX112000079	MOTOR VENTILADOR		10	* ZX102040700	INTERCAMBIADOR DE TITANIO	
3	* ZX112000054	MOTOR VENTILADOR		11	ZX117110068	SENSOR TEMPERATURA ENTRADA AGUA	
4	ZX108690023	PANEL FRONTAL		12	ZX120000091	VALVULA	
5	* ZX111000011	CONDENSADOR COMPRESOR		13	ZX116000017	DETECTOR DE PRESIÓN BAJA	
5	* ZX111300013	CONDENSADOR COMPRESOR		14	* ZX101000210	COMPRESOR	
6	ZX117020165	CONTROLADOR		14	* ZX101000183	COMPRESOR	
7	ZX111000034	CONDENSADOR VENTILADOR		15	ZX108690009	PILAR	
8	ZX117110079	SENSOR TEMPERATURA AMBIENTE					

CODIGO 71258, 71606-FLD

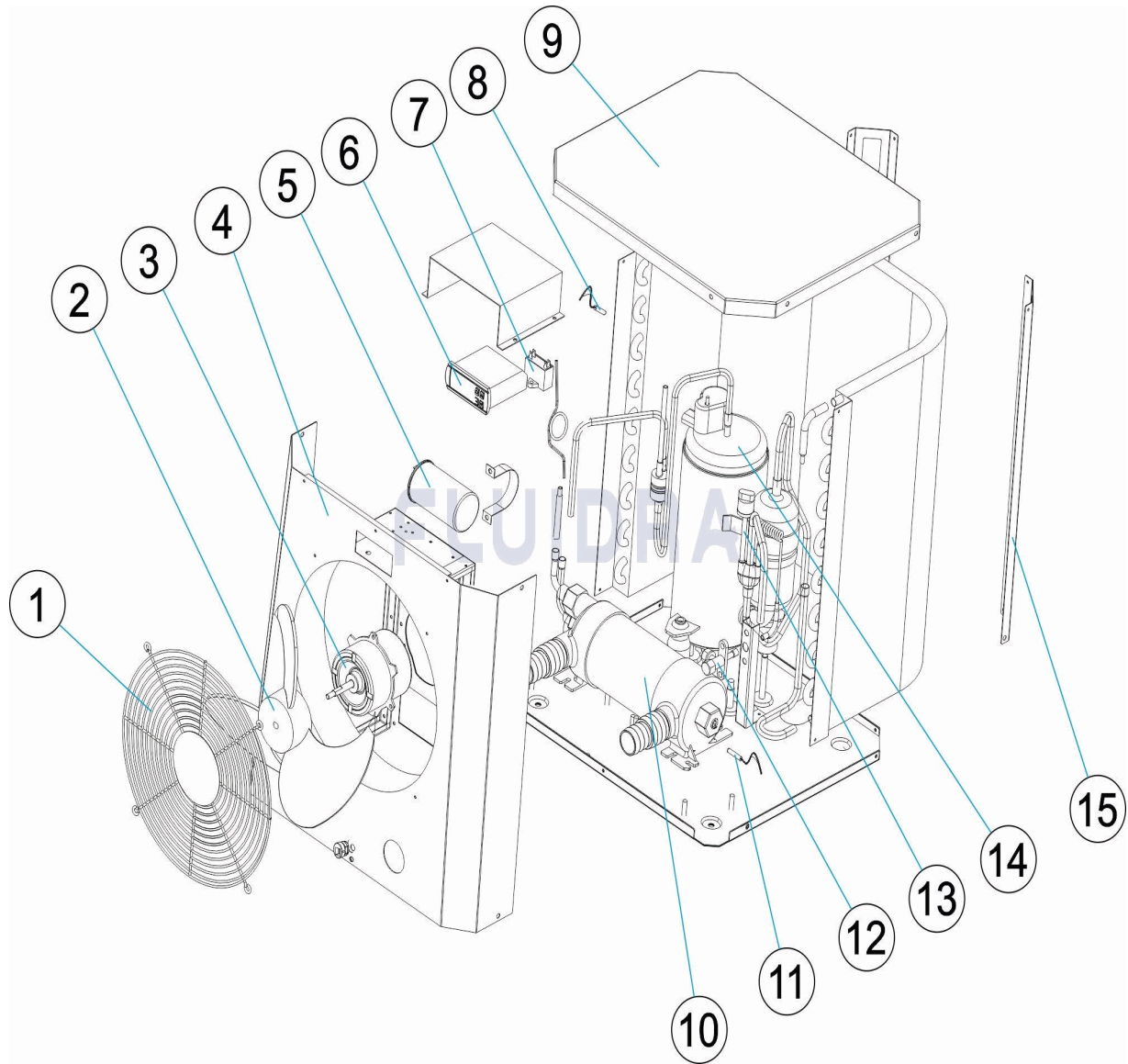
DESCRIPCION: MINI ASTRAL

OBSERVACIONES

POS	CODIGO	OBSERVACIONES
3	* ZX112000079	PARA: 71258
3	* ZX112000054	PARA: 71606-FLD
5	* ZX111000011	PARA: 71258
5	* ZX111300013	PARA: 71606-FLD
10	* ZX102040746	PARA: 71258
10	* ZX102040700	PARA: 71606-FLD
14	* ZX101000210	PARA: 71258
14	* ZX101000183	PARA: 71606-FLD

CODE 71258, 71606-FLD

DESCRIPTION: MINI ASTRAL



FRANCAIS

POS	CODE	DESCRIPTION	QUANTITE	POS	CODE	DESCRIPTION	QUANTITE
1	ZX133020052	GRILLE FRONTALE		9	ZX108690008	COUVERCLE SUPÉRIEUR	
2	ZX132000024	PALES VENTILATEUR		10	* ZX102040746	ÉCHANGEUR EN TITANE	
3	* ZX112000079	MOTEUR VENTILATEUR		10	* ZX102040700	ÉCHANGEUR EN TITANE	
3	* ZX112000054	MOTEUR VENTILATEUR		11	ZX117110068	CAPTEUR TEMPÉRATURE ARRIVÉE D'EAU	
4	ZX108690023	PANNEAU AVANT		12	ZX120000091	VALVE	
5	* ZX111000011	CONDENSATEUR COMPRESSEUR		13	ZX116000017	DÉTECTEUR BASSE PRESSION	
5	* ZX111300013	CONDENSATEUR COMPRESSEUR		14	* ZX101000210	COMPRESSEUR	
6	ZX117020165	CONTRÔLEUR		14	* ZX101000183	COMPRESSEUR	
7	ZX111000034	CONDENSATEUR VENTILATEUR		15	ZX108690009	PILIER	
8	ZX117110079	CAPTEUR TEMPÉRATURE AMBIANT					

CODE **71258, 71606-FLD**

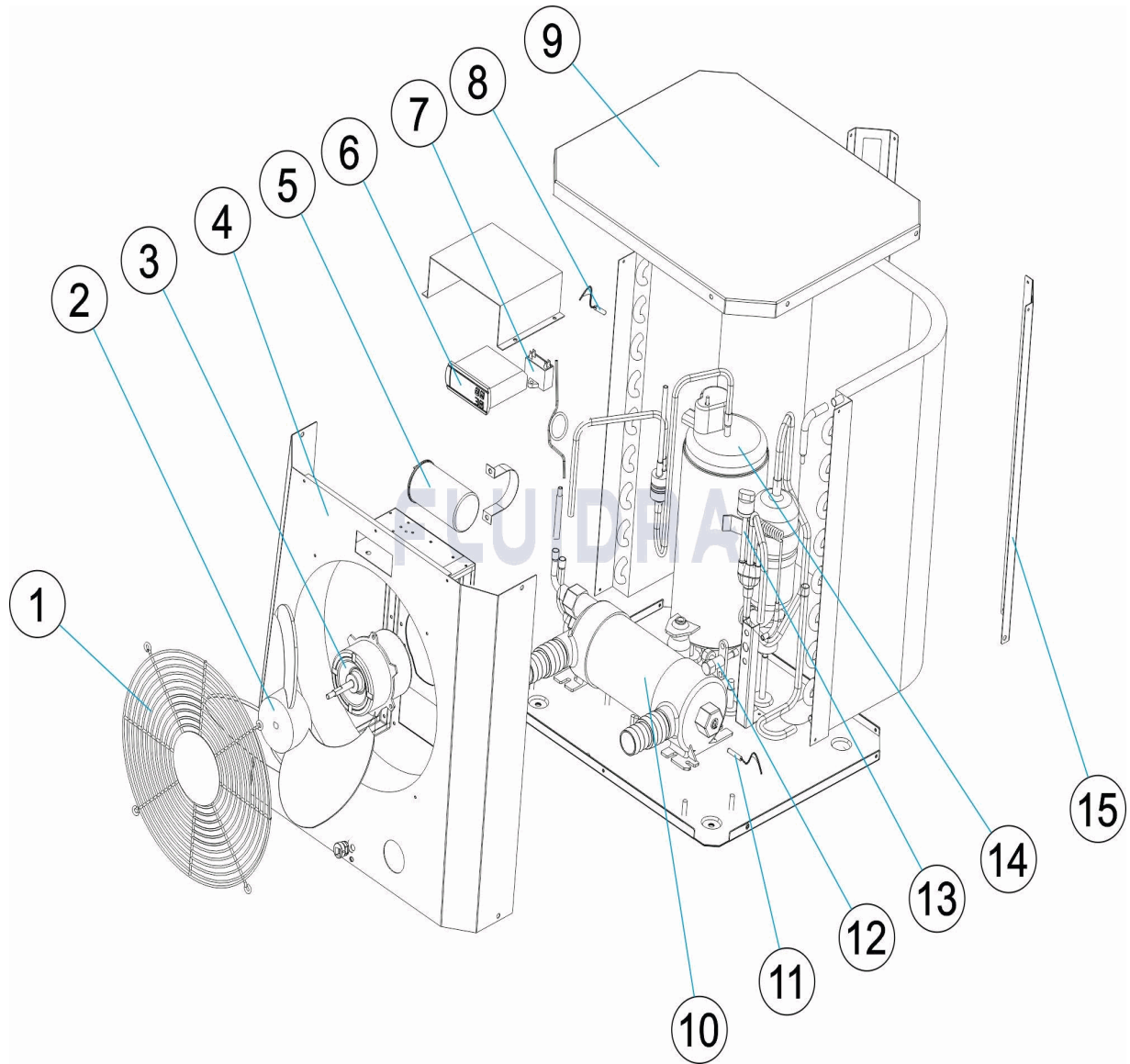
DESCRIPTION: **MINI ASTRAL**

OBSERVATIONS

POS	CODE	OBSERVATIONS
3	* ZX112000079	POUR: 71258
3	* ZX112000054	POUR: 71606-FLD
5	* ZX111000011	POUR: 71258
5	* ZX111300013	POUR: 71606-FLD
10	* ZX102040746	POUR: 71258
10	* ZX102040700	POUR: 71606-FLD
14	* ZX101000210	POUR: 71258
14	* ZX101000183	POUR: 71606-FLD

CODE 71258, 71606-FLD

DESCRIPTION: MINI ASTRAL



ENGLISH

POS	CODE	DESCRIPTION	QUANTITY	POS	CODE	DESCRIPTION	QUANTITY
1	ZX133020052	FRONT GRILL		9	ZX108690008	TOP COVER	
2	ZX132000024	FAN BLADE		10	* ZX102040746	TITANIUM HEAT EXCHANGER	
3	* ZX112000079	FAN MOTOR		10	* ZX102040700	TITANIUM HEAT EXCHANGER	
3	* ZX112000054	FAN MOTOR		11	ZX117110068	WATER INLET TEMPERATURE SENSOR	
4	ZX108690023	FRONT PANEL		12	ZX120000091	VALVE	
5	* ZX111000011	COMPRESSOR CAPACITANCE		13	ZX116000017	LOW PRESSURE SWITCH	
5	* ZX111300013	COMPRESSOR CAPACITANCE		14	* ZX101000210	COMPRESSOR	
6	ZX117020165	CONTROLLER		14	* ZX101000183	COMPRESSOR	
7	ZX111000034	FAN CAPACITOR		15	ZX108690009	PILLAR	
8	ZX117110079	AMBIENT TEMPERATURE SENSOR					

CODE **71258, 71606-FLD**

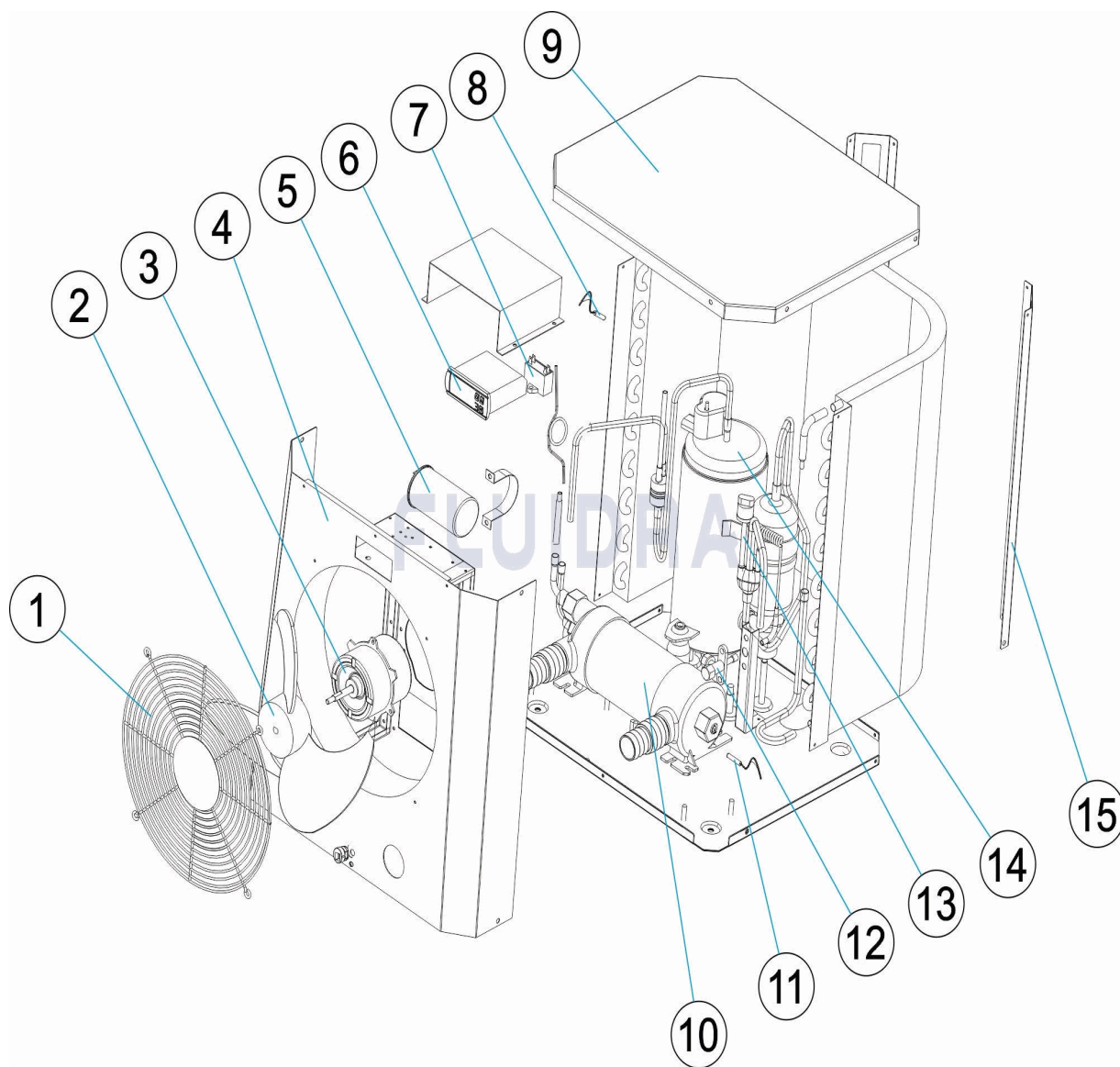
DESCRIPTION: **MINI ASTRAL**

OBSERVATIONS

POS	CODE	OBSERVATIONS
3	* ZX112000079	FOR: 71258
3	* ZX112000054	FOR: 71606-FLD
5	* ZX111000011	FOR: 71258
5	* ZX111300013	FOR: 71606-FLD
10	* ZX102040746	FOR: 71258
10	* ZX102040700	FOR: 71606-FLD
14	* ZX101000210	FOR: 71258
14	* ZX101000183	FOR: 71606-FLD

CODICE 71258, 71606-FLD

DESCRIZIONE: MINI ASTRAL



ITALIANO

POS	CODICE	DESCRIZIONE	QUANTITA'	POS	CODICE	DESCRIZIONE	QUANTITA'
1	ZX133020052	GRIGLIA FRONTALE		9	ZX108690008	COPERCHIO SUPERIORE	
2	ZX132000024	PALE VENTILATORE		10	* ZX102040746	INTERCAMBIATORE IN TITANIO	
3	* ZX112000079	MOTORE VENTOLA		10	* ZX102040700	INTERCAMBIATORE IN TITANIO	
3	* ZX112000054	MOTORE VENTOLA		11	ZX117110068	SENSORE TEMPERATURA INGRESSO ACQ	
4	ZX108690023	PANNELLO FRONTALE		12	ZX120000091	VALVOLA	
5	* ZX111000011	CONDENSATORE COMPRESSORE		13	ZX116000017	RIVELATORE BASSO PRESSIONE	
5	* ZX111300013	CONDENSATORE COMPRESSORE		14	* ZX101000210	COMPRESSORE	
6	ZX117020165	CONTROLLATORE		14	* ZX101000183	COMPRESSORE	
7	ZX111000034	CONDENSATORE VENTILATORE		15	ZX108690009	PILASTRO	
8	ZX117110079	SENSORE TEMPERATURA AMBIENTE					

CODICE **71258, 71606-FLD**

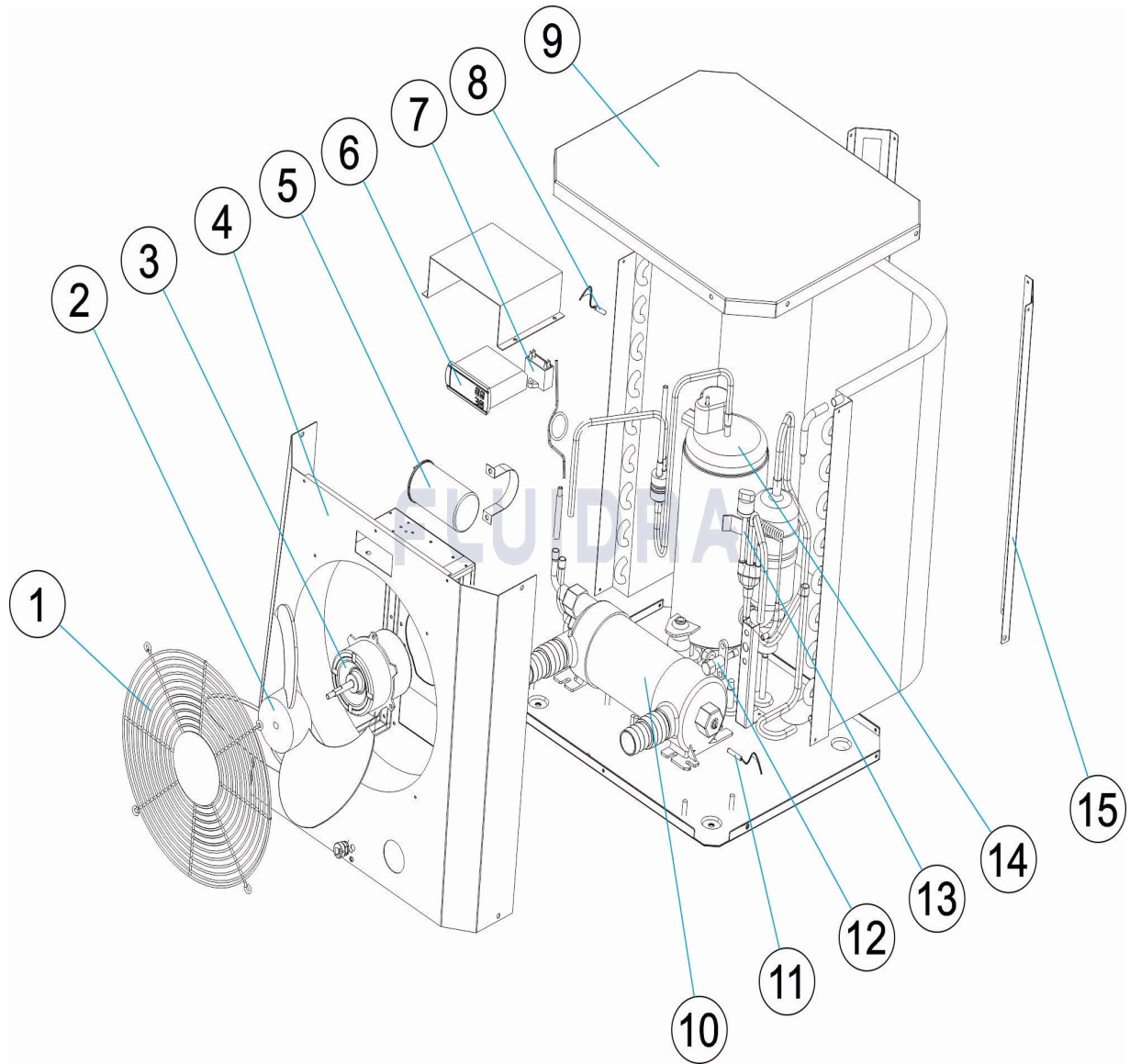
DESCRIZIONE: **MINI ASTRAL**

OSSERVAZIONI

POS	CODICE	OSSERVAZIONI
3	* ZX112000079	PER: 71258
3	* ZX112000054	PER: 71606-FLD
5	* ZX111000011	PER: 71258
5	* ZX111300013	PER: 71606-FLD
10	* ZX102040746	PER: 71258
10	* ZX102040700	PER: 71606-FLD
14	* ZX101000210	PER: 71258
14	* ZX101000183	PER: 71606-FLD

CODE 71258, 71606-FLD

BESCHREIBUNG: MINI ASTRAL



DEUTSCH

POS	CODE	BESCHREIBUNG	MENGE	POS	CODE	BESCHREIBUNG	MENGE
1	ZX133020052	FRONTGITTER		9	ZX108690008	ABDECKUNG OBEN	
2	ZX132000024	ROTORBLÄTTER VENTILATOR		10	* ZX102040746	WÄRMEÜBERTRAGER TITANIUM	
3	* ZX112000079	LÜFTERMOTOR		10	* ZX102040700	WÄRMEÜBERTRAGER TITANIUM	
3	* ZX112000054	LÜFTERMOTOR		11	ZX117110068	WASSERZUFLUSS TEMPERATURFÜHLER	
4	ZX108690023	FRONTPLATTE		12	ZX120000091	VENTILE	
5	* ZX111000011	KOMPRESSOR KONDENSATOR		13	ZX116000017	DETEKTOR NIEDERDRUCK	
5	* ZX111300013	KOMPRESSOR KONDENSATOR		14	* ZX101000210	KOMPRESSOR	
6	ZX117020165	STEUERUNG		14	* ZX101000183	KOMPRESSOR	
7	ZX111000034	VENTILATORCONDENSATOR		15	ZX108690009	SÄULE	
8	ZX117110079	UMGEBUNGS TEMPERATURFÜHLER					

CODE **71258, 71606-FLD**

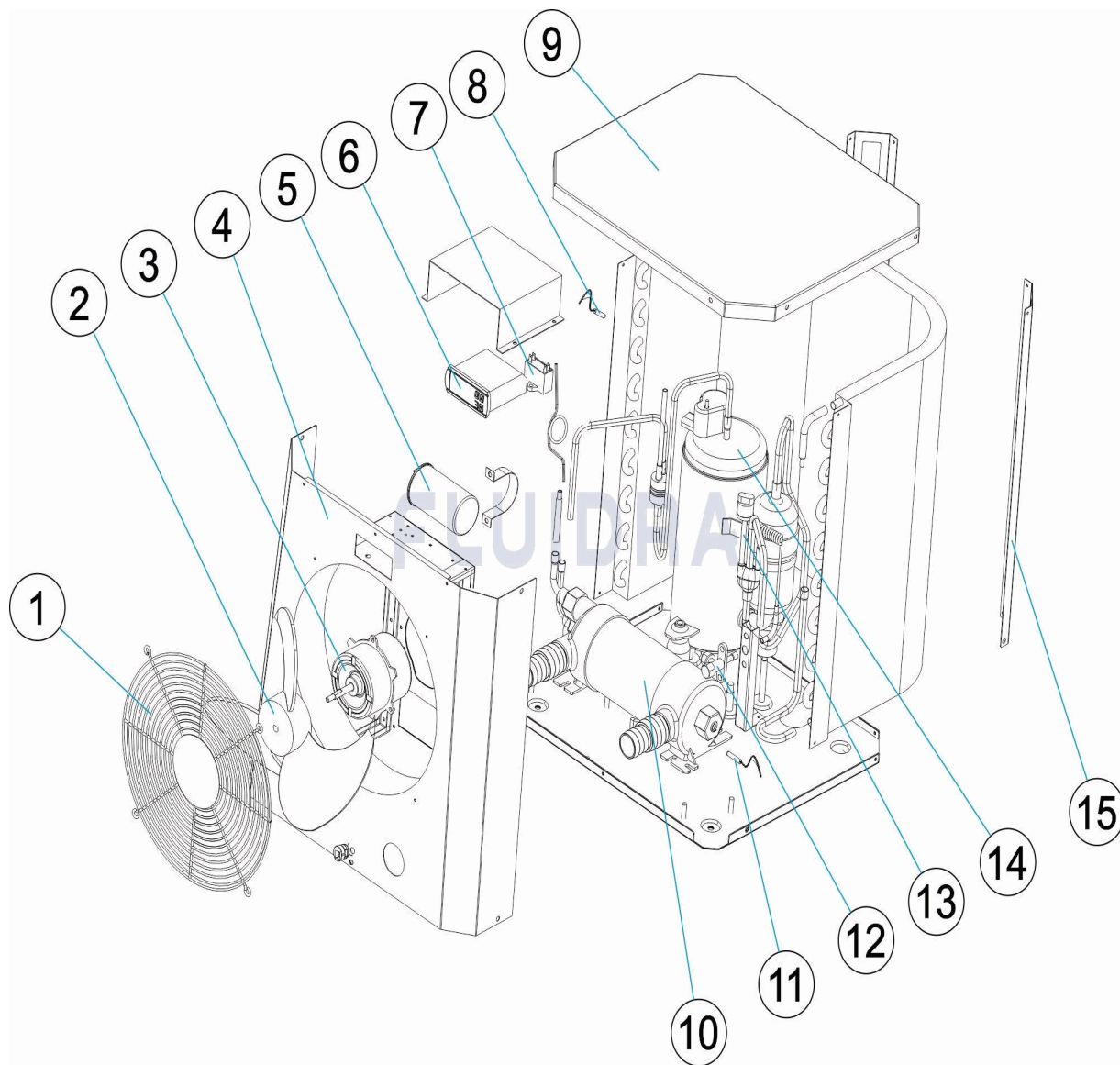
BESCHREIBUNG: **MINI ASTRAL**

HINWEISE

POS	CODE	HINWEISE
3	* ZX112000079	FÜR: 71258
3	* ZX112000054	FÜR: 71606-FLD
5	* ZX111000011	FÜR: 71258
5	* ZX111300013	FÜR: 71606-FLD
10	* ZX102040746	FÜR: 71258
10	* ZX102040700	FÜR: 71606-FLD
14	* ZX101000210	FÜR: 71258
14	* ZX101000183	FÜR: 71606-FLD

CODIGO 71258, 71606-FLD

DESCRIÇÃO: MINI ASTRAL



PORTUGUES

POS	CODIGO	DESCRIÇÃO	JANTIDADE	POS	CODIGO	DESCRIÇÃO	JANTIDADE
1	ZX133020052	GRELHA FRONTAL		9	ZX108690008	TAMPA SUPERIOR	
2	ZX132000024	PÁS VENTILADOR		10	* ZX102040746	PERMUTADOR DE TITÂNIO	
3	* ZX112000079	MOTOR VENTILADOR		10	* ZX102040700	PERMUTADOR DE TITÂNIO	
3	* ZX112000054	MOTOR VENTILADOR		11	ZX117110068	SENSOR TEMPERATURA ENTRADA ÁGUA	
4	ZX108690023	PAINEL FRONTAL		12	ZX120000091	VÁLVULA	
5	* ZX111000011	CONDENSADOR COMPRESSOR		13	ZX116000017	DETECTOR DE BAIXA PRESSÃO	
5	* ZX111300013	CONDENSADOR COMPRESSOR		14	* ZX101000210	COMPRESSOR	
6	ZX117020165	CONTROLADOR		14	* ZX101000183	COMPRESSOR	
7	ZX111000034	CONDENSADOR VENTILADOR		15	ZX108690009	PILAR	
8	ZX117110079	SENSOR TEMPERATURA AMBIENTE					

CODIGO **71258, 71606-FLD**

DESCRIÇÃO: MINI ASTRAL

OBSERVAÇÕES

POS	CODIGO	OBSERVAÇÕES
3	* ZX112000079	PARA: 71258
3	* ZX112000054	PARA: 71606-FLD
5	* ZX111000011	PARA: 71258
5	* ZX111300013	PARA: 71606-FLD
10	* ZX102040746	PARA: 71258
10	* ZX102040700	PARA: 71606-FLD
14	* ZX101000210	PARA: 71258
14	* ZX101000183	PARA: 71606-FLD