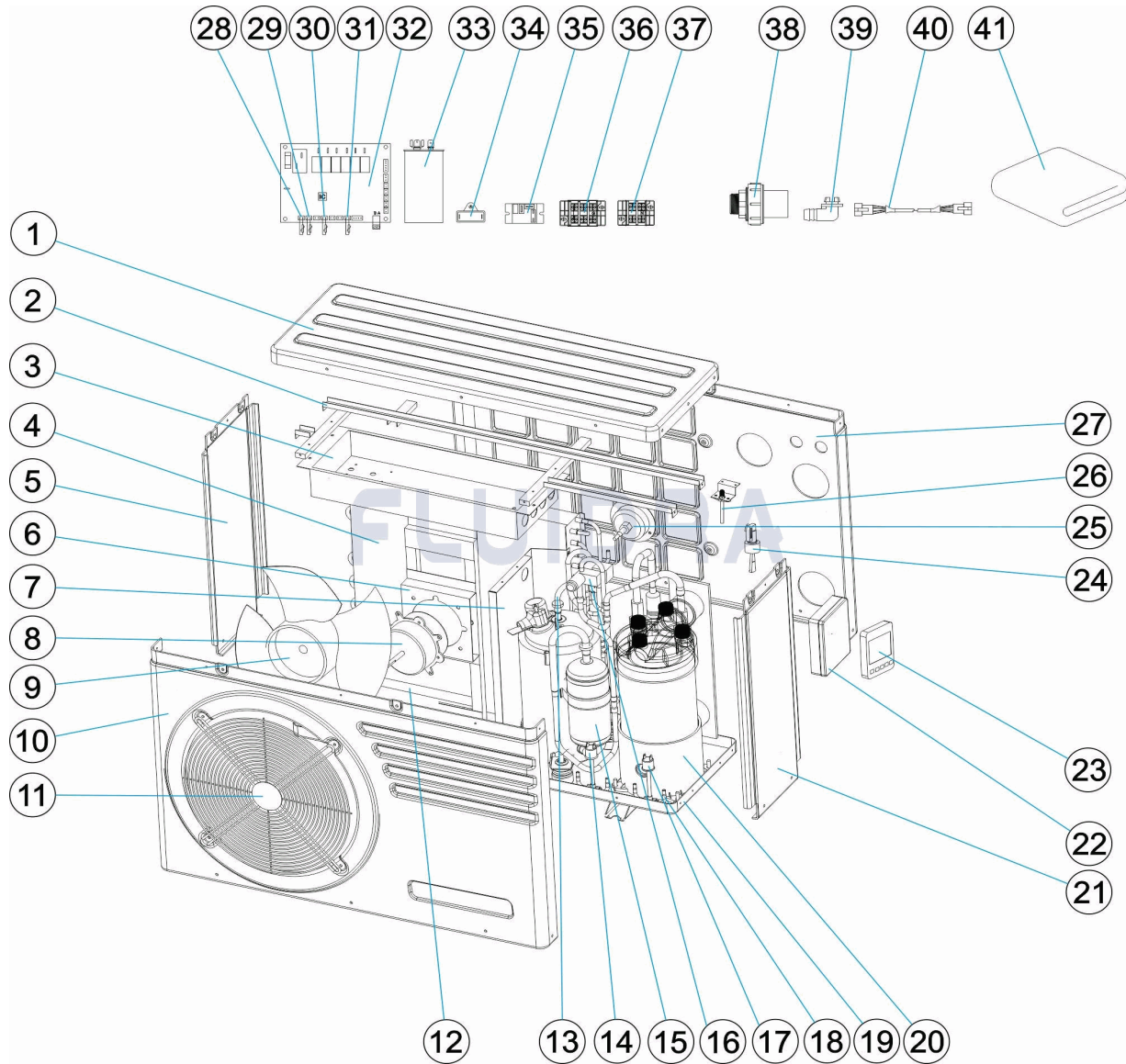


CODIGO **66069-R32**

DESCRIPCION: **BOMBA DE CALOR EVOLINE 6 R32**



ESPAÑOL

POS	CODIGO	DESCRIPCION	CANTIDAD	POS	CODIGO	DESCRIPCION	CANTIDAD
1	66069R0001	TAPA SUPERIOR ABS		16	66069R0013	VÁLVULA DE 4 VÍAS	
2	66069R0002	SOPORTE PARA TAPA SUPERIOR		17	66069R0032	INTERRUPTOR BAJA PRESIÓN	
3	66069R0043	CAJA ELECTRICA		18	66069R0015	TUBERÍAS PARA PRESOSTATO	
4	66069R0044	EVAPORADOR		19	66069R0014	PANEL INFERIOR	
5	66069R0005	PANEL IZQUIERDO ABS		20	66069R0047	INTERCAMBIADOR DE TITANIO	
6	66069R0006	SOPORTE PARA VENTILADOR MOTOR		21	66069R0017	PANEL DERECHO ABS	
7	66069R0007	PANEL PARTICIÓN		22	66069R0040	CAJA PROTECCIÓN PARA PANTALLA	
8	66069R0045	MOTOR VENTILADOR		23	66069R0048	CONTROLADOR PANTALLA LED	
9	66069R0009	ASPAS VENTILADOR		24	66069R0030	FLUJOSTATO	
10	66069R0010	PANEL FRONTAL ABS		25	66069R0050	MANÓMETRO	
11	66069R0011	REJILLA VENTILADOR		26	66069R0022	VÁLVULA PARA VACIADO/RELLENO	
12	66069R0039	RESISTENCIA DESHIELO		27	66069R0020	PANEL POSTERIOR ABS	
13	66069R0049	TUBERÍAS PARA INTERCAMBIADOR		28	* 66069R0054	SENSOR TEMPERATURA L=1200	

*** NOTA OBSERVACIONES**

CODIGO **66069-R32**

DESCRIPCION: **BOMBA DE CALOR EVOLINE 6 R32**

14	66069R0031	INTERRUPTOR ALTA PRESIÓN	29	* 66069R0055	SENSOR TEMP (L=1200 COBRE C-NEGRO)
15	66069R0046	COMPRESOR	30	* 66069R0057	SENSOR TEMPERATURA L=800
31	* 66069R0056	SENSOR TEMP (L=1200 COBRE C-VERDE)	37	66069R0053	TERMINAL PARA BOMBA
32	66069R0051	PLACA BASE PCB	38	66069R0041	CONECTOR DE AGUA
33	66069R0261	CONDENSADOR COMPRESOR	39	66069R0042	PURGA AGUA CONDENSACIÓN
34	66069R0025	CONDENSADOR VENTILADOR (2UF)	40	66069R0058	EXTENSIÓN CABLE PARA PANTALLA (10M)
35	66069R0027	RELÉ PARA COMPRESOR	41	ACXXPR1001	FUNDA HIBERNAL EV6/AC6/ST6/MD1
36	66069R0052	TERMINAL DE POTENCIA			

CODIGO **66069-R32**

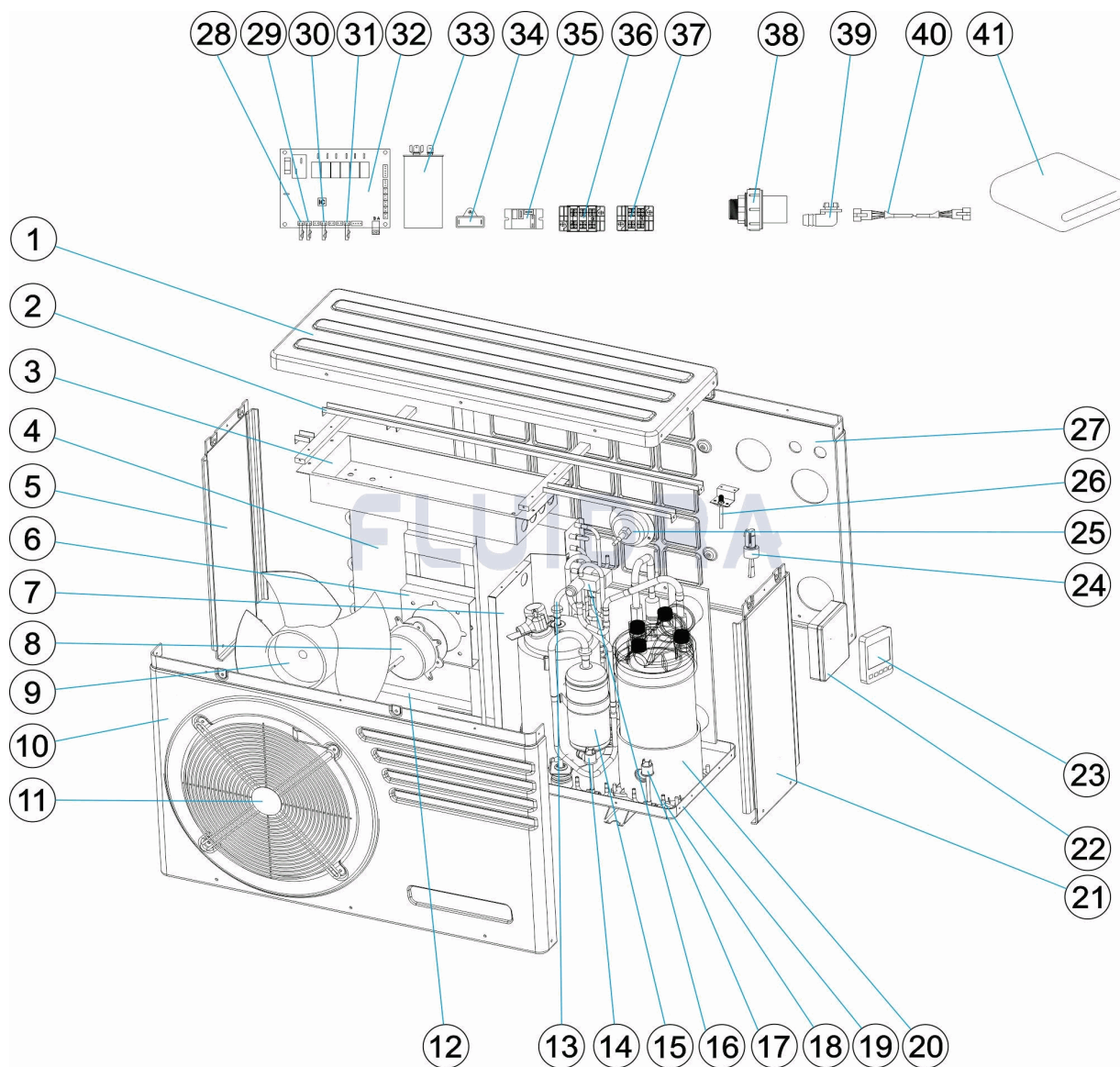
DESCRIPCION: **BOMBA DE CALOR EVOLINE 6 R32**

OBSERVACIONES

POS	CODIGO	OBSERVACIONES
28	* 66069R0054	PARA: INLET WATER
29	* 66069R0055	PARA: OUTLET WATER
30	* 66069R0057	PARA: AIR
31	* 66069R0056	PARA: EVAPORATOR

CODE 66069-R32

DESCRIPTION: POMPE À CHALEUR EVOLINE 6 R32



FRANCAIS

POS	CODE	DESCRIPTION	QUANTITE	POS	CODE	DESCRIPTION	QUANTITE
1	66069R0001	COUVERCLE SUPÉRIEUR ABS		16	66069R0013	VANNE 4 VOIES	
2	66069R0002	SUPPORT POUR COUVERCLE SUPÉRIEUR		17	66069R0032	INTERRUPTEUR BASSE PRESSION	
3	66069R0043	BOÎTIER ÉLECTRIQUE		18	66069R0015	TUYAUTERIES POUR PRESSOSTAT	
4	66069R0044	ÉVAPORATEUR		19	66069R0014	PANNEAU INFÉRIEUR	
5	66069R0005	PANNEAU GAUCHE ABS		20	66069R0047	ÉCHANGEUR EN TITANE	
6	66069R0006	SUPPORT POUR VENTILATEUR MOTEUR		21	66069R0017	PANNEAU DROIT ABS	
7	66069R0007	PANNEAU SÉPARATION		22	66069R0040	BOÎTIER PROTECTION POUR ÉCRAN	
8	66069R0045	MOTEUR VENTILATEUR		23	66069R0048	CONTRÔLEUR ÉCRAN LED	
9	66069R0009	PALES VENTILATEUR		24	66069R0030	FLUXOSTAT	
10	66069R0010	PANNEAU FRONTAL ABS		25	66069R0050	MANOMÈTRE	
11	66069R0011	GRILLE VENTILATEUR		26	66069R0022	VANNE DE VIDANGE/REPLISSAGE	
12	66069R0039	RÉSISTANCE DÉGEL		27	66069R0020	PANNEAU POSTÉRIEUR ABS	
13	66069R0049	TUYAUTERIES POUR ÉCHANGEUR		28	* 66069R0054	CAPTEUR TEMPÉRATURE L=1200	

* VOIR FICHE D'OBSERVATIONS

CODE **66069-R32**

DESCRIPTION: **POMPE À CHALEUR EVOLINE 6 R32**

14	66069R0031	INTERRUPTEUR HAUTE PRESSION	29	* 66069R0055	CAPTEUR TEMPÉRATURE L=1200
15	66069R0046	COMPRESSEUR	30	* 66069R0057	CAPTEUR TEMPÉRATURE L=800
31	* 66069R0056	CAPTEUR TEMPÉRATURE L=1200	37	66069R0053	BORNE POUR POMPE
32	66069R0051	PLAQUE BASE PCB	38	66069R0041	RACCORD EAU
33	66069R0261	CONDENSATEUR COMPRESSEUR	39	66069R0042	PURGE EAU CONDENSATION
34	66069R0025	CONDENSATEUR VENTILATEUR (2UF)	40	66069R0058	RALLONGE CÂBLE POUR ÉCRAN (10 M)
35	66069R0027	RELAIS POUR COMPRESSEUR	41	ACXXPR1001	COUVERTURE D'HIVERNAGE EV6/AC6/ST6
36	66069R0052	BORNE DE PUISSANCE			

CODE **66069-R32**

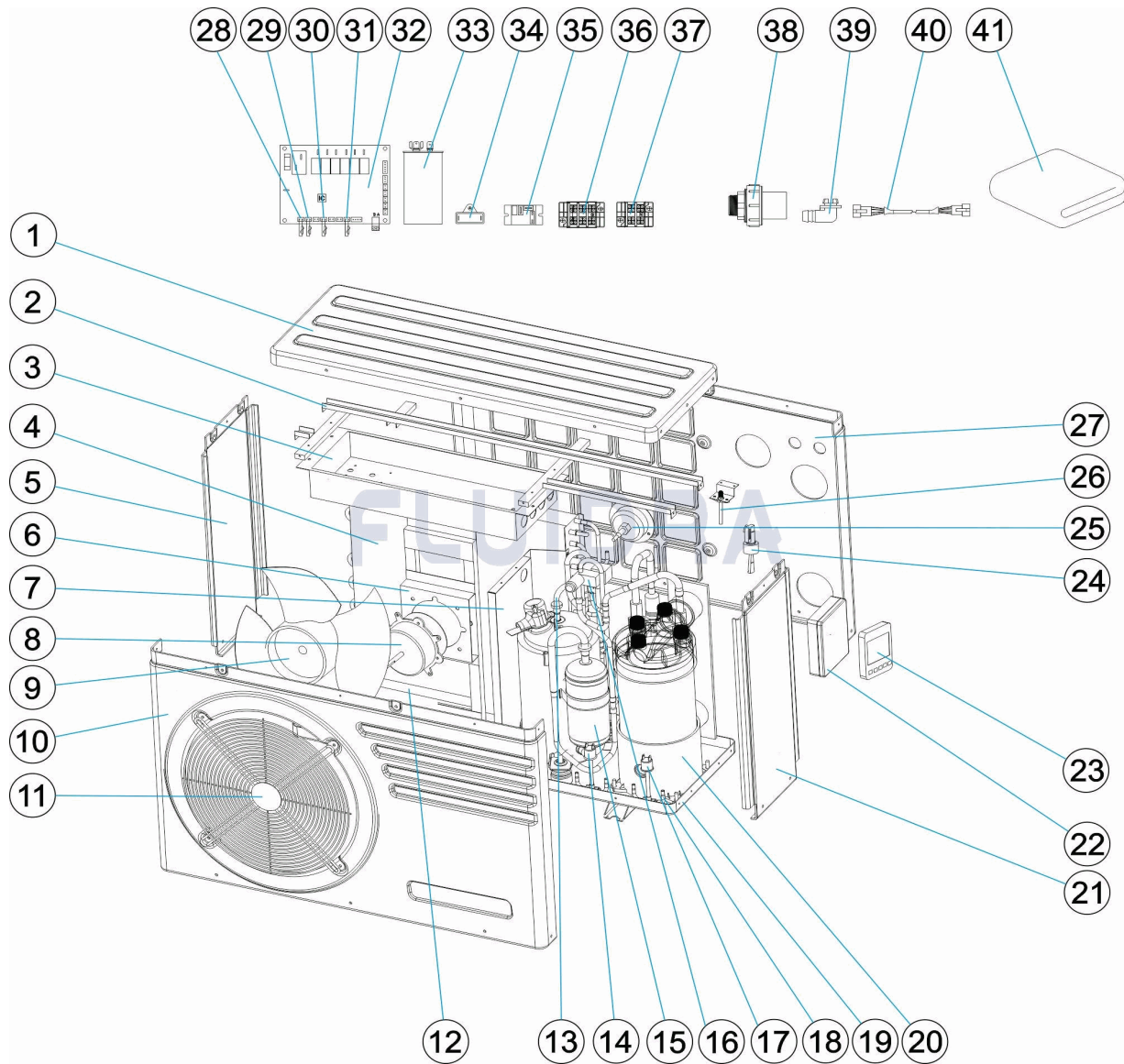
DESCRIPTION: **POMPE À CHALEUR EVOLINE 6 R32**

OBSERVATIONS

POS	CODE	OBSERVATIONS
28	* 66069R0054	POUR: INLET WATER
29	* 66069R0055	POUR: OUTLET WATER
30	* 66069R0057	POUR: AIR
31	* 66069R0056	POUR: EVAPORATOR

CODE **66069-R32**

DESCRIPTION: **HEAT PUMP EVOLINE 6 R32**



ENGLISH

POS	CODE	DESCRIPTION	QUANTITY	POS	CODE	DESCRIPTION	QUANTITY
1	66069R0001	TOP CAP ABS		16	66069R0013	4-WAY VALVE	
2	66069R0002	TOP CAP HOLDER		17	66069R0032	LOW PRESSURE SWITCH	
3	66069R0043	ELECTRIC BOX		18	66069R0015	PIPEWORK FOR PRESSURE SWITCH	
4	66069R0044	EVAPORATOR		19	66069R0014	BOTTOM PANEL	
5	66069R0005	LEFT PANEL ABS		20	66069R0047	TITANIUM HEAT EXCHANGER	
6	66069R0006	FAN MOTOR HOLDER		21	66069R0017	RIGHT PANEL ABS	
7	66069R0007	PARTITION PANEL		22	66069R0040	PROTECTION BOX FOR DISPLAY	
8	66069R0045	FAN MOTOR		23	66069R0048	LED DISPLAY CONTROLLER	
9	66069R0009	FAN BLADE		24	66069R0030	WATER FLOW SWITCH	
10	66069R0010	FRONT PANEL ABS		25	66069R0050	MANOMETER	
11	66069R0011	FAN GUARD		26	66069R0022	VALVE FOR VACUUM & FILLING	
12	66069R0039	BOTTOM HEATER FOR EVAPORATOR		27	66069R0020	BACK PANEL ABS	
13	66069R0049	PIPEWORK FOR HEAT EXCHANGER		28	* 66069R0054	TEMP SENSOR (L=1200 COPPER C-RED)	

*** SEE OBSERVATIONS SHEET**

CODE **66069-R32**

DESCRIPTION: **HEAT PUMP EVOLINE 6 R32**

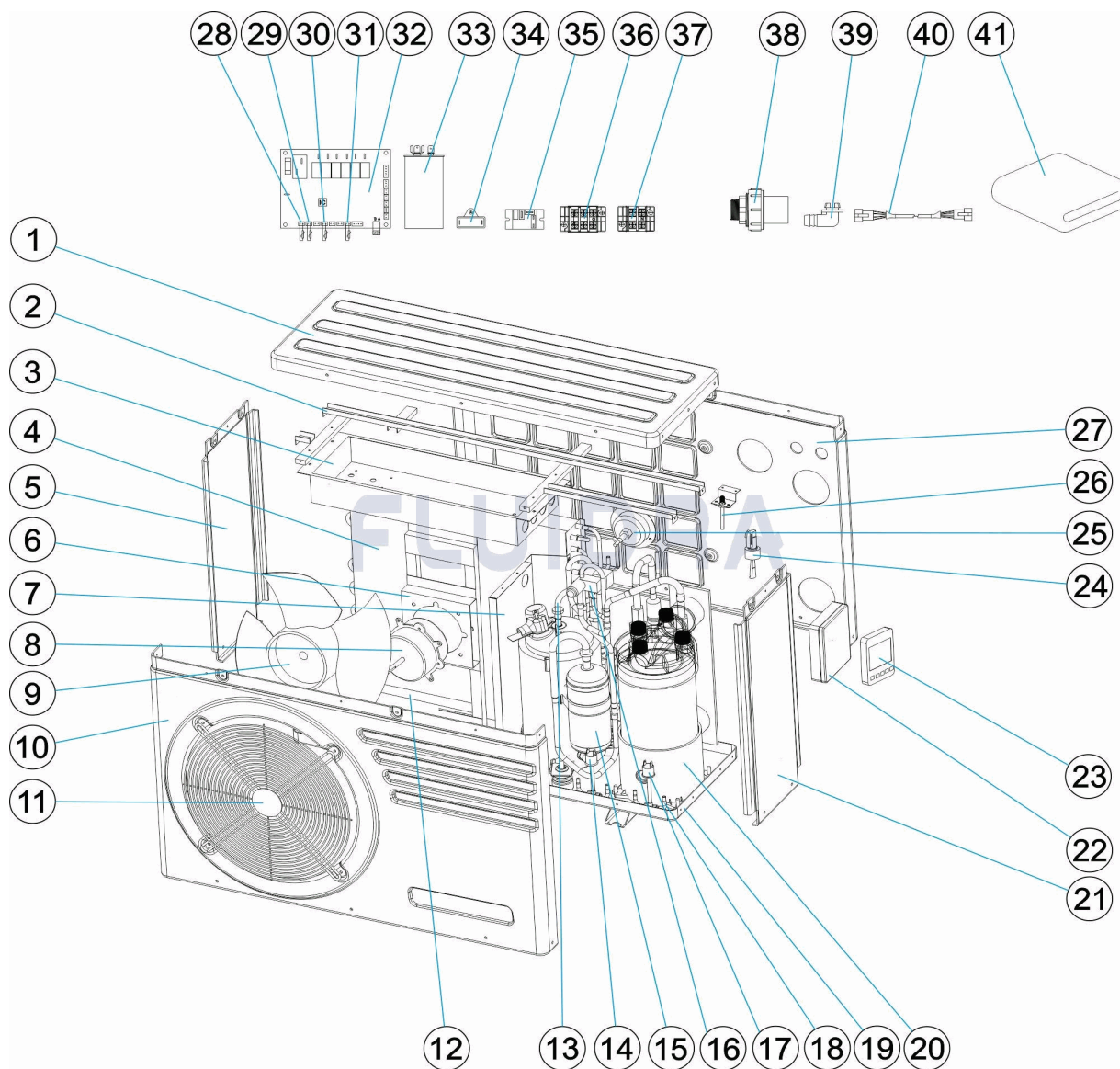
14	66069R0031	HIGH PRESSURE SWITCH	29	* 66069R0055	TEMP SENSOR (L=1200 COPPER C-BLACK)
15	66069R0046	COMPRESSOR	30	* 66069R0057	TEMP SENSOR (L=800 PLASTIC C-WHITE)
31	* 66069R0056	TEMP SENSOR (L=1200 COPPER C-GREEN)	37	66069R0053	PUMP TERMINAL
32	66069R0051	PCB MOTHER BOARD	38	66069R0041	WATER CONNECTOR
33	66069R0261	COMPRESSOR CAPACITOR	39	66069R0042	WATER CONDENSATION PURGE
34	66069R0025	FAN CAPACITOR (2UF)	40	66069R0058	EXTENSION CABLE FOR DISPLAY (10M)
35	66069R0027	RELAY/CONTACTOR FOR COMPRESSOR	41	ACXXPR1001	WINTER COVER EV6/AC6/ST6/MD1
36	66069R0052	POWER TERMINAL			

CODE **66069-R32**DESCRIPTION: **HEAT PUMP EVOLINE 6 R32****OBSERVATIONS**

POS	CODE	OBSERVATIONS
28	* 66069R0054	FOR: INLET WATER
29	* 66069R0055	FOR: OUTLET WATER
30	* 66069R0057	FOR: AIR
31	* 66069R0056	FOR: EVAPORATOR

CODICE 66069-R32

DESCRIZIONE: POMPA DI CALORE EVOLINE 6 R32



ITALIANO

POS	CODICE	DESCRIZIONE	QUANTITA'	POS	CODICE	DESCRIZIONE	QUANTITA'
1	66069R0001	COPERCHIO SUPERIORE ABS		16	66069R0013	VALVOLA A 4 VIE	
2	66069R0002	SUPPORTO PER COPERCHIO SUPERIORE		17	66069R0032	INTERRUTTORE BASSA PRESSIONE	
3	66069R0043	SCATOLA DI DERIVAZIONE		18	66069R0015	TUBAZIONE PER PRESSOSTATO	
4	66069R0044	EVAPORATORE		19	66069R0014	PANNELLO INFERIORE	
5	66069R0005	PANNELLO SINISTRO ABS		20	66069R0047	INTERCAMBIATORE IN TITANIO	
6	66069R0006	SUPPORTO PER VENTILATORE MOTORE		21	66069R0017	PANNELLO DESTRO ABS	
7	66069R0007	PANNELLO PARTIZIONE		22	66069R0040	SCATOLA PROTETTIVA PER SCHERMO	
8	66069R0045	MOTORE VENTILATORE		23	66069R0048	CONTROLLER SCHERMO LED	
9	66069R0009	PALE VENTILATORE		24	66069R0030	FLUSSOSTATO	
10	66069R0010	PANNELLO FRONTALE ABS		25	66069R0050	MANOMETRO	
11	66069R0011	GRIGLIA VENTILATORE		26	66069R0022	VALVOLA DI SVUOTAMENTO/RIEMPIMENTC	
12	66069R0039	RESISTENZA DISGELO		27	66069R0020	PANNELLO POSTERIORE ABS	
13	66069R0049	TUBAZIONE PER INTERCAMBIATORE		28	* 66069R0054	SENSORE TEMPERATURA L=1200	

* SI FACCIA RIFERIMENTO AL FOGLIO DELLE OSSERVAZIONI

CODICE **66069-R32**

DESCRIZIONE: **POMPA DI CALORE EVOLINE 6 R32**

14	66069R0031	INTERRUTTORE ALTA PRESSIONE	29	* 66069R0055	SENSORE TEMPERATURA L=1200
15	66069R0046	COMPRESSORE	30	* 66069R0057	SENSORE TEMPERATURA L=800
31	* 66069R0056	SENSORE TEMPERATURA L=1200	37	66069R0053	TERMINALE PER POMPA
32	66069R0051	SCHEDA BASE PCB	38	66069R0041	CONNETTORE ACQUA
33	66069R0261	CONDENSATORE COMPRESSORE	39	66069R0042	SCARICO ACQUA CONDENSAZIONE
34	66069R0025	CONDENSATORE VENTILATORE (2UF)	40	66069R0058	ESTENSIONE CAVO PER SCHERMO (10M)
35	66069R0027	RELÈ PER COMPRESSORE	41	ACXXPR1001	COPERTA DI INVERNO EV6/AC6/ST6/MD1
36	66069R0052	TERMINALE DI POTENZA			

CODICE 66069-R32

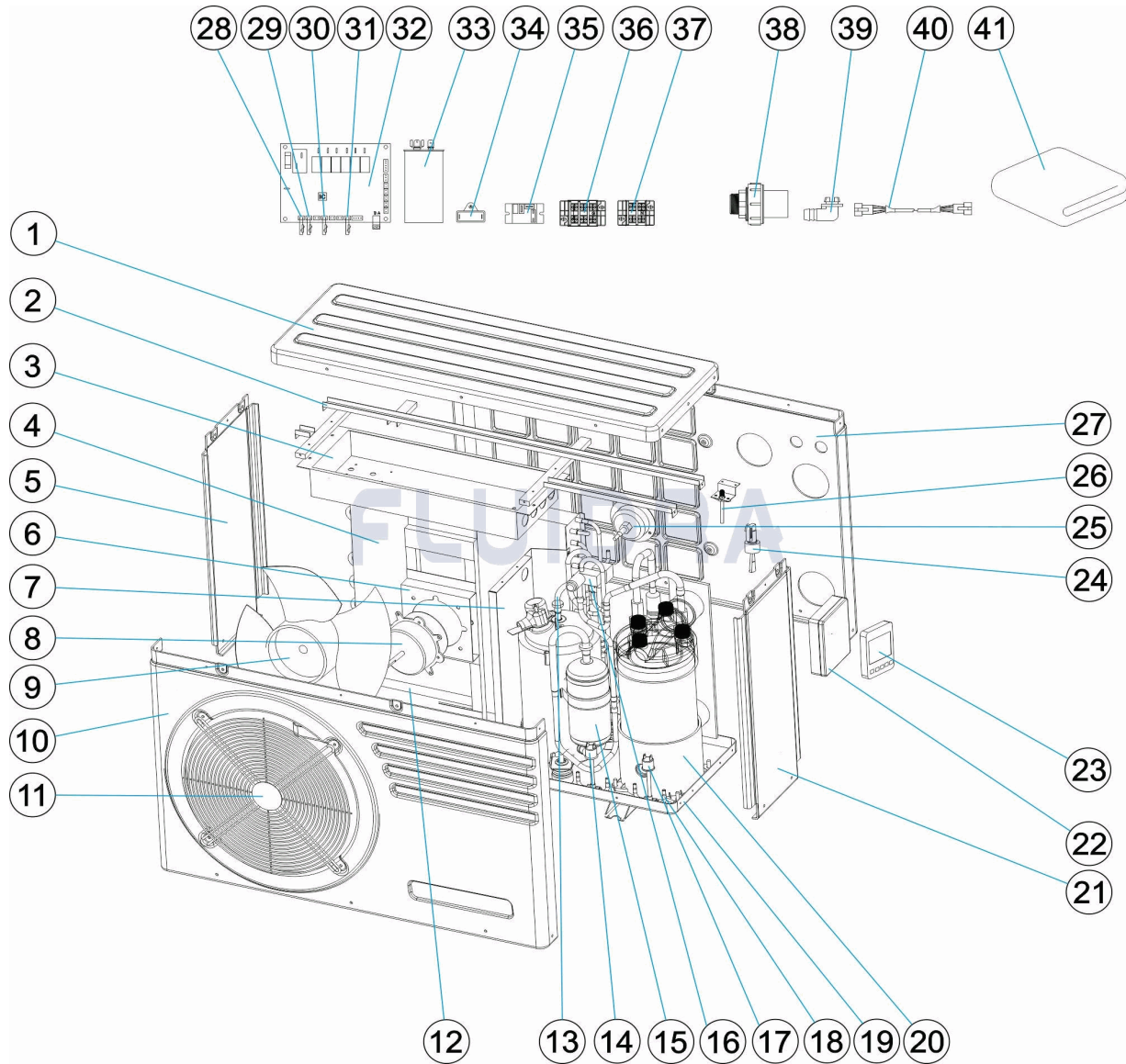
DESCRIZIONE: POMPA DI CALORE EVOLINE 6 R32

OSSERVAZIONI

POS	CODICE	OSSERVAZIONI
28	* 66069R0054	PER: INLET WATER
29	* 66069R0055	PER: OUTLET WATER
30	* 66069R0057	PER: AIR
31	* 66069R0056	PER: EVAPORATOR

CODE **66069-R32**

BESCHREIBUNG: **WÄRMEPUMPE EVOLINE 6 R32**



DEUTSCH

POS	CODE	BESCHREIBUNG	MENGE	POS	CODE	BESCHREIBUNG	MENGE
1	66069R0001	ABDECKUNG OBEN ABS		16	66069R0013	4-WEGE-VENTIL	
2	66069R0002	HALTERUNG FÜR ABDECKUNG OBEN		17	66069R0032	SCHALTER TIEFDRUCK	
3	66069R0043	ELEKTRONIKSCHRANK		18	66069R0015	VERROHRUNG DRUCKSCHALTER	
4	66069R0044	VERDAMPFER		19	66069R0014	UNTERPLATTE	
5	66069R0005	PLATTE LINKS ABS		20	66069R0047	WÄRMEÜBERTRAGER TITANIUM	
6	66069R0006	HALTERUNG MOTORVENTILATOR		21	66069R0017	PLATTE RECHTS ABS	
7	66069R0007	ZWISCHENPLATTE		22	66069R0040	SCHUTZSCHRANK FÜR DISPLAY	
8	66069R0045	VENTILATORMOTOR		23	66069R0048	DRIVER LED DISPLAY	
9	66069R0009	ROTORBLÄTTER VENTILATOR		24	66069R0030	DURCHFLUSSMESSER	
10	66069R0010	FRONTPLATTE ABS		25	66069R0050	MANOMETER	
11	66069R0011	VENTILATORGITTER		26	66069R0022	VENTIL BEFÜLLUNG/ENTLEERUNG	
12	66069R0039	HEIZSTAB ENTEISER		27	66069R0020	PLATTE HINTEN ABS	
13	66069R0049	VERROHRUNG WÄRMEÜBERTRAGER		28	* 66069R0054	TEMPERATURFÜHLER L=1200	

* SIEHE ANMERKUGSBLATT

CODE **66069-R32**

BESCHREIBUNG: **WÄRMEPUMPE EVOLINE 6 R32**

14	66069R0031	SCHALTER HOCHDRUCK	29	* 66069R0055	TEMPERATURFÜHLER L=1200
15	66069R0046	KOMPRESSOR	30	* 66069R0057	TEMPERATURFÜHLER L=800
31	* 66069R0056	TEMPERATURFÜHLER L=1200	37	66069R0053	ANSCHLUSS FÜR PUMPE
32	66069R0051	BASISPLATTE PCB	38	66069R0041	ANSCHLUSS WASSER
33	66069R0261	KOMPRESSORKONDENSATOR	39	66069R0042	ABLASS KONDENSWASSER
34	66069R0025	VENTILATORKONDENSATOR (2 UF)	40	66069R0058	VERLÄNGERUNGSKABEL DISPLAY (10 M)
35	66069R0027	KOMPRESSORRELAIS	41	ACXXPR1001	WINTERDECKEL EV6/AC6/ST6/MD1
36	66069R0052	ANSCHLUSS			

CODE **66069-R32**

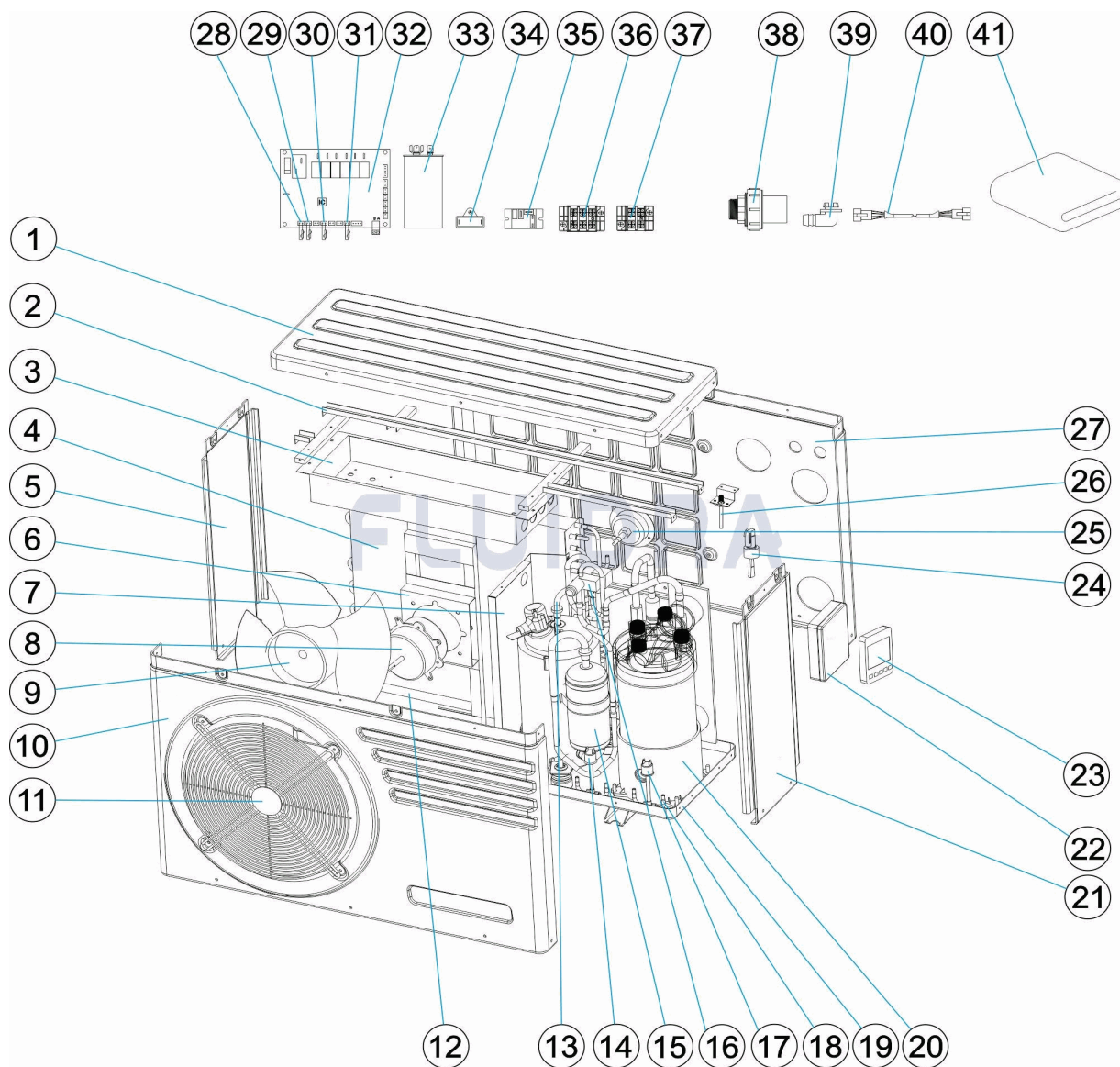
BESCHREIBUNG: **WÄRMEPUMPE EVOLINE 6 R32**

HINWEISE

POS	CODE	HINWEISE
28	* 66069R0054	FÜR: INLET WATER
29	* 66069R0055	FÜR: OUTLET WATER
30	* 66069R0057	FÜR: AIR
31	* 66069R0056	FÜR: EVAPORATOR

CODIGO **66069-R32**

DESCRICÃO: **BOMBA DE CALOR EVOLINE 6 R32**



PORTUGUES

POS	CODIGO	DESCRICÃO	JANTIDADE	POS	CODIGO	DESCRICÃO	JANTIDADE
1	66069R0001	TAMPA SUPERIOR ABS		16	66069R0013	VÁLVULA DE 4 VIAS	
2	66069R0002	SUPORTE PARA TAMPA SUPERIOR		17	66069R0032	INTERRUPTOR BAIXA PRESSÃO	
3	66069R0043	CAIXA ELÉTRICA		18	66069R0015	TUBAGENS PARA PRESSÓSTATO	
4	66069R0044	EVAPORADOR		19	66069R0014	PAINEL INFERIOR	
5	66069R0005	PAINEL ESQUERDO ABS		20	66069R0047	PERMUTADOR DE TITÂNIO	
6	66069R0006	SUPORTE PARA VENTILADOR MOTOR		21	66069R0017	PAINEL DIREITO ABS	
7	66069R0007	PAINEL PARTIÇÃO		22	66069R0040	CAIXA PROTEÇÃO PARA ECRÃ	
8	66069R0045	MOTOR VENTILADOR		23	66069R0048	CONTROLADOR DE ECRÃ LED	
9	66069R0009	PÁS VENTILADOR		24	66069R0030	COMUTADOR DO CAUDAL DA ÁGUA	
10	66069R0010	PAINEL FRONTAL ABS		25	66069R0050	MANÓMETRO	
11	66069R0011	GRADE VENTILADOR		26	66069R0022	VÁLVULA PARA ESVAZIAR/ENCHER	
12	66069R0039	RESISTÊNCIA DESCONGELAÇÃO		27	66069R0020	PAINEL POSTERIOR ABS	
13	66069R0049	TUBAGENS PARA PERMUTADOR		28	* 66069R0054	SENSOR TEMPERATURA L=1200	

*** VEJA A FICHA DE OBSERVAÇÕES**

CODIGO **66069-R32**

DESCRIÇÃO: **BOMBA DE CALOR EVOLINE 6 R32**

14	66069R0031	INTERRUPTOR ALTA PRESSÃO	29	* 66069R0055	SENSOR TEMPERATURA L=1200
15	66069R0046	COMPRESSOR	30	* 66069R0057	SENSOR TEMPERATURA L=800
31	* 66069R0056	SENSOR TEMPERATURA L=1200	37	66069R0053	TERMINAL PARA BOMBA
32	66069R0051	PLACA BASE PCB	38	66069R0041	TOMADA DE ABASTECIMENTO DE ÁGUA
33	66069R0261	CONDENSADOR COMPRESSOR	39	66069R0042	PURGA ÁGUA CONDENSAÇÃO
34	66069R0025	CONDENSADOR VENTILADOR (2UF)	40	66069R0058	EXTENSÃO CABO PARA ECRÃ (10M)
35	66069R0027	RELÉ PARA COMPRESSOR	41	ACXXPR1001	COBERTURA DE INVERNO EV6/AC6/ST6/MI
36	66069R0052	TERMINAL DE POTÊNCIA			

CODIGO **66069-R32**

DESCRIÇÃO: **BOMBA DE CALOR EVOLINE 6 R32**

OBSERVAÇÕES

POS	CODIGO	OBSERVAÇÕES
28	* 66069R0054	PARA: INLET WATER
29	* 66069R0055	PARA: OUTLET WATER
30	* 66069R0057	PARA: AIR
31	* 66069R0056	PARA: EVAPORATOR