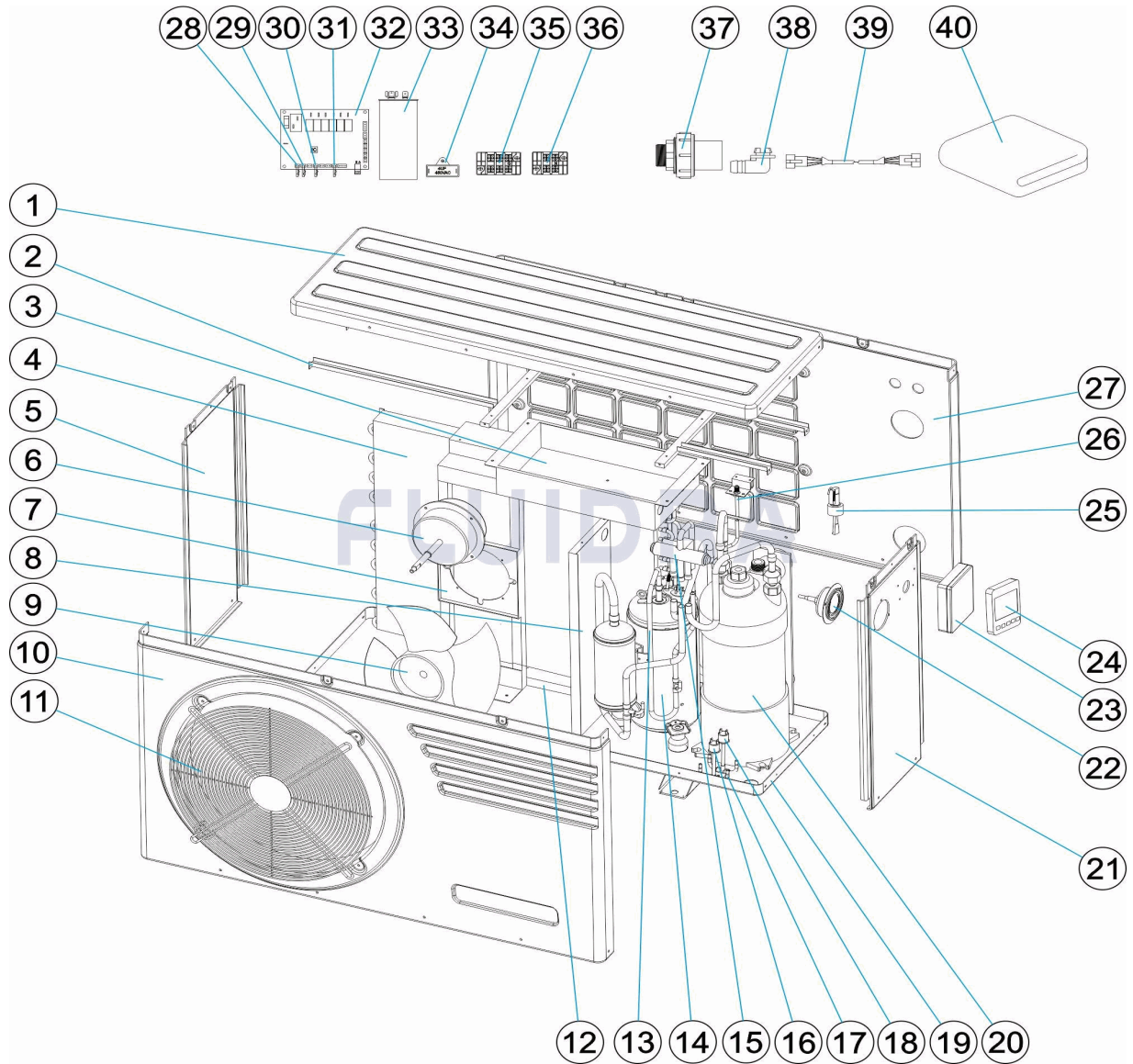


CODIGO **67405-R32**

DESCRIPCION: **BOMBA DE CALOR EVOLINE 17 R32**



ESPAÑOL

POS	CODIGO	DESCRIPCION	CANTIDAD	POS	CODIGO	DESCRIPCION	CANTIDAD
1	66073R0001	TAPA SUPERIOR ABS		16	66069R0032	INTERRUPTOR BAJA PRESIÓN	
2	66073R0002	SOPORTE PARA TAPA SUPERIOR		17	66069R0015	TUBERÍAS PARA PRESOSTATO	
3	67405R0020	CAJA ELECTRICA		18	66069R0031	INTERRUPTOR ALTA PRESIÓN	
4	67405R0021	EVAPORADOR		19	67405R0014	PANEL INFERIOR	
5	66073R0005	PANEL IZQUIERDO ABS		20	67405R0024	INTERCAMBIADOR DE TITANIO	
6	67405R0022	MOTOR VENTILADOR		21	66073R0017	PANEL DERECHO ABS	
7	67405R0006	SOPORTE PARA VENTILADOR MOTOR		22	66069R0050	MANÓMETRO	
8	66073R0007	PANEL PARTICIÓN		23	66069R0040	CAJA PROTECCIÓN PARA PANTALLA	
9	67405R0009	ASPAS VENTILADOR		24	66069R0048	CONTROLADOR PANTALLA LED	
10	67405R0010	PANEL FRONTAL ABS		25	66069R0030	FLUJOSTATO	
11	67405R0011	REJILLA VENTILADOR		26	66069R0022	VÁLVULA PARA VACIADO/RELLENO	
12	66069R0039	RESISTENCIA DESHIELO		27	66073R0020	PANEL POSTERIOR ABS	
13	66069R0313	TUBERÍAS PARA INTERCAMBIADOR		28	* 66069R0054	SENSOR TEMPERATURA L=1200	

*** NOTA OBSERVACIONES**

CODIGO **67405-R32**

DESCRIPCION: **BOMBA DE CALOR EVOLINE 17 R32**

14	67405R0023	COMPRESOR	29	* 66069R0055	SENSOR TEMP (L=1200 COBRE C-NEGRO)
15	66069R0310	VÁLVULA DE 4 VÍAS	30	* 66069R0057	SENSOR TEMPERATURA L=800
31	* 66069R0056	SENSOR TEMP (L=1200 COBRE C-VERDE)	36	66069R0053	TERMINAL PARA BOMBA
32	66069R0051	PLACA BASE PCB	37	66069R0041	CONECTOR DE AGUA
33	66071R0032	CONDENSADOR COMPRESOR	38	66069R0042	PURGA AGUA CONDENSACIÓN
34	66071R0025	CONDENSADOR VENTILADOR (4UF)	39	66069R0058	EXTENSIÓN CABLE PARA PANTALLA (10M)
35	66069R0052	TERMINAL DE POTENCIA	40	ACXXPR1004	FUNDA HIBERNAL EV17-20/AC17-20/ST15/N

CODIGO 67405-R32

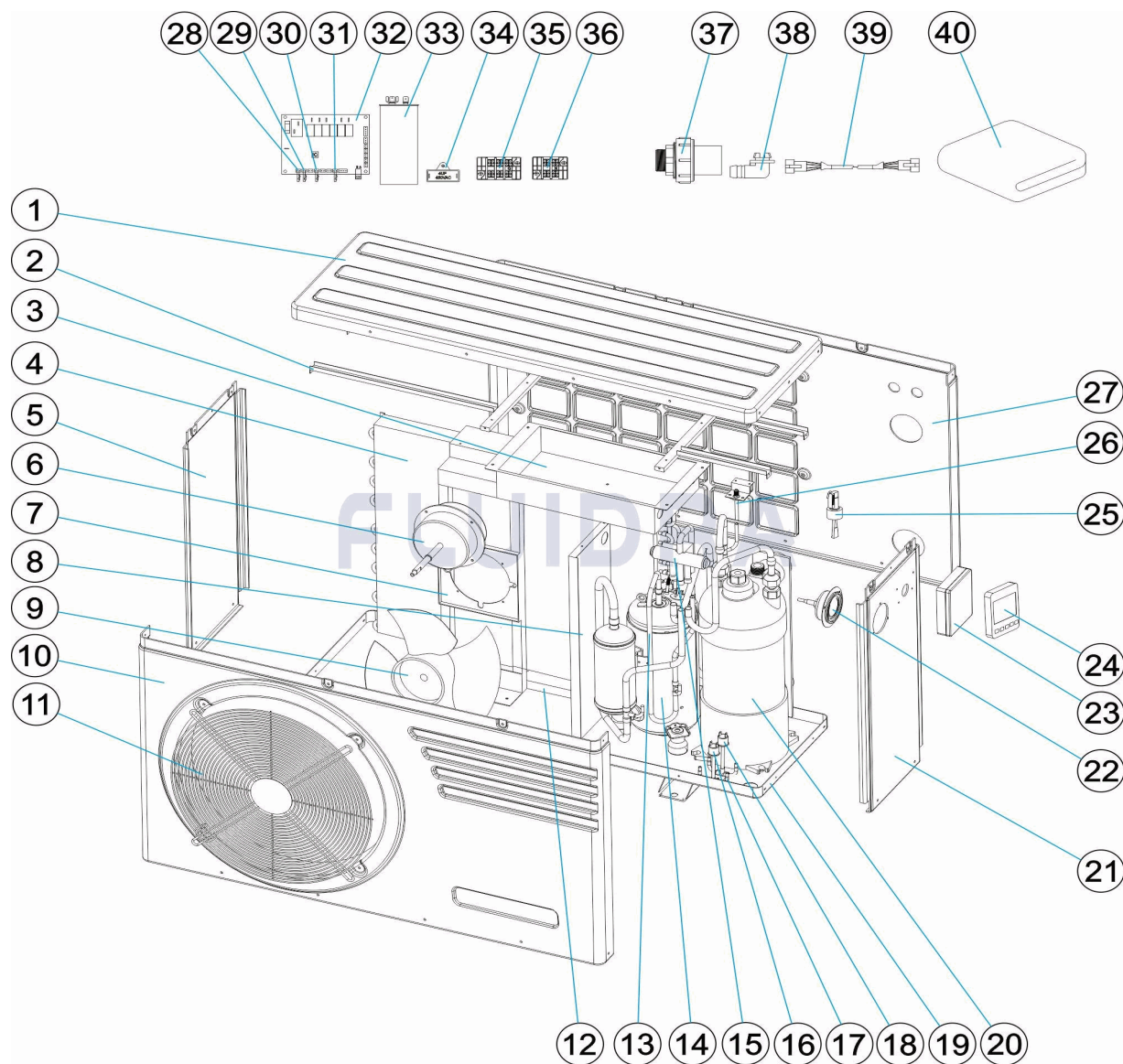
DESCRIPCION: BOMBA DE CALOR EVOLINE 17 R32

OBSERVACIONES

POS	CODIGO	OBSERVACIONES
28	* 66069R0054	PARA: INLET WATER
29	* 66069R0055	PARA: OUTLET WATER
30	* 66069R0057	PARA: AIR
31	* 66069R0056	PARA: EVAPORATOR

CODE 67405-R32

DESCRIPTION: POMPE À CHALEUR EVOLINE 17 R32



FRANCAIS

POS	CODE	DESCRIPTION	QUANTITE	POS	CODE	DESCRIPTION	QUANTITE
1	66073R0001	COUVERCLE SUPÉRIEUR ABS		16	66069R0032	INTERRUPTEUR BASSE PRESSION	
2	66073R0002	SUPPORT POUR COUVERCLE SUPÉRIEUR		17	66069R0015	TUYAUTERIES POUR PRESSOSTAT	
3	67405R0020	BOÎTIER ÉLECTRIQUE		18	66069R0031	INTERRUPTEUR HAUTE PRESSION	
4	67405R0021	ÉVAPORATEUR		19	67405R0014	PANNEAU INFÉRIEUR	
5	66073R0005	PANNEAU GAUCHE ABS		20	67405R0024	ÉCHANGEUR EN TITANE	
6	67405R0022	MOTEUR VENTILATEUR		21	66073R0017	PANNEAU DROIT ABS	
7	67405R0006	SUPPORT POUR VENTILATEUR MOTEUR		22	66069R0050	MANOMÈTRE	
8	66073R0007	PANNEAU SÉPARATION		23	66069R0040	BOÎTIER PROTECTION POUR ÉCRAN	
9	67405R0009	PALES VENTILATEUR		24	66069R0048	CONTRÔLEUR ÉCRAN LED	
10	67405R0010	PANNEAU FRONTAL ABS		25	66069R0030	FLUXOSTAT	
11	67405R0011	GRILLE VENTILATEUR		26	66069R0022	VANNE DE VIDANGE/REMPLISSAGE	
12	66069R0039	RÉSISTANCE DÉGEL		27	66073R0020	PANNEAU POSTÉRIEUR ABS	
13	66069R0313	TUYAUTERIES POUR ÉCHANGEUR		28	* 66069R0054	CAPTEUR TEMPÉRATURE L=1200	

* VOIR FICHE D'OBSERVATIONS

CODE **67405-R32**

DESCRIPTION: **POMPE À CHALEUR EVOLINE 17 R32**

14	67405R0023	COMPRESSEUR	29	* 66069R0055	CAPTEUR TEMPÉRATURE L=1200
15	66069R0310	VANNE 4 VOIES	30	* 66069R0057	CAPTEUR TEMPÉRATURE L=800
31	* 66069R0056	CAPTEUR TEMPÉRATURE L=1200	36	66069R0053	BORNE POUR POMPE
32	66069R0051	PLAQUE BASE PCB	37	66069R0041	RACCORD EAU
33	66071R0032	CONDENSATEUR COMPRESSEUR	38	66069R0042	PURGE EAU CONDENSATION
34	66071R0025	CONDENSATEUR VENTILATEUR (4UF)	39	66069R0058	RALLONGE CÂBLE POUR ÉCRAN (10 M)
35	66069R0052	BORNE DE PUISSANCE	40	ACXXPR1004	COUVERTURE D'HIVERNAGE EV17-20/AC1'

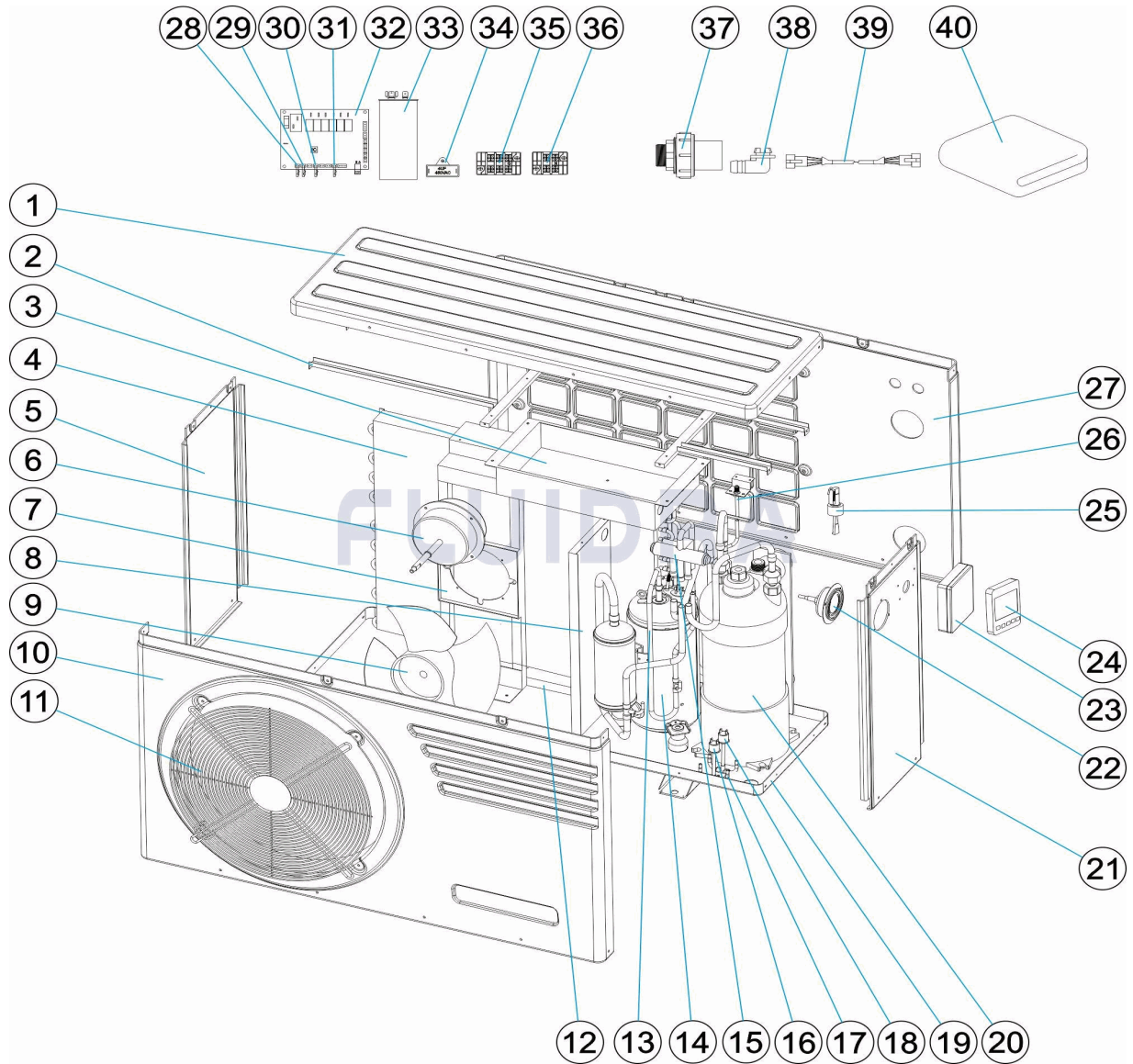
CODE **67405-R32**

DESCRIPTION: **POMPE À CHALEUR EVOLINE 17 R32**

OBSERVATIONS

POS	CODE	OBSERVATIONS
28	* 66069R0054	POUR: INLET WATER
29	* 66069R0055	POUR: OUTLET WATER
30	* 66069R0057	POUR: AIR
31	* 66069R0056	POUR: EVAPORATOR

CODE **67405-R32**
DESCRIPTION: **HEAT PUMP EVOLINE 17 R32**



ENGLISH

POS	CODE	DESCRIPTION	QUANTITY	POS	CODE	DESCRIPTION	QUANTITY
1	66073R0001	TOP CAP ABS		16	66069R0032	LOW PRESSURE SWITCH	
2	66073R0002	TOP CAP HOLDER		17	66069R0015	PIPEWORK FOR PRESSURE SWITCH	
3	67405R0020	ELECTRIC BOX		18	66069R0031	HIGH PRESSURE SWITCH	
4	67405R0021	EVAPORATOR		19	67405R0014	BOTTOM PANEL	
5	66073R0005	LEFT PANEL ABS		20	67405R0024	TITANIUM HEAT EXCHANGER	
6	67405R0022	FAN MOTOR		21	66073R0017	RIGHT PANEL ABS	
7	67405R0006	FAN MOTOR HOLDER		22	66069R0050	MANOMETER	
8	66073R0007	PARTITION PANEL		23	66069R0040	PROTECTION BOX FOR DISPLAY	
9	67405R0009	FAN BLADE		24	66069R0048	LED DISPLAY CONTROLLER	
10	67405R0010	FRONT PANEL ABS		25	66069R0030	WATER FLOW SWITCH	
11	67405R0011	FAN GUARD		26	66069R0022	VALVE FOR VACUUM & FILLING	
12	66069R0039	BOTTOM HEATER FOR EVAPORATOR		27	66073R0020	BACK PANEL ABS	
13	66069R0313	PIPEWORK FOR HEAT EXCHANGER		28	* 66069R0054	TEMP SENSOR (L=1200 COPPER C-RED)	

*** SEE OBSERVATIONS SHEET**

CODE **67405-R32**

DESCRIPTION: **HEAT PUMP EVOLINE 17 R32**

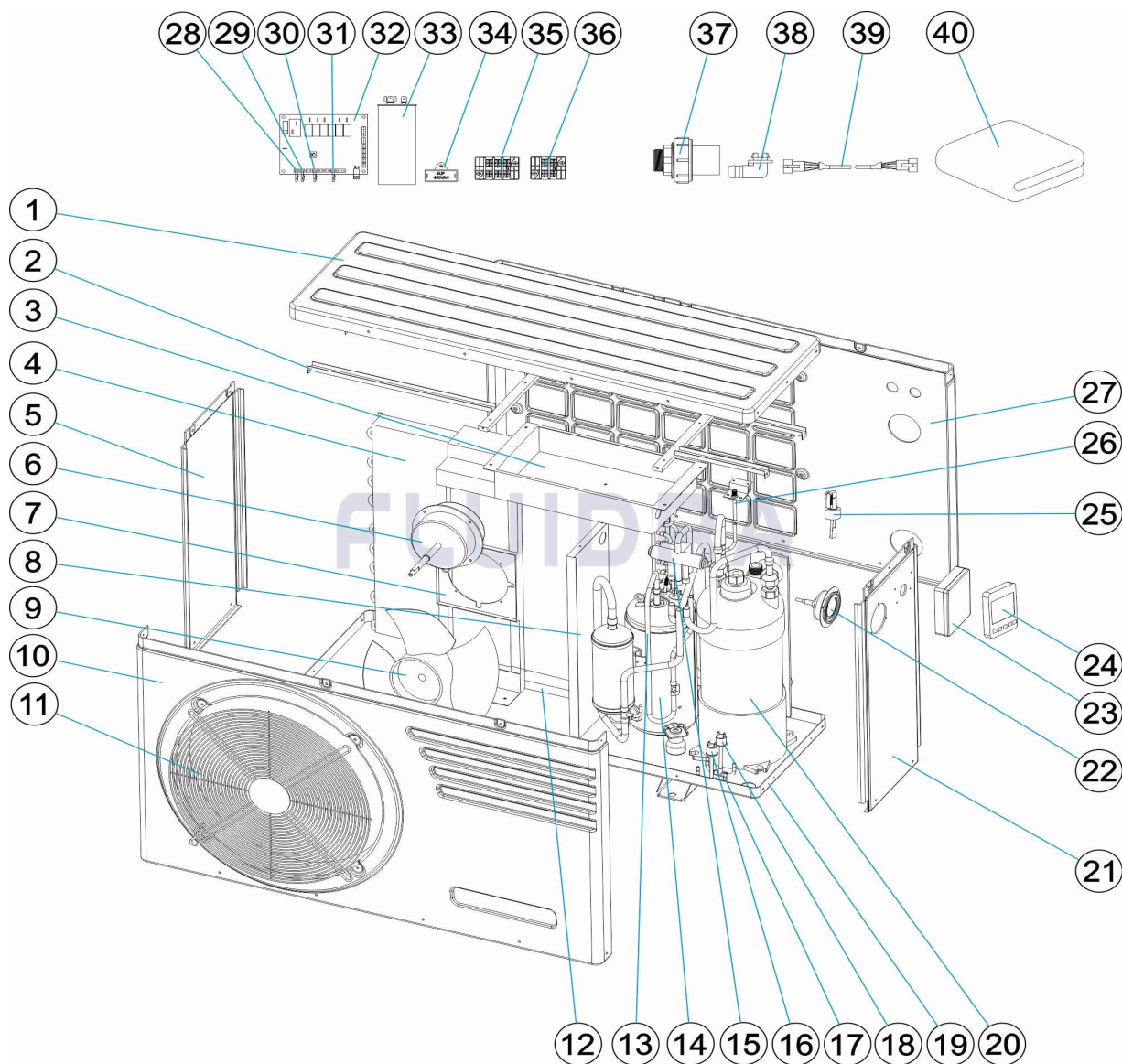
14	67405R0023	COMPRESSOR	29	* 66069R0055	TEMP SENSOR (L=1200 COPPER C-BLACK)
15	66069R0310	4-WAY VALVE	30	* 66069R0057	TEMP SENSOR (L=800 PLASTIC C-WHITE)
31	* 66069R0056	TEMP SENSOR (L=1200 COPPER C-GREEN)	36	66069R0053	PUMP TERMINAL
32	66069R0051	PCB MOTHER BOARD	37	66069R0041	WATER CONNECTOR
33	66071R0032	COMPRESSOR CAPACITOR	38	66069R0042	WATER CONDENSATION PURGE
34	66071R0025	FAN CAPACITOR (4UF)	39	66069R0058	EXTENSION CABLE FOR DISPLAY (10M)
35	66069R0052	POWER TERMINAL	40	ACXXPR1004	WINTER COVER EV17-20/AC17-20/ST15/MD

CODE **67405-R32**DESCRIPTION: **HEAT PUMP EVOLINE 17 R32****OBSERVATIONS**

POS	CODE	OBSERVATIONS
28	* 66069R0054	FOR: INLET WATER
29	* 66069R0055	FOR: OUTLET WATER
30	* 66069R0057	FOR: AIR
31	* 66069R0056	FOR: EVAPORATOR

CODICE 67405-R32

DESCRIZIONE: POMPA DI CALORE EVOLINE 17 R32



ITALIANO

POS	CODICE	DESCRIZIONE	QUANTITA'	POS	CODICE	DESCRIZIONE	QUANTITA'
1	66073R0001	COPERCHIO SUPERIORE ABS		16	66069R0032	INTERRUTTORE BASSA PRESSIONE	
2	66073R0002	SUPPORTO PER COPERCHIO SUPERIORE		17	66069R0015	TUBAZIONE PER PRESSOSTATO	
3	67405R0020	SCATOLA DI DERIVAZIONE		18	66069R0031	INTERRUTTORE ALTA PRESSIONE	
4	67405R0021	EVAPORATORE		19	67405R0014	PANNELLO INFERIORE	
5	66073R0005	PANNELLO SINISTRO ABS		20	67405R0024	INTERCAMBIATORE IN TITANIO	
6	67405R0022	MOTORE VENTILATORE		21	66073R0017	PANNELLO DESTRO ABS	
7	67405R0006	SUPPORTO PER VENTILATORE MOTORE		22	66069R0050	MANOMETRO	
8	66073R0007	PANNELLO PARTIZIONE		23	66069R0040	SCATOLA PROTETTIVA PER SCHERMO	
9	67405R0009	PALE VENTILATORE		24	66069R0048	CONTROLLER SCHERMO LED	
10	67405R0010	PANNELLO FRONTALE ABS		25	66069R0030	FLUSSOSTATO	
11	67405R0011	GRIGLIA VENTILATORE		26	66069R0022	VALVOLA DI SVUOTAMENTO/RIEMPIMENTC	
12	66069R0039	RESISTENZA DISGELO		27	66073R0020	PANNELLO POSTERIORE ABS	
13	66069R0313	TUBAZIONE PER INTERCAMBIATORE		28	* 66069R0054	SENSORE TEMPERATURA L=1200	

* SI FACCIA RIFERIMENTO AL FOGLIO DELLE OSSERVAZIONI

CODICE **67405-R32**

DESCRIZIONE: **POMPA DI CALORE EVOLINE 17 R32**

14	67405R0023	COMPRESSORE	29	* 66069R0055	SENSORE TEMPERATURA L=1200
15	66069R0310	VALVOLA A 4 VIE	30	* 66069R0057	SENSORE TEMPERATURA L=800
31	* 66069R0056	SENSORE TEMPERATURA L=1200	36	66069R0053	TERMINALE PER POMPA
32	66069R0051	SCHEDA BASE PCB	37	66069R0041	CONNETTORE ACQUA
33	66071R0032	CONDENSATORE COMPRESSORE	38	66069R0042	SCARICO ACQUA CONDENSAZIONE
34	66071R0025	CONDENSATORE VENTILATORE (4UF)	39	66069R0058	ESTENSIONE CAVO PER SCHERMO (10M)
35	66069R0052	TERMINALE DI POTENZA	40	ACXXPR1004	COPERTA DI INVERNO EV17-20/AC17-20/ST

CODICE **67405-R32**

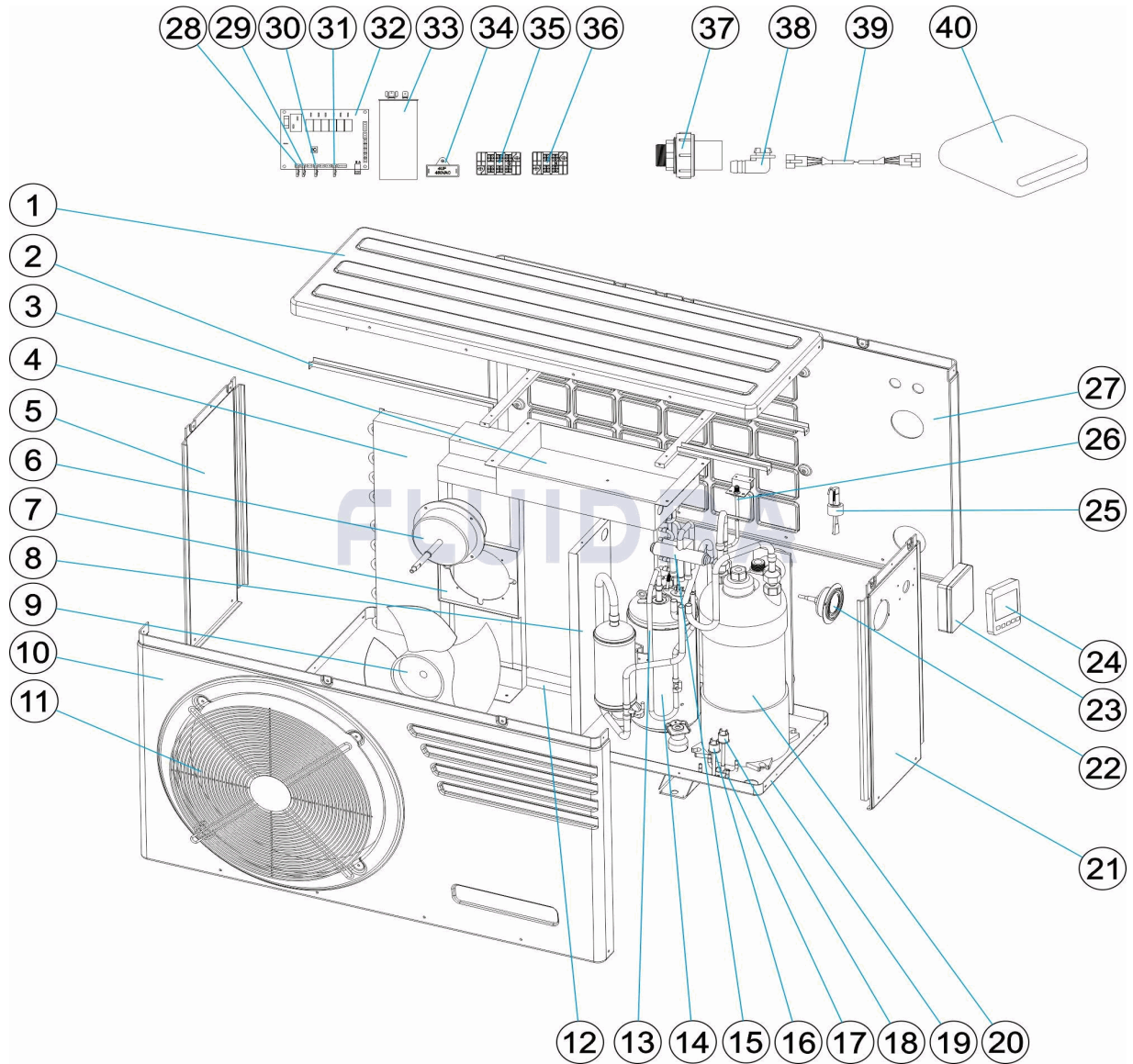
DESCRIZIONE: **POMPA DI CALORE EVOLINE 17 R32**

OSSERVAZIONI

POS	CODICE	OSSERVAZIONI
28	* 66069R0054	PER: INLET WATER
29	* 66069R0055	PER: OUTLET WATER
30	* 66069R0057	PER: AIR
31	* 66069R0056	PER: EVAPORATOR

CODE **67405-R32**

BESCHREIBUNG: **WÄRMEPUMPE EVOLINE 17 R32**



DEUTSCH

POS	CODE	BESCHREIBUNG	MENGE	POS	CODE	BESCHREIBUNG	MENGE
1	66073R0001	ABDECKUNG OBEN ABS		16	66069R0032	SCHALTER TIEFDRUCK	
2	66073R0002	HALTERUNG FÜR ABDECKUNG OBEN		17	66069R0015	VERROHRUNG DRUCKSCHALTER	
3	67405R0020	ELEKTRONIKSCHRANK		18	66069R0031	SCHALTER HOCHDRUCK	
4	67405R0021	VERDAMPFER		19	67405R0014	UNTERPLATTE	
5	66073R0005	PLATTE LINKS ABS		20	67405R0024	WÄRMEÜBERTRAGER TITANIUM	
6	67405R0022	VENTILATORMOTOR		21	66073R0017	PLATTE RECHTS ABS	
7	67405R0006	HALTERUNG MOTORVENTILATOR		22	66069R0050	MANOMETER	
8	66073R0007	ZWISCHENPLATTE		23	66069R0040	SCHUTZSCHRANK FÜR DISPLAY	
9	67405R0009	ROTORBLÄTTER VENTILATOR		24	66069R0048	DRIVER LED DISPLAY	
10	67405R0010	FRONTPLATTE ABS		25	66069R0030	DURCHFLUSSMESSER	
11	67405R0011	VENTILATORGITTER		26	66069R0022	VENTIL BEFÜLLUNG/ENTLEERUNG	
12	66069R0039	HEIZSTAB ENTEISER		27	66073R0020	PLATTE HINTEN ABS	
13	66069R0313	VERROHRUNG WÄRMEÜBERTRAGER		28	* 66069R0054	TEMPERATURFÜHLER L=1200	

* SIEHE ANMERKUNGSBLATT

CODE **67405-R32**

BESCHREIBUNG: **WÄRMEPUMPE EVOLINE 17 R32**

14	67405R0023	KOMPRESSOR	29	* 66069R0055	TEMPERATURFÜHLER L=1200
15	66069R0310	4-WEGE-VENTIL	30	* 66069R0057	TEMPERATURFÜHLER L=800
31	* 66069R0056	TEMPERATURFÜHLER L=1200	36	66069R0053	ANSCHLUSS FÜR PUMPE
32	66069R0051	BASISPLATTE PCB	37	66069R0041	ANSCHLUSS WASSER
33	66071R0032	KOMPRESSORKONDENSATOR	38	66069R0042	ABLASS KONDENSWASSER
34	66071R0025	VENTILATORKONDENSATOR (4 UF)	39	66069R0058	VERLÄNGERUNGSKABEL DISPLAY (10 M)
35	66069R0052	ANSCHLUSS	40	ACXXPR1004	WINTERDECKEL EV17-20/AC17-20/ST15/MC

CODE **67405-R32**

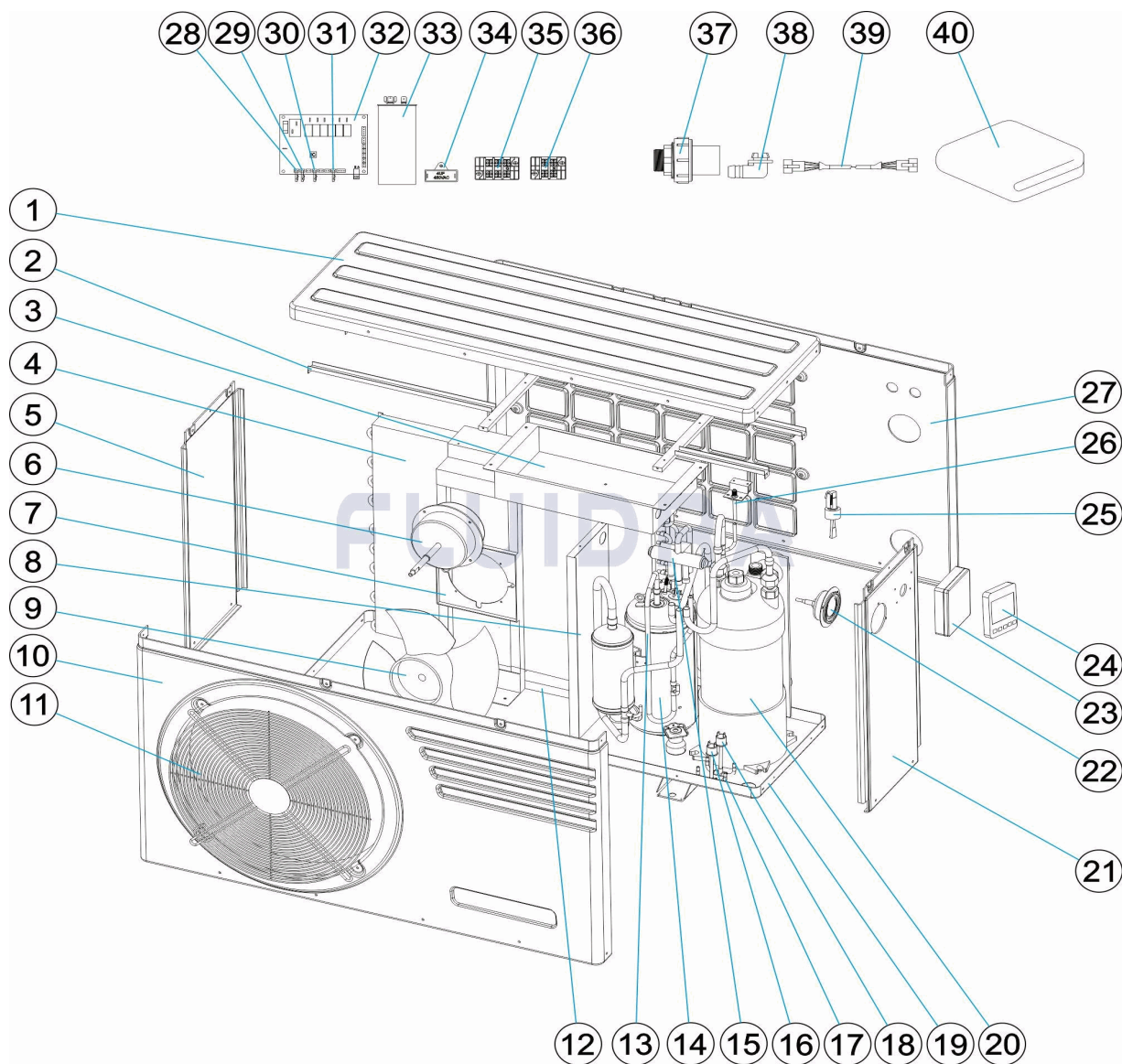
BESCHREIBUNG: **WÄRMEPUMPE EVOLINE 17 R32**

HINWEISE

POS	CODE	HINWEISE
28	* 66069R0054	FÜR: INLET WATER
29	* 66069R0055	FÜR: OUTLET WATER
30	* 66069R0057	FÜR: AIR
31	* 66069R0056	FÜR: EVAPORATOR

CODIGO 67405-R32

DESCRICAÇÃO: BOMBA DE CALOR EVOLINE 17 R32



PORTUGUES

POS	CODIGO	DESCRICAÇÃO	JANTIDADE	POS	CODIGO	DESCRICAÇÃO	JANTIDADE
1	66073R0001	TAMPA SUPERIOR ABS		16	66069R0032	INTERRUPTOR BAIXA PRESSÃO	
2	66073R0002	SUPORTE PARA TAMPA SUPERIOR		17	66069R0015	TUBAGENS PARA PRESSÓSTATO	
3	67405R0020	CAIXA ELÉTRICA		18	66069R0031	INTERRUPTOR ALTA PRESSÃO	
4	67405R0021	EVAPORADOR		19	67405R0014	PAINEL INFERIOR	
5	66073R0005	PAINEL ESQUERDO ABS		20	67405R0024	PERMUTADOR DE TITÂNIO	
6	67405R0022	MOTOR VENTILADOR		21	66073R0017	PAINEL DIREITO ABS	
7	67405R0006	SUPORTE PARA VENTILADOR MOTOR		22	66069R0050	MANÓMETRO	
8	66073R0007	PAINEL PARTIÇÃO		23	66069R0040	CAIXA PROTEÇÃO PARA ECRÃ	
9	67405R0009	PÁS VENTILADOR		24	66069R0048	CONTROLADOR DE ECRÃ LED	
10	67405R0010	PAINEL FRONTAL ABS		25	66069R0030	COMUTADOR DO CAUDAL DA ÁGUA	
11	67405R0011	GRADE VENTILADOR		26	66069R0022	VÁLVULA PARA ESVAZIAR/ENCHER	
12	66069R0039	RESISTÊNCIA DESCONGELAÇÃO		27	66073R0020	PAINEL POSTERIOR ABS	
13	66069R0313	TUBAGENS PARA PERMUTADOR		28	* 66069R0054	SENSOR TEMPERATURA L=1200	

*** VEJA A FICHA DE OBSERVAÇÕES**

CODIGO 67405-R32

DESCRIÇÃO: BOMBA DE CALOR EVOLINE 17 R32

14	67405R0023	COMPRESSOR	29	* 66069R0055	SENSOR TEMPERATURA L=1200
15	66069R0310	VÁLVULA DE 4 VIAS	30	* 66069R0057	SENSOR TEMPERATURA L=800
31	* 66069R0056	SENSOR TEMPERATURA L=1200	36	66069R0053	TERMINAL PARA BOMBA
32	66069R0051	PLACA BASE PCB	37	66069R0041	TOMADA DE ABASTECIMENTO DE ÁGUA
33	66071R0032	CONDENSADOR COMPRESSOR	38	66069R0042	PURGA ÁGUA CONDENSAÇÃO
34	66071R0025	CONDENSADOR VENTILADOR (4UF)	39	66069R0058	EXTENSÃO CABO PARA ECRÃ (10M)
35	66069R0052	TERMINAL DE POTÊNCIA	40	ACXPR1004	COBERTURA DE INVERNO EV17-20/AC17-2

CODIGO **67405-R32**

DESCRIÇÃO: **BOMBA DE CALOR EVOLINE 17 R32**

OBSERVAÇÕES

POS	CODIGO	OBSERVAÇÕES
28	* 66069R0054	PARA: INLET WATER
29	* 66069R0055	PARA: OUTLET WATER
30	* 66069R0057	PARA: AIR
31	* 66069R0056	PARA: EVAPORATOR