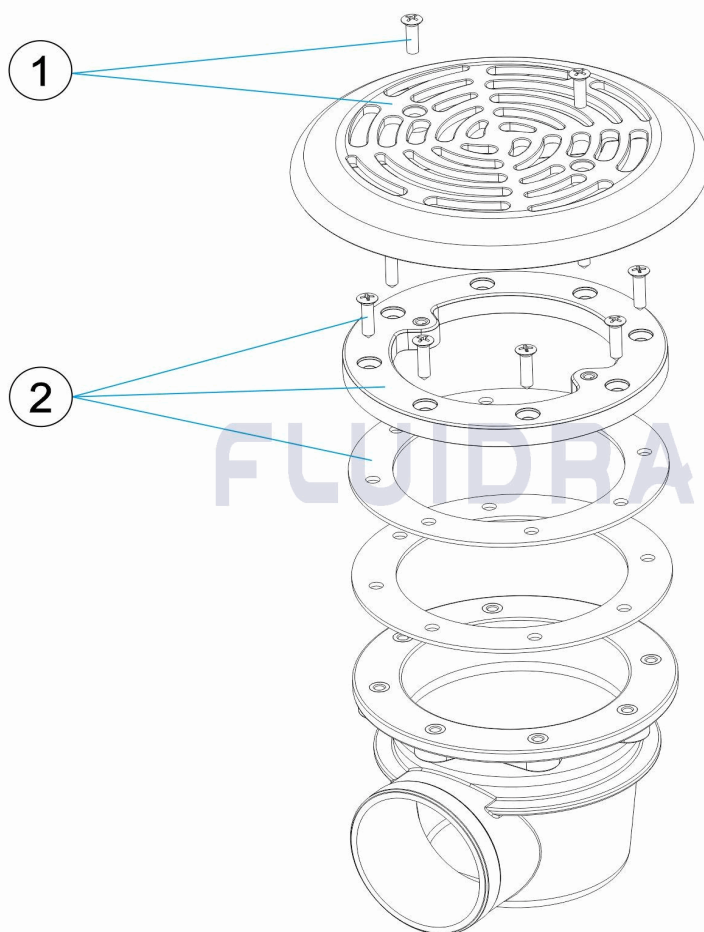


CODIGO **34749, 34749CL144**

DESCRIPCION: **SUMIDERO PISCINA PREFABRICADA**



ESPAÑOL

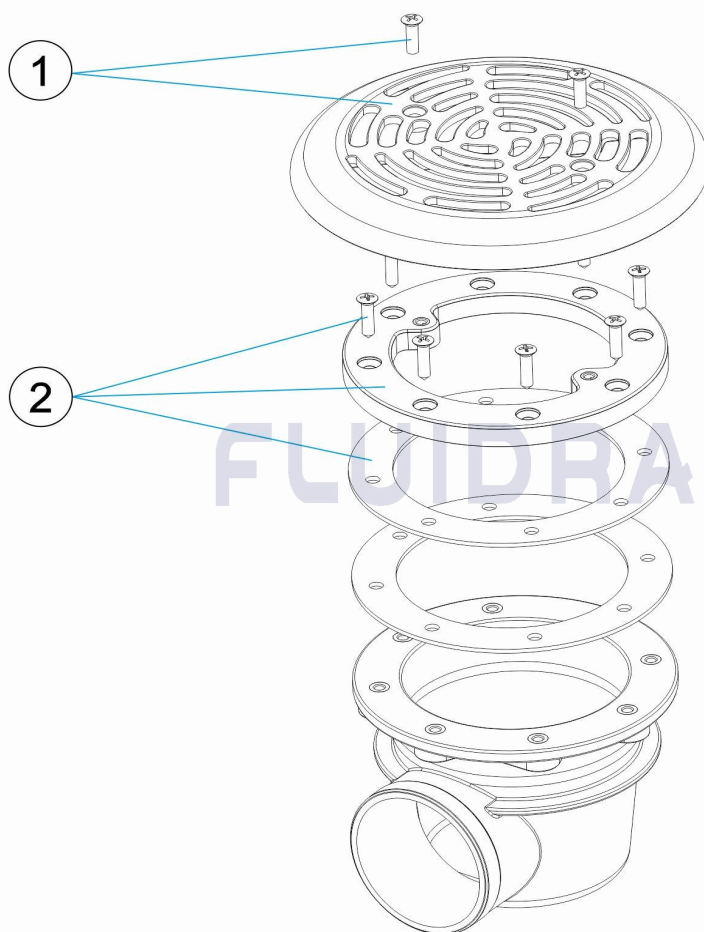
POS	CODIGO	DESCRIPCION	CANTIDAD	POS	CODIGO	DESCRIPCION	CANTIDAD
1	* 4402020022	REJILLA		3	* 4402020023	BRIDA SUMIDERO	
2	* 4402020025	REJILLA		4	* 4402020024	BRIDA SUMIDERO	

CODIGO **34749, 34749CL144**DESCRIPCION: **SUMIDERO PISCINA PREFABRICADA****OBSERVACIONES**

POS	CODIGO	OBSERVACIONES
1	* 4402020022	PARA: 34749 WHITE
2	* 4402020025	PARA: 34749CL144 ANTHRACITE
3	* 4402020023	PARA: 34749 WHITE
4	* 4402020024	PARA: 34749CL144 ANTHRACITE

CODE **34749, 34749CL144**

DESCRIPTION: **BONDE PISCINE PRÉFABRIQUÉE**



FRANCAIS

POS	CODE	DESCRIPTION	QUANTITE	POS	CODE	DESCRIPTION	QUANTITE
1	* 440202022	GRILLE PLATE		3	* 440202023	BRIDE BONDE	
2	* 440202025	GRILLE PLATE		4	* 440202024	BRIDE BONDE	

CODE **34749, 34749CL144**

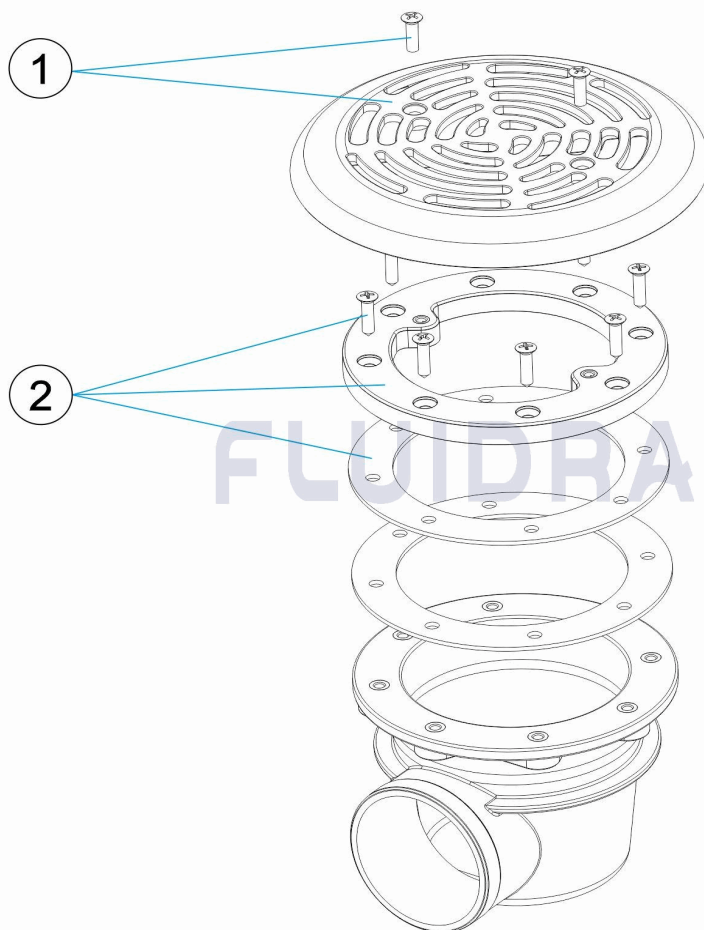
DESCRIPTION: **BONDE PISCINE PRÉFABRIQUÉE**

OBSERVATIONS

POS	CODE	OBSERVATIONS
1	* 4402020022	POUR: 34749 WHITE
2	* 4402020025	POUR: 34749CL144 ANTHRACITE
3	* 4402020023	POUR: 34749 WHITE
4	* 4402020024	POUR: 34749CL144 ANTHRACITE

CODE **34749, 34749CL144**

DESCRIPTION: **DRAIN PREFABRICATED POOL**



ENGLISH

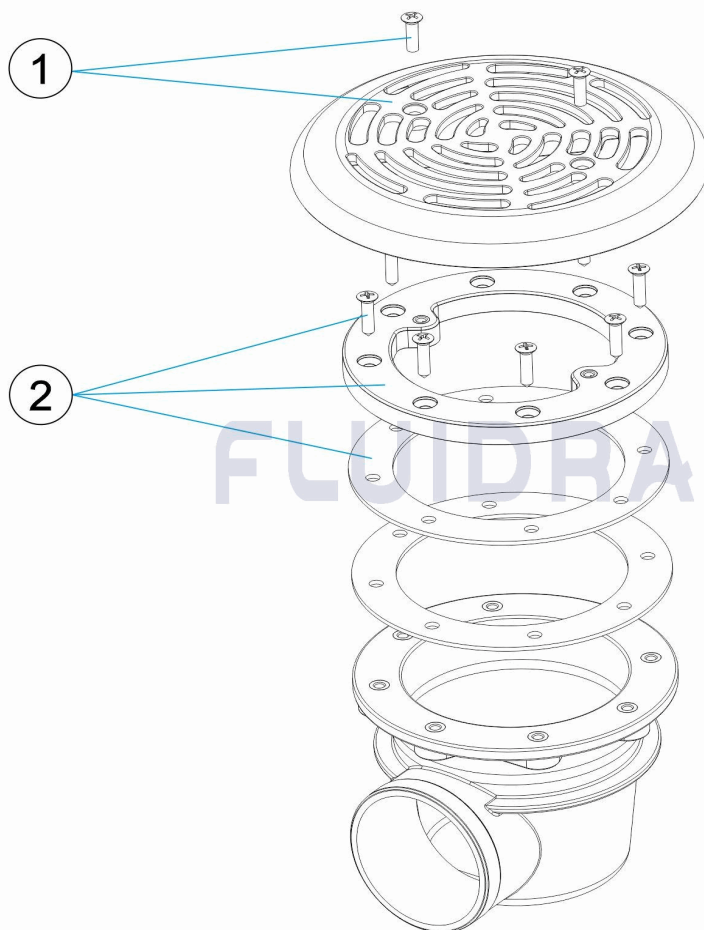
POS	CODE	DESCRIPTION	QUANTITY	POS	CODE	DESCRIPTION	QUANTITY
1	* 440202022	GRILLE		3	* 440202023	DRAIN FLANGE	
2	* 440202025	GRILLE		4	* 440202024	DRAIN FLANGE	

CODE **34749, 34749CL144**DESCRIPTION: **DRAIN PREFABRICATED POOL****OBSERVATIONS**

POS	CODE	OBSERVATIONS
1	* 4402020022	FOR: 34749 WHITE
2	* 4402020025	FOR: 34749CL144 ANTHRACITE
3	* 4402020023	FOR: 34749 WHITE
4	* 4402020024	FOR: 34749CL144 ANTHRACITE

CODICE **34749, 34749CL144**

DESCRIZIONE: **SCOLATOIO PISCINA PREFABBRICATA**



ITALIANO

POS	CODICE	DESCRIZIONE	QUANTITA'	POS	CODICE	DESCRIZIONE	QUANTITA'
1	* 4402020022	GRIGLIA		3	* 4402020023	FLANGIA FORO DI SCOLO	
2	* 4402020025	GRIGLIA		4	* 4402020024	FLANGIA FORO DI SCOLO	

CODICE **34749, 34749CL144**

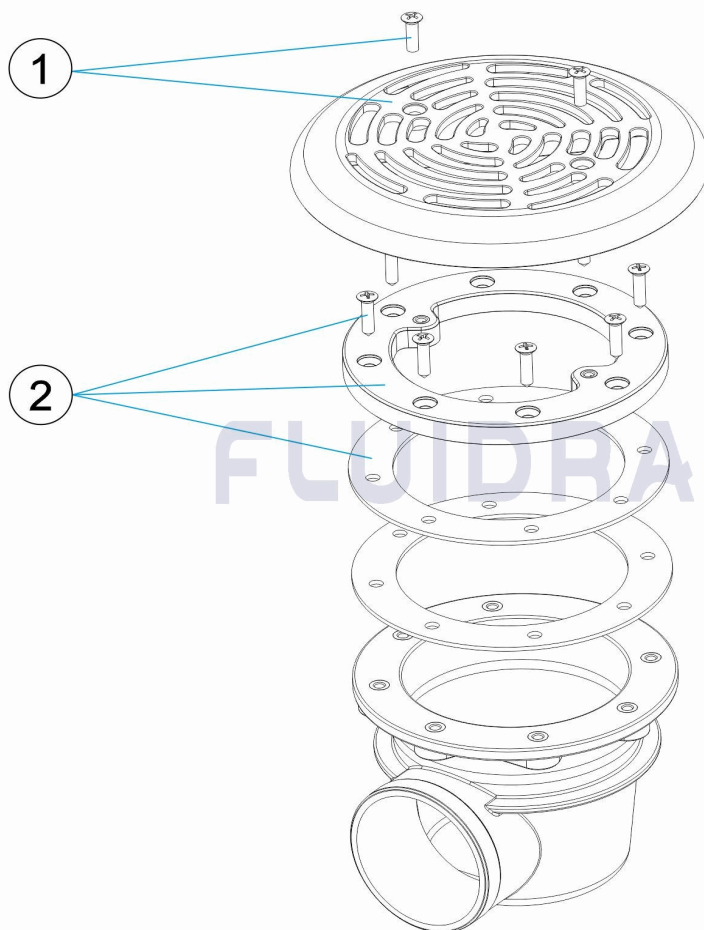
DESCRIZIONE: **SCOLATOIO PISCINA PREFABBRICATA**

OSSERVAZIONI

POS	CODICE	OSSERVAZIONI
1	* 4402020022	PER: 34749 WHITE
2	* 4402020025	PER: 34749CL144 ANTHRACITE
3	* 4402020023	PER: 34749 WHITE
4	* 4402020024	PER: 34749CL144 ANTHRACITE

CODE **34749, 34749CL144**

BESCHREIBUNG: **ABFLUSS FERTIGBECKEN**



DEUTSCH

POS	CODE	BESCHREIBUNG	MENGE	POS	CODE	BESCHREIBUNG	MENGE
1	* 440202022	GITTER		3	* 440202023	FLANSCH ABFLUSS	
2	* 440202025	GITTER		4	* 440202024	FLANSCH ABFLUSS	

CODE **34749, 34749CL144**

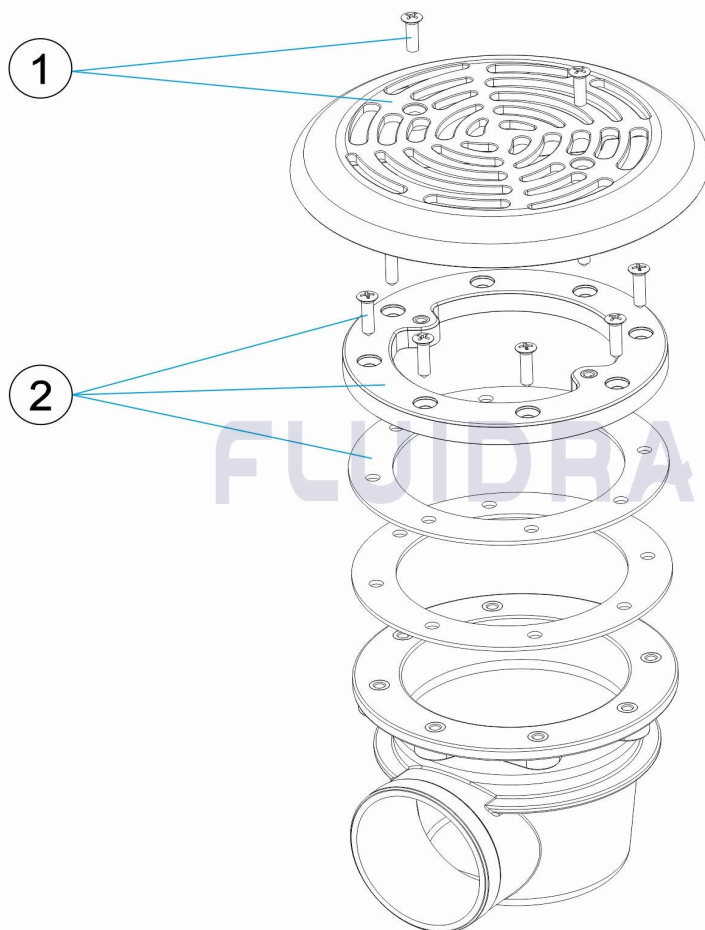
BESCHREIBUNG: **ABFLUSS FERTIGBECKEN**

HINWEISE

POS	CODE	HINWEISE
1	* 4402020022	FÜR: 34749 WHITE
2	* 4402020025	FÜR: 34749CL144 ANTHRACITE
3	* 4402020023	FÜR: 34749 WHITE
4	* 4402020024	FÜR: 34749CL144 ANTHRACITE

CODIGO **34749, 34749CL144**

DESCRIÇÃO: **ESGOTO PISCINA PRÉ-FABRICADA**



PORTUGUES

POS	CODIGO	DESCRIÇÃO	JANTIDADE	POS	CODIGO	DESCRIÇÃO	JANTIDADE
1	* 4402020022	GRELHA		3	* 4402020023	FLANGE RALO DE FUNDO	
2	* 4402020025	GRELHA		4	* 4402020024	FLANGE RALO DE FUNDO	

CODIGO **34749, 34749CL144**

DESCRIÇÃO: **ESGOTO PISCINA PRÉ-FABRICADA**

OBSERVAÇÕES

POS	CODIGO	OBSERVAÇÕES
1	* 4402020022	PARA: 34749 WHITE
2	* 4402020025	PARA: 34749CL144 ANTHRACITE
3	* 4402020023	PARA: 34749 WHITE
4	* 4402020024	PARA: 34749CL144 ANTHRACITE