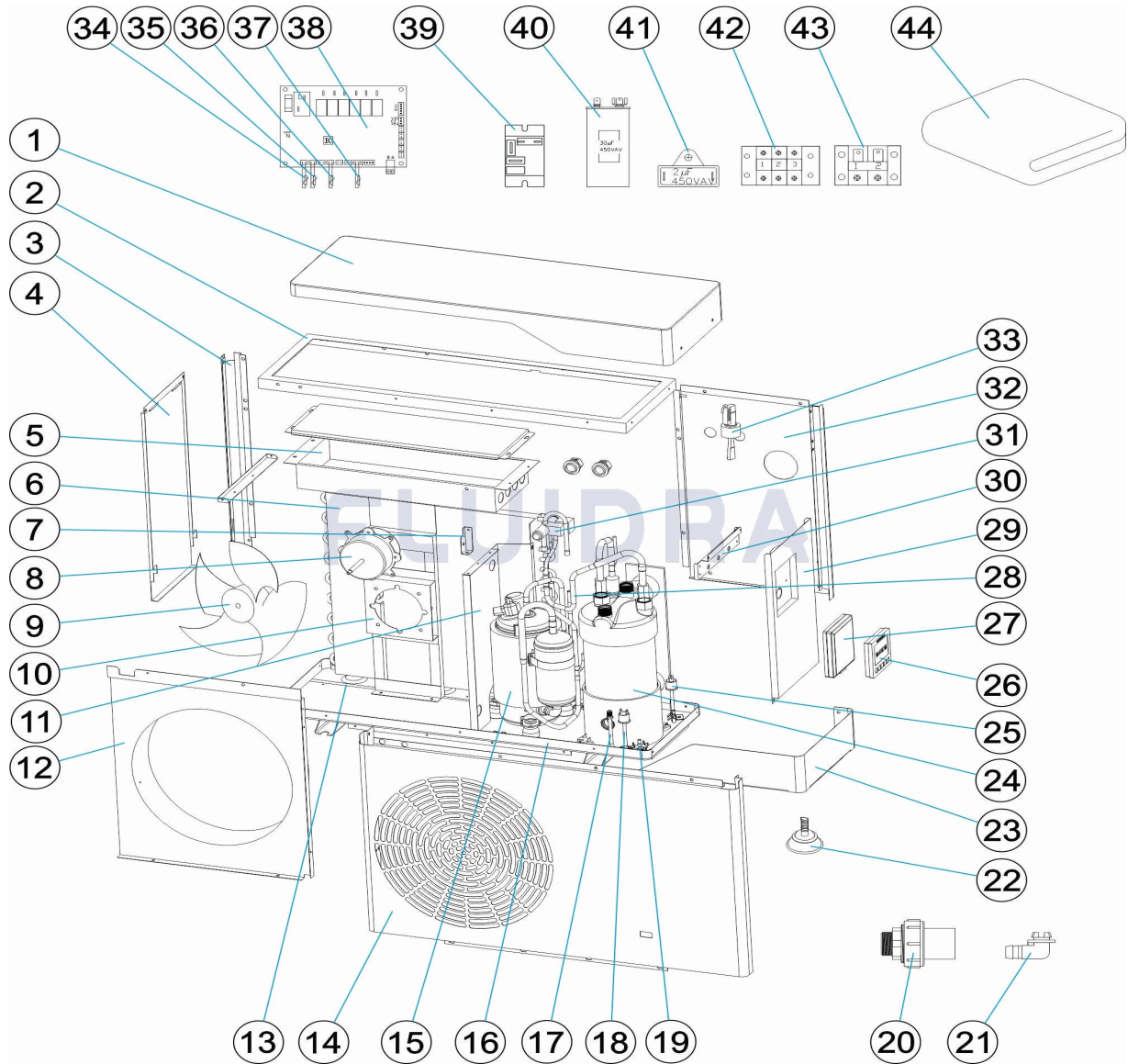


CODIGO **WH000418**

 DESCRIPCION: **BOMBA DE CALOR PM40**

ESPAÑOL

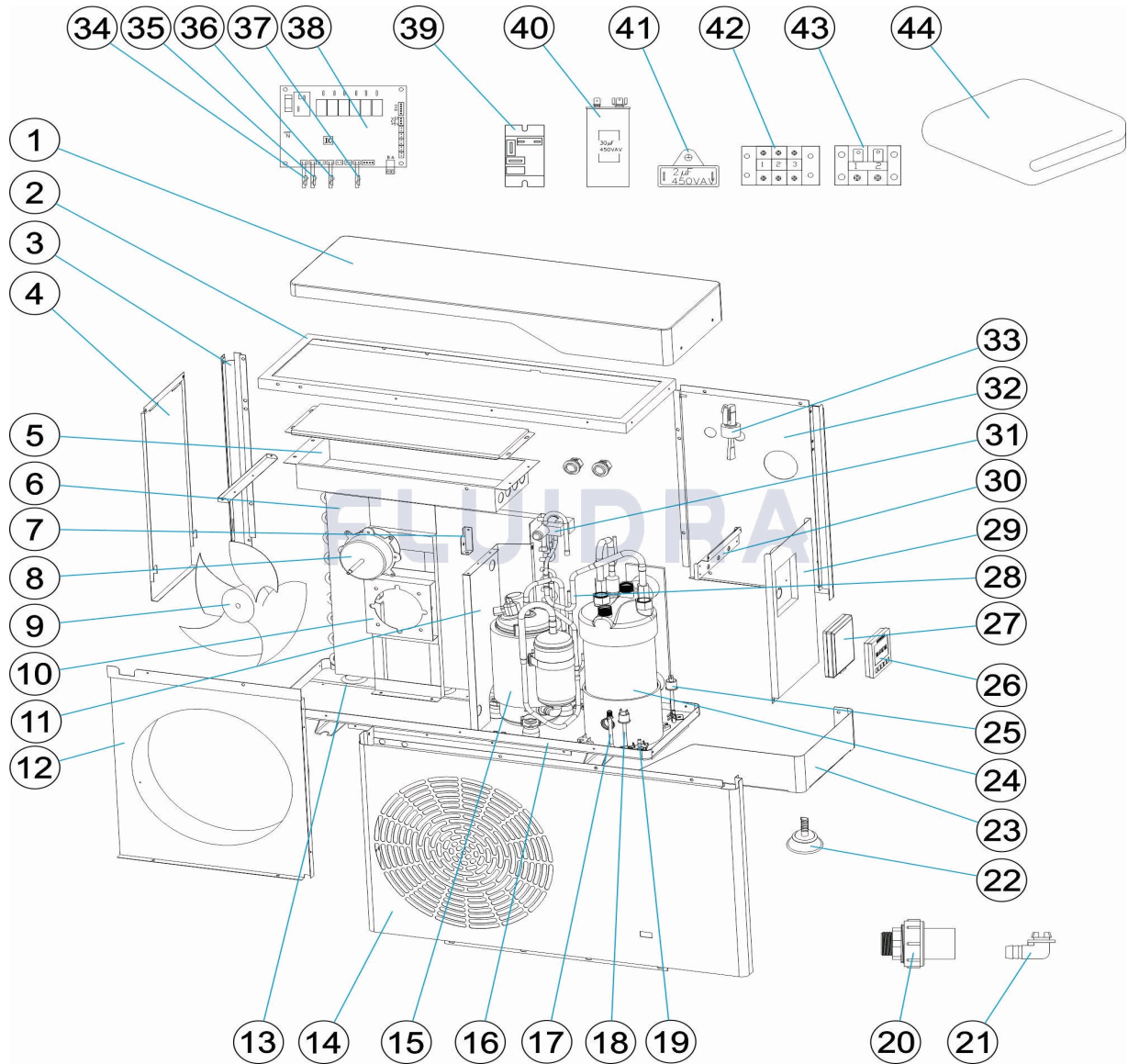
POS	CODIGO	DESCRIPCION	CANTIDAD	POS	CODIGO	DESCRIPCION	CANTIDAD
1	66069R0250	TAPA SUPERIOR		16	66069R0258	PANEL INFERIOR	
2	66069R0251	SOPORTE PARA TAPA SUPERIOR		17	66069R0022	VÁLVULA PARA VACIADO/RELLENO	
3	66069R0264	SOPORTE PARA PANEL IZQUIERDO		18	66069R0032	INTERRUPTOR BAJA PRESIÓN	
4	66069R0253	PANEL IZQUIERDO		19	66069R0015	TUBERÍAS PARA PRESOSTATO	
5	66069R0252	CAJA ELECTRICA		20	66069R0041	CONECTOR DE AGUA	
6	66069R0044	EVAPORADOR		21	66069R0042	PURGA AGUA CONDENSACIÓN	
7	66069R0265	CONEXIÓN PLACA PANEL PARTICIÓN		22	66069R0102	PIES ANTIVIBRATORIOS	
8	66069R0045	MOTOR VENTILADOR		23	66069R0266	TAPA FONDO	
9	66069R0009	ASPAS VENTILADOR		24	66069R0047	INTERCAMBIADOR DE TITANIO	
10	66069R0254	SOPORTE PARA VENTILADOR MOTOR		25	66069R0031	INTERRUPTOR ALTA PRESIÓN	
11	66069R0255	PANEL PARTICIÓN		26	66069R3304	CONTROLADOR LCD (PM40)	
12	66069R0257	REJILLA VENTILADOR		27	66069R0262	CAJA CONTROLADOR IMPERMEABLE	
13	66069R0039	RESISTENCIA DESHIELO		28	66069R0049	TUBERÍAS PARA INTERCAMBIADOR	

CODIGO **WH000418**DESCRIPCION: **BOMBA DE CALOR PM40**

14	66069R0256	PANEL FRONTAL	29	66069R0259	PANEL DERECHO
15	66069R0046	COMPRESOR	30	66069R0267	CONEXIÓN PLACA TAPA SUPERIOR
31	66069R0013	VÁLVULA DE 4 VÍAS	38	66069R0060	PLACA BASE PCB
32	66069R0260	PANEL TRASERO	39	66069R0027	RELÉ PARA COMPRESOR
33	66069R0030	FLUJOSTATO	40	66069R0261	CONDENSADOR COMPRESOR
34	66069R0054	SENSOR TEMPERATURA L=1200	41	66069R0025	CONDENSADOR VENTILADOR (2UF)
35	66069R0055	SENSOR TEMP (L=1200 COBRE C-NEGRO)	42	66069R0052	TERMINAL DE POTENCIA
36	66069R0057	SENSOR TEMPERATURA L=800	43	66069R0053	TERMINAL PARA BOMBA
37	66069R0056	SENSOR TEMP (L=1200 COBRE C-VERDE)	44	ACXXPR1001	FUNDA HIBERNAL EV6/AC6/ST6/MD1

CODE

WH000418

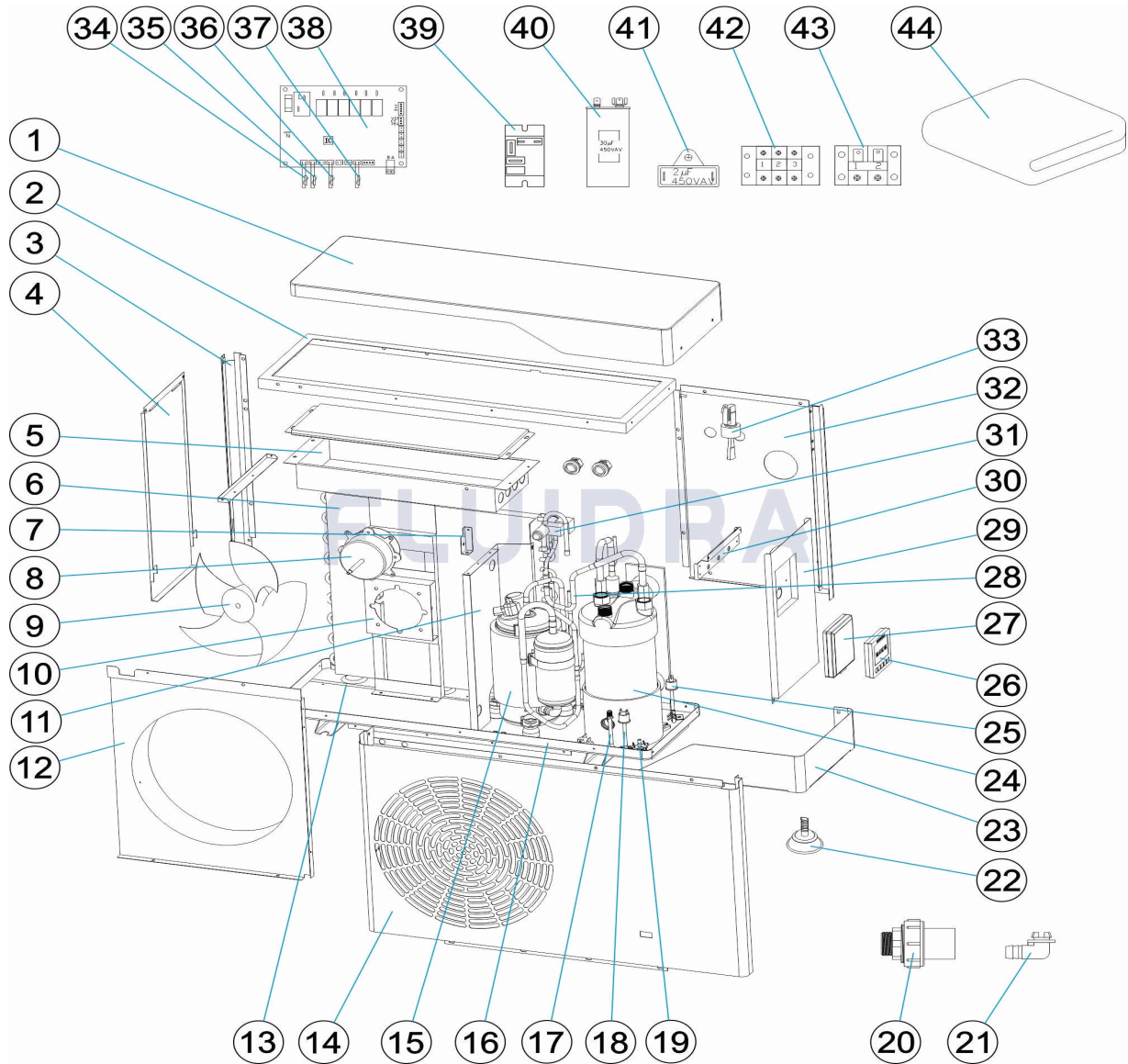
 DESCRIPTION: **POMPE À CHALEUR PM40**

FRANCAIS

POS	CODE	DESCRIPTION	QUANTITE	POS	CODE	DESCRIPTION	QUANTITE
1	66069R0250	COUVERCLE SUPÉRIEUR		16	66069R0258	PANNEAU INFÉRIEUR	
2	66069R0251	SUPPORT POUR COUVERCLE SUPÉRIEUR		17	66069R0022	VANNE DE VIDANGE/REMPLISSAGE	
3	66069R0264	SUPPORT POUR PANNEAU GAUCHE		18	66069R0032	INTERRUPTEUR BASSE PRESSION	
4	66069R0253	PANNEAU GAUCHE		19	66069R0015	TUYAUTERIES POUR PRESSOSTAT	
5	66069R0252	BOÎTIER ÉLECTRIQUE		20	66069R0041	RACCORD EAU	
6	66069R0044	ÉVAPORATEUR		21	66069R0042	PURGE EAU CONDENSATION	
7	66069R0265	CONNEXION PLAQUE PANNEAU SÉPARAT		22	66069R0102	PIEDS ANTI-VIBRATION	
8	66069R0045	MOTEUR VENTILATEUR		23	66069R0266	COUVERCLE FOND	
9	66069R0009	PALES VENTILATEUR		24	66069R0047	ÉCHANGEUR EN TITANE	
10	66069R0254	SUPPORT POUR VENTILATEUR MOTEUR		25	66069R0031	INTERRUPTEUR HAUTE PRESSION	
11	66069R0255	PANNEAU SÉPARATION		26	66069R3304	CONTRÔLEUR LCD (PM40)	
12	66069R0257	GRILLE VENTILATEUR		27	66069R0262	BOÎTIER CONTRÔLEUR ÉTANCHE	
13	66069R0039	RÉSISTANCE DÉGEL		28	66069R0049	TUYAUTERIES POUR ÉCHANGEUR	

CODE **WH000418**DESCRIPTION: **POMPE À CHALEUR PM40**

14	66069R0256	PANNEAU FRONTAL	29	66069R0259	PANNEAU DROIT
15	66069R0046	COMPRESSEUR	30	66069R0267	CONNEXION PLAQUE COUVERCLE SUPÉR
31	66069R0013	VANNE 4 VOIES	38	66069R0060	PLAQUE BASE PCB
32	66069R0260	PANNEAU ARRIÈRE	39	66069R0027	RELAIS POUR COMPRESSEUR
33	66069R0030	FLUXOSTAT	40	66069R0261	CONDENSATEUR COMPRESSEUR
34	66069R0054	CAPTEUR TEMPÉRATURE L=1200	41	66069R0025	CONDENSATEUR VENTILATEUR (2UF)
35	66069R0055	CAPTEUR TEMPÉRATURE L=1200	42	66069R0052	BORNE DE PUISSANCE
36	66069R0057	CAPTEUR TEMPÉRATURE L=800	43	66069R0053	BORNE POUR POMPE
37	66069R0056	CAPTEUR TEMPÉRATURE L=1200	44	ACXXPR1001	COUVERTURE D'HIVERNAGE EV6/AC6/ST6

CODE **WH000418**
DESCRIPTION: **HEAT PUMP PM40**



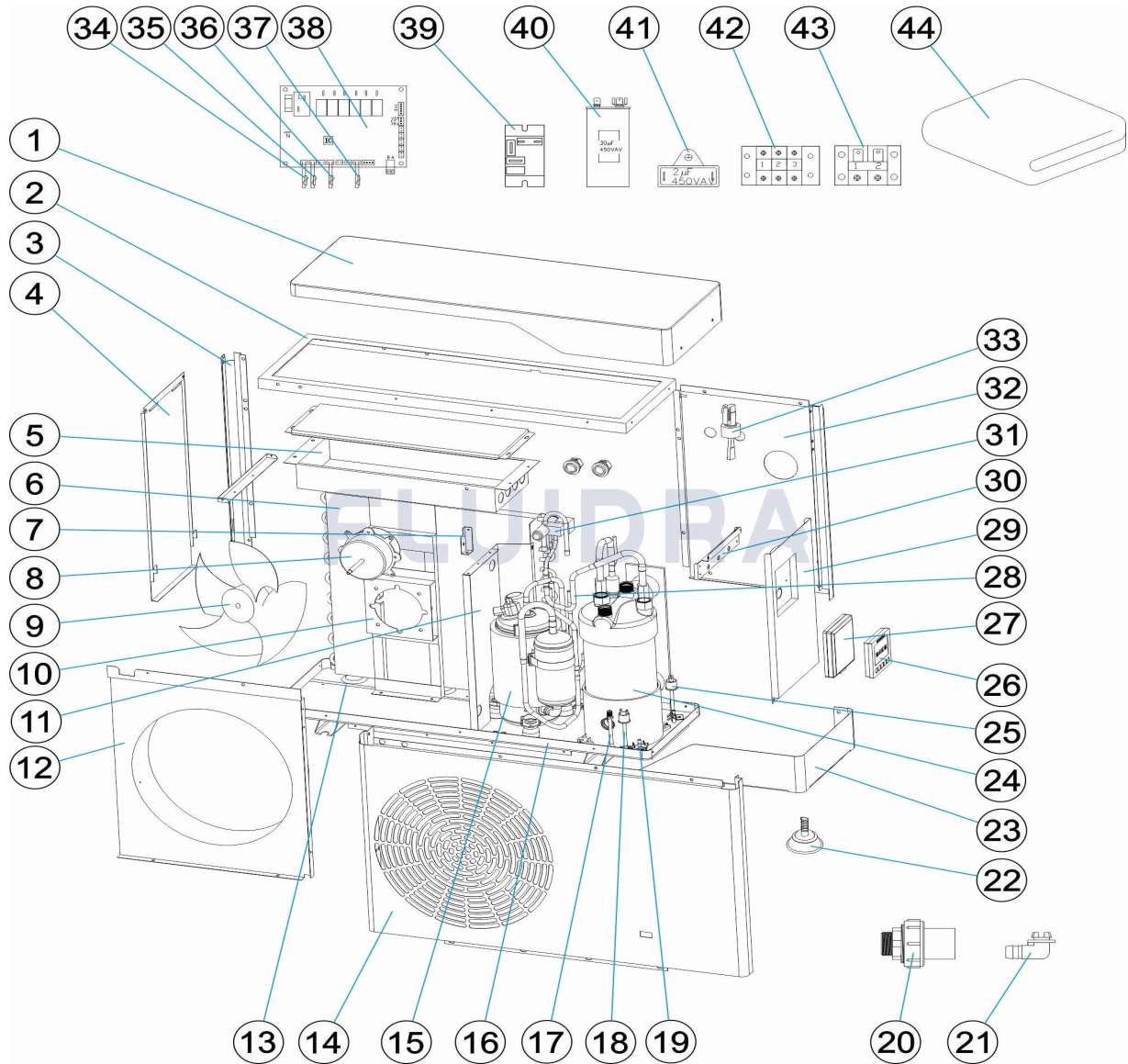
ENGLISH

POS	CODE	DESCRIPTION	QUANTITY	POS	CODE	DESCRIPTION	QUANTITY
1	66069R0250	TOP CAP		16	66069R0258	BOTTOM PANEL	
2	66069R0251	TOP CAP HOLDER		17	66069R0022	VALVE FOR VACUUM & FILLING	
3	66069R0264	LEFT PANEL HOLDER		18	66069R0032	LOW PRESSURE SWITCH	
4	66069R0253	LEFT SIDE PANEL		19	66069R0015	PIPEWORK FOR PRESSURE SWITCH	
5	66069R0252	ELECTRIC BOX		20	66069R0041	WATER CONNECTOR	
6	66069R0044	EVAPORATOR		21	66069R0042	WATER CONDENSATION PURGE	
7	66069R0265	PARTITION PANEL CONNECTION PLATE		22	66069R0102	ANTI-VIBRATION FEET	
8	66069R0045	FAN MOTOR		23	66069R0266	BOTTOM COVER	
9	66069R0009	FAN BLADE		24	66069R0047	TITANIUM HEAT EXCHANGER	
10	66069R0254	FAN MOTOR HOLDER		25	66069R0031	HIGH PRESSURE SWITCH	
11	66069R0255	PARTITION PANEL		26	66069R3304	LCD CONTROLLER (PM40)	
12	66069R0257	FAN GUARD		27	66069R0262	WATERPROOF CONTROLLER BOX	
13	66069R0039	BOTTOM HEATER FOR EVAPORATOR		28	66069R0049	PIPEWORK FOR HEAT EXCHANGER	

CODE **WH000418**DESCRIPTION: **HEAT PUMP PM40**

14	66069R0256	FRONT PANEL	29	66069R0259	RIGHT SIDE PANEL
15	66069R0046	COMPRESSOR	30	66069R0267	TOP CAP CONNECTION PLATE
31	66069R0013	4-WAY VALVE	38	66069R0060	PCB MOTHER BOARD
32	66069R0260	BACK PANEL	39	66069R0027	RELAY/CONTACTOR FOR COMPRESSOR
33	66069R0030	WATER FLOW SWITCH	40	66069R0261	COMPRESSOR CAPACITOR
34	66069R0054	TEMP SENSOR (L=1200 COPPER C-RED)	41	66069R0025	FAN CAPACITOR (2UF)
35	66069R0055	TEMP SENSOR (L=1200 COPPER C-BLACK)	42	66069R0052	POWER TERMINAL
36	66069R0057	TEMP SENSOR (L=800 PLASTIC C-WHITE)	43	66069R0053	PUMP TERMINAL
37	66069R0056	TEMP SENSOR (L=1200 COPPER C-GREEN)	44	ACXXPR1001	WINTER COVER EV6/AC6/ST6/MD1

CODICE **WH000418**

 DESCRIZIONE: **POMPA DI CALORE PM40**

ITALIANO

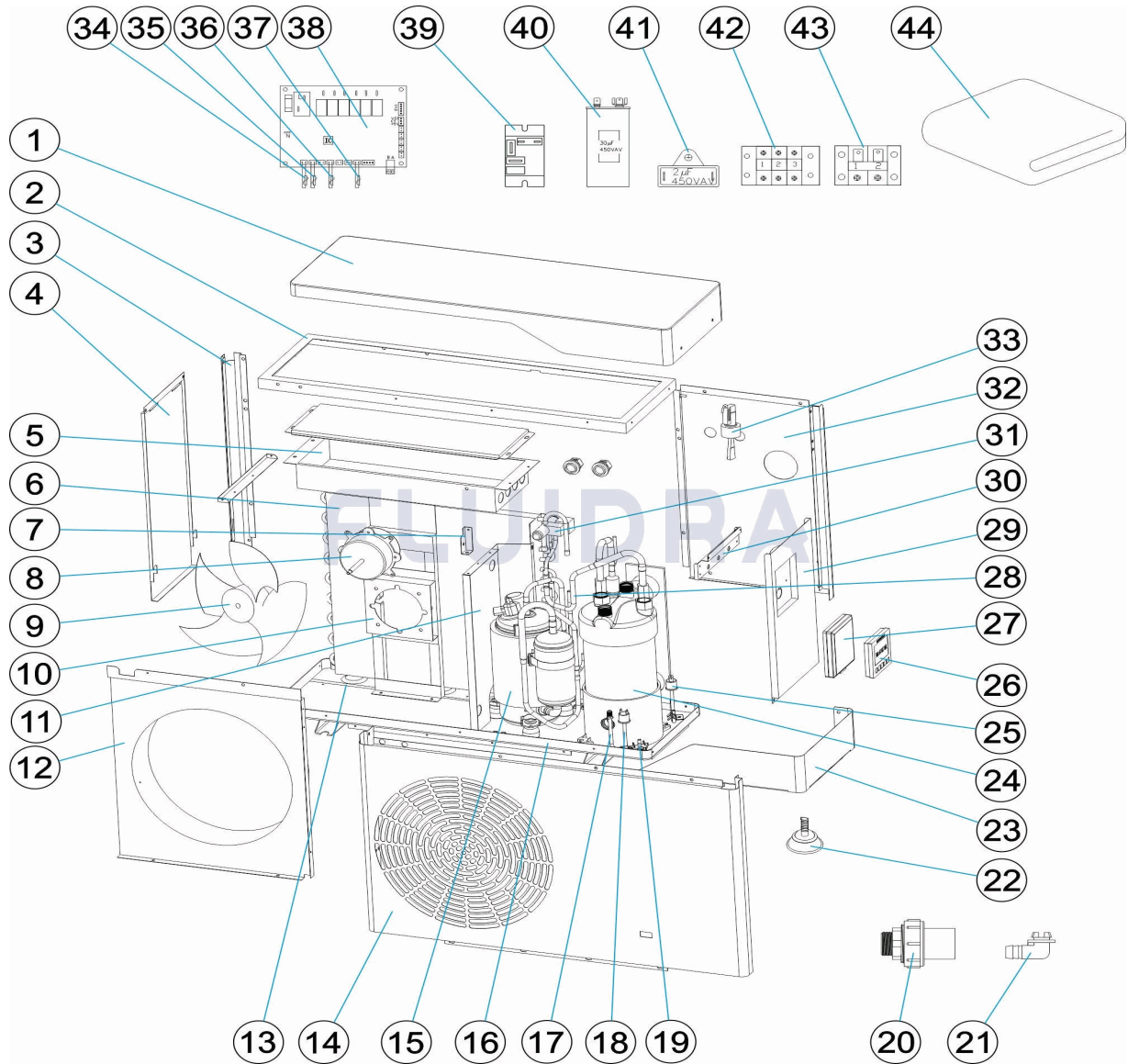
POS	CODICE	DESCRIZIONE	QUANTITA'	POS	CODICE	DESCRIZIONE	QUANTITA'
1	66069R0250	COPERCHIO SUPERIORE		16	66069R0258	PANNELLO INFERIORE	
2	66069R0251	SUPPORTO PER COPERCHIO SUPERIORE		17	66069R0022	VALVOLA DI SVUOTAMENTO/RIEMPIMENTC	
3	66069R0264	SUPPORTO PER PANNELLO SINISTRO		18	66069R0032	INTERRUTTORE BASSA PRESSIONE	
4	66069R0253	PANNELLO SINISTRO		19	66069R0015	TUBAZIONE PER PRESSOSTATO	
5	66069R0252	SCATOLA DI DERIVAZIONE		20	66069R0041	CONNETTORE ACQUA	
6	66069R0044	EVAPORATORE		21	66069R0042	SCARICO ACQUA CONDENSAZIONE	
7	66069R0265	CONNESSIONE PLACCA PANNELLO PARTI		22	66069R0102	PIEDINI ANTIVIBRAZIONE	
8	66069R0045	MOTORE VENTILATORE		23	66069R0266	COPERTURA FONDO	
9	66069R0009	PALE VENTILATORE		24	66069R0047	INTERCAMBIATORE IN TITANIO	
10	66069R0254	SUPPORTO PER VENTILATORE MOTORE		25	66069R0031	INTERRUTTORE ALTA PRESSIONE	
11	66069R0255	PANNELLO PARTIZIONE		26	66069R3304	CONTROLLER LCD (PM40)	
12	66069R0257	GRIGLIA VENTILATORE		27	66069R0262	SCATOLA CONTROLLO IMPERMEABILE	
13	66069R0039	RESISTENZA DISGELO		28	66069R0049	TUBAZIONE PER INTERCAMBIATORE	

CODICE **WH000418**DESCRIZIONE: **POMPA DI CALORE PM40**

14	66069R0256	PANNELLO FRONTALE	29	66069R0259	PANNELLO DESTRO
15	66069R0046	COMPRESSORE	30	66069R0267	CONNESSIONE PLACCA COPERCHIO SUPR
31	66069R0013	VALVOLA A 4 VIE	38	66069R0060	SCHEDA BASE PCB
32	66069R0260	PANNELLO INDIETRO	39	66069R0027	RELÈ PER COMPRESSORE
33	66069R0030	FLUSSOSTATO	40	66069R0261	CONDENSATORE COMPRESSORE
34	66069R0054	SENSORE TEMPERATURA L=1200	41	66069R0025	CONDENSATORE VENTILATORE (2UF)
35	66069R0055	SENSORE TEMPERATURA L=1200	42	66069R0052	TERMINALE DI POTENZA
36	66069R0057	SENSORE TEMPERATURA L=800	43	66069R0053	TERMINALE PER POMPA
37	66069R0056	SENSORE TEMPERATURA L=1200	44	ACXXPR1001	COPERTA DI INVERNO EV6/AC6/ST6/MD1

CODE

WH000418

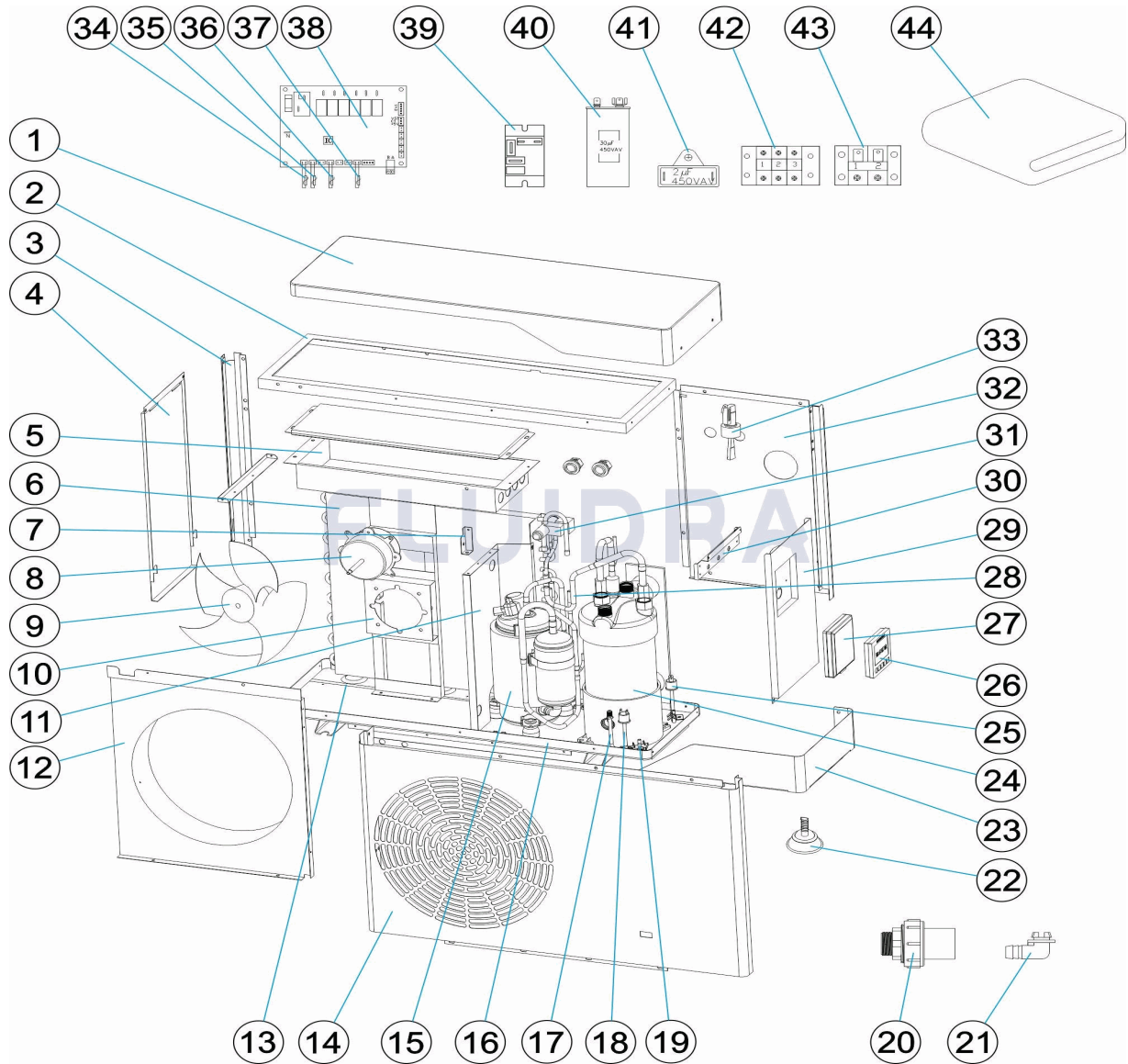
 BESCHREIBUNG: **WÄRMEPUMPE PM40**

DEUTSCH

POS	CODE	BESCHREIBUNG	MENGE	POS	CODE	BESCHREIBUNG	MENGE
1	66069R0250	ABDECKUNG OBEN		16	66069R0258	UNTERPLATTE	
2	66069R0251	HALTERUNG FÜR ABDECKUNG OBEN		17	66069R0022	VENTIL BEFÜLLUNG/ENTLEERUNG	
3	66069R0264	HALTERUNG FÜR PLATTE LINKS		18	66069R0032	SCHALTER TIEFDRUCK	
4	66069R0253	LINKENPLATTE		19	66069R0015	VERROHRUNG DRUCKSCHALTER	
5	66069R0252	ELEKTRONIKSCHRANK		20	66069R0041	ANSCHLUSS WASSER	
6	66069R0044	VERDAMPFER		21	66069R0042	ABLASS KONDENSWASSER	
7	66069R0265	ANSCHLUSS ZWISCHENPLATTE PLAKETTI		22	66069R0102	ANTI-VIBRATIONSFÜSSE	
8	66069R0045	VENTILATORMOTOR		23	66069R0266	ABDECKUNG BASIS	
9	66069R0009	ROTORBLÄTTER VENTILATOR		24	66069R0047	WÄRMEÜBERTRAGER TITANIUM	
10	66069R0254	HALTERUNG MOTORVENTILATOR		25	66069R0031	SCHALTER HOCHDRUCK	
11	66069R0255	ZWISCHENPLATTE		26	66069R3304	DRIVER LCD (PM40)	
12	66069R0257	VENTILATORGITTER		27	66069R0262	WASSERDICHE STEUERUNGSBOX	
13	66069R0039	HEIZSTAB ENTEISER		28	66069R0049	VERROHRUNG WÄRMEÜBERTRAGER	

CODE **WH000418**BESCHREIBUNG: **WÄRMEPUMPE PM40**

14	66069R0256	FRONTPLATTE	29	66069R0259	RECHTENPLATTE
15	66069R0046	KOMPRESSOR	30	66069R0267	ANSCHLUSS ABDECKUNG OBEN PLAKETT
31	66069R0013	4-WEGE-VENTIL	38	66069R0060	BASISPLATTE PCB
32	66069R0260	FÜHRERHAUSRÜCKWAND	39	66069R0027	KOMPRESSORRELAIS
33	66069R0030	DURCHFLUSSMESSER	40	66069R0261	KOMPRESSORKONDENSATOR
34	66069R0054	TEMPERATURFÜHLER L=1200	41	66069R0025	VENTILATORKONDENSATOR (2 UF)
35	66069R0055	TEMPERATURFÜHLER L=1200	42	66069R0052	ANSCHLUSS
36	66069R0057	TEMPERATURFÜHLER L=800	43	66069R0053	ANSCHLUSS FÜR PUMPE
37	66069R0056	TEMPERATURFÜHLER L=1200	44	ACXXPR1001	WINTERDECKEL EV6/AC6/ST6/MD1

CODIGO **WH000418**

 DESCRIÇÃO: **BOMBA DE CALOR PM40**

PORTUGUES

POS	CODIGO	DESCRIÇÃO	JANTIDADE	POS	CODIGO	DESCRIÇÃO	JANTIDADE
1	66069R0250	TAMPA SUPERIOR		16	66069R0258	PAINEL INFERIOR	
2	66069R0251	SUPORTE PARA TAMPA SUPERIOR		17	66069R0022	VÁLVULA PARA ESVAZIAR/ENCHER	
3	66069R0264	SUPORTE PARA PAINEL ESQUERDO		18	66069R0032	INTERRUPTOR BAIXA PRESSÃO	
4	66069R0253	PAINEL ESQUERDO		19	66069R0015	TUBAGENS PARA PRESSÓSTATO	
5	66069R0252	CAIXA ELÉTRICA		20	66069R0041	TOMADA DE ABASTECIMENTO DE ÁGUA	
6	66069R0044	EVAPORADOR		21	66069R0042	PURGA ÁGUA CONDESAÇÃO	
7	66069R0265	CONEXÃO PLACA PAINEL PARTIÇÃO		22	66069R0102	PÉS ANTIVIBRAÇÃO	
8	66069R0045	MOTOR VENTILADOR		23	66069R0266	TAMPA FUNDO	
9	66069R0009	PÁS VENTILADOR		24	66069R0047	PERMUTADOR DE TITÂNIO	
10	66069R0254	SUPORTE PARA VENTILADOR MOTOR		25	66069R0031	INTERRUPTOR ALTA PRESSÃO	
11	66069R0255	PAINEL PARTIÇÃO		26	66069R3304	CONTROLADOR LCD (PM40)	
12	66069R0257	GRADE VENTILADOR		27	66069R0262	CAIXA DE CONTROLE IMPERMEÁVEL	
13	66069R0039	RESISTÊNCIA DESCONGELAÇÃO		28	66069R0049	TUBAGENS PARA PERMUTADOR	

CODIGO

WH000418DESCRIÇÃO: **BOMBA DE CALOR PM40**

14	66069R0256	PAINEL FRONTAL	29	66069R0259	PAINEL DIREITO
15	66069R0046	COMPRESSOR	30	66069R0267	CONEXÃO PLACA TAMPA SUPERIOR
31	66069R0013	VÁLVULA DE 4 VIAS	38	66069R0060	PLACA BASE PCB
32	66069R0260	PAINEL TRASEIRO	39	66069R0027	RELÉ PARA COMPRESSOR
33	66069R0030	COMUTADOR DO CAUDAL DA ÁGUA	40	66069R0261	CONDENSADOR COMPRESSOR
34	66069R0054	SENSOR TEMPERATURA L=1200	41	66069R0025	CONDENSADOR VENTILADOR (2UF)
35	66069R0055	SENSOR TEMPERATURA L=1200	42	66069R0052	TERMINAL DE POTÊNCIA
36	66069R0057	SENSOR TEMPERATURA L=800	43	66069R0053	TERMINAL PARA BOMBA
37	66069R0056	SENSOR TEMPERATURA L=1200	44	ACXXPR1001	COBERTURA DE INVERNO EV6/AC6/ST6/MI