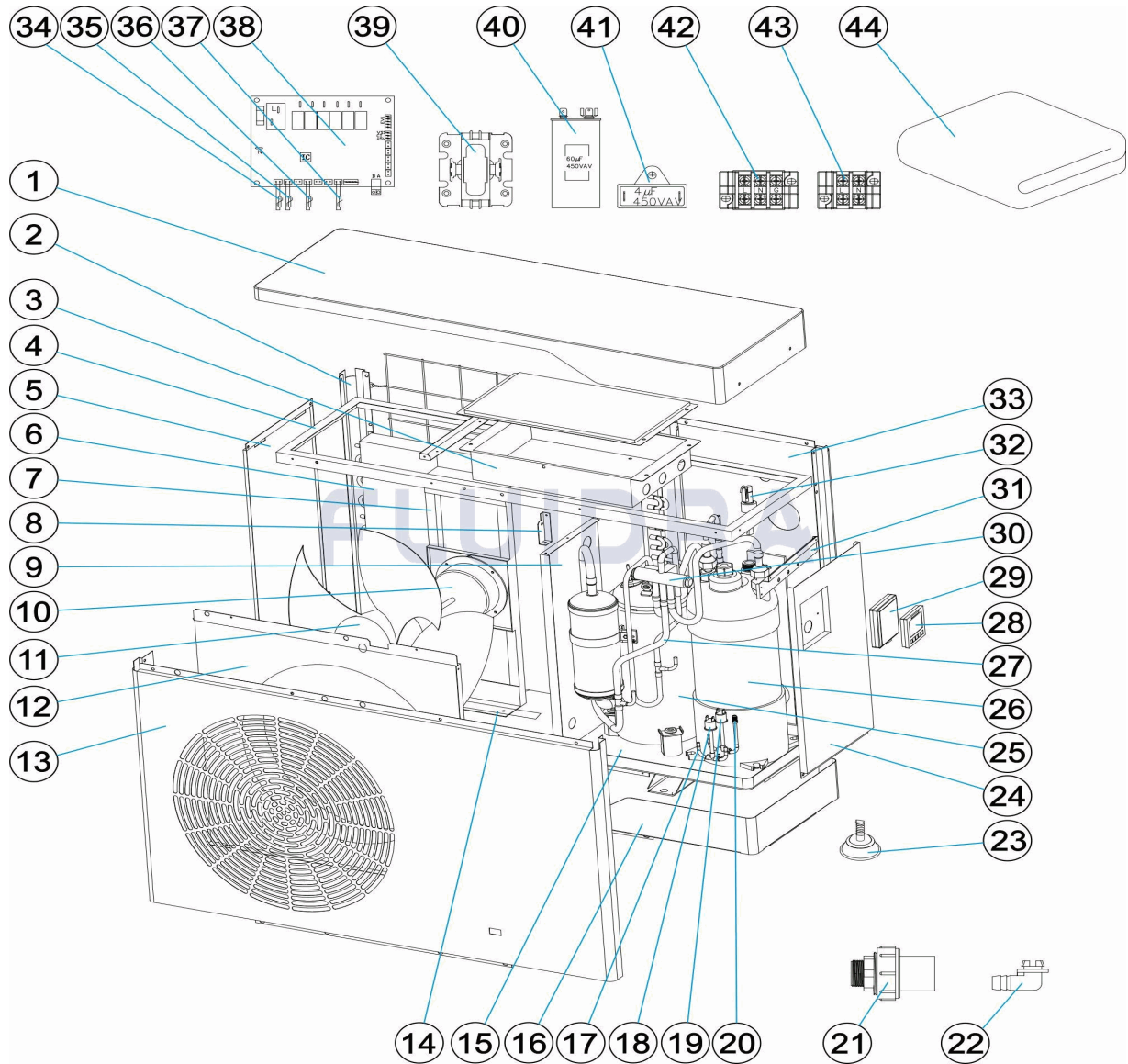


CODIGO **WH000422**

DESCRIPCION: **BOMBA DE CALOR PM40**



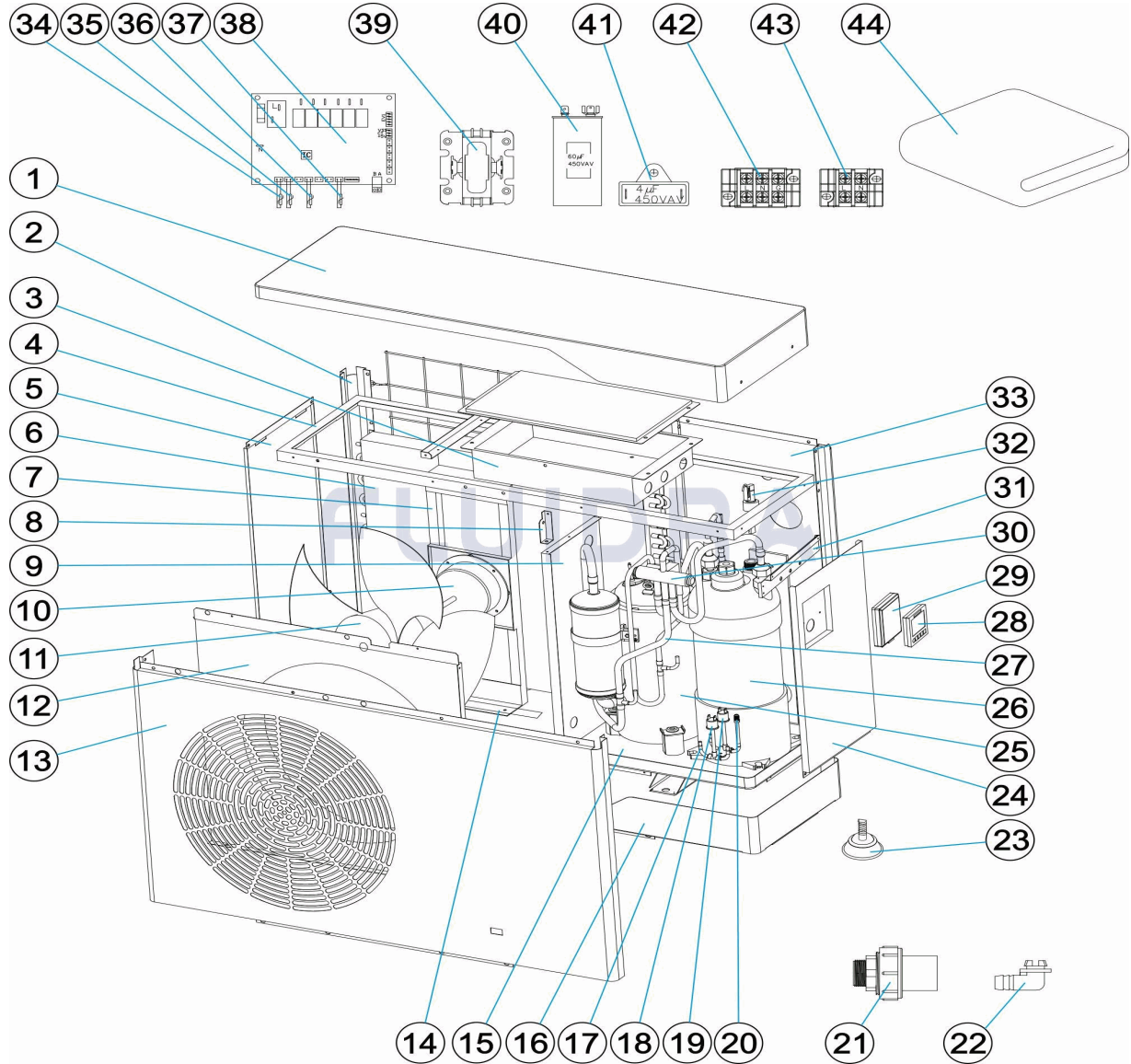
ESPAÑOL

POS	CODIGO	DESCRIPCION	CANTIDAD	POS	CODIGO	DESCRIPCION	CANTIDAD
1	66069R0302	TAPA SUPERIOR		16	66069R0317	TAPA FONDO	
2	66069R0315	SOPORTE PARA PANEL IZQUIERDO		17	66069R0015	TUBERÍAS PARA PRESOSTATO	
3	66069R0304	CAJA ELECTRICA		18	66069R0031	INTERRUPTOR ALTA PRESIÓN	
4	66069R0303	SOPORTE PARA TAPA SUPERIOR		19	66069R0032	INTERRUPTOR BAJA PRESIÓN	
5	66069R0305	PANEL IZQUIERDO		20	66069R0022	VÁLVULA PARA VACIADO/RELLENO	
6	67405R0021	EVAPORADOR		21	66069R0041	CONECTOR DE AGUA	
7	66069R0306	SOPORTE PARA VENTILADOR MOTOR		22	66069R0042	PURGA AGUA CONDENSACIÓN	
8	66069R0316	CONEXIÓN PLACA PANEL PARTICIÓN		23	66069R0102	PIES ANTIVIBRATORIOS	
9	66069R0307	PANEL PARTICIÓN		24	66069R0312	PANEL DERECHO	
10	67405R0022	MOTOR VENTILADOR		25	67405R0023	COMPRESOR	
11	67405R0009	ASPAS VENTILADOR		26	67405R0024	INTERCAMBIADOR DE TITANIO	
12	66069R0309	REJILLA VENTILADOR		27	66069R0313	TUBERÍAS PARA INTERCAMBIADOR	
13	66069R0308	PANEL FRONTAL		28	66069R3304	CONTROLADOR LCD (PM40)	

CODIGO **WH000422**DESCRIPCION: **BOMBA DE CALOR PM40**

14	66069R0039	RESISTENCIA DESHIELO	29	66069R0262	CAJA CONTROLADOR IMPERMEABLE
15	66069R0311	PANEL INFERIOR	30	66069R0310	VÁLVULA DE 4 VÍAS
31	66069R0318	CONEXIÓN PLACA TAPA SUPERIOR	38	66069R0060	PLACA BASE PCB
32	66069R0030	FLUJOSTATO	39	66070R0027	RELÉ PARA COMPRESOR
33	66069R0314	PANEL TRASERO	40	66071R0032	CONDENSADOR COMPRESOR
34	66069R0054	SENSOR TEMPERATURA L=1200	41	66071R0025	CONDENSADOR VENTILADOR (4UF)
35	66069R0055	SENSOR TEMP (L=1200 COBRE C-NEGRO)	42	66069R0052	TERMINAL DE POTENCIA
36	66069R0057	SENSOR TEMPERATURA L=800	43	66069R0053	TERMINAL PARA BOMBA
37	66069R0056	SENSOR TEMP (L=1200 COBRE C-VERDE)	44	ACXXPR1004	FUNDA HIBERNAL EV17-20/AC17-20/ST15/N

CODE **WH000422**

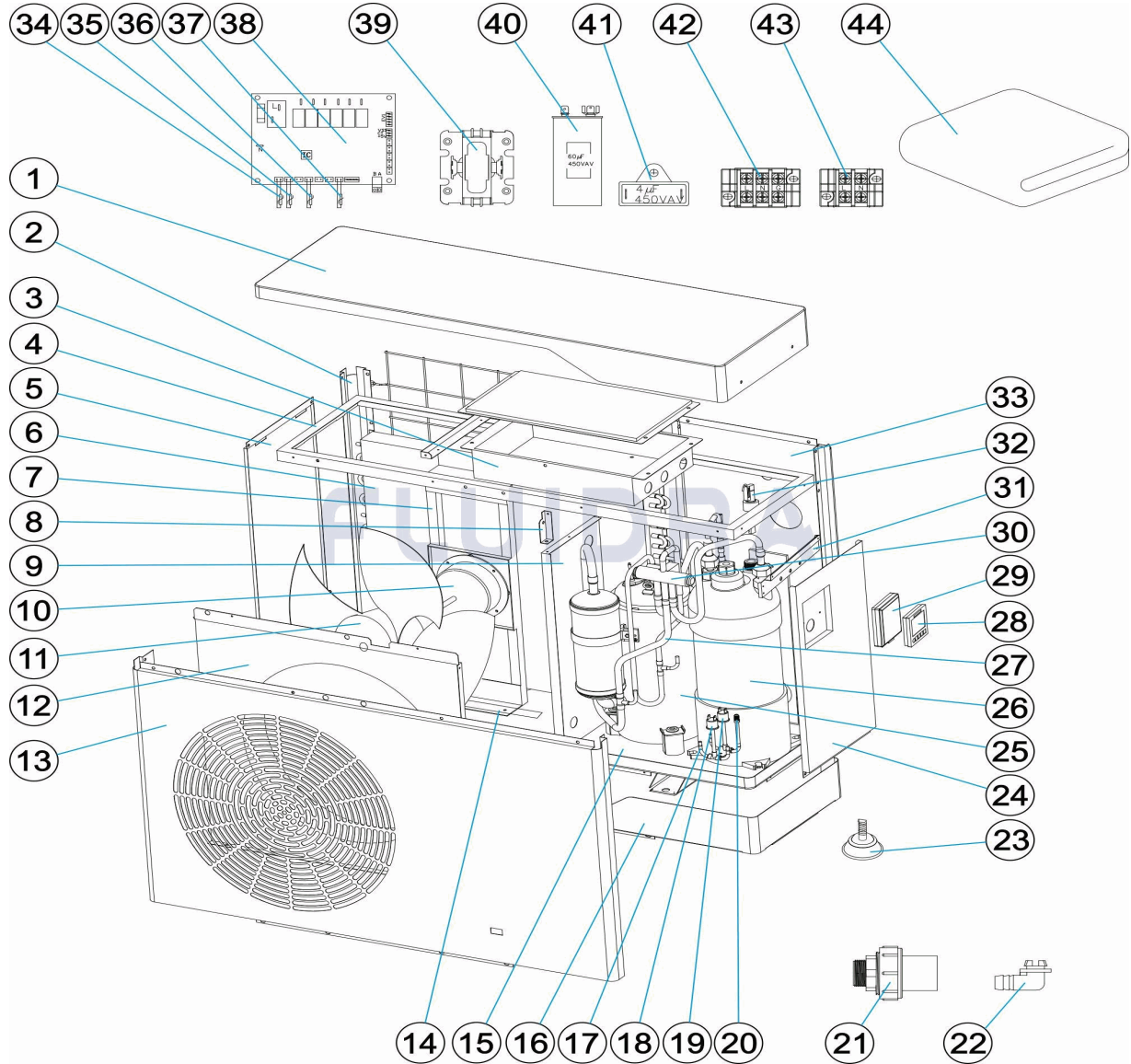
 DESCRIPTION: **POMPE À CHALEUR PM40**

FRANCAIS

POS	CODE	DESCRIPTION	QUANTITE	POS	CODE	DESCRIPTION	QUANTITE
1	66069R0302	COUVERCLE SUPÉRIEUR		16	66069R0317	COUVERCLE FOND	
2	66069R0315	SUPPORT POUR PANNEAU GAUCHE		17	66069R0015	TUYAUTERIES POUR PRESSOSTAT	
3	66069R0304	BOÎTIER ÉLECTRIQUE		18	66069R0031	INTERRUPTEUR HAUTE PRESSION	
4	66069R0303	SUPPORT POUR COUVERCLE SUPÉRIEUR		19	66069R0032	INTERRUPTEUR BASSE PRESSION	
5	66069R0305	PANNEAU GAUCHE		20	66069R0022	VANNE DE VIDANGE/REMPLISSAGE	
6	67405R0021	ÉVAPORATEUR		21	66069R0041	RACCORD EAU	
7	66069R0306	SUPPORT POUR VENTILATEUR MOTEUR		22	66069R0042	PURGE EAU CONDENSATION	
8	66069R0316	CONNEXION PLAQUE PANNEAU SÉPARAT		23	66069R0102	PIEDS ANTI-VIBRATION	
9	66069R0307	PANNEAU SÉPARATION		24	66069R0312	PANNEAU DROIT	
10	67405R0022	MOTEUR VENTILATEUR		25	67405R0023	COMPRESSEUR	
11	67405R0009	PALES VENTILATEUR		26	67405R0024	ÉCHANGEUR EN TITANE	
12	66069R0309	GRILLE VENTILATEUR		27	66069R0313	TUYAUTERIES POUR ÉCHANGEUR	
13	66069R0308	PANNEAU FRONTAL		28	66069R3304	CONTRÔLEUR LCD (PM40)	

CODE **WH000422**DESCRIPTION: **POMPE À CHALEUR PM40**

14	66069R0039	RÉSISTANCE DÉGEL	29	66069R0262	BOÎTIER CONTRÔLEUR ÉTANCHE
15	66069R0311	PANNEAU INFÉRIEUR	30	66069R0310	VANNE 4 VOIES
31	66069R0318	CONNEXION PLAQUE COUVERCLE SUPÉF	38	66069R0060	PLAQUE BASE PCB
32	66069R0030	FLUXOSTAT	39	66070R0027	RELAIS POUR COMPRESSEUR
33	66069R0314	PANNEAU ARRIÈRE	40	66071R0032	CONDENSATEUR COMPRESSEUR
34	66069R0054	CAPTEUR TEMPÉRATURE L=1200	41	66071R0025	CONDENSATEUR VENTILATEUR (4UF)
35	66069R0055	CAPTEUR TEMPÉRATURE L=1200	42	66069R0052	BORNE DE PUISSANCE
36	66069R0057	CAPTEUR TEMPÉRATURE L=800	43	66069R0053	BORNE POUR POMPE
37	66069R0056	CAPTEUR TEMPÉRATURE L=1200	44	ACXXPR1004	COUVERTURE D'HIVERNAGE EV17-20/AC1'

CODE **WH000422**

 DESCRIPTION: **HEAT PUMP PM40**

ENGLISH

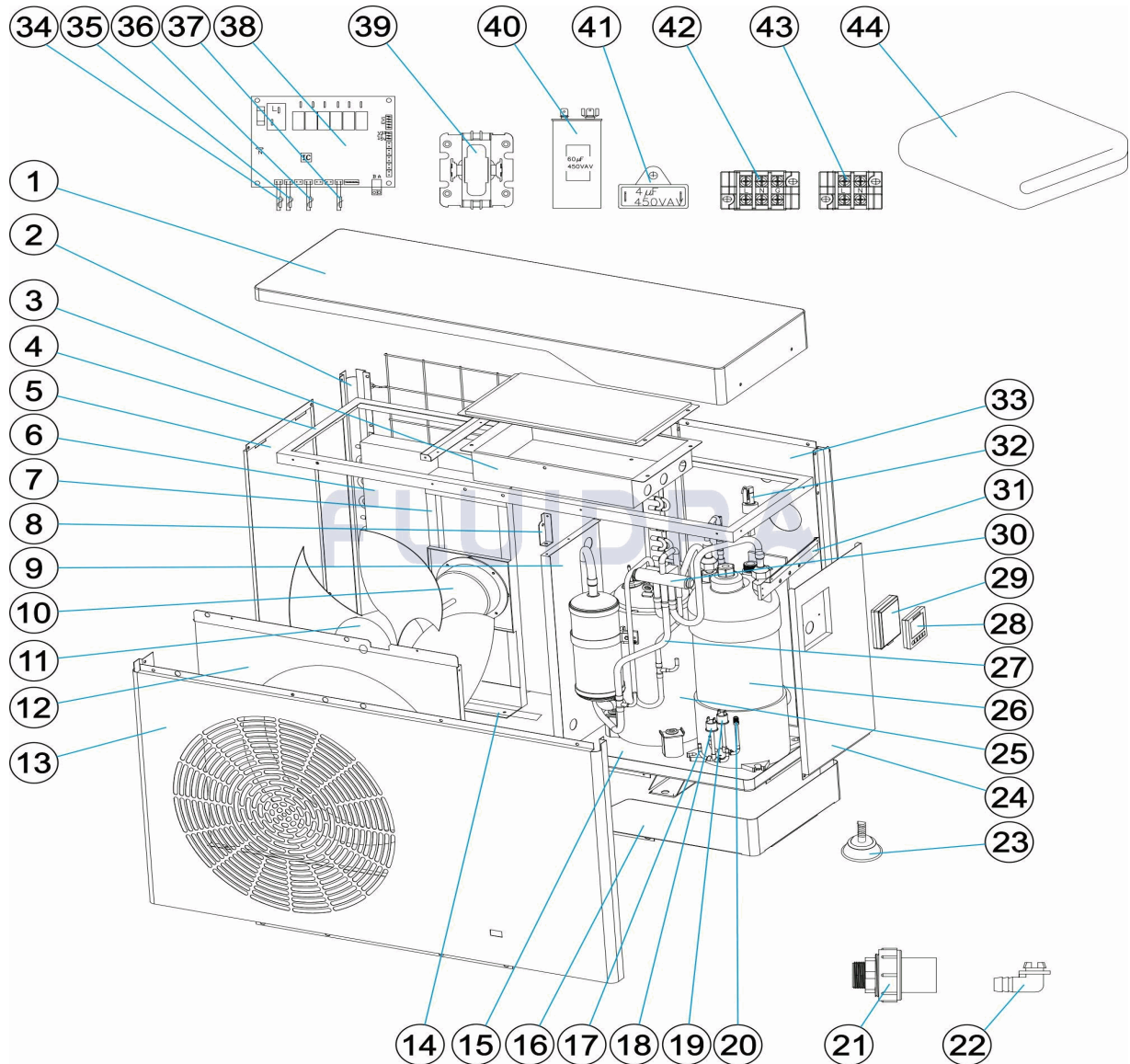
POS	CODE	DESCRIPTION	QUANTITY	POS	CODE	DESCRIPTION	QUANTITY
1	66069R0302	TOP CAP		16	66069R0317	BOTTOM COVER	
2	66069R0315	LEFT PANEL HOLDER		17	66069R0015	PIPEWORK FOR PRESSURE SWITCH	
3	66069R0304	ELECTRIC BOX		18	66069R0031	HIGH PRESSURE SWITCH	
4	66069R0303	TOP CAP HOLDER		19	66069R0032	LOW PRESSURE SWITCH	
5	66069R0305	LEFT SIDE PANEL		20	66069R0022	VALVE FOR VACUUM & FILLING	
6	67405R0021	EVAPORATOR		21	66069R0041	WATER CONNECTOR	
7	66069R0306	FAN MOTOR HOLDER		22	66069R0042	WATER CONDENSATION PURGE	
8	66069R0316	PARTITION PANEL CONNECTION PLATE		23	66069R0102	ANTI-VIBRATION FEET	
9	66069R0307	PARTITION PANEL		24	66069R0312	RIGHT SIDE PANEL	
10	67405R0022	FAN MOTOR		25	67405R0023	COMPRESSOR	
11	67405R0009	FAN BLADE		26	67405R0024	TITANIUM HEAT EXCHANGER	
12	66069R0309	FAN GUARD		27	66069R0313	PIPEWORK FOR HEAT EXCHANGER	
13	66069R0308	FRONT PANEL		28	66069R3304	LCD CONTROLLER (PM40)	

CODE **WH000422**

 DESCRIPTION: **HEAT PUMP PM40**

14	66069R0039	BOTTOM HEATER FOR EVAPORATOR	29	66069R0262	WATERPROOF CONTROLLER BOX
15	66069R0311	BOTTOM PANEL	30	66069R0310	4-WAY VALVE
31	66069R0318	TOP CAP CONNECTION PLATE	38	66069R0060	PCB MOTHER BOARD
32	66069R0030	WATER FLOW SWITCH	39	66070R0027	RELAY / CONTACTOR FOR COMPRESSOR
33	66069R0314	BACK PANEL	40	66071R0032	COMPRESSOR CAPACITOR
34	66069R0054	TEMP SENSOR (L=1200 COPPER C-RED)	41	66071R0025	FAN CAPACITOR (4UF)
35	66069R0055	TEMP SENSOR (L=1200 COPPER C-BLACK)	42	66069R0052	POWER TERMINAL
36	66069R0057	TEMP SENSOR (L=800 PLASTIC C-WHITE)	43	66069R0053	PUMP TERMINAL
37	66069R0056	TEMP SENSOR (L=1200 COPPER C-GREEN)	44	ACXXPR1004	WINTER COVER EV17-20/AC17-20/ST15/MD

CODICE **WH000422**

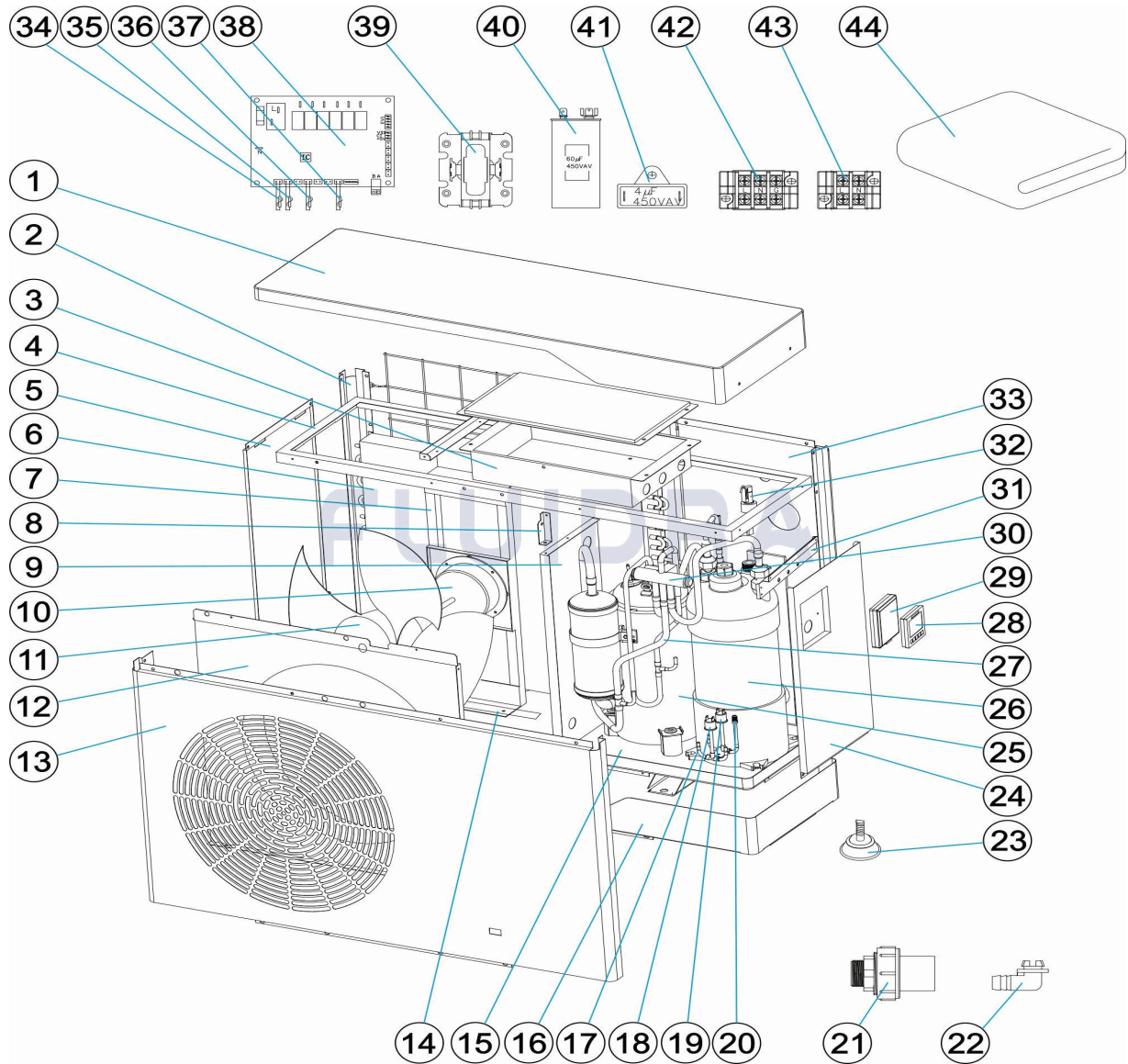
 DESCRIZIONE: **POMPA DI CALORE PM40**

ITALIANO

POS	CODICE	DESCRIZIONE	QUANTITA'	POS	CODICE	DESCRIZIONE	QUANTITA'
1	66069R0302	COPERCHIO SUPERIORE		16	66069R0317	COPERTURA FONDO	
2	66069R0315	SUPPORTO PER PANNELLO SINISTRO		17	66069R0015	TUBAZIONE PER PRESSOSTATO	
3	66069R0304	SCATOLA DI DERIVAZIONE		18	66069R0031	INTERRUTTORE ALTA PRESSIONE	
4	66069R0303	SUPPORTO PER COPERCHIO SUPERIORE		19	66069R0032	INTERRUTTORE BASSA PRESSIONE	
5	66069R0305	PANNELLO SINISTRO		20	66069R0022	VALVOLA DI SVUOTAMENTO/RIEMPIMENTC	
6	67405R0021	EVAPORATORE		21	66069R0041	CONNETTORE ACQUA	
7	66069R0306	SUPPORTO PER VENTILATORE MOTORE		22	66069R0042	SCARICO ACQUA CONDENSAZIONE	
8	66069R0316	CONNESSIONE PLACCA PANNELLO PARTI		23	66069R0102	PIEDINI ANTIVIBRAZIONE	
9	66069R0307	PANNELLO PARTIZIONE		24	66069R0312	PANNELLO DESTRO	
10	67405R0022	MOTORE VENTILATORE		25	67405R0023	COMPRESSORE	
11	67405R0009	PALE VENTILATORE		26	67405R0024	INTERCAMBIATORE IN TITANIO	
12	66069R0309	GRIGLIA VENTILATORE		27	66069R0313	TUBAZIONE PER INTERCAMBIATORE	
13	66069R0308	PANNELLO FRONTALE		28	66069R3304	CONTROLLER LCD (PM40)	

CODICE **WH000422**DESCRIZIONE: **POMPA DI CALORE PM40**

14	66069R0039	RESISTENZA DISGELO	29	66069R0262	SCATOLA CONTROLLO IMPERMEABILE
15	66069R0311	PANNELLO INFERIORE	30	66069R0310	VALVOLA A 4 VIE
31	66069R0318	CONNESSIONE PLACCA SINISTRA	38	66069R0060	SCHEDA BASE PCB
32	66069R0030	FLUSSOSTATO	39	66070R0027	RELÈ PER COMPRESSORE
33	66069R0314	PANNELLO INDIETRO	40	66071R0032	CONDENSATORE COMPRESSORE
34	66069R0054	SENSORE TEMPERATURA L=1200	41	66071R0025	CONDENSATORE VENTILATORE (4UF)
35	66069R0055	SENSORE TEMPERATURA L=1200	42	66069R0052	TERMINALE DI POTENZA
36	66069R0057	SENSORE TEMPERATURA L=800	43	66069R0053	TERMINALE PER POMPA
37	66069R0056	SENSORE TEMPERATURA L=1200	44	ACXXPR1004	COPERTA DI INVERNO EV17-20/AC17-20/ST

CODE **WH000422**

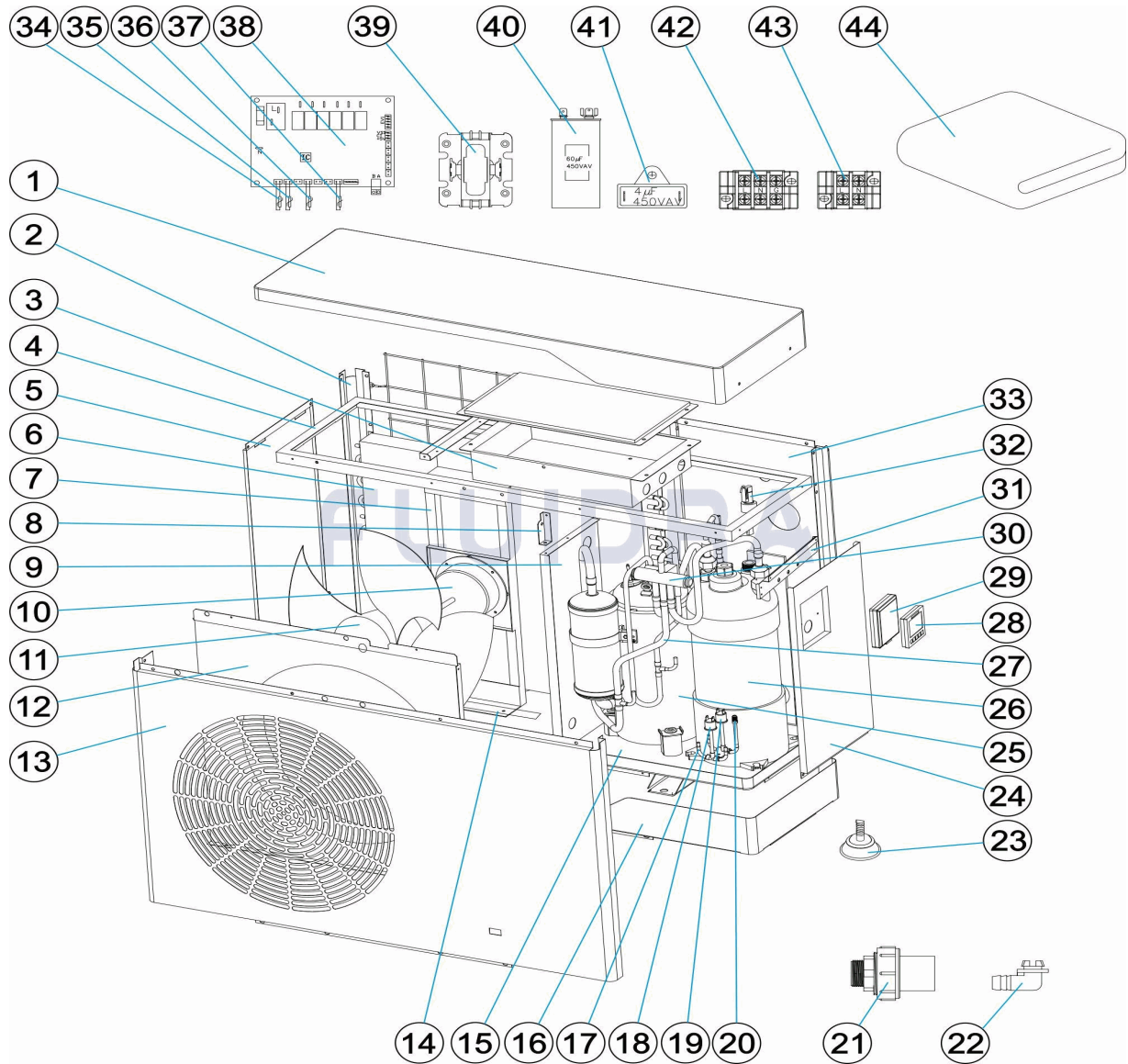
 BESCHREIBUNG: **WÄRMEPUMPE PM40**

DEUTSCH

POS	CODE	BESCHREIBUNG	MENGE	POS	CODE	BESCHREIBUNG	MENGE
1	66069R0302	ABDECKUNG OBEN		16	66069R0317	ABDECKUNG BASIS	
2	66069R0315	HALTERUNG FÜR PLATTE LINKS		17	66069R0015	VERROHRUNG DRUCKSCHALTER	
3	66069R0304	ELEKTRONIKSCHRANK		18	66069R0031	SCHALTER HOCHDRUCK	
4	66069R0303	HALTERUNG FÜR ABDECKUNG OBEN		19	66069R0032	SCHALTER TIEFDRUCK	
5	66069R0305	LINKENPLATTE		20	66069R0022	VENTIL BEFÜLLUNG/ENTLEERUNG	
6	67405R0021	VERDAMPFER		21	66069R0041	ANSCHLUSS WASSER	
7	66069R0306	HALTERUNG MOTORVENTILATOR		22	66069R0042	ABLASS KONDENSWASSER	
8	66069R0316	ANSCHLUSS ZWISCHENPLATTE PLAKETTI		23	66069R0102	ANTI-VIBRATIONSFÜSSE	
9	66069R0307	ZWISCHENPLATTE		24	66069R0312	RECHTENPLATTE	
10	67405R0022	VENTILATORMOTOR		25	67405R0023	KOMPRESSOR	
11	67405R0009	ROTORBLÄTTER VENTILATOR		26	67405R0024	WÄRMEÜBERTRAGER TITANIUM	
12	66069R0309	VENTILATORGITTER		27	66069R0313	VERROHRUNG WÄRMEÜBERTRAGER	
13	66069R0308	FRONTPLATTE		28	66069R3304	DRIVER LCD (PM40)	

CODE **WH000422**BESCHREIBUNG: **WÄRMEPUMPE PM40**

14	66069R0039	HEIZSTAB ENTEISER	29	66069R0262	WASSERDICHTER STEUERUNGSBOX
15	66069R0311	UNTERPLATTE	30	66069R0310	4-WEGE-VENTIL
31	66069R0318	ANSCHLUSS ABDECKUNG OBEN PLAKETT	38	66069R0060	BASISPLATTE PCB
32	66069R0030	DURCHFLUSSMESSER	39	66070R0027	KOMPRESSORRELAIS
33	66069R0314	FÜHRERHAUSRÜCKWAND	40	66071R0032	KOMPRESSORKONDENSATOR
34	66069R0054	TEMPERATURFÜHLER L=1200	41	66071R0025	VENTILATORKONDENSATOR (4 UF)
35	66069R0055	TEMPERATURFÜHLER L=1200	42	66069R0052	ANSCHLUSS
36	66069R0057	TEMPERATURFÜHLER L=800	43	66069R0053	ANSCHLUSS FÜR PUMPE
37	66069R0056	TEMPERATURFÜHLER L=1200	44	ACXPR1004	WINTERDECKEL EV17-20/AC17-20/ST15/MC

CODIGO **WH000422**

 DESCRIÇÃO: **BOMBA DE CALOR PM40**


PORTUGUES

POS	CODIGO	DESCRIÇÃO	JANTIDADE	POS	CODIGO	DESCRIÇÃO	JANTIDADE
1	66069R0302	TAMPA SUPERIOR		16	66069R0317	TAMPA FUNDO	
2	66069R0315	SUPORTE PARA PAINEL ESQUERDO		17	66069R0015	TUBAGENS PARA PRESSÓSTATO	
3	66069R0304	CAIXA ELÉTRICA		18	66069R0031	INTERRUPTOR ALTA PRESSÃO	
4	66069R0303	SUPORTE PARA TAMPA SUPERIOR		19	66069R0032	INTERRUPTOR BAIXA PRESSÃO	
5	66069R0305	PAINEL ESQUERDO		20	66069R0022	VÁLVULA PARA ESVAZIAR/ENCHER	
6	67405R0021	EVAPORADOR		21	66069R0041	TOMADA DE ABASTECIMENTO DE ÁGUA	
7	66069R0306	SUPORTE PARA VENTILADOR MOTOR		22	66069R0042	PURGA ÁGUA CONDESAÇÃO	
8	66069R0316	CONEXÃO PLACA PAINEL PARTIÇÃO		23	66069R0102	PÉS ANTIVIBRAÇÃO	
9	66069R0307	PAINEL PARTIÇÃO		24	66069R0312	PAINEL DIREITO	
10	67405R0022	MOTOR VENTILADOR		25	67405R0023	COMPRESSOR	
11	67405R0009	PÁS VENTILADOR		26	67405R0024	PERMUTADOR DE TITÂNIO	
12	66069R0309	GRADE VENTILADOR		27	66069R0313	TUBAGENS PARA PERMUTADOR	
13	66069R0308	PAINEL FRONTAL		28	66069R3304	CONTROLADOR LCD (PM40)	

CODIGO

WH000422DESCRICAÇÃO: **BOMBA DE CALOR PM40**

14	66069R0039	RESISTÊNCIA DESCONGELAÇÃO	29	66069R0262	CAIXA DE CONTROLE IMPERMEÁVEL
15	66069R0311	PAINEL INFERIOR	30	66069R0310	VÁLVULA DE 4 VIAS
31	66069R0318	CONEXÃO PLACA TAMPA SUPERIOR	38	66069R0060	PLACA BASE PCB
32	66069R0030	COMUTADOR DO CAUDAL DA ÁGUA	39	66070R0027	RELÉ PARA COMPRESSOR
33	66069R0314	PAINEL TRASEIRO	40	66071R0032	CONDENSADOR COMPRESSOR
34	66069R0054	SENSOR TEMPERATURA L=1200	41	66071R0025	CONDENSADOR VENTILADOR (4UF)
35	66069R0055	SENSOR TEMPERATURA L=1200	42	66069R0052	TERMINAL DE POTÊNCIA
36	66069R0057	SENSOR TEMPERATURA L=800	43	66069R0053	TERMINAL PARA BOMBA
37	66069R0056	SENSOR TEMPERATURA L=1200	44	ACXXPR1004	COBERTURA DE INVERNO EV17-20/AC17-2