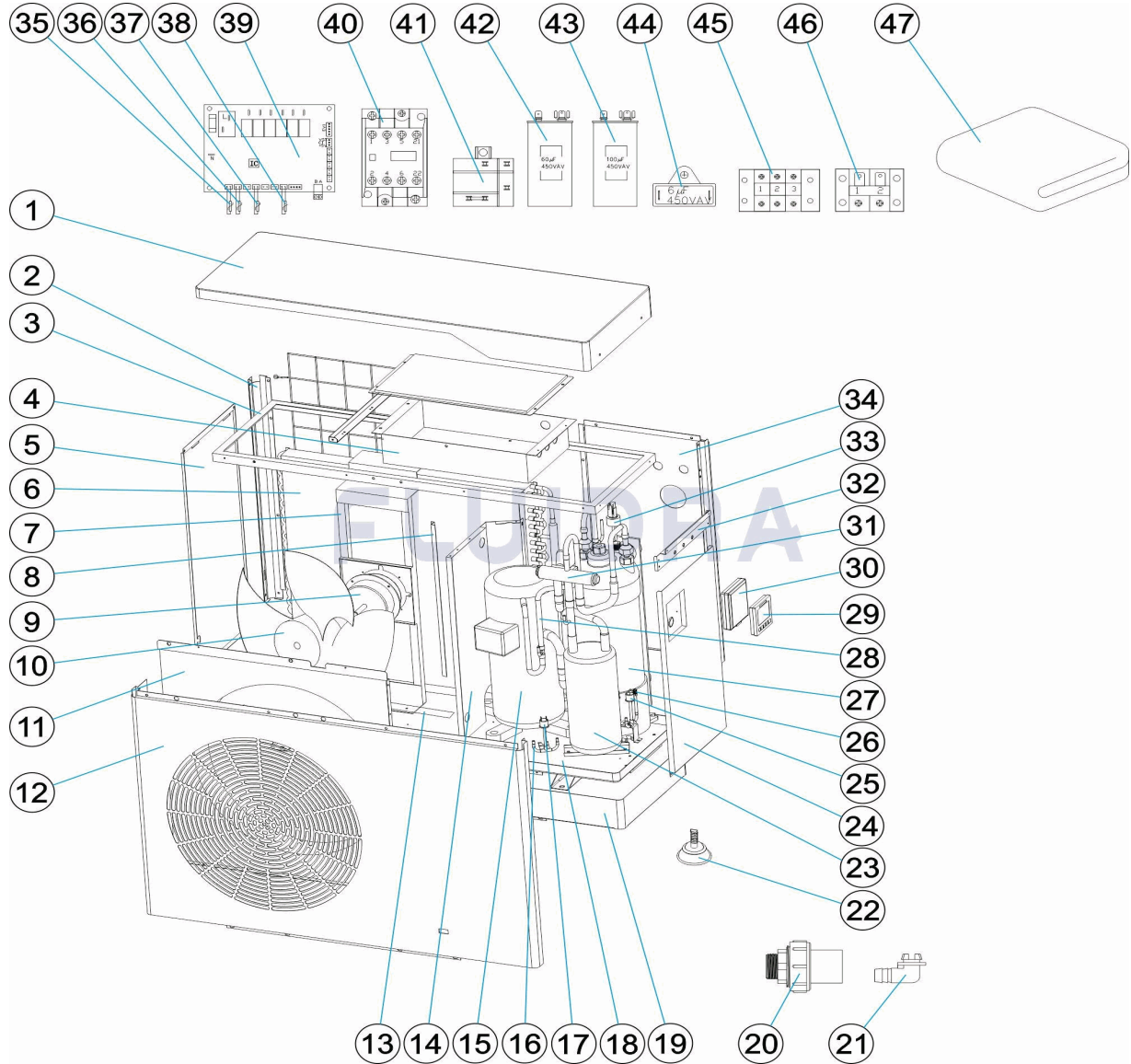


CODIGO **WH000426**

 DESCRIPCION: **BOMBA DE CALOR PM40**


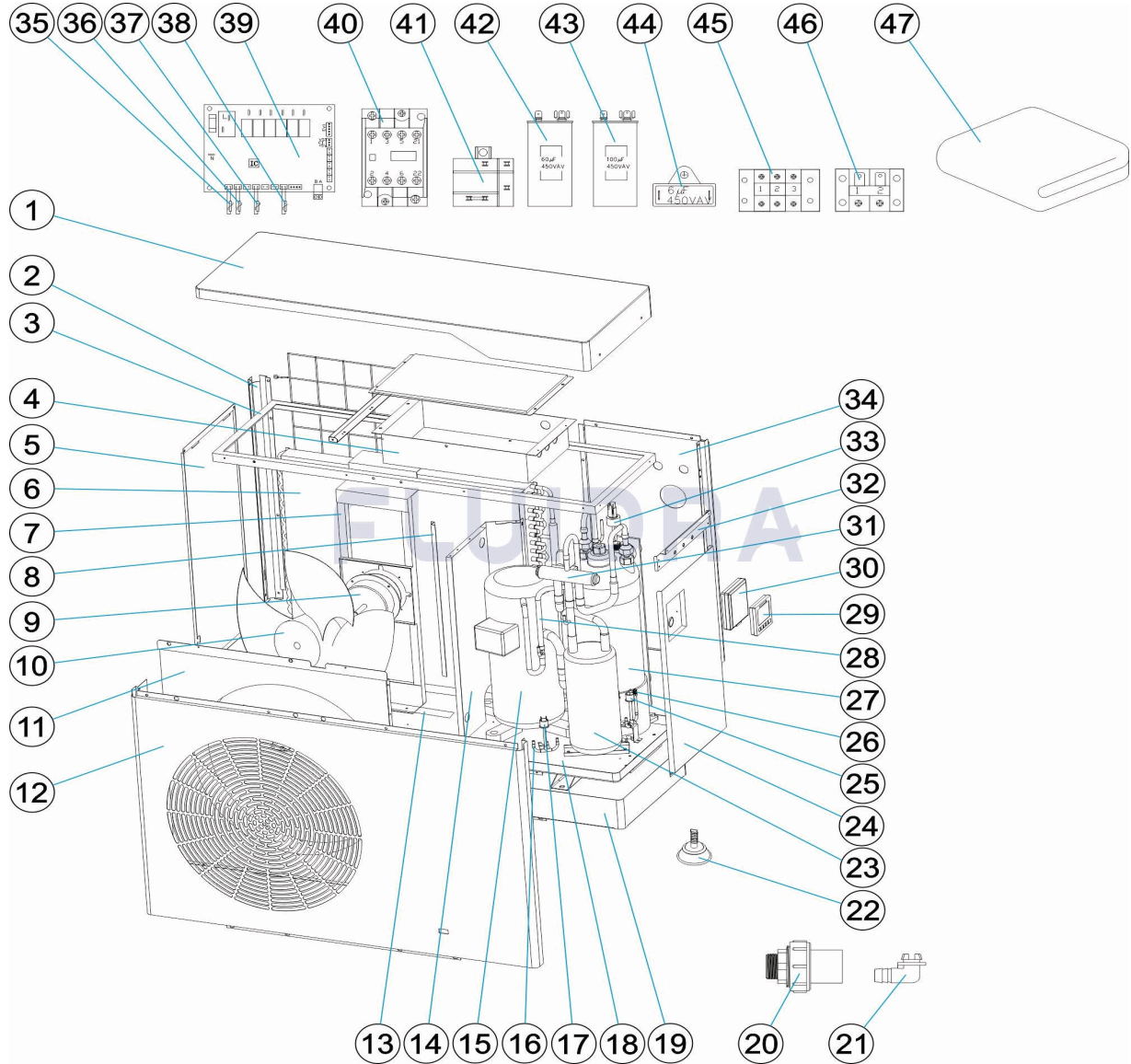
ESPAÑOL

POS	CODIGO	DESCRIPCION	CANTIDAD	POS	CODIGO	DESCRIPCION	CANTIDAD
1	66069R0334	TAPA SUPERIOR		16	66069R0015	TUBERÍAS PARA PRESOSTATO	
2	66069R0348	SOPORTE PARA PANEL IZQUIERDO		17	66069R0031	INTERRUPTOR ALTA PRESIÓN	
3	66069R0335	TAPA SUPERIOR		18	66069R0343	SOPORTE PANEL FRONTAL	
4	66069R0336	CAJA ELECTRICA		19	66069R0349	TAPA FONDO	
5	66069R0337	PANEL IZQUIERDO		20	66069R0041	CONECTOR DE AGUA	
6	66074R0004	EVAPORADOR		21	66069R0042	PURGA AGUA CONDENSACIÓN	
7	66069R0338	SOPORTE PARA VENTILADOR MOTOR		22	66069R0102	PIES ANTIVIBRATORIOS	
8	66069R0351	SOPORTE PANEL FRONTAL		23	66073R0043	SEPARADOR GAS-LÍQUIDO	
9	66074R0008	MOTOR VENTILADOR		24	66069R0344	PANEL DERECHO	
10	66074R0009	ASPAS VENTILADOR		25	66069R0032	INTERRUPTOR BAJA PRESIÓN	
11	66069R0341	REJILLA VENTILADOR		26	66069R0022	VÁLVULA PARA VACIADO/RELLENO	
12	66069R0340	PANEL FRONTAL		27	66074R0041	INTERCAMBIADOR DE TITANIO	
13	66069R0039	RESISTENCIA DESHIELO		28	66069R0345	TUBERÍAS PARA INTERCAMBIADOR	

CODIGO **WH000426**DESCRIPCION: **BOMBA DE CALOR PM40**

14	66069R0339	PANEL PARTICIÓN	29	66069R3304	CONTROLADOR LCD (PM40)
15	66082R0012	COMPRESOR	30	66069R0262	CAJA CONTROLADOR IMPERMEABLE
31	66073R0013	VÁLVULA DE 4 VÍAS	40	66082R0027	RELÉ PARA COMPRESOR
32	66069R0350	CONEXIÓN PLACA TAPA SUPERIOR	41	66069R0328	RELÉ
33	66069R0030	FLUJOSTATO	42	66071R0032	CONDENSADOR COMPRESOR
34	66069R0346	PANEL TRASERO	43	66069R0329	CONDENSADOR ARRAQUE
35	66069R0054	SENSOR TEMPERATURA L=1200	44	66073R0025	CONDENSADOR VENTILADOR (6UF)
36	66069R0055	SENSOR TEMP (L=1200 COBRE C-NEGRO)	45	66073R0036	TERMINAL DE POTENCIA
37	66069R0057	SENSOR TEMPERATURA L=800	46	66069R0053	TERMINAL PARA BOMBA
38	66069R0347	SENSOR TEMPERATURA L=2000	47	ACXXPR1005	FUNDA HIBERNAL EV25/AC25/ST20-25/MD-
39	66069R0060	PLACA BASE PCB			

CODE **WH000426**

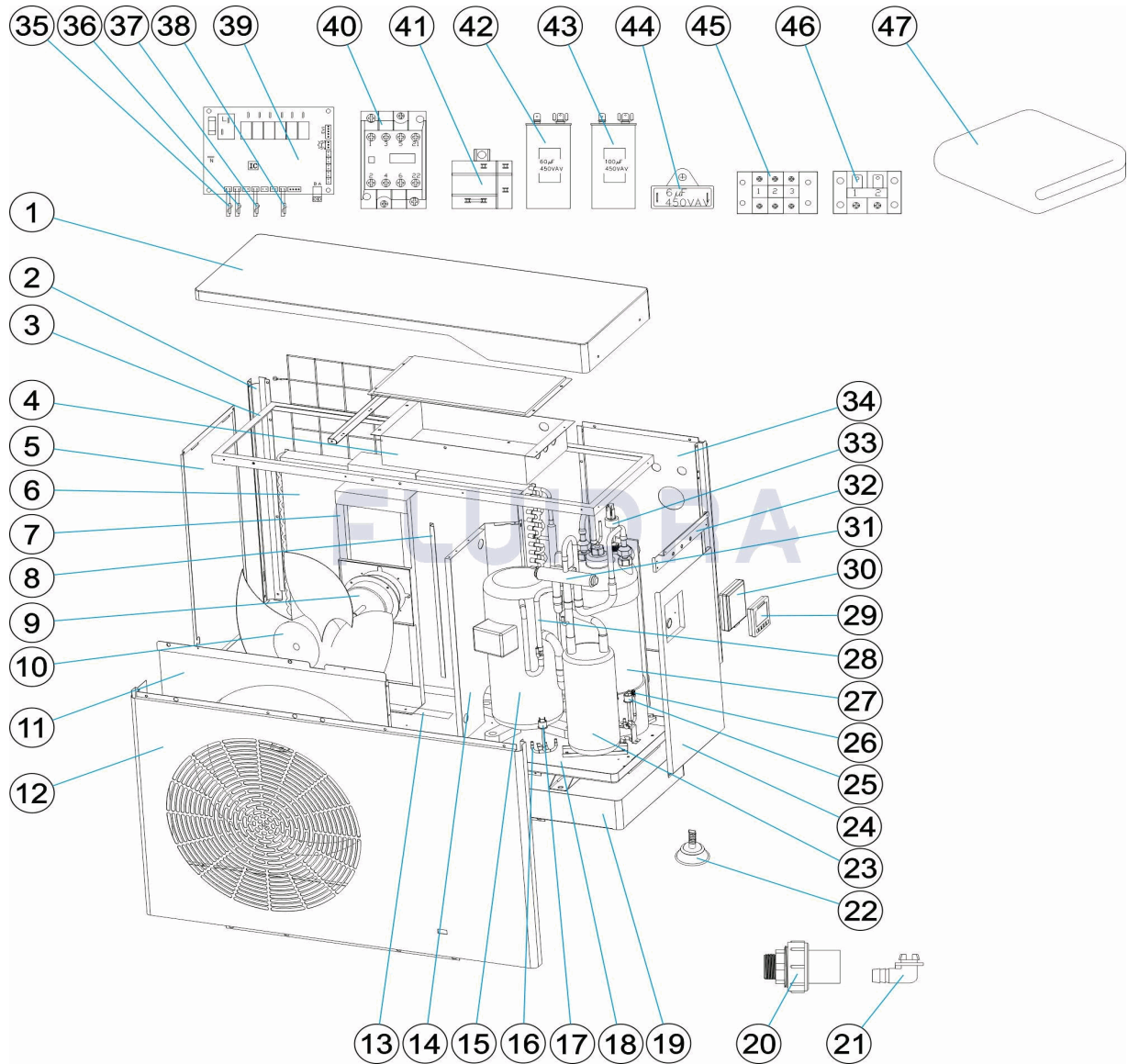
 DESCRIPTION: **POMPE À CHALEUR PM40**

FRANCAIS

POS	CODE	DESCRIPTION	QUANTITE	POS	CODE	DESCRIPTION	QUANTITE
1	66069R0334	COUVERCLE SUPÉRIEUR		16	66069R0015	TUYAUTERIES POUR PRESSOSTAT	
2	66069R0348	SUPPORT POUR PANNEAU GAUCHE		17	66069R0031	INTERRUPTEUR HAUTE PRESSION	
3	66069R0335	COUVERCLE SUPÉRIEUR		18	66069R0343	SUPPORT PANNEAU FRONTAL	
4	66069R0336	BOÎTIER ÉLECTRIQUE		19	66069R0349	COUVERCLE FOND	
5	66069R0337	PANNEAU GAUCHE		20	66069R0041	RACCORD EAU	
6	66074R0004	ÉVAPORATEUR		21	66069R0042	PURGE EAU CONDENSATION	
7	66069R0338	SUPPORT POUR VENTILATEUR MOTEUR		22	66069R0102	PIEDS ANTI-VIBRATION	
8	66069R0351	SUPPORT PANNEAU FRONTAL		23	66073R0043	SÉPARATEUR GAZ/LIQUIDE	
9	66074R0008	MOTEUR VENTILATEUR		24	66069R0344	PANNEAU DROIT	
10	66074R0009	PALES VENTILATEUR		25	66069R0032	INTERRUPTEUR BASSE PRESSION	
11	66069R0341	GRILLE VENTILATEUR		26	66069R0022	VANNE DE VIDANGE/REMPLISSAGE	
12	66069R0340	PANNEAU FRONTAL		27	66074R0041	ÉCHANGEUR EN TITANE	
13	66069R0039	RÉSISTANCE DÉGEL		28	66069R0345	TUYAUTERIES POUR ÉCHANGEUR	

CODE **WH000426**DESCRIPTION: **POMPE À CHALEUR PM40**

14	66069R0339	PANNEAU SÉPARATION	29	66069R3304	CONTRÔLEUR LCD (PM40)
15	66082R0012	COMPRESSEUR	30	66069R0262	BOÎTIER CONTRÔLEUR ÉTANCHE
31	66073R0013	VANNE 4 VOIES	40	66082R0027	RELAIS POUR COMPRESSEUR
32	66069R0350	CONNEXION PLAQUE COUVERCLE SUPÉF	41	66069R0328	RELAIS
33	66069R0030	FLUXOSTAT	42	66071R0032	CONDENSATEUR COMPRESSEUR
34	66069R0346	PANNEAU ARRIÈRE	43	66069R0329	CONDENSATEUR DÉMARREUR
35	66069R0054	CAPTEUR TEMPÉRATURE L=1200	44	66073R0025	CONDENSATEUR VENTILATEUR (6UF)
36	66069R0055	CAPTEUR TEMPÉRATURE L=1200	45	66073R0036	BORNE DE PUISSANCE
37	66069R0057	CAPTEUR TEMPÉRATURE L=800	46	66069R0053	BORNE POUR POMPE
38	66069R0347	CAPTEUR TEMPÉRATURE L=2000	47	ACXXPR1005	COUVERTURE D'HIVERNAGE EV25/AC25/S
39	66069R0060	PLAQUE BASE PCB			

CODE **WH000426**

 DESCRIPTION: **HEAT PUMP PM40**

ENGLISH

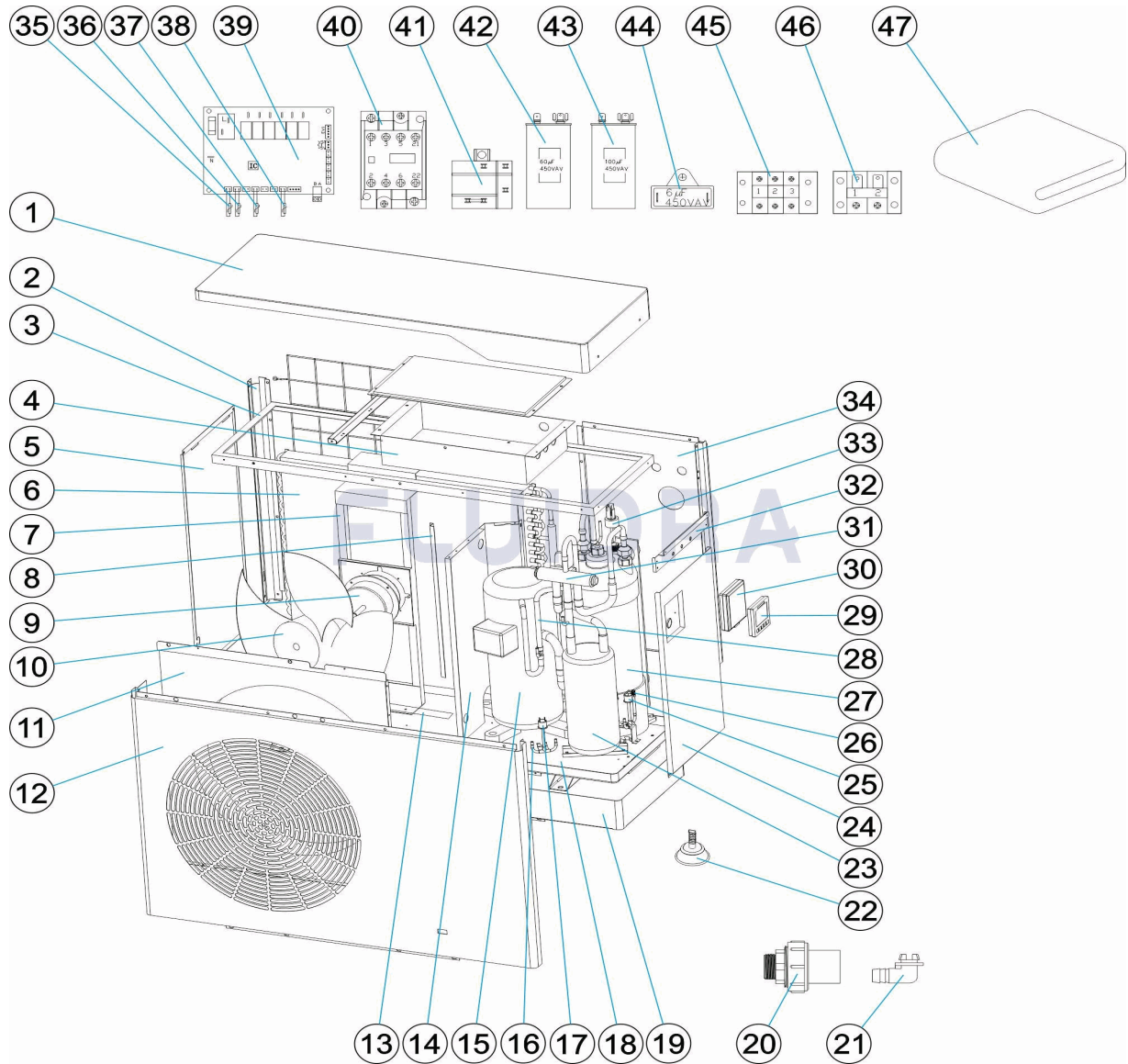
POS	CODE	DESCRIPTION	QUANTITY	POS	CODE	DESCRIPTION	QUANTITY
1	66069R0334	TOP CAP		16	66069R0015	PIPEWORK FOR PRESSURE SWITCH	
2	66069R0348	LEFT PANEL HOLDER		17	66069R0031	HIGH PRESSURE SWITCH	
3	66069R0335	TOP CAP		18	66069R0343	FRONT PANEL HOLDER	
4	66069R0336	ELECTRIC BOX		19	66069R0349	BOTTOM COVER	
5	66069R0337	LEFT SIDE PANEL		20	66069R0041	WATER CONNECTOR	
6	66074R0004	EVAPORATOR		21	66069R0042	WATER CONDENSATION PURGE	
7	66069R0338	FAN MOTOR HOLDER		22	66069R0102	ANTI-VIBRATION FEET	
8	66069R0351	FRONT PANEL HOLDER		23	66073R0043	GAS-LIQUID SEPARATOR	
9	66074R0008	FAN MOTOR		24	66069R0344	RIGHT SIDE PANEL	
10	66074R0009	FAN BLADE		25	66069R0032	LOW PRESSURE SWITCH	
11	66069R0341	FAN GUARD		26	66069R0022	VALVE FOR VACUUM & FILLING	
12	66069R0340	FRONT PANEL		27	66074R0041	TITANIUM HEAT EXCHANGER	
13	66069R0039	BOTTOM HEATER FOR EVAPORATOR		28	66069R0345	PIPEWORK FOR HEAT EXCHANGER	

CODE **WH000426**

 DESCRIPTION: **HEAT PUMP PM40**

14	66069R0339	PARTITION PANEL	29	66069R3304	LCD CONTROLLER (PM40)
15	66082R0012	COMPRESSOR	30	66069R0262	WATERPROOF CONTROLLER BOX
31	66073R0013	4-WAY VALVE	40	66082R0027	RELAY / CONTACTOR FOR COMPRESSOR
32	66069R0350	TOP CAP CONNECTION PLATE	41	66069R0328	RELAY
33	66069R0030	WATER FLOW SWITCH	42	66071R0032	COMPRESSOR CAPACITOR
34	66069R0346	BACK PANEL	43	66069R0329	CAPACITOR STARTER
35	66069R0054	TEMP SENSOR (L=1200 COPPER C-RED)	44	66073R0025	FAN CAPACITOR (6UF)
36	66069R0055	TEMP SENSOR (L=1200 COPPER C-BLACK)	45	66073R0036	POWER TERMINAL
37	66069R0057	TEMP SENSOR (L=800 PLASTIC C-WHITE)	46	66069R0053	PUMP TERMINAL
38	66069R0347	TEMP SENSOR (L=2000 COPPER C-GREEN)	47	ACXXPR1005	WINTER COVER EV25/AC25/ST20-25/MD-TI
39	66069R0060	PCB MOTHER BOARD			

CODICE **WH000426**

 DESCRIZIONE: **POMPA DI CALORE PM40**

ITALIANO

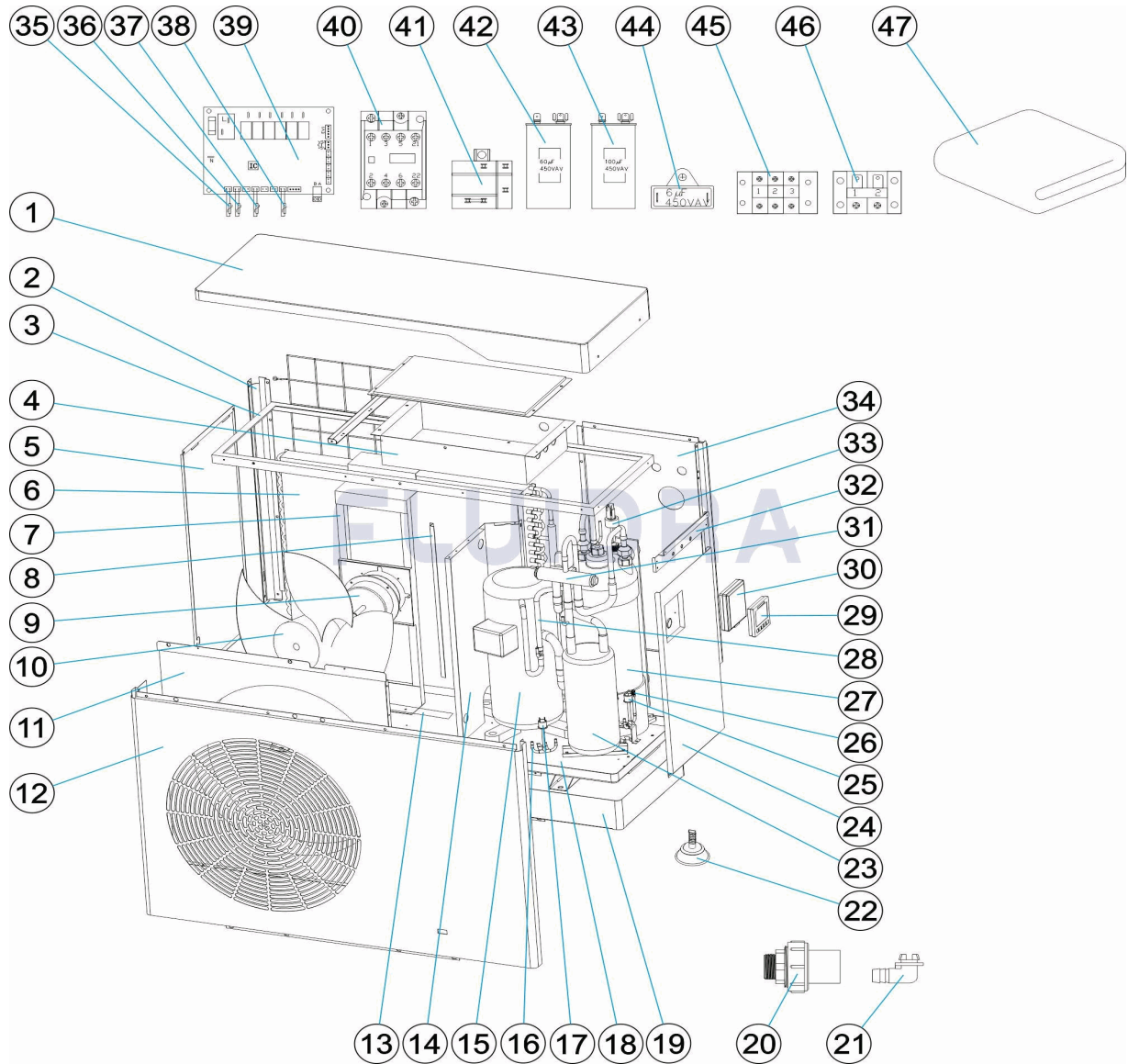
POS	CODICE	DESCRIZIONE	QUANTITA'	POS	CODICE	DESCRIZIONE	QUANTITA'
1	66069R0334	COPERCHIO SUPERIORE		16	66069R0015	TUBAZIONE PER PRESSOSTATO	
2	66069R0348	SUPPORTO PER PANNELLO SINISTRO		17	66069R0031	INTERRUTTORE ALTA PRESSIONE	
3	66069R0335	COPERCHIO SUPERIORE		18	66069R0343	SUPPORTO PANNELLO FRONTALE	
4	66069R0336	SCATOLA DI DERIVAZIONE		19	66069R0349	COPERTURA FONDO	
5	66069R0337	PANNELLO SINISTRO		20	66069R0041	CONNETTORE ACQUA	
6	66074R0004	EVAPORATORE		21	66069R0042	SCARICO ACQUA CONDENSAZIONE	
7	66069R0338	SUPPORTO PER VENTILATORE MOTORE		22	66069R0102	PIEDINI ANTIVIBRAZIONE	
8	66069R0351	SUPPORTO PANNELLO FRONTALE		23	66073R0043	SEPARATORE GAS-LIQUIDO	
9	66074R0008	MOTORE VENTILATORE		24	66069R0344	PANNELLO DESTRO	
10	66074R0009	PALE VENTILATORE		25	66069R0032	INTERRUTTORE BASSA PRESSIONE	
11	66069R0341	GRIGLIA VENTILATORE		26	66069R0022	VALVOLA DI SVUOTAMENTO/RIEMPIMENTC	
12	66069R0340	PANNELLO FRONTALE		27	66074R0041	INTERCAMBIATORE IN TITANIO	
13	66069R0039	RESISTENZA DISGELO		28	66069R0345	TUBAZIONE PER INTERCAMBIATORE	

CODICE **WH000426**DESCRIZIONE: **POMPA DI CALORE PM40**

14	66069R0339	PANNELLO PARTIZIONE	29	66069R3304	CONTROLLER LCD (PM40)
15	66082R0012	COMPRESSORE	30	66069R0262	SCATOLA CONTROLLO IMPERMEABILE
31	66073R0013	VALVOLA A 4 VIE	40	66082R0027	RELÈ PER COMPRESSORE
32	66069R0350	CONNESSIONE PLACCA SINISTRA	41	66069R0328	RELÈ
33	66069R0030	FLUSSOSTATO	42	66071R0032	CONDENSATORE COMPRESSORE
34	66069R0346	PANNELLO INDIETRO	43	66069R0329	CONDENSATORE STARTER
35	66069R0054	SENSORE TEMPERATURA L=1200	44	66073R0025	CONDENSATORE VENTILATORE (6UF)
36	66069R0055	SENSORE TEMPERATURA L=1200	45	66073R0036	TERMINALE DI POTENZA
37	66069R0057	SENSORE TEMPERATURA L=800	46	66069R0053	TERMINALE PER POMPA
38	66069R0347	SENSORE TEMPERATURA L=2000	47	ACXXPR1005	COPERTA DI INVERNO EV25/AC25/ST20-25/
39	66069R0060	SCHEDA BASE PCB			

CODE

WH000426

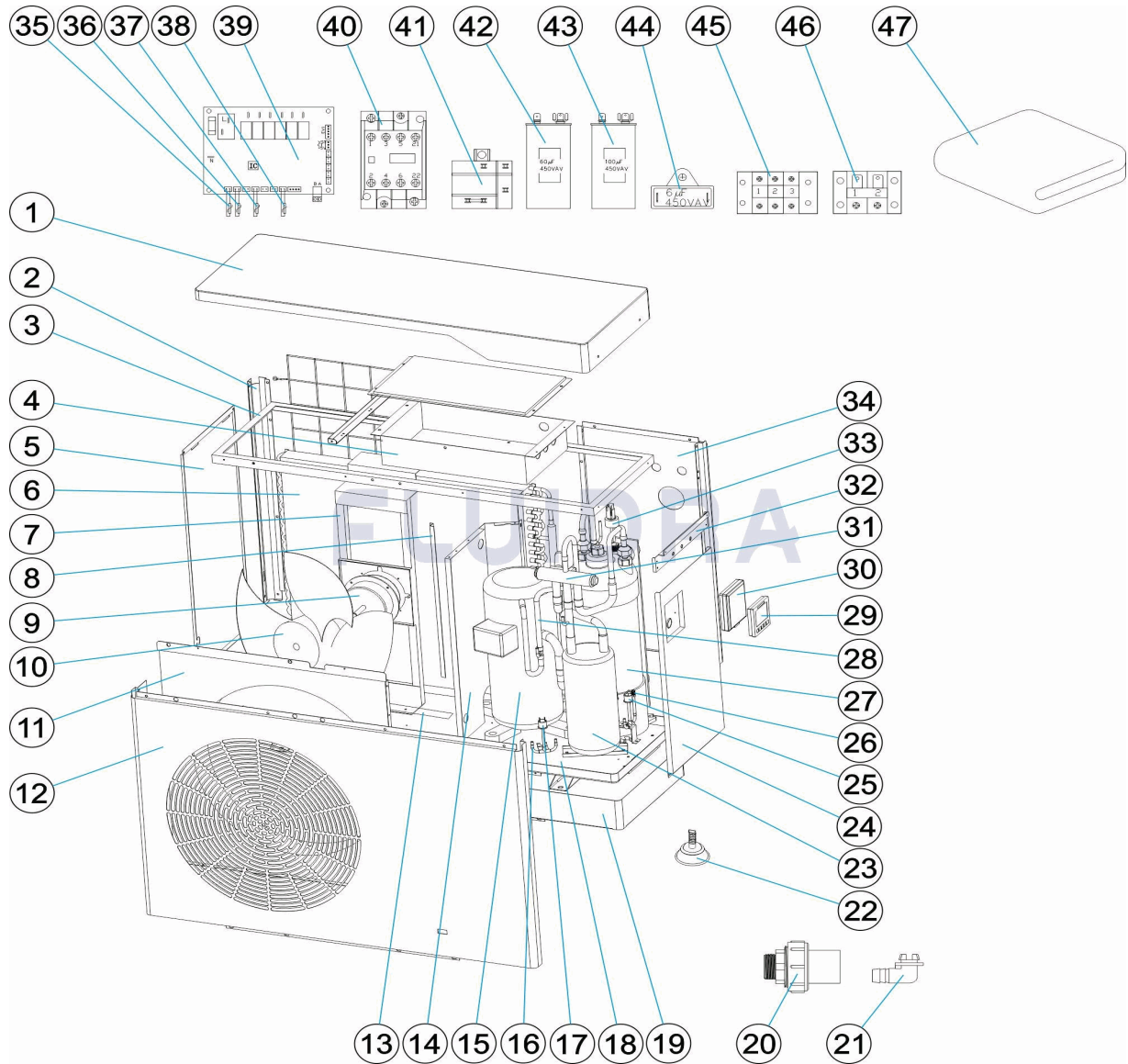
 BESCHREIBUNG: **WÄRMEPUMPE PM40**

DEUTSCH

POS	CODE	BESCHREIBUNG	MENGE	POS	CODE	BESCHREIBUNG	MENGE
1	66069R0334	ABDECKUNG OBEN		16	66069R0015	VERROHRUNG DRUCKSCHALTER	
2	66069R0348	HALTERUNG FÜR PLATTE LINKS		17	66069R0031	SCHALTER HOCHDRUCK	
3	66069R0335	ABDECKUNG OBEN		18	66069R0343	HALTERUNG FRONTPLATTE	
4	66069R0336	ELEKTRONIKSCHRANK		19	66069R0349	ABDECKUNG BASIS	
5	66069R0337	LINKENPLATTE		20	66069R0041	ANSCHLUSS WASSER	
6	66074R0004	VERDAMPFER		21	66069R0042	ABLASS KONDENSWASSER	
7	66069R0338	HALTERUNG MOTORVENTILATOR		22	66069R0102	ANTI-VIBRATIONSFÜSSE	
8	66069R0351	HALTERUNG FRONTPLATTE		23	66073R0043	GAS-FLÜSSIGKEITS-ABTRENNER	
9	66074R0008	VENTILATORMOTOR		24	66069R0344	RECHTENPLATTE	
10	66074R0009	ROTORBLÄTTER VENTILATOR		25	66069R0032	SCHALTER TIEFDRUCK	
11	66069R0341	VENTILATORGITTER		26	66069R0022	VENTIL BEFÜLLUNG/ENTLEERUNG	
12	66069R0340	FRONTPLATTE		27	66074R0041	WÄRMEÜBERTRAGER TITANIUM	
13	66069R0039	HEIZSTAB ENTEISER		28	66069R0345	VERROHRUNG WÄRMEÜBERTRAGER	

CODE **WH000426**BESCHREIBUNG: **WÄRMEPUMPE PM40**

14	66069R0339	ZWISCHENPLATTE	29	66069R3304	DRIVER LCD (PM40)
15	66082R0012	KOMPRESSOR	30	66069R0262	WASSERDICHT STEUERUNGSBOX
31	66073R0013	4-WEGE-VENTIL	40	66082R0027	KOMPRESSORRELAIS
32	66069R0350	ANSCHLUSS ABDECKUNG OBEN PLAKETT	41	66069R0328	RELAIS
33	66069R0030	DURCHFLUSSMESSER	42	66071R0032	KOMPRESSORKONDENSATOR
34	66069R0346	FÜHRERHAUSRÜCKWAND	43	66069R0329	ANLAUFKONDENSATOR
35	66069R0054	TEMPERATURFÜHLER L=1200	44	66073R0025	VENTILATORKONDENSATOR (6 UF)
36	66069R0055	TEMPERATURFÜHLER L=1200	45	66073R0036	ANSCHLUSS
37	66069R0057	TEMPERATURFÜHLER L=800	46	66069R0053	ANSCHLUSS FÜR PUMPE
38	66069R0347	TEMPERATURFÜHLER L=2000	47	ACXXPR1005	WINTERDECKEL EV25/AC25/ST20-25/MD-TI
39	66069R0060	BASISPLATTE PCB			

CODIGO **WH000426**

 DESCRIÇÃO: **BOMBA DE CALOR PM40**


PORTUGUES

POS	CODIGO	DESCRIÇÃO	JANTIDADE	POS	CODIGO	DESCRIÇÃO	JANTIDADE
1	66069R0334	TAMPA SUPERIOR		16	66069R0015	TUBAGENS PARA PRESSÓSTATO	
2	66069R0348	SUPORTE PARA PAINEL ESQUERDO		17	66069R0031	INTERRUPTOR ALTA PRESSÃO	
3	66069R0335	TAMPA SUPERIOR		18	66069R0343	SUPORTE PAINEL FRONTAL	
4	66069R0336	CAIXA ELÉTRICA		19	66069R0349	TAMPA FUNDO	
5	66069R0337	PAINEL ESQUERDO		20	66069R0041	TOMADA DE ABASTECIMENTO DE ÁGUA	
6	66074R0004	EVAPORADOR		21	66069R0042	PURGA ÁGUA CONDESAÇÃO	
7	66069R0338	SUPORTE PARA VENTILADOR MOTOR		22	66069R0102	PÉS ANTIVIBRAÇÃO	
8	66069R0351	SUPORTE PAINEL FRONTAL		23	66073R0043	SEPARADOR GÁS-LÍQUIDO	
9	66074R0008	MOTOR VENTILADOR		24	66069R0344	PAINEL DIREITO	
10	66074R0009	PÁS VENTILADOR		25	66069R0032	INTERRUPTOR BAIXA PRESSÃO	
11	66069R0341	GRADE VENTILADOR		26	66069R0022	VÁLVULA PARA ESVAZIAR/ENCHER	
12	66069R0340	PAINEL FRONTAL		27	66074R0041	PERMUTADOR DE TITÂNIO	
13	66069R0039	RESISTÊNCIA DESCONGELAÇÃO		28	66069R0345	TUBAGENS PARA PERMUTADOR	

CODIGO **WH000426**DESCRIÇÃO: **BOMBA DE CALOR PM40**

14	66069R0339	PAINEL PARTIÇÃO	29	66069R3304	CONTROLADOR LCD (PM40)
15	66082R0012	COMPRESSOR	30	66069R0262	CAIXA DE CONTROLE IMPERMEÁVEL
31	66073R0013	VÁLVULA DE 4 VIAS	40	66082R0027	RELÉ PARA COMPRESSOR
32	66069R0350	CONEXÃO PLACA TAMPA SUPERIOR	41	66069R0328	RELÉ
33	66069R0030	COMUTADOR DO CAUDAL DA ÁGUA	42	66071R0032	CONDENSADOR COMPRESSOR
34	66069R0346	PAINEL TRASEIRO	43	66069R0329	CONDENSADOR ARRAQUE
35	66069R0054	SENSOR TEMPERATURA L=1200	44	66073R0025	CONDENSADOR VENTILADOR (6UF)
36	66069R0055	SENSOR TEMPERATURA L=1200	45	66073R0036	TERMINAL DE POTÊNCIA
37	66069R0057	SENSOR TEMPERATURA L=800	46	66069R0053	TERMINAL PARA BOMBA
38	66069R0347	SENSOR TEMPERATURA L=2000	47	ACXXPR1005	COBERTURA DE INVERNO EV25/AC25/ST2C
39	66069R0060	PLACA BASE PCB			