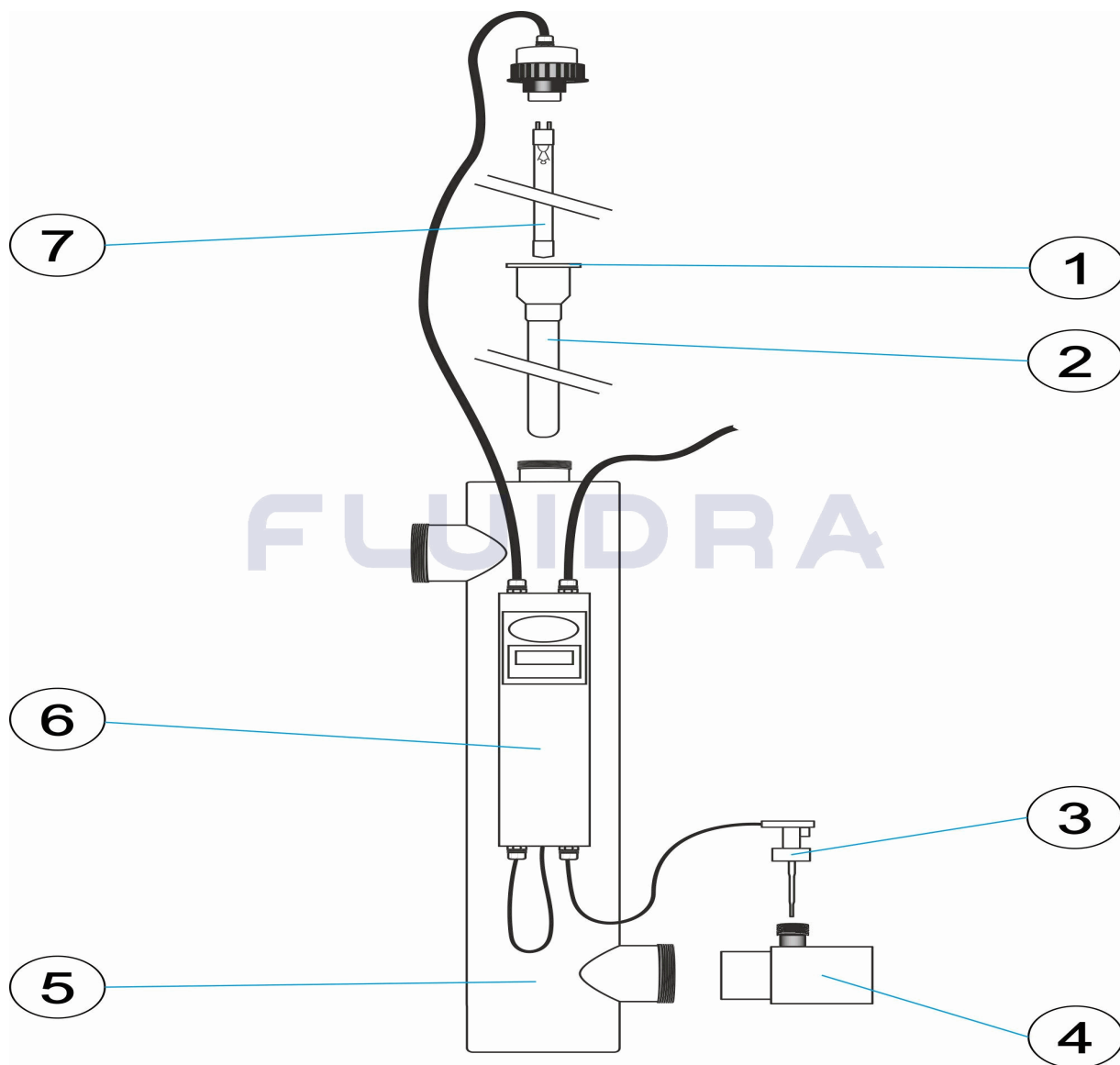


CODIGO **68145, 68146**

DESCRIPCION: **INOX UV-C 75 / 130 W**



ESPAÑOL

| POS | CODIGO | DESCRIPCION | CANTIDAD | POS | CODIGO | DESCRIPCION | CANTIDAD |
|-----|--------------|------------------------------|----------|-----|--------------|------------------------------------|----------|
| 1 | 4408070124 | JUNTA PARA VAINA DE CUARZO | | 5 | 4408070133 | CUBIERTA PRO | |
| 2 | * 4408070122 | VAINA CUARZO 933X25MM 40/75W | | 6 | * 4408070134 | CAJA ELECTRICA (BL UV-C PRO 75W) | |
| 2 | * 4408070123 | VAINA CUARZO 920X31MM 130W | | 6 | * 4408070135 | CAJA ELECTRICA BL UV-C PRO AMALGAM | |
| 3 | 4408070120 | FLUJOSTATO | | 7 | * 68294 | LAMPARA 75W | |
| 4 | 4408070118 | REDUCCION 63/63 | | 7 | * 68295 | LAMPARA 130W | |
| 4 | * 4408070119 | REDUCCION 60/60 AMALGAM | | | | | |

CODIGO 68145, 68146

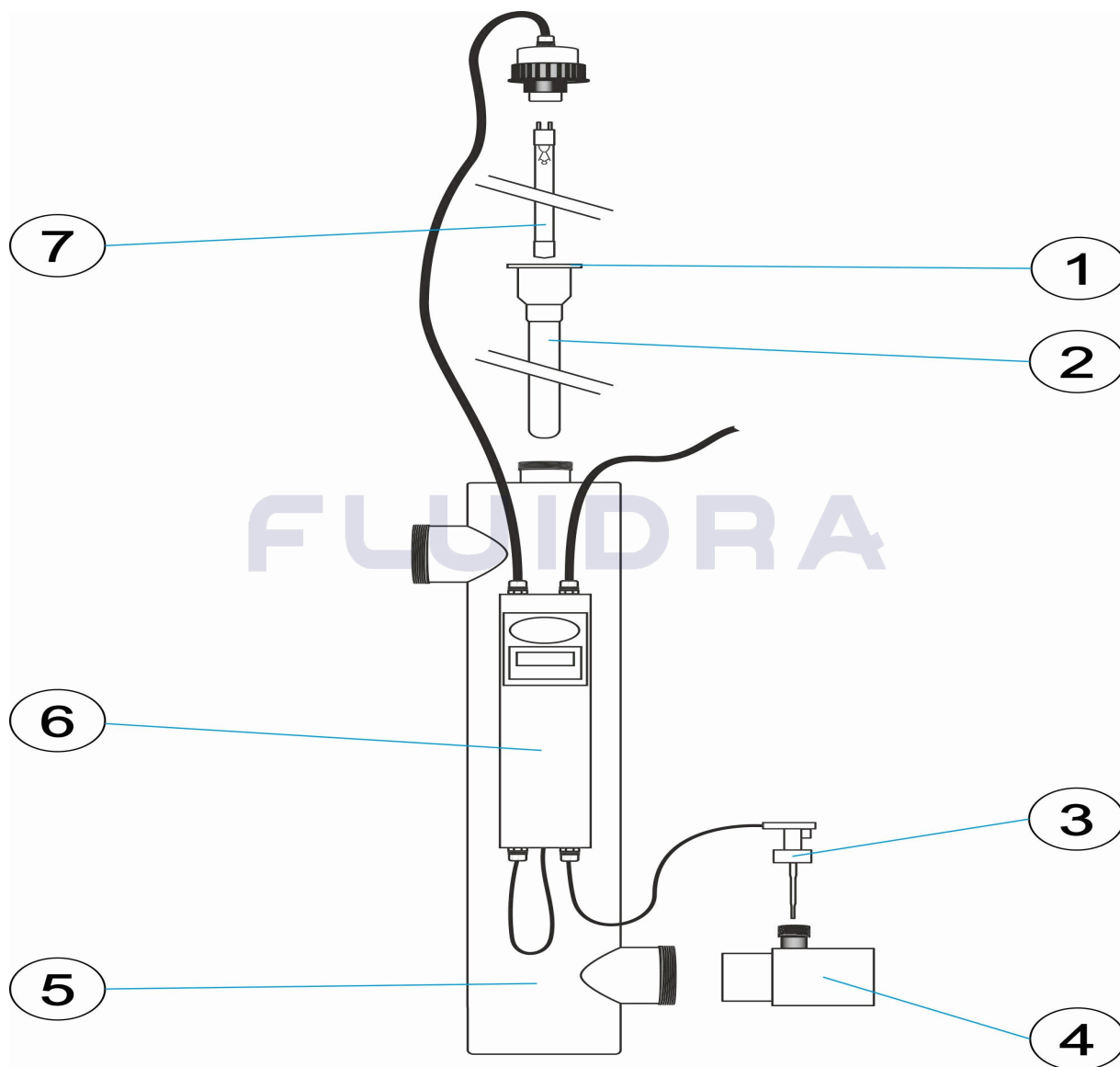
DESCRIPCION: INOX UV-C 75 / 130 W

OBSERVACIONES

| POS | CODIGO | OBSERVACIONES |
|-----|--------------|----------------|
| 2 | * 4408070122 | PARA: 68145 |
| 2 | * 4408070123 | PARA: 68146 |
| 4 | * 4408070119 | PARA: USA / UK |
| 6 | * 4408070134 | PARA: 68145 |
| 6 | * 4408070135 | PARA: 68146 |
| 7 | * 68294 | PARA: 68145 |
| 7 | * 68295 | PARA: 68146 |

CODE **68145, 68146**

DESCRIPTION: **INOX UV-C 75 / 130 W**



FRANCAIS

| POS | CODE | DESCRIPTION | QUANTITE | POS | CODE | DESCRIPTION | QUANTITE |
|-----|--------------|---------------------------------|----------|-----|--------------|------------------------------------|----------|
| 1 | 4408070124 | JOINT POUR MANCHON QUARTZ | | 5 | 4408070133 | CUVELAGE PRO | |
| 2 | * 4408070122 | GAINÉ DE QUARTZ 933X25MM 40/75W | | 6 | * 4408070134 | BOITIER ELECT. (BL UV-C PRO 75W) | |
| 2 | * 4408070123 | GAINÉ DE QUARTZ 920X31MM 130W | | 6 | * 4408070135 | BOITIER ELECT. BL UV-C PRO AMALGAM | |
| 3 | 4408070120 | CONTROLEUR DE DEBIT | | 7 | * 68294 | LAMPE 75W | |
| 4 | 4408070118 | RÉDUCTION 63/63 | | 7 | * 68295 | LAMPE 130W | |
| 4 | * 4408070119 | RÉDUCTION 60/60 AMALGAM | | | | | |

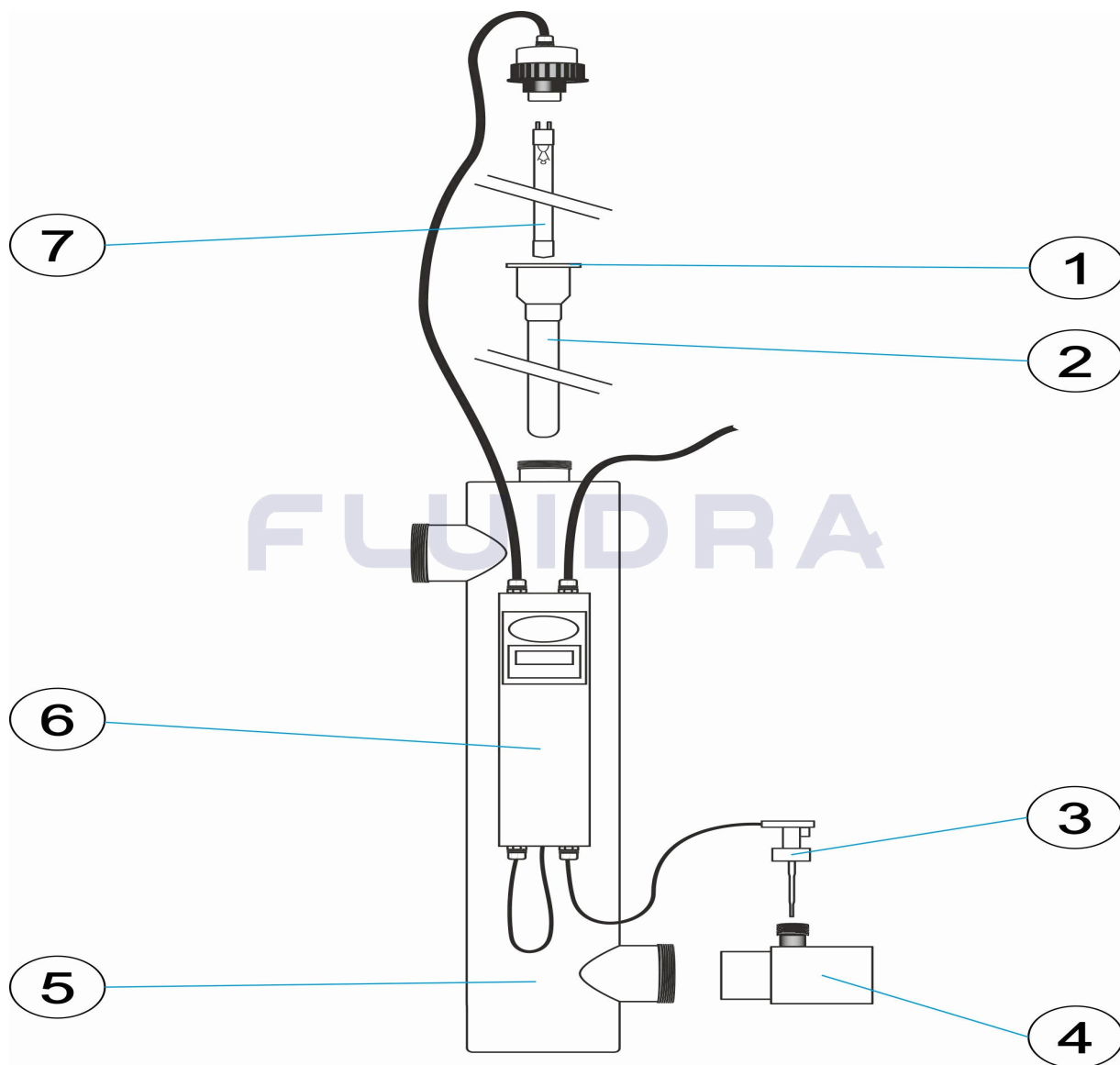
CODE **68145, 68146**

DESCRIPTION: **INOX UV-C 75 / 130 W**

OBSERVATIONS

| POS | CODE | OBSERVATIONS |
|-----|--------------|----------------|
| 2 | * 4408070122 | POUR: 68145 |
| 2 | * 4408070123 | POUR: 68146 |
| 4 | * 4408070119 | POUR: USA / UK |
| 6 | * 4408070134 | POUR: 68145 |
| 6 | * 4408070135 | POUR: 68146 |
| 7 | * 68294 | POUR: 68145 |
| 7 | * 68295 | POUR: 68146 |

CODE **68145, 68146**
DESCRIPTION: **INOX UV-C 75 / 130 W**



ENGLISH

| POS | CODE | DESCRIPTION | QUANTITY | POS | CODE | DESCRIPTION | QUANTITY |
|-----|--------------|----------------------------------|----------|-----|--------------|--------------------------------|----------|
| 1 | 4408070124 | GASKET RING FOR QUARTZ SLEEVE | | 5 | 4408070133 | HOUSING PRO | |
| 2 | * 4408070122 | QUARTZ TUBE CASE 933X25MM 40/75W | | 6 | * 4408070134 | ELECT. BOX (BL UV-C PRO 75W) | |
| 2 | * 4408070123 | QUARTZ TUBE CASE 920X31MM 130W | | 6 | * 4408070135 | ELECT. BOX BL UV-C PRO AMALGAM | |
| 3 | 4408070120 | FLOWSWITCH | | 7 | * 68294 | 75W LAMP | |
| 4 | 4408070118 | 63/63 REDUCTION SOCKET | | 7 | * 68295 | 130W LAMP | |
| 4 | * 4408070119 | 60/60 REDUCTION SOCKET AMALGAM | | | | | |

CODE **68145, 68146**

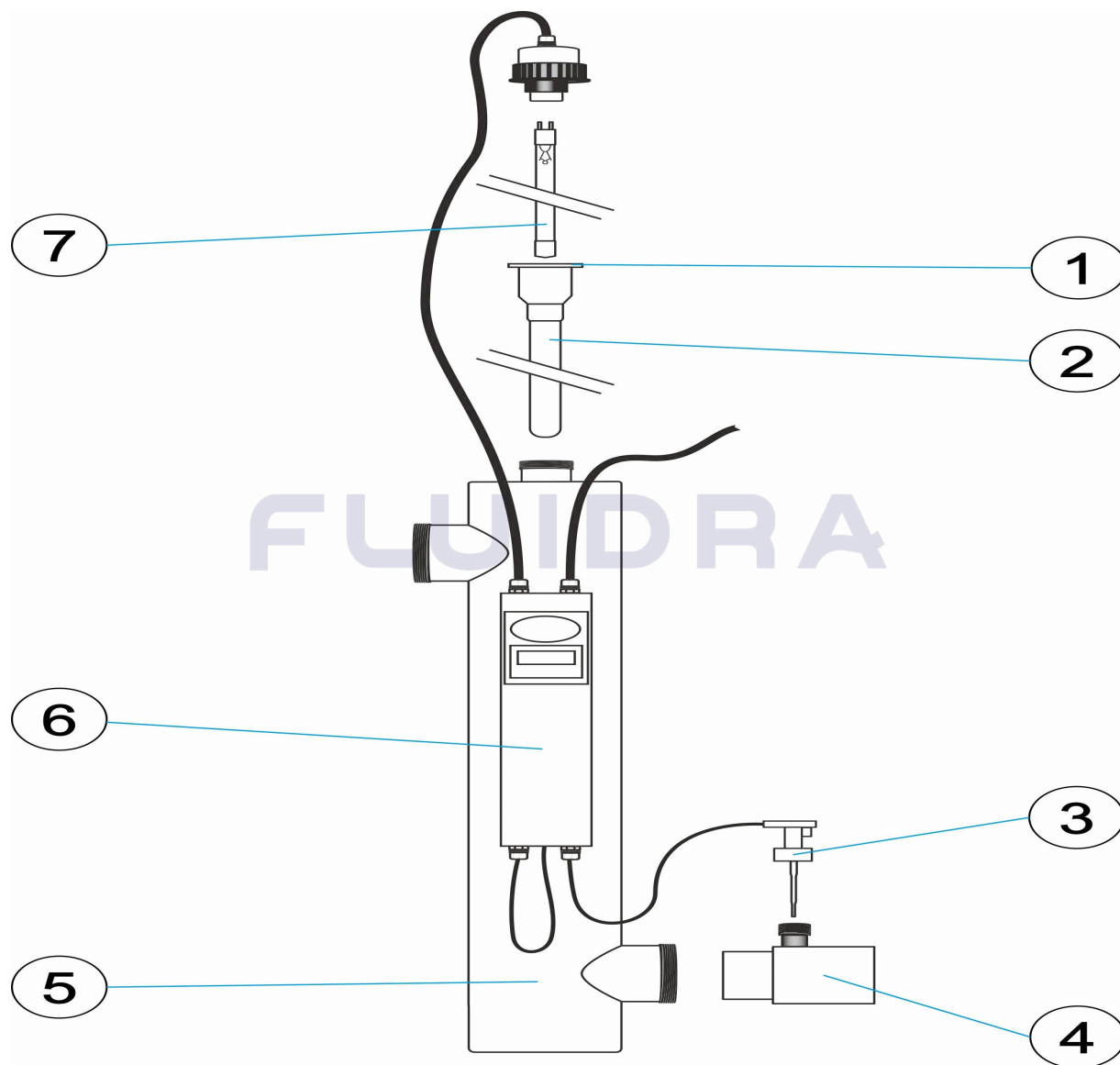
DESCRIPTION: **INOX UV-C 75 / 130 W**

OBSERVATIONS

| POS | CODE | OBSERVATIONS |
|-----|--------------|---------------|
| 2 | * 4408070122 | FOR: 68145 |
| 2 | * 4408070123 | FOR: 68146 |
| 4 | * 4408070119 | FOR: USA / UK |
| 6 | * 4408070134 | FOR: 68145 |
| 6 | * 4408070135 | FOR: 68146 |
| 7 | * 68294 | FOR: 68145 |
| 7 | * 68295 | FOR: 68146 |

CODICE **68145, 68146**

DESCRIZIONE: **INOX UV-C 75 / 130 W**



ITALIANO

| POS | CODICE | DESCRIZIONE | QUANTITA' | POS | CODICE | DESCRIZIONE | QUANTITA' |
|-----|--------------|--------------------------------|-----------|-----|--------------|-------------------------------------|-----------|
| 1 | 4408070124 | GUARNIZIONE PER QUARZO MANICHE | | 5 | 4408070133 | INVOLUCRO PRO | |
| 2 | * 4408070122 | GUAINA QUARZO 933X25MM 40/75W | | 6 | * 4408070134 | SCATOLA ELETTR. (BL UV-C PRO 75W) | |
| 2 | * 4408070123 | GUAINA QUARZO 920X31MM 130W | | 6 | * 4408070135 | SCATOLA ELETTR. BL UV-C PRO AMALGAM | |
| 3 | 4408070120 | FLUSSOSTATO | | 7 | * 68294 | LAMPADA 75W | |
| 4 | 4408070118 | RIDUZIONE 63/63 | | 7 | * 68295 | LAMPADA 130W | |
| 4 | * 4408070119 | RIDUZIONE 60/60 AMALGAM | | | | | |

CODICE **68145, 68146**

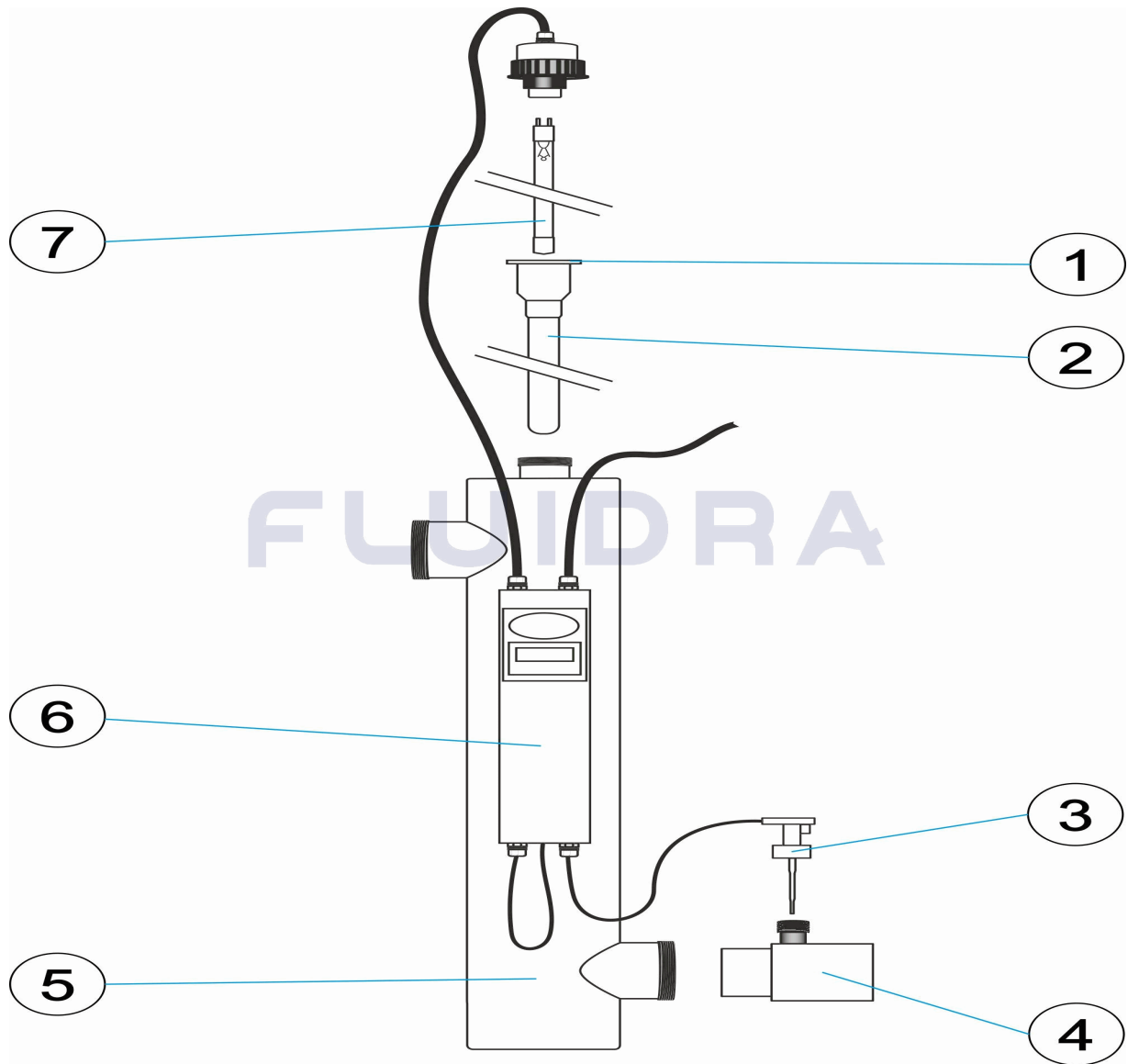
DESCRIZIONE: **INOX UV-C 75 / 130 W**

OSSERVAZIONI

| POS | CODICE | OSSERVAZIONI |
|-----|--------------|---------------|
| 2 | * 4408070122 | PER: 68145 |
| 2 | * 4408070123 | PER: 68146 |
| 4 | * 4408070119 | PER: USA / UK |
| 6 | * 4408070134 | PER: 68145 |
| 6 | * 4408070135 | PER: 68146 |
| 7 | * 68294 | PER: 68145 |
| 7 | * 68295 | PER: 68146 |

CODE **68145, 68146**

BESCHREIBUNG: **INOX UV-C 75 / 130 W**



DEUTSCH

| POS | CODE | BESCHREIBUNG | MENGE | POS | CODE | BESCHREIBUNG | MENGE |
|-----|--------------|----------------------------------|-------|-----|--------------|-----------------------------------|-------|
| 1 | 4408070124 | DICHTUNGSRING FÜR QUARTZHÜLSE | | 5 | 4408070133 | GEHÄUSE PRO | |
| 2 | * 4408070122 | HÜLSE QUARZRÖHRE 933X25MM 40/75W | | 6 | * 4408070134 | ELEKTRONIKSCHRANK BL UV-C PRO 75W | |
| 2 | * 4408070123 | HÜLSE QUARZRÖHRE 920X31MM 130W | | 6 | * 4408070135 | ELEKTRONIKSCHRANK BL UV-C PRO AM. | |
| 3 | 4408070120 | DURCHFLUSSMESSER | | 7 | * 68294 | LAMPE 75W | |
| 4 | 4408070118 | REDUZIERSTÜCK 63/63 | | 7 | * 68295 | LAMPE 130W | |
| 4 | * 4408070119 | REDUZIERSTÜCK 60/60 AMALGAM | | | | | |

CODE **68145, 68146**

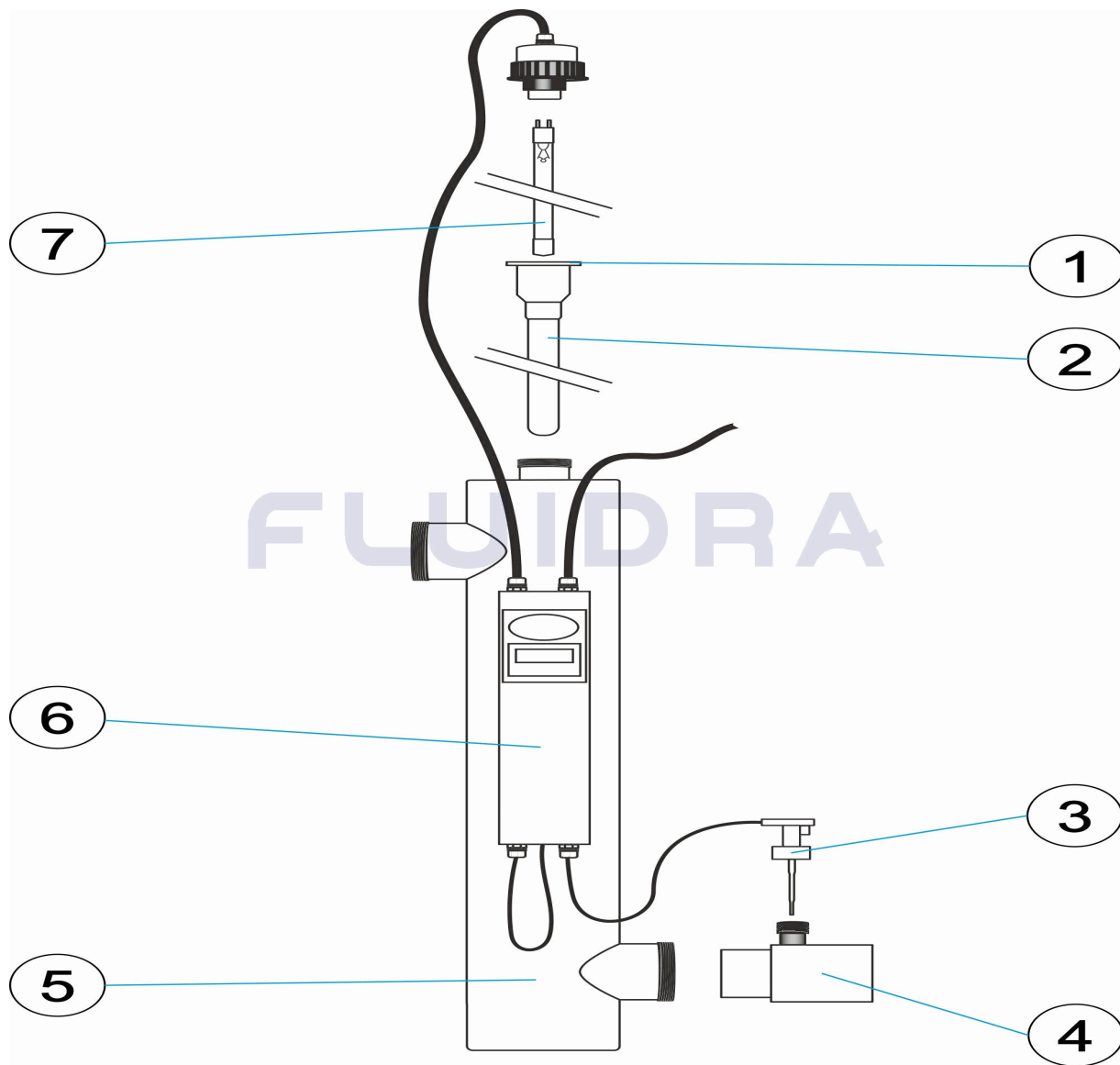
BESCHREIBUNG: **INOX UV-C 75 / 130 W**

HINWEISE

| POS | CODE | HINWEISE |
|-----|--------------|---------------|
| 2 | * 4408070122 | FÜR: 68145 |
| 2 | * 4408070123 | FÜR: 68146 |
| 4 | * 4408070119 | FÜR: USA / UK |
| 6 | * 4408070134 | FÜR: 68145 |
| 6 | * 4408070135 | FÜR: 68146 |
| 7 | * 68294 | FÜR: 68145 |
| 7 | * 68295 | FÜR: 68146 |

CODIGO **68145, 68146**

DESCRIÇÃO: **INOX UV-C 75 / 130 W**



PORTUGUES

| POS | CODIGO | DESCRIÇÃO | JANTIDADE | POS | CODIGO | DESCRIÇÃO | JANTIDADE |
|-----|--------------|--------------------------------|-----------|-----|--------------|---------------------------------|-----------|
| 1 | 4408070124 | JUNTA PARA MANGA DE QUARTZO | | 5 | 4408070133 | INVÓLUCRO PRO | |
| 2 | * 4408070122 | BAINHA QUARTZO 933X25MM 40/75W | | 6 | * 4408070134 | CAIXA ELET. (BL UV-C PRO 75W) | |
| 2 | * 4408070123 | BAINHA QUARTZO 920X31MM 130W | | 6 | * 4408070135 | CAIXA ELET. BL UV-C PRO AMALGAM | |
| 3 | 4408070120 | FLUXO-ESTATO | | 7 | * 68294 | LÂMPADA 75W | |
| 4 | 4408070118 | REDUÇÃO 63/63 | | 7 | * 68295 | LÂMPADA 130W | |
| 4 | * 4408070119 | REDUÇÃO 60/60 AMALGAM | | | | | |

CODIGO 68145, 68146

DESCRIÇÃO: INOX UV-C 75 / 130 W

OBSERVAÇÕES

| POS | CODIGO | OBSERVAÇÕES |
|-----|--------------|----------------|
| 2 | * 4408070122 | PARA: 68145 |
| 2 | * 4408070123 | PARA: 68146 |
| 4 | * 4408070119 | PARA: USA / UK |
| 6 | * 4408070134 | PARA: 68145 |
| 6 | * 4408070135 | PARA: 68146 |
| 7 | * 68294 | PARA: 68145 |
| 7 | * 68295 | PARA: 68146 |