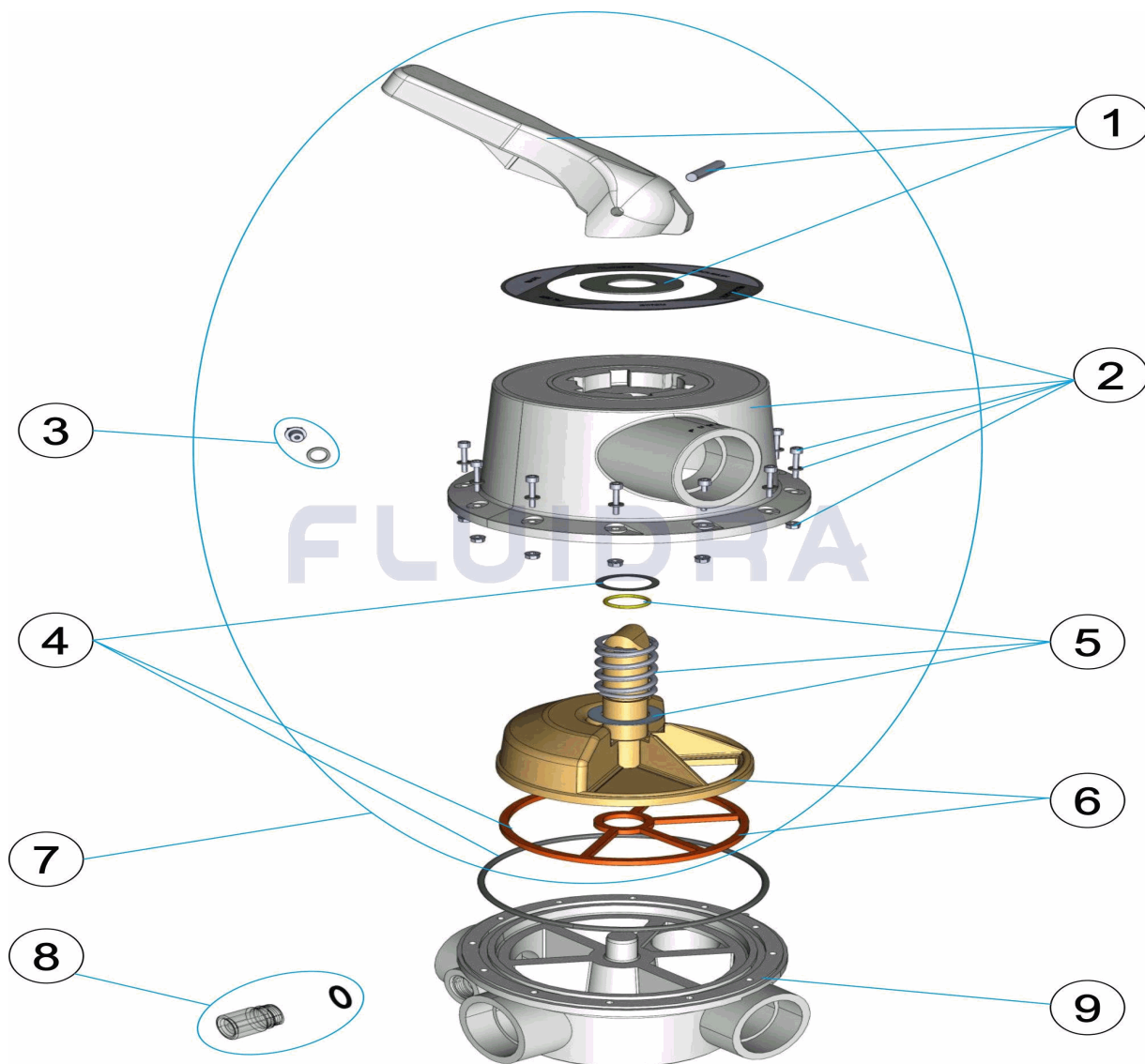


CODIGO **24839**

DESCRIPCION: **VALVULA SELECTORA 2 1/2"**

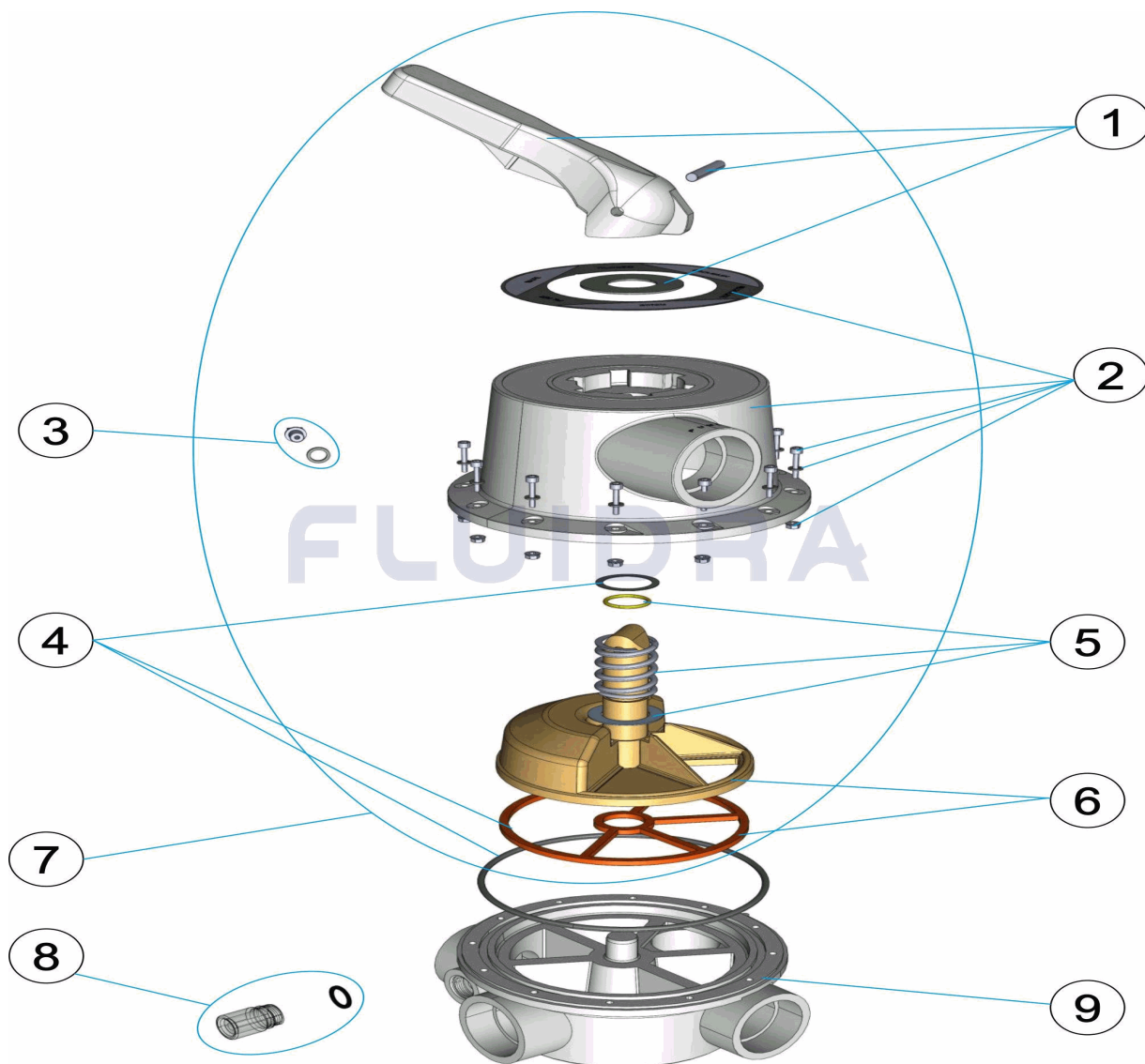


ESPAÑOL

POS	CODIGO	DESCRIPCION	CANTIDAD	POS	CODIGO	DESCRIPCION	CANTIDAD
1	4404120701	MANETA NEGRA 2 1/2'		6	4404120704	DISTRIBUIDOR CON JUNTAS 2 1/2'	
2	4404120093	TAPA VALVULA 2 1/2"		7	4404120094	CJTO. SUPERIOR 2 1/2"	
3	4404121307	TAPON 1/4" VALVULA NUEV "		8	4404120014	VISOR CON JUNTA MIDA	
4	4404120705	JUNTAS VALVULA 2 1/2'		9	24839R0110	CUERPO VALVULA	
5	4404120703	RESORTE CON ARANDELAS 2 1/2'					

CODE 24839

DESCRIPTION: SÉLECTEUR 2 1/2"

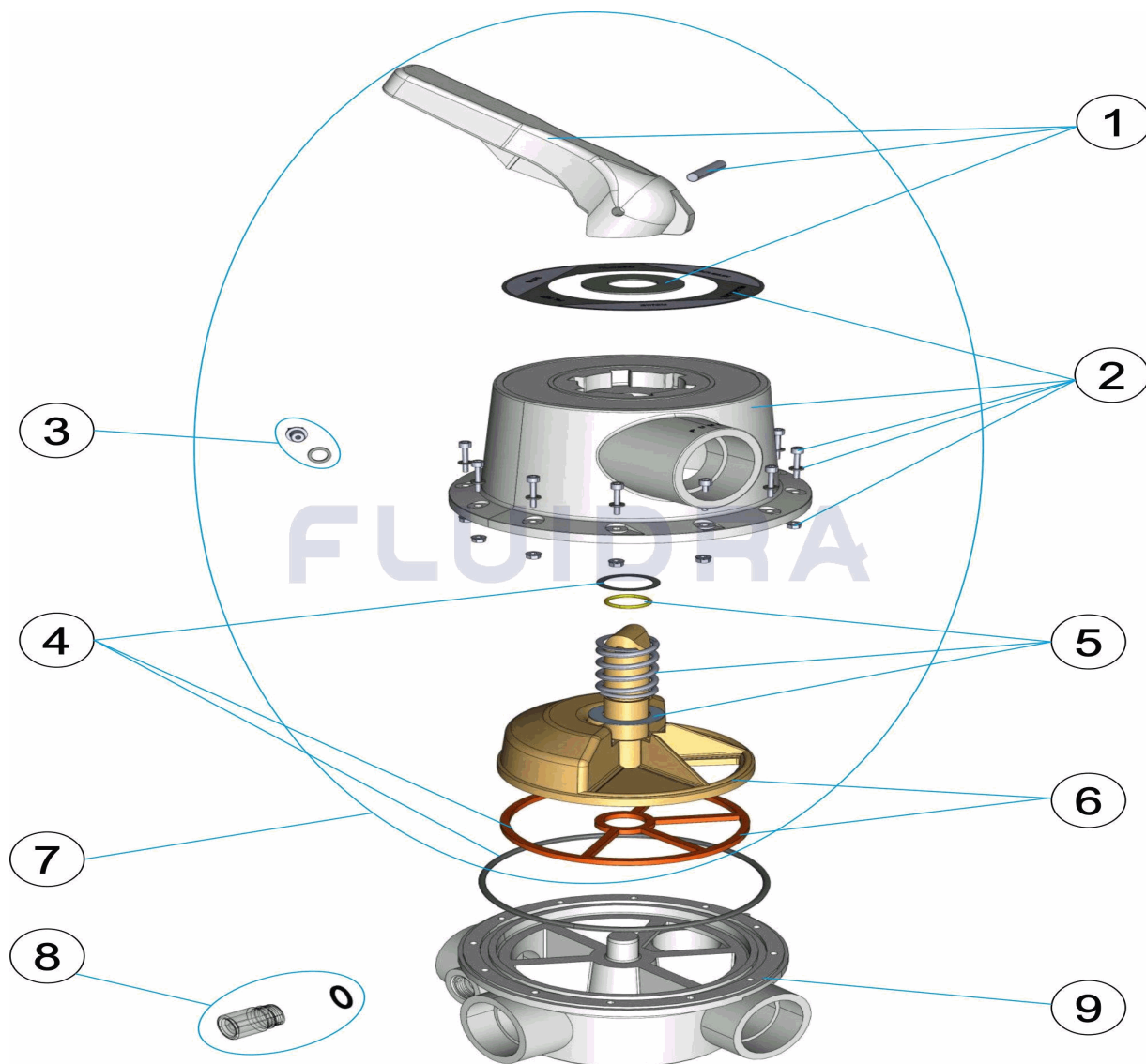


FRANCAIS

POS	CODE	DESCRIPTION	QUANTITE	POS	CODE	DESCRIPTION	QUANTITE
1	4404120701	POIGNEE NOIRE 2 1/2"		6	4404120704	BOISSEAU AVEC JOINTS 2 1/2"	
2	4404120093	DESSUS DE VANNE 2 1/2"		7	4404120094	ENSEMBLE SUPÉRIEUR 2 1/2"	
3	4404121307	BOUCHON 1/4" VANNE NOUVEA "		8	4404120014	VOYANT ET JOINT MIDAS	
4	4404120705	JOINTS 2 1/2'		9	24839R0110	CORPS VANNE	
5	4404120703	RESSORT ET RONDELLES 2 1/2'					

CODE **24839**

DESCRIPTION: **MULTIPORT VALVE 2 1/2"**

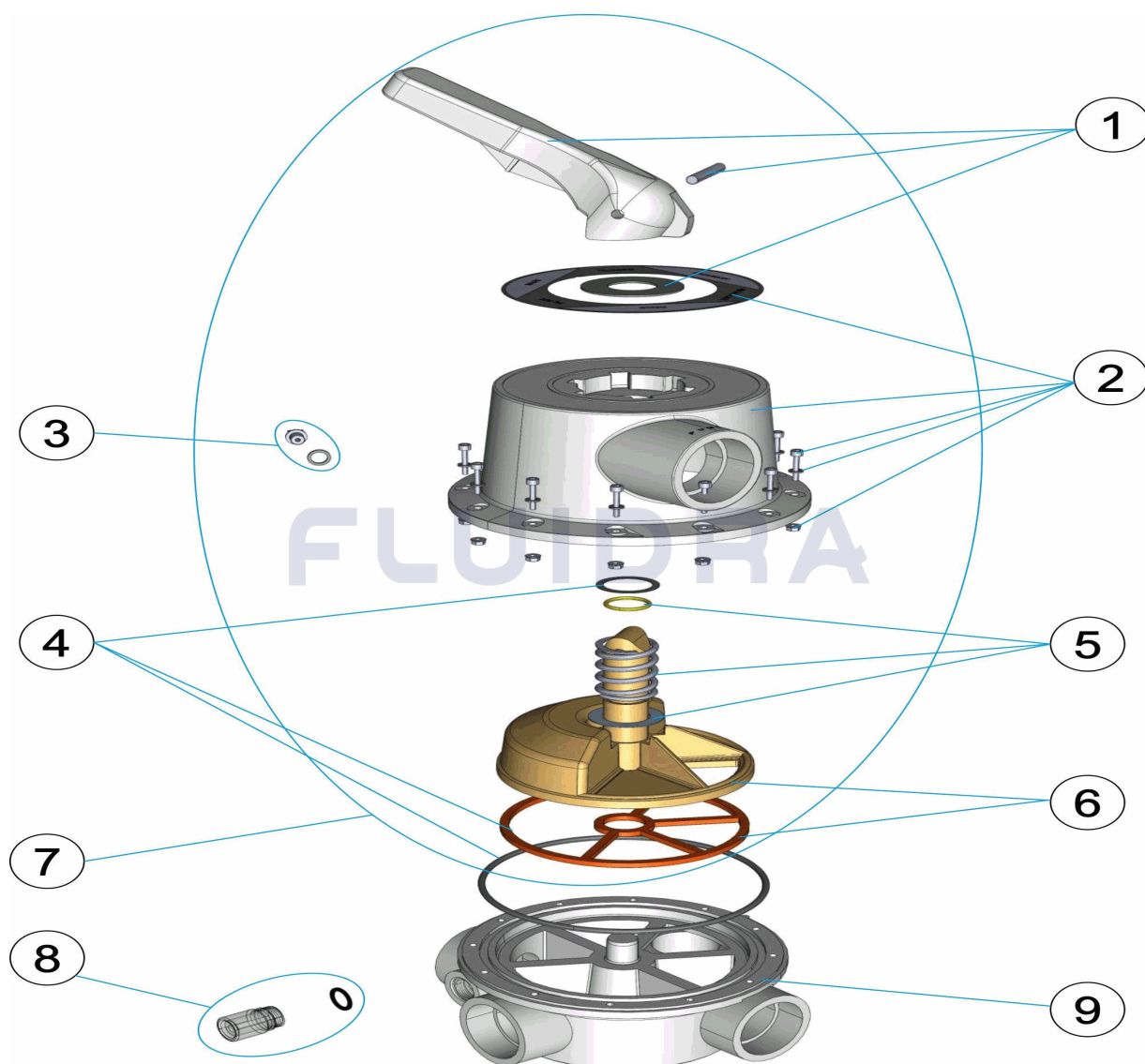


ENGLISH

POS	CODE	DESCRIPTION	QUANTITY	POS	CODE	DESCRIPTION	QUANTITY
1	4404120701	BLACK HANDLE 2 1/2'		6	4404120704	DISTRIBUTOR WITH GASKETS 2 1/2'	
2	4404120093	VALVE 2 1/2"		7	4404120094	SET. SUPERIOR 2 1/2	
3	4404121307	NEW 1/4" VALVE CA "		8	4404120014	VISOR WITH SEAL MIDAS	
4	4404120705	GASKETS 2 1/2'		9	24839R0110	VALVE BODY	
5	4404120703	SPRING WITH WASHERS 2 1/2'					

CODICE **24839**

DESCRIZIONE: **VALVOLA SELETRICE 2 1/2"**

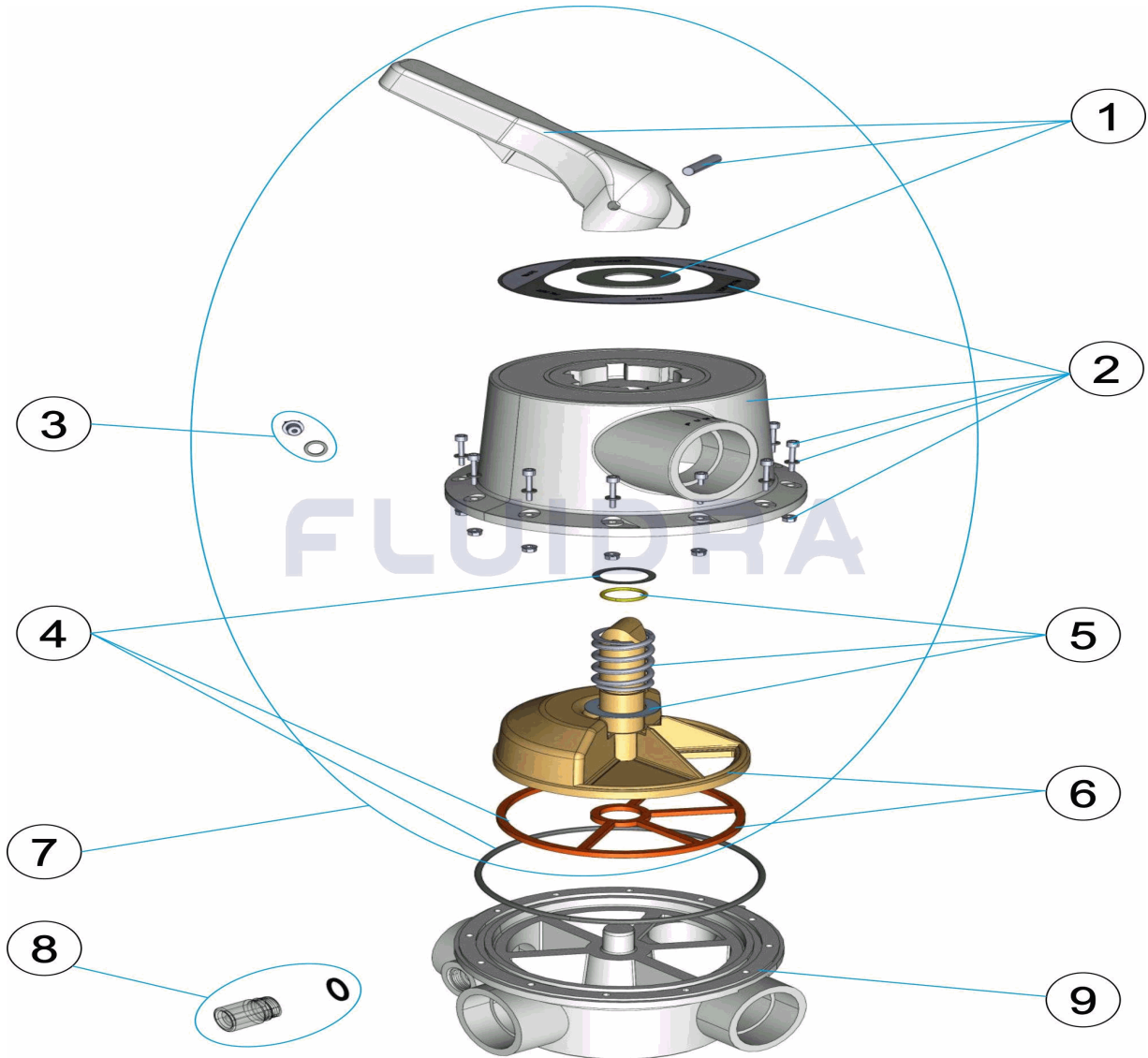


ITALIANO

POS	CODICE	DESCRIZIONE	QUANTITA'	POS	CODICE	DESCRIZIONE	QUANTITA'
1	4404120701	MANIGLIA NERA 2 1/2"		6	4404120704	DISTRIBUTORE CON GUARNIZIONI 2 1/2" VI	
2	4404120093	COPERCHIO VALVOLA 2 1/2"		7	4404120094	KIT PARTE SUPERIORE SELETRICE 2 1/2"	
3	4404121307	GUARNIZIONE SAGOMATA + GURANIZIONI		8	4404120014	VISORE CON GUARNIZIONE MIDAS	
4	4404120705	GUARNIZIONI VALVOLA 2 1/2"		9	24839R0110	CORPO VALVOLA	
5	4404120703	MOLLA CON RONDELLE 2 1/2"					

CODE **24839**

BESCHREIBUNG: **WECHSELVENTIL 2 1/2"**

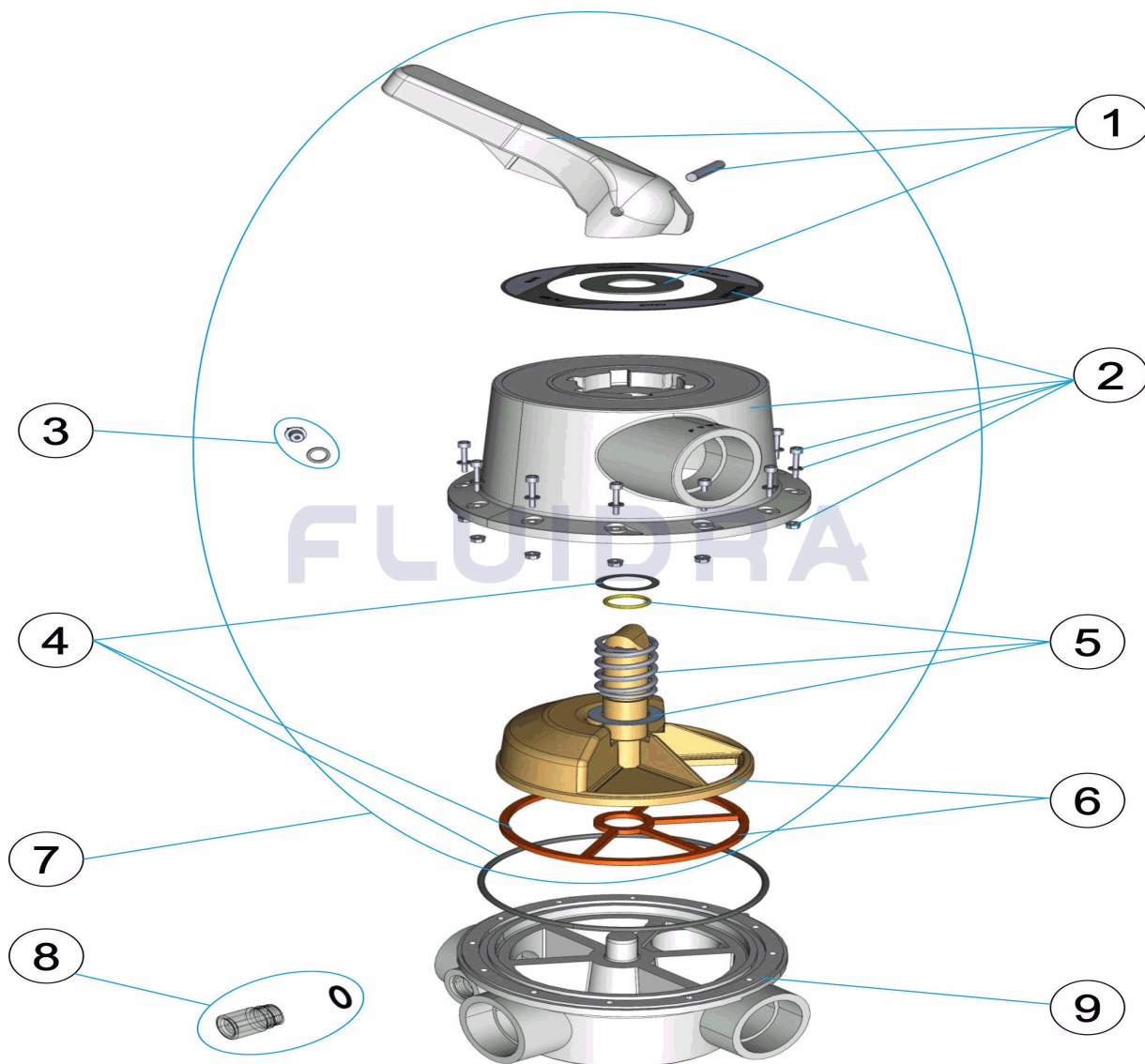


DEUTSCH

POS	CODE	BESCHREIBUNG	MENGE	POS	CODE	BESCHREIBUNG	MENGE
1	4404120701	GRIFF SCHWARZ 2 1/2'		6	4404120704	VERTEILER UND DICHTUNGEN 2 1/2'	
2	4404120093	VENTILDECKEL 2 1/2"		7	4404120094	SET OBEN 2 1/2"	
3	4404121307	STOPFEN 1/4" VENTIL NEUVERSIO "		8	4404120014	SCHAUGLAS UND DICHTUNG MIDA	
4	4404120705	VENTILDICHTUNGEN 2 1/2'		9	24839R0110	GEHÄUSE VENTIL	
5	4404120703	FEDER MIT UNTERLEGSCHIEBEN 2 1/2'					

CODIGO **24839**

DESCRIÇÃO: **VÁLVULA SELECTORA 2 1/2"**



PORTUGUES

POS	CODIGO	DESCRIÇÃO	JANTIDADE	POS	CODIGO	DESCRIÇÃO	JANTIDADE
1	4404120701	MANIPULO PRETO 2 1/2'		6	4404120704	DISTRIBUIDOR COM JUNTAS 2 1/2'	
2	4404120093	TAMPA VALVULA 2 1/2"		7	4404120094	CONJUNTO SUPERIOR 2 1/2"	
3	4404121307	TAMPAO 1/4" VALVULA NOV "		8	4404120014	VISOR COM JUNTA MIDAS	
4	4404120705	JUNTAS VÁLVULA 2 1/2'		9	24839R0110	CORPO VALVULA	
5	4404120703	MOLA COM ANILHAS 2 1/2'					