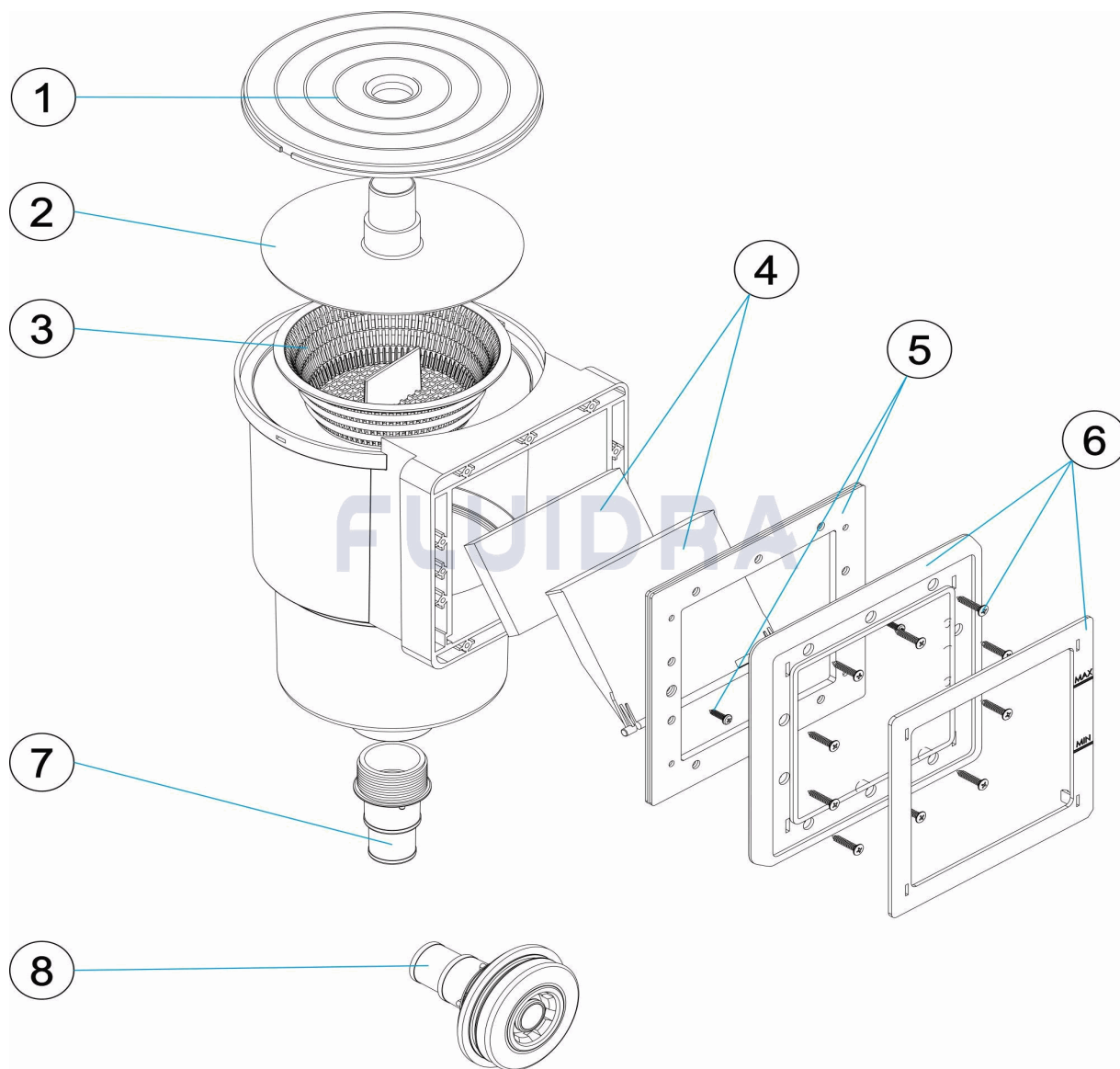


CODIGO **09297**

DESCRIPCION: **SKIMMER PISCINA ELEVADA**

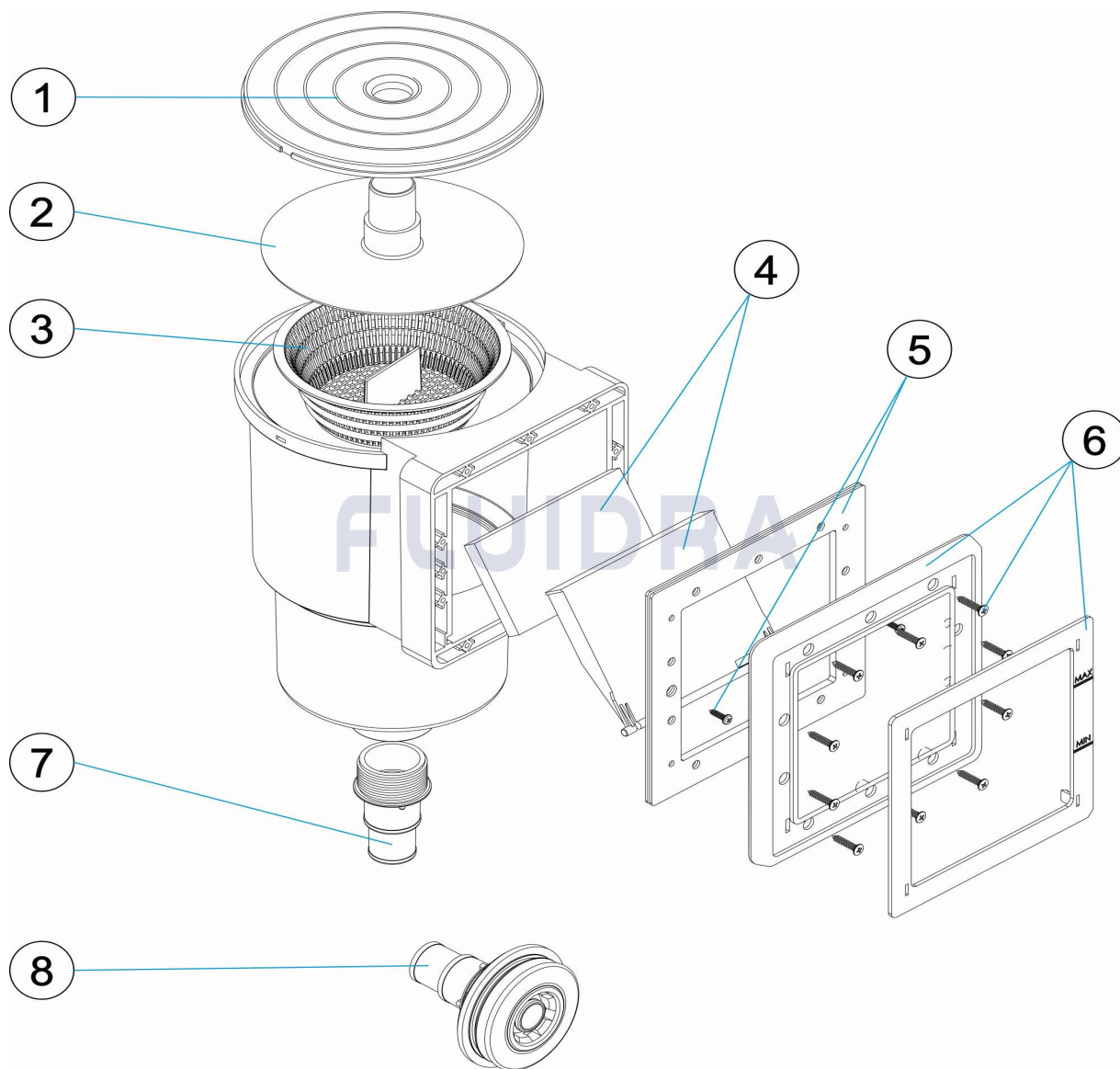


**ESPAÑOL**

| POS | CODIGO     | DESCRIPCION                       | CANTIDAD | POS        | CODIGO                           | DESCRIPCION | CANTIDAD |
|-----|------------|-----------------------------------|----------|------------|----------------------------------|-------------|----------|
| 1   | 4402011504 | TAPA SKIMMER PISCINA ELEVADA      | 5        | 4402011505 | JUNTAS MARCO PISCINA ELEVADA     |             |          |
| 2   | 4402011503 | TAPA CESTO PISCINA ELEVADA        | 6        | 4402011506 | TAPA Y MARCO PISCINA ELEVADA     |             |          |
| 3   | 4402011502 | CESTO SKIMMER PISCINA ELEVADA     | 7        | 4402011507 | MANGUITO SKIMMER PISCINA ELEVADA |             |          |
| 4   | 4402011501 | COMPUERTA SKIMMER PISCINA ELEVADA | 8        | 06501      | BOQUILLA PISCINA ELEVADA         |             |          |

CODE 09297

DESCRIPTION: SKIMMER PISCINE HORS SOL

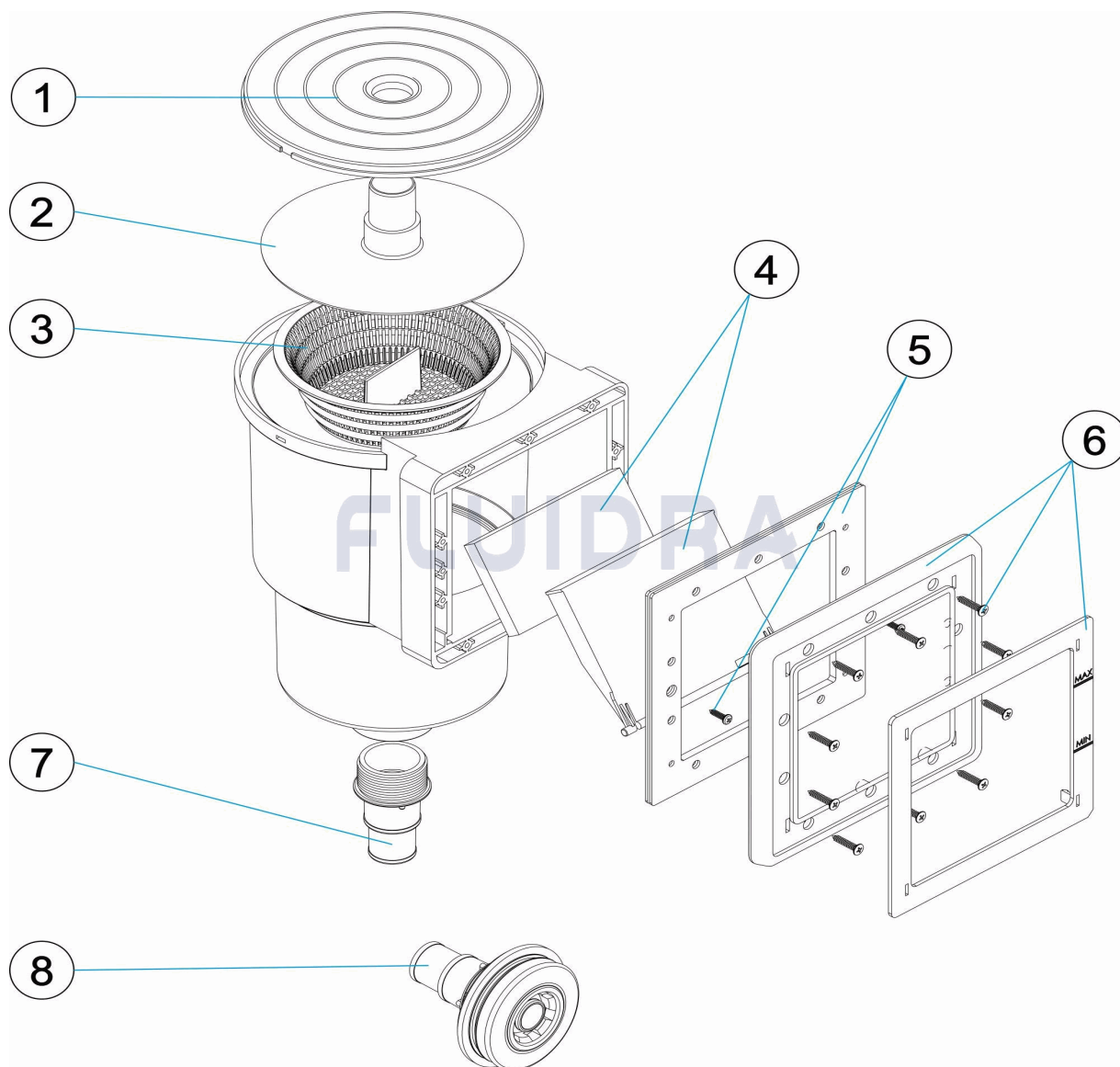


FRANCAIS

| POS | CODE       | DESCRIPTION                       | QUANTITE | POS        | CODE                               | DESCRIPTION | QUANTITE |
|-----|------------|-----------------------------------|----------|------------|------------------------------------|-------------|----------|
| 1   | 4402011504 | COUVERCLE SKIMMER PISCINE HORS SO | 5        | 4402011505 | JOINTS BOUCHE SKIMMER PISCINE HORS |             |          |
| 2   | 4402011503 | COUVERCLE PANIER DE SKIMMER       | 6        | 4402011506 | CADRE BOUCHE SKIMMER PISCINE HORS  |             |          |
| 3   | 4402011502 | PANIER SKIMMER PISCINE HORS SOL   | 7        | 4402011507 | MANCHON SKIMMER PISCINE HORS SOL   |             |          |
| 4   | 4402011501 | VOLET DE SKIMMER PISCINE HORS SOL | 8        | 06501      | BUSE PISCINE HORS-SOL              |             |          |

CODE **09297**

DESCRIPTION: **SKIMMER ABOVE-GROUND POOL**

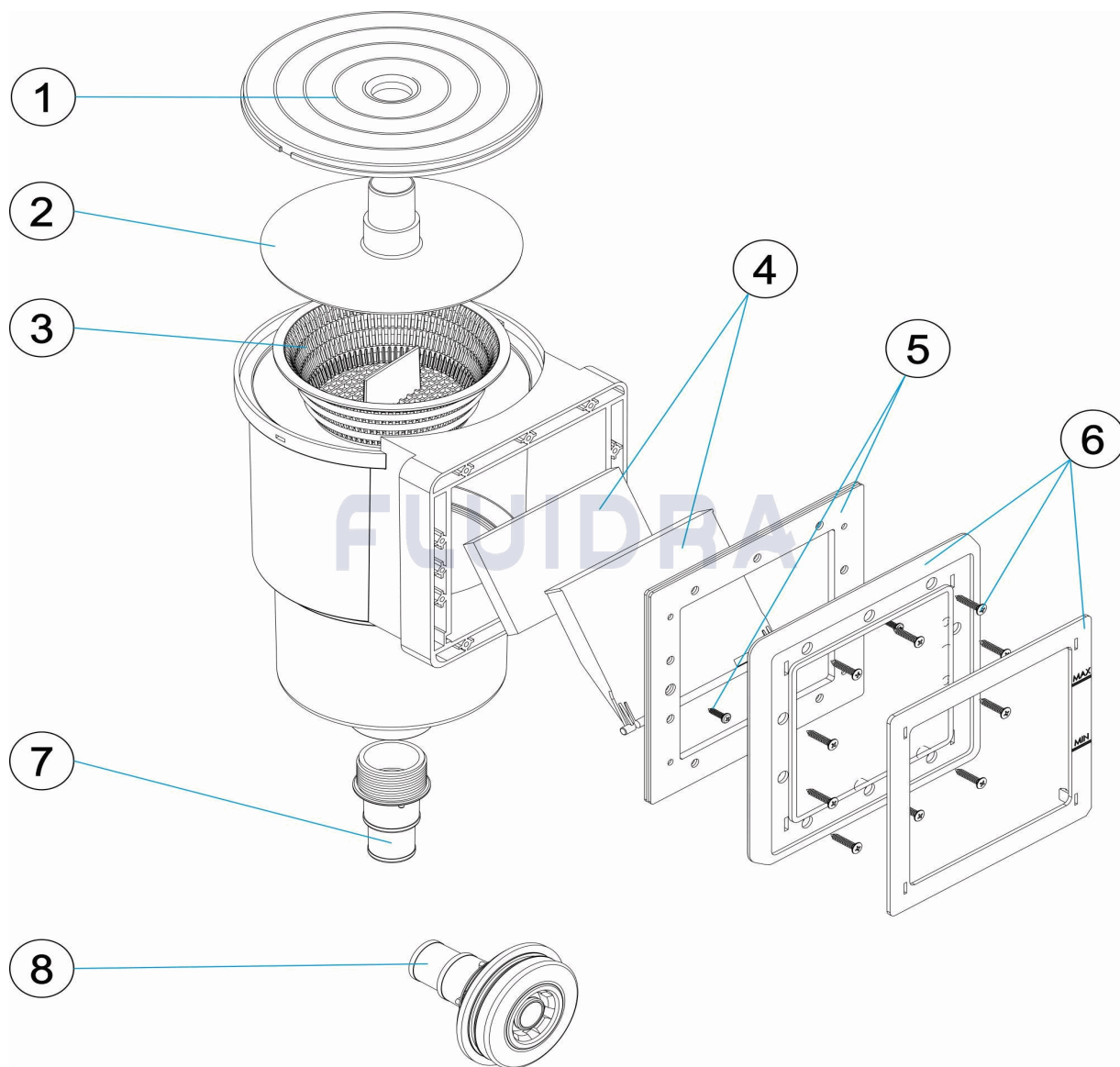


**ENGLISH**

| POS | CODE       | DESCRIPTION                       | QUANTITY | POS        | CODE                               | DESCRIPTION | QUANTITY |
|-----|------------|-----------------------------------|----------|------------|------------------------------------|-------------|----------|
| 1   | 4402011504 | SKIMMER LID FOR ABOVE GROUND POOL | 5        | 4402011505 | FRAME GASKET FOR ABOVE GROUND POOL |             |          |
| 2   | 4402011503 | BASKET LID FOR ABOVE GROUND POOL  | 6        | 4402011506 | FRAME & FRAME COVER FOR ABOVE GRO  |             |          |
| 3   | 4402011502 | SKIMMER BASKET FOR ABOVE GROUND F | 7        | 4402011507 | SKIMMER CONNECTOR FOR ABOVE GROU   |             |          |
| 4   | 4402011501 | SKIMMER FLAP FOR ABOVE GROUND POC | 8        | 06501      | NOZZLE ABOVE-GROUND POOL           |             |          |

CODICE **09297**

DESCRIZIONE: **SKIMMER PISCINA ELEVATA**

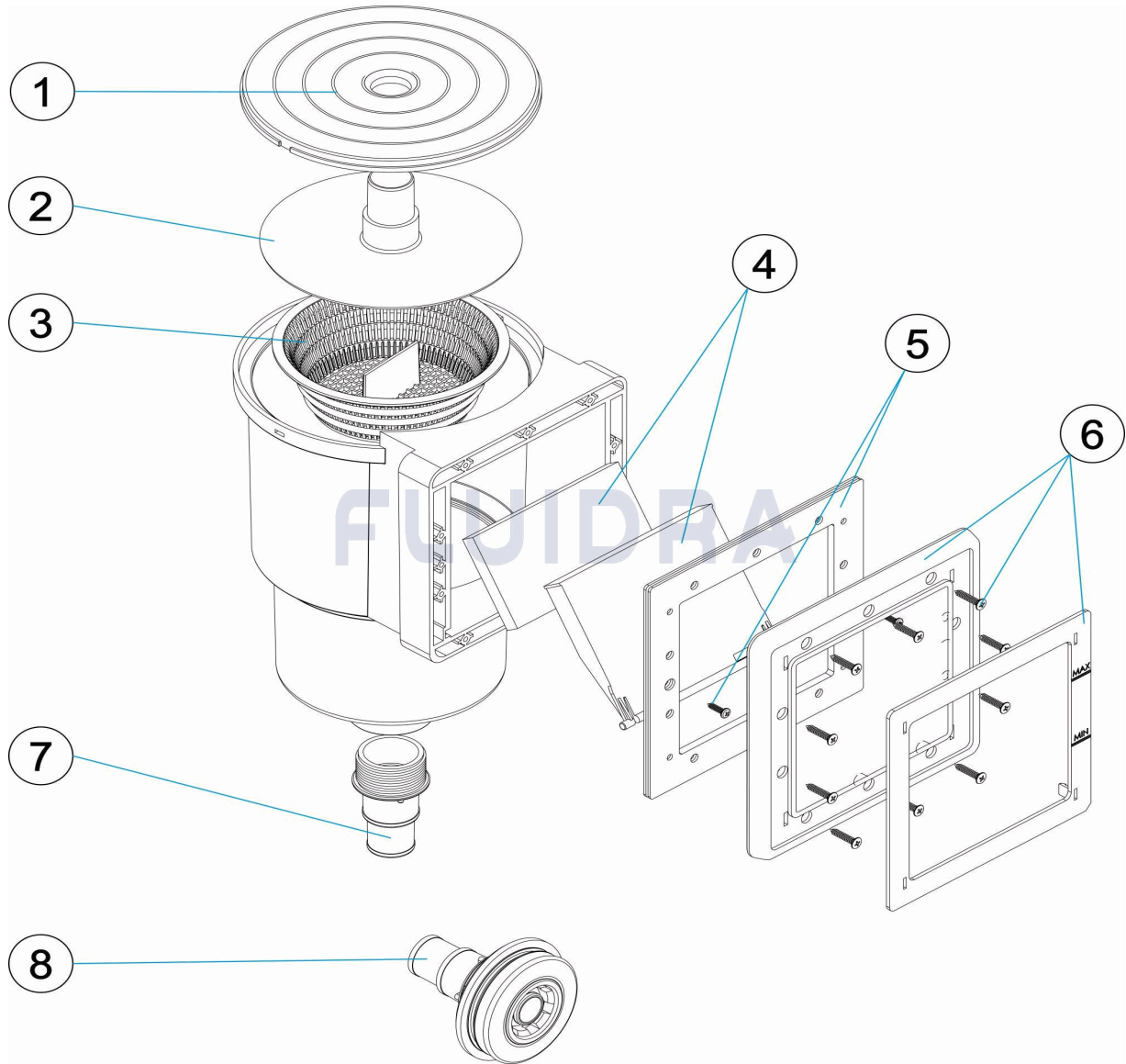


**ITALIANO**

| POS | CODICE     | DESCRIZIONE                         | QUANTITA' | POS        | CODICE                               | DESCRIZIONE | QUANTITA' |
|-----|------------|-------------------------------------|-----------|------------|--------------------------------------|-------------|-----------|
| 1   | 4402011504 | COUVERCLE SKIMMER PISCINE HORS SO   | 5         | 4402011505 | GUARNIZIONE PER CORNICE PISCINA FUC  |             |           |
| 2   | 4402011503 | COPERCHIO CESTELLO PISCINA FUORI TI | 6         | 4402011506 | COPERCHIO E FLANGIA PISCINA FUORI TE |             |           |
| 3   | 4402011502 | CESTELLO SKIMMER PISCINA FUORI TERF | 7         | 4402011507 | MANICOTTO SKIMMER PISCINA FUORI TERF |             |           |
| 4   | 4402011501 | BATTENTE SKIMMER PISCINA FUORI TERF | 8         | 06501      | BOCCHETTA PISCINA ELEVATA            |             |           |

CODE **09297**

BESCHREIBUNG: **SKIMMER AUFSTELLBECKEN**



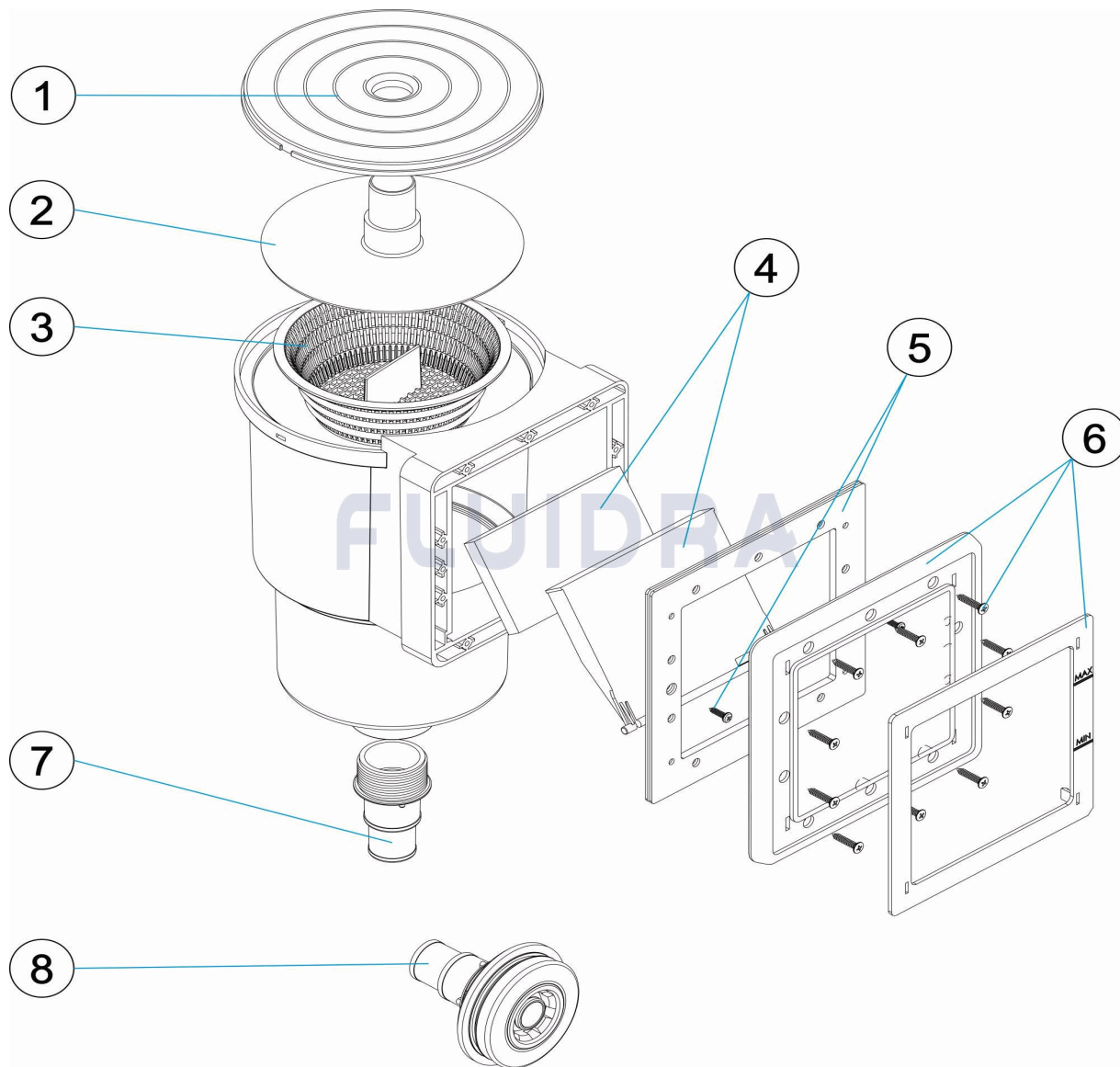
**DEUTSCH**

| POS | CODE       | BESCHREIBUNG                    | MENGE | POS        | CODE                             | BESCHREIBUNG | MENGE |
|-----|------------|---------------------------------|-------|------------|----------------------------------|--------------|-------|
| 1   | 4402011504 | SKIMMERABDECKUNG AUFSTELLBECKEN | 5     | 4402011505 | DICHTUNGEN RAHMEN AUFSTELLBECKEN |              |       |
| 2   | 4402011503 | ABDECKUNG KORB AUFSTELLBECKEN   | 6     | 4402011506 | ABDECKUNG UND RAHMEN AUFSTELLBEC |              |       |
| 3   | 4402011502 | SKIMMERKORB AUFSTELLBECKEN      | 7     | 4402011507 | NIPPEL SKIMMER AUFSTELLBECKEN    |              |       |
| 4   | 4402011501 | SKIMMERKLAPPE AUFSTELLBECKEN    | 8     | 06501      | DÜSE AUFSTELLBECKEN              |              |       |



CODIGO **09297**

DESCRIÇÃO: **SKIMMER PISCINA ELEVADA**



**PORTUGUES**

| POS | CODIGO     | DESCRIÇÃO                        | JANTIDADE | POS        | CODIGO                         | DESCRIÇÃO | JANTIDADE |
|-----|------------|----------------------------------|-----------|------------|--------------------------------|-----------|-----------|
| 1   | 4402011504 | TAMPA SKIMMER PISCINA ELEVADA    | 5         | 4402011505 | JUNTAS MARCO PISCINA ELEVADA   |           |           |
| 2   | 4402011503 | TAMPA CESTO PISCINA ELEVADA      | 6         | 4402011506 | TAMPA E MARCO PISCINA ELEVADA  |           |           |
| 3   | 4402011502 | CESTO SKIMMER PISCINA ELEVADA    | 7         | 4402011507 | RACORD SKIMMER PISCINA ELEVADA |           |           |
| 4   | 4402011501 | COMPORTA SKIMMER PISCINA ELEVADA | 8         | 06501      | BOQUILHA PISCINA ELEVADA       |           |           |