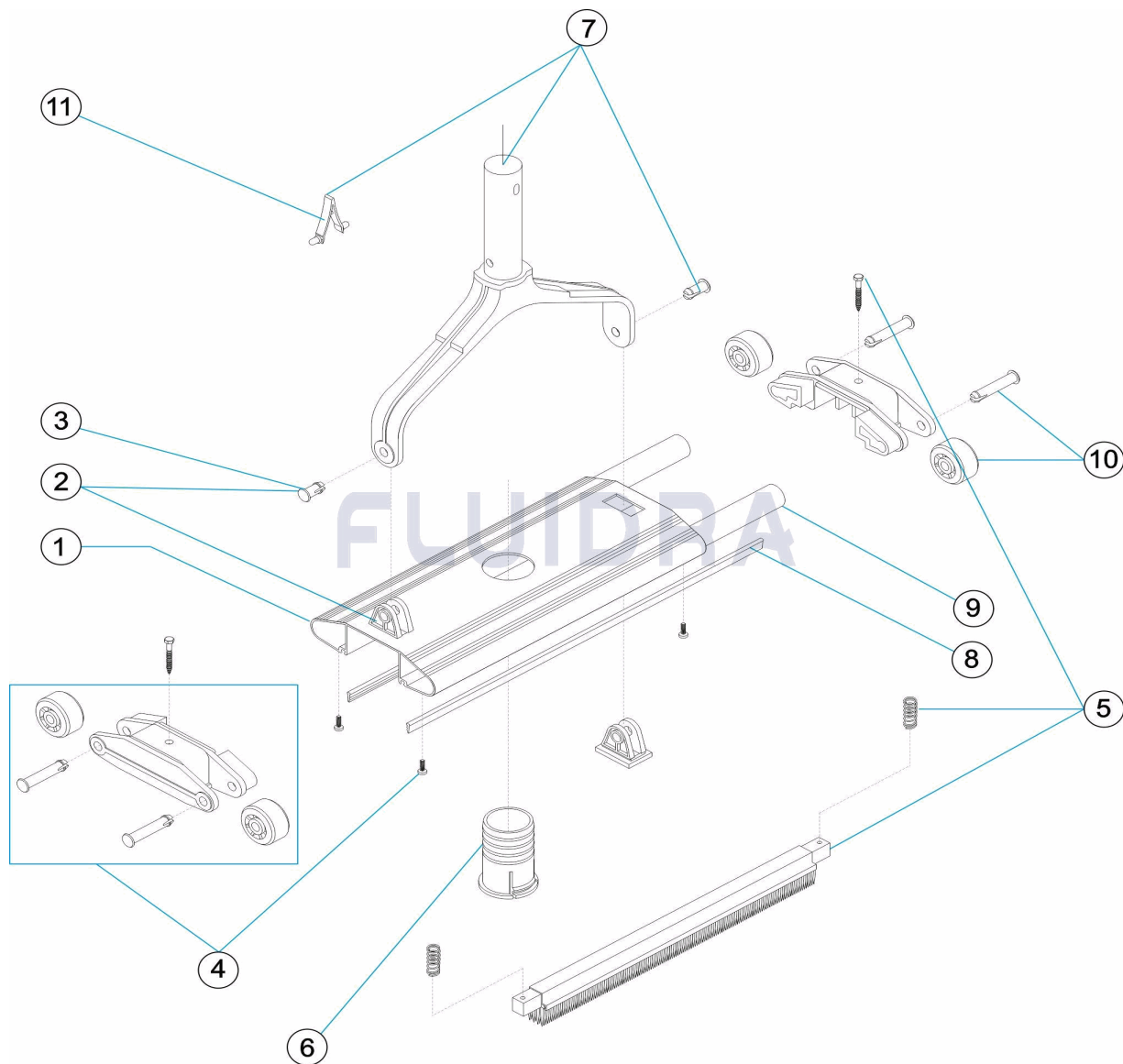


CODIGO **01355**

DESCRIPCION: LIMPIAFONDOS MANUAL 1 1/2" L=350"

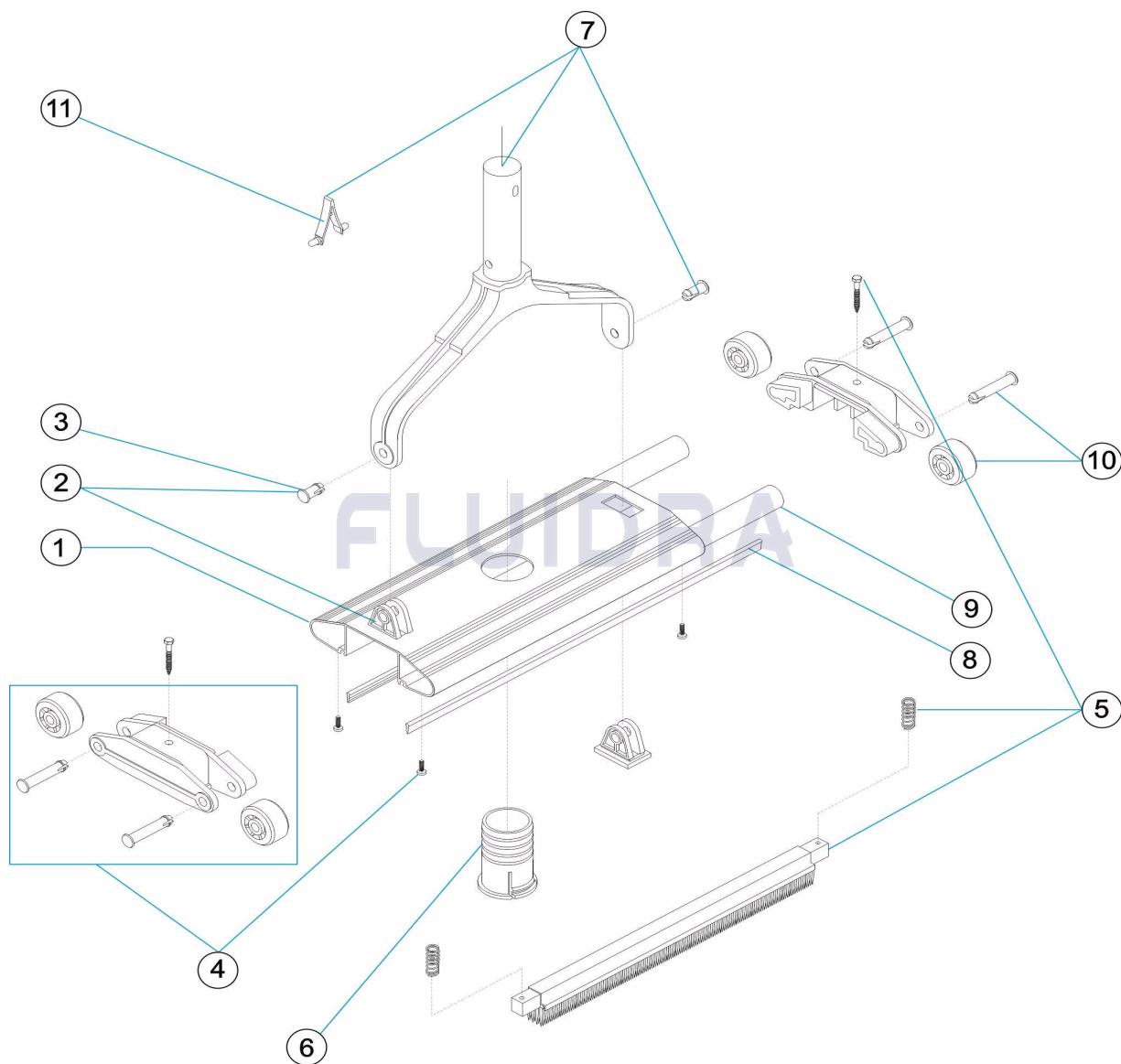


ESPAÑOL

POS	CODIGO	DESCRIPCION	CANTIDAD	POS	CODIGO	DESCRIPCION	CANTIDAD
1	4406020401	CUERPO LIMPIAFONDOS 1 1/2'		7	4406020415	HORQUILLA CLIP	
2	4406020403	PASADORES Y OREJETAS		8	4406020411	DEFLECTOR LIMPIAFONDOS 1 1/2'	
3	4406020404	PASADORES HORQUILLA		9	4406020413	PLOMOS LIMPIAFONDOS 1 1/2'	
4	4406020405	TACO LATERAL LIMPIAFONDOS		10	4406020206	RUEDAS LIMPIAFONDOS	
5	4406020406	CEPILLO LIMPIAFONDOS 1 1/2'		11	4406020811	CLIP	
6	4406020408	RACORD LIMPIAFONDOS 1 1/2'					

CODE 01355

DESCRIPTION: NETTOYEUR DE FOND MANUEL 1 1/2" L=350"

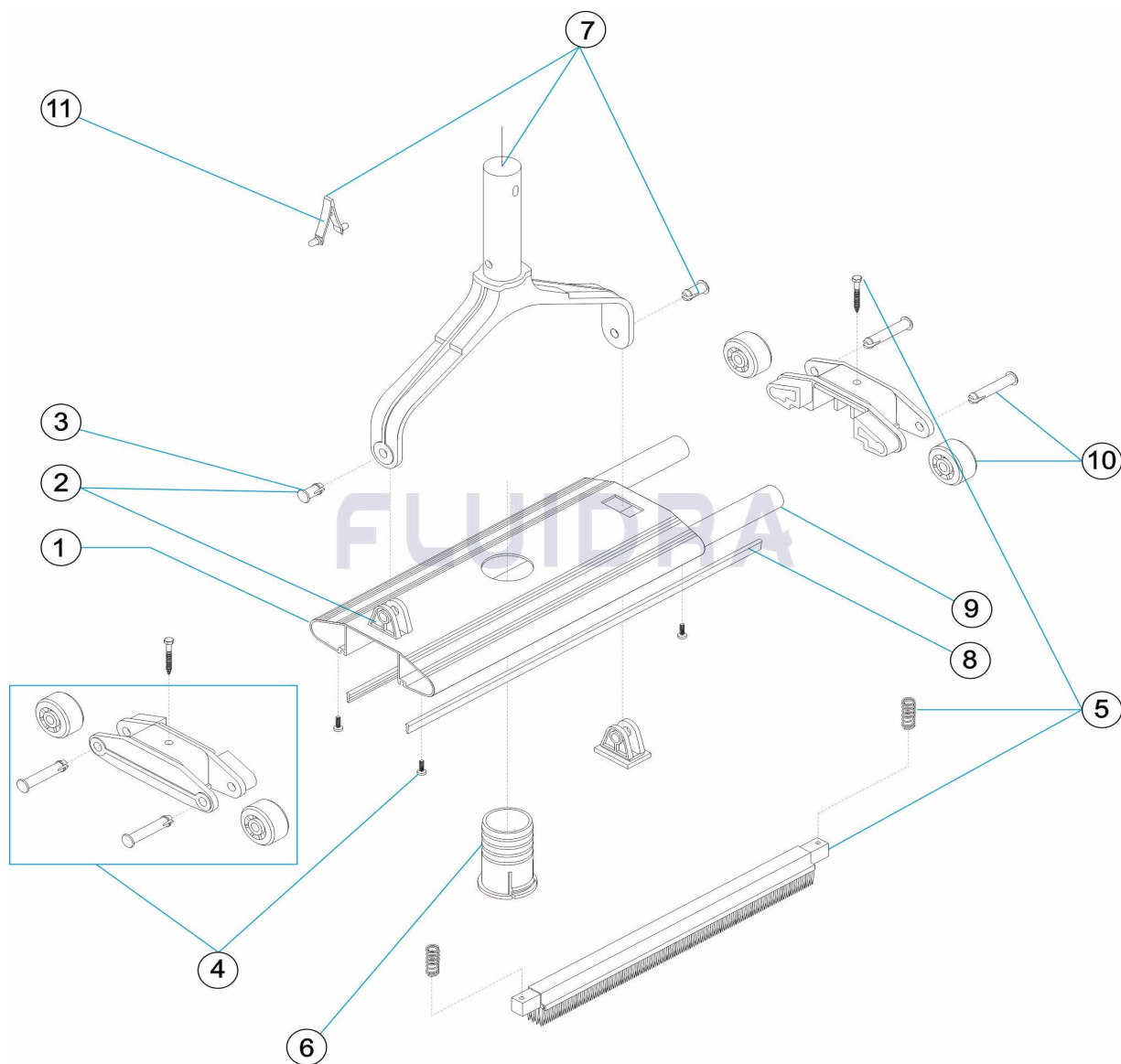


FRANCAIS

POS	CODE	DESCRIPTION	QUANTITE	POS	CODE	DESCRIPTION	QUANTITE
1	4406020401	CORPS ASPIRATEUR ANODISE		7	4406020415	ÉTRIER A CLIP	
2	4406020403	SUPPORTS ÉTRIER ET AXES		8	4406020411	DÉFLECTEUR ASPIRATEUR 1 1/2"	
3	4406020404	AXES ÉTRIER		9	4406020413	PLOMB ASPIRATEUR 1 1/2"	
4	4406020405	SUPPORT LATÉRAL ASPIRATEURS		10	4406020206	ROUES ASPIRATEURS	
5	4406020406	BROSSE ASPIRATEUR 1 1/2"		11	4406020811	CLIP	
6	4406020408	RACCORD 1 1/2' ASPIRATEUR					

CODE **01355**

DESCRIPTION: **MANUAL POOL CLEANER 1 1/2" L = 350"**

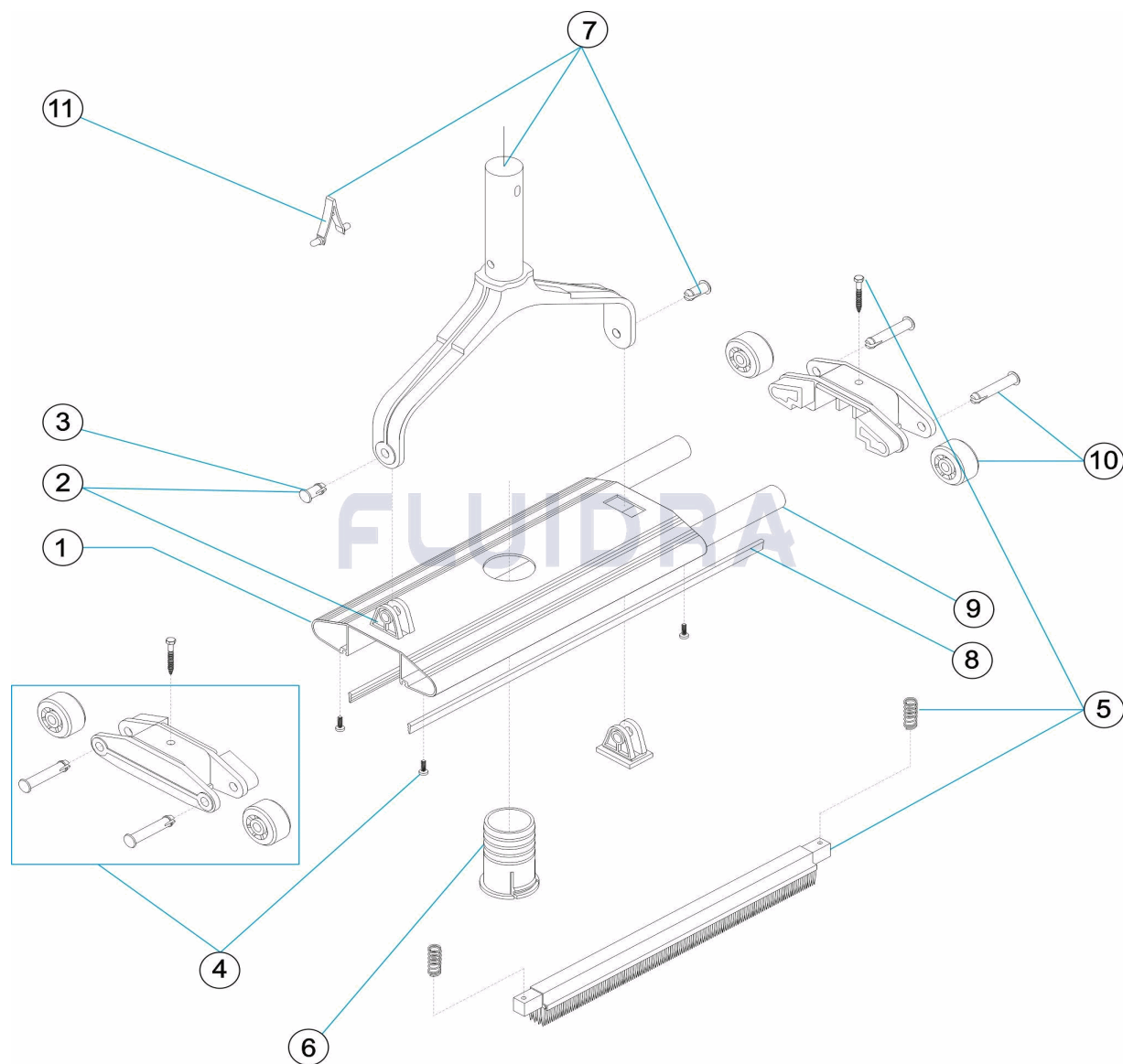


ENGLISH

POS	CODE	DESCRIPTION	QUANTITY	POS	CODE	DESCRIPTION	QUANTITY
1	4406020401	METAL VAC HEAD BODY		7	4406020415	HANDLE WITH CLIP FIXING	
2	4406020403	PINS AND LUGS		8	4406020411	VAC HEAD DEFLECTOR 1 1/2"	
3	4406020404	HITCH PIN		9	4406020413	VAC HEAD WEIGHTS 1 1/2"	
4	4406020405	VAC HEAD END PIECES		10	4406020206	VAC HEAD WHEELS	
5	4406020406	VAC HEAD BRUSH 1 1/2"		11	4406020811	CLIP	
6	4406020408	VAC HEAD FITTING 1 1/2"					

CODICE **01355**

DESCRIZIONE: **PULISCIFONDI MANUALE 1 1/2" L=350"**

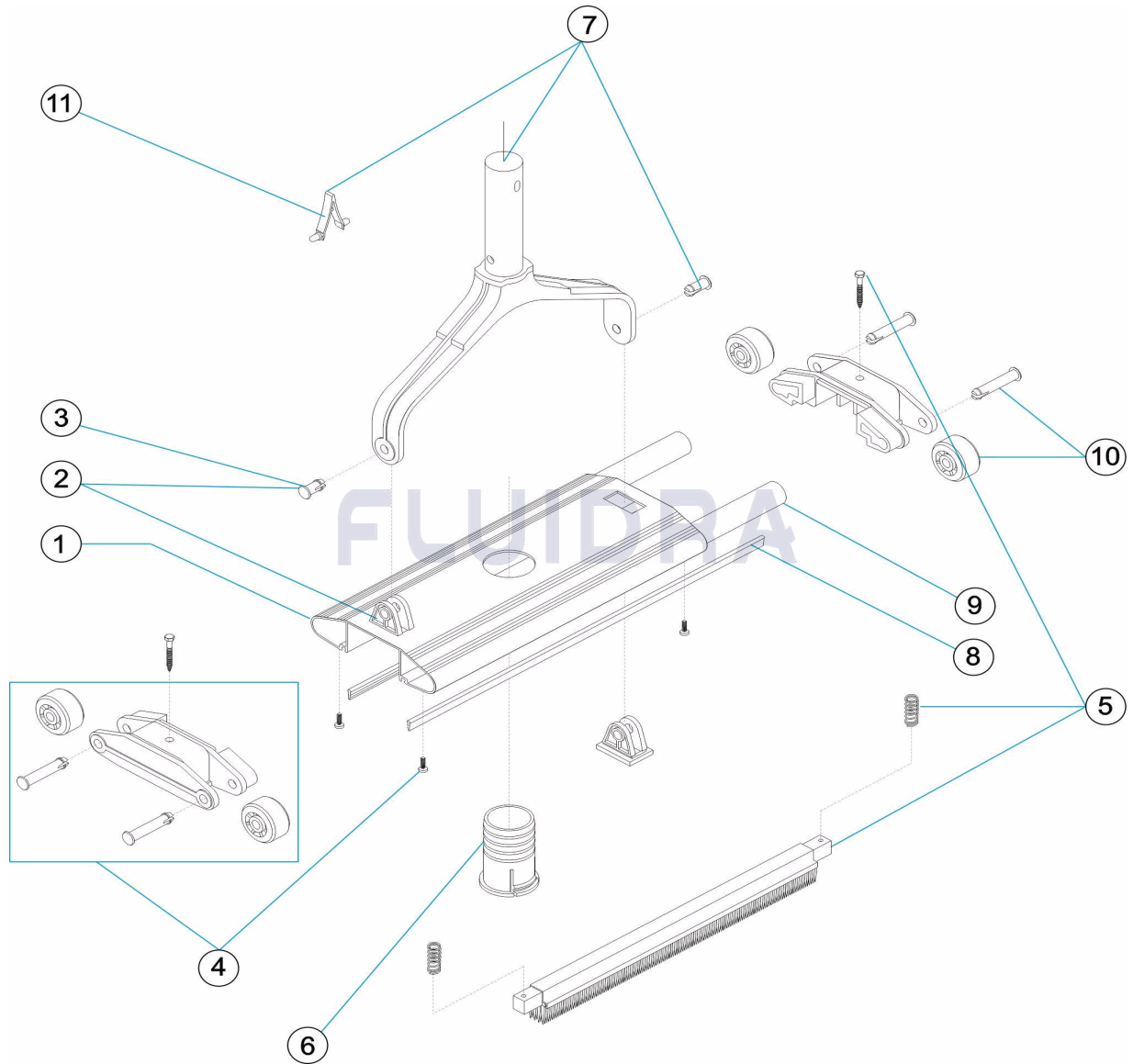


ITALIANO

POS	CODICE	DESCRIZIONE	QUANTITA'	POS	CODICE	DESCRIZIONE	QUANTITA'
1	4406020401	CORPO ASPIRAFANGO ESTRUSO		7	4406020415	FORCELLA CLIP	
2	4406020403	PASSANTI + SUPPORTI		8	4406020411	DEFLETTORE ASPIRAFANGO 1 1/2"	
3	4406020404	PASSANTI FORCELLA		9	4406020413	PESI ASPIRAFANGO 1 1/2"	
4	4406020405	TAPPO LATERALE ASPIRAFANGO		10	4406020206	RUOTE ASPIRAFANGO	
5	4406020406	SPAZZOLA ASPIRAFANGO 1 1/2"		11	4406020811	CLIP	
6	4406020408	RACCORDO ASPIRAFANGO 1 1/2"					

CODE **01355**

BESCHREIBUNG: **MANUELLER BODENREINIGER 1 1/2" L=350"**

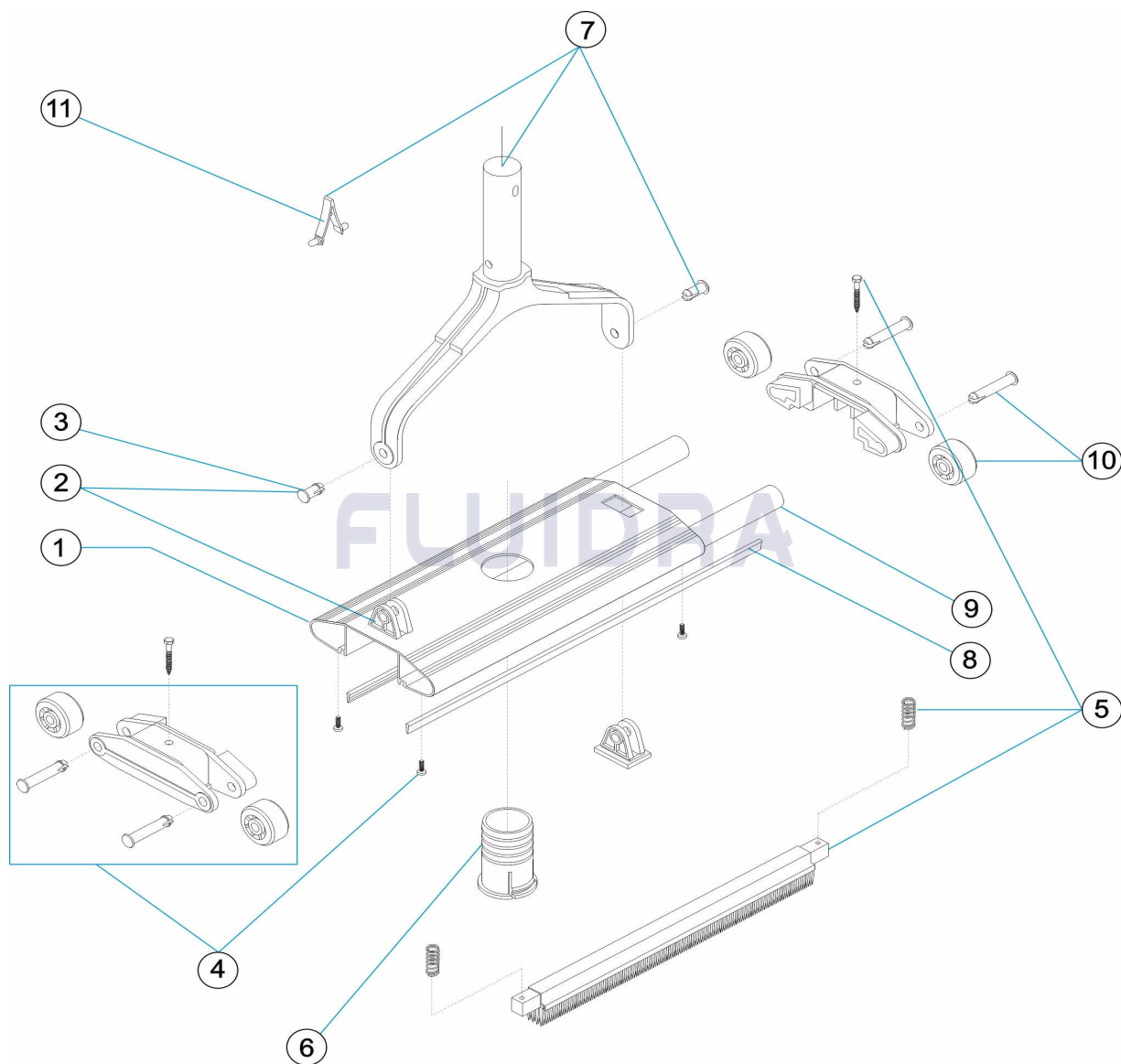


DEUTSCH

POS	CODE	BESCHREIBUNG	MENGE	POS	CODE	BESCHREIBUNG	MENGE
1	4406020401	GEHÄUSE BODENREINIGER 1 1/2'		7	4406020415	GABEL CLIP	
2	4406020403	STIFTE UND LASCHEN		8	4406020411	DEFLEKTOR BODENREINIGER 1 1/2'	
3	4406020404	STIFTE GABEL		9	4406020413	GEWICHTE BODENREINIGER 1 1/2'	
4	4406020405	SEITENKEIL BODENREINIGER		10	4406020206	RÄDER BODENREINIGER	
5	4406020406	BÜRSTE BODENREINIGER 1 1/2'		11	4406020811	CLIP	
6	4406020408	GEWINDESTÜCK BODENREINIGER 1 1/2'					

CODIGO **01355**

DESCRIÇÃO: LIMPADOR DE FUNDOS MANUAL 1 1/2" L = 350"



PORTUGUES

POS	CODIGO	DESCRIÇÃO	JANTIDADE	POS	CODIGO	DESCRIÇÃO	JANTIDADE
1	4406020401	CORPO ASP. EXTRUSIONADO		7	4406020415	FORQUILHA LIGAÇÃO CLIP	
2	4406020403	PASSADORES COM OLHAIS		8	4406020411	DEFLECTOR ASPIRADOR 1 1/2"	
3	4406020404	PASSADORES FORQUILHA		9	4406020413	CHUMBOS ASPIRADOR 1 1/2"	
4	4406020405	TACO LATERAL ASPIRADOR		10	4406020206	RODAS ASPIRADORES	
5	4406020406	ESCOVA ASP. ASPIRADOR 1 1/2"		11	4406020811	CLIP	
6	4406020408	RACORD ASPIRADOR 1 1/2"					