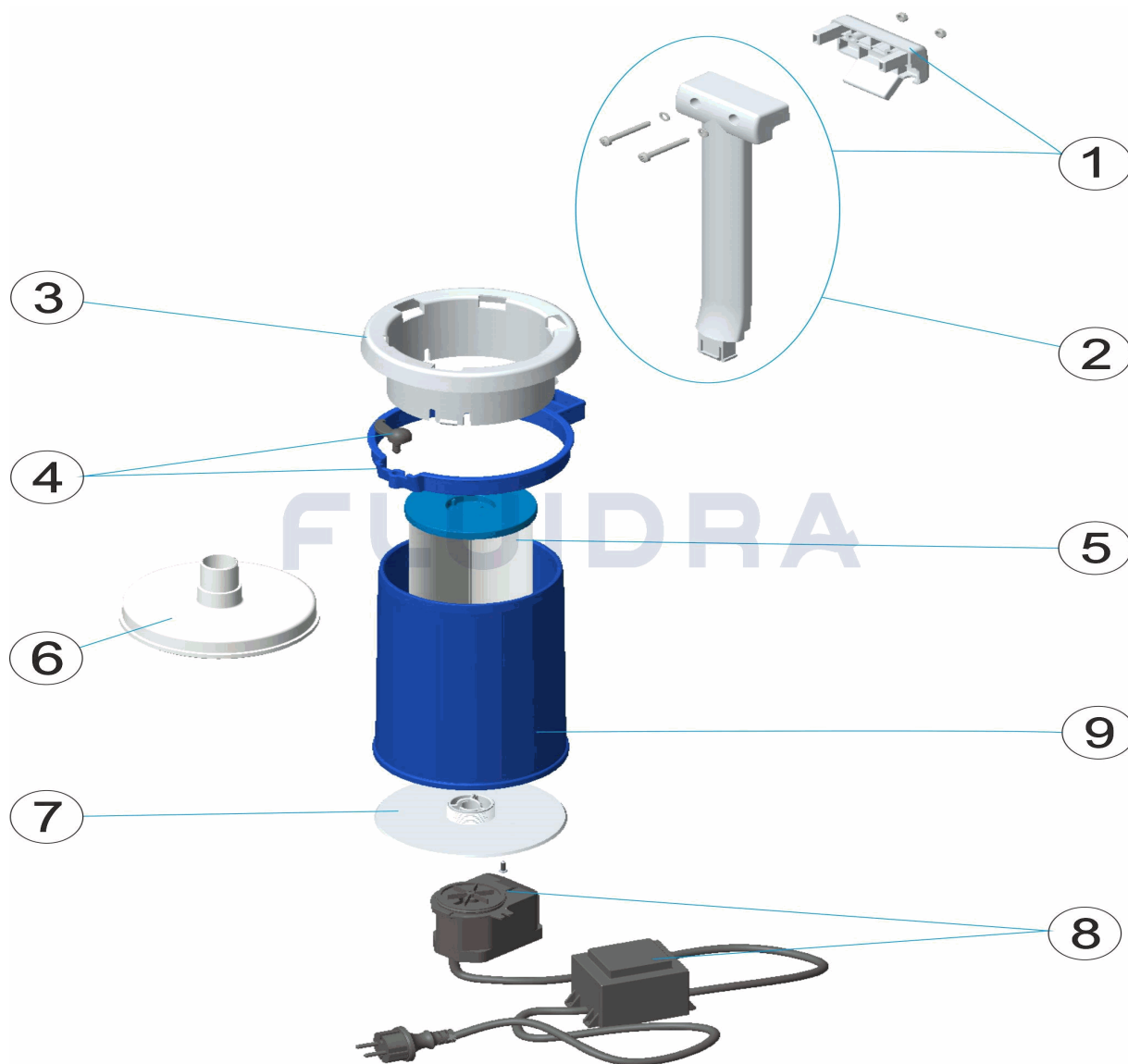


CODIGO 27586, 30899

DESCRIPCION: SKIMFILTER 2000 Y 4000 L/H. INTERIOR PISCINA CHAPA



ESPAÑOL

POS	CODIGO	DESCRIPCION	CANTIDAD	POS	CODIGO	DESCRIPCION	CANTIDAD
1	4411030802	CONJUNTO SOPORTE PLASTICO		6	4411030807	TAPA SKIMMER D. 32-38	
2	4411040301	BRAZO SOPORTE		7	* 4411030808	BASE SKIMMER 2000 L/H (27586)	
3	4411030501	FLOTADOR SKIMM-FILTER		7	* 4411030809	BASE MOTOR SKIMFILTER 4000 L/H (30899)	
4	4411030803	BRIDA SOPORTE SKIMM-FILTER		8	* 4411030801	MOTOR SKIM-FILTER (27586)	
5	* 4411030805	CARTUCHO ROSC.CORTO R170 (110 PLIEC		8	* 4411030810	CONJUNTO MOTOR 4000 L/H (30899)	
5	* 4411030806	CARTUXO FILTRO D. 112X245X1 1/4" BSP (9	11054R0001	CUERPO SKIMMIFILTER 4,5 M3/H.	

CODIGO 27586, 30899

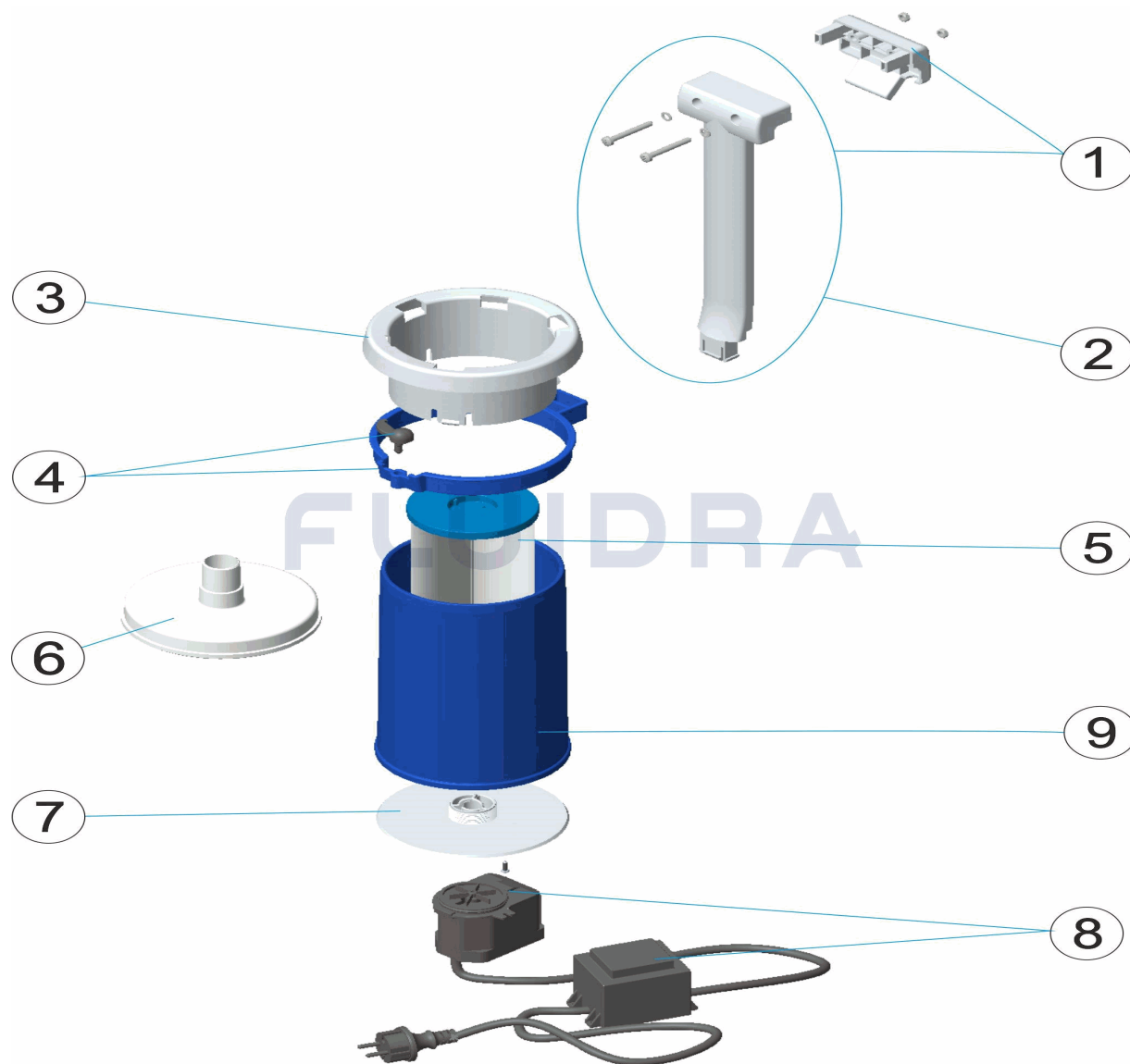
DESCRIPCION: SKIMFILTER 2000 Y 4000 L/H. INTERIOR PISCINA CHAPA

OBSERVACIONES

POS	CODIGO	OBSERVACIONES
5	* 4411030805	PARA: 27586
5	* 4411030806	PARA: 30899
7	* 4411030808	PARA: 27586
7	* 4411030809	PARA: 30899
8	* 4411030801	PARA: 27586
8	* 4411030810	PARA: 30899

CODE 27586, 30899

DESCRIPTION: SKIMFILTER 2000 ET 4000 L/H. INTÉRIEUR PISCINE TÔLE



FRANCAIS

POS	CODE	DESCRIPTION	QUANTITE	POS	CODE	DESCRIPTION	QUANTITE
1	4411030802	ENSEMBLE SUPPORT PLASTIQUE		6	4411030807	COUVERCLE ROND DE SKIMMER D. 32-38	
2	4411040301	BRAS SUPPORT		7	* 4411030808	BASE SKIMMER 2000 L/H (27586)	
3	4411030501	FLOTTEUR SKIMM-FILTER		7	* 4411030809	BASE MOTEUR SKIMFILTER 4000 L/H (3089)	
4	4411030803	BRIDE SUPPORT SKIMFILTER		8	* 4411030801	MOTEUR SKIMMIFILTER (27586)	
5	* 4411030805	CARTOUCHE VISSÉE COURTE R170 (110 F)		8	* 4411030810	ENSEMBLE MOTEUR 4000 L/H (30899)	
5	* 4411030806	CARTOUCHE FILTRE D. 112X245X1 1/4" B5		9	11054R0001	CORPS SKIMMER 4,5 M3/H	

CODE **27586, 30899**

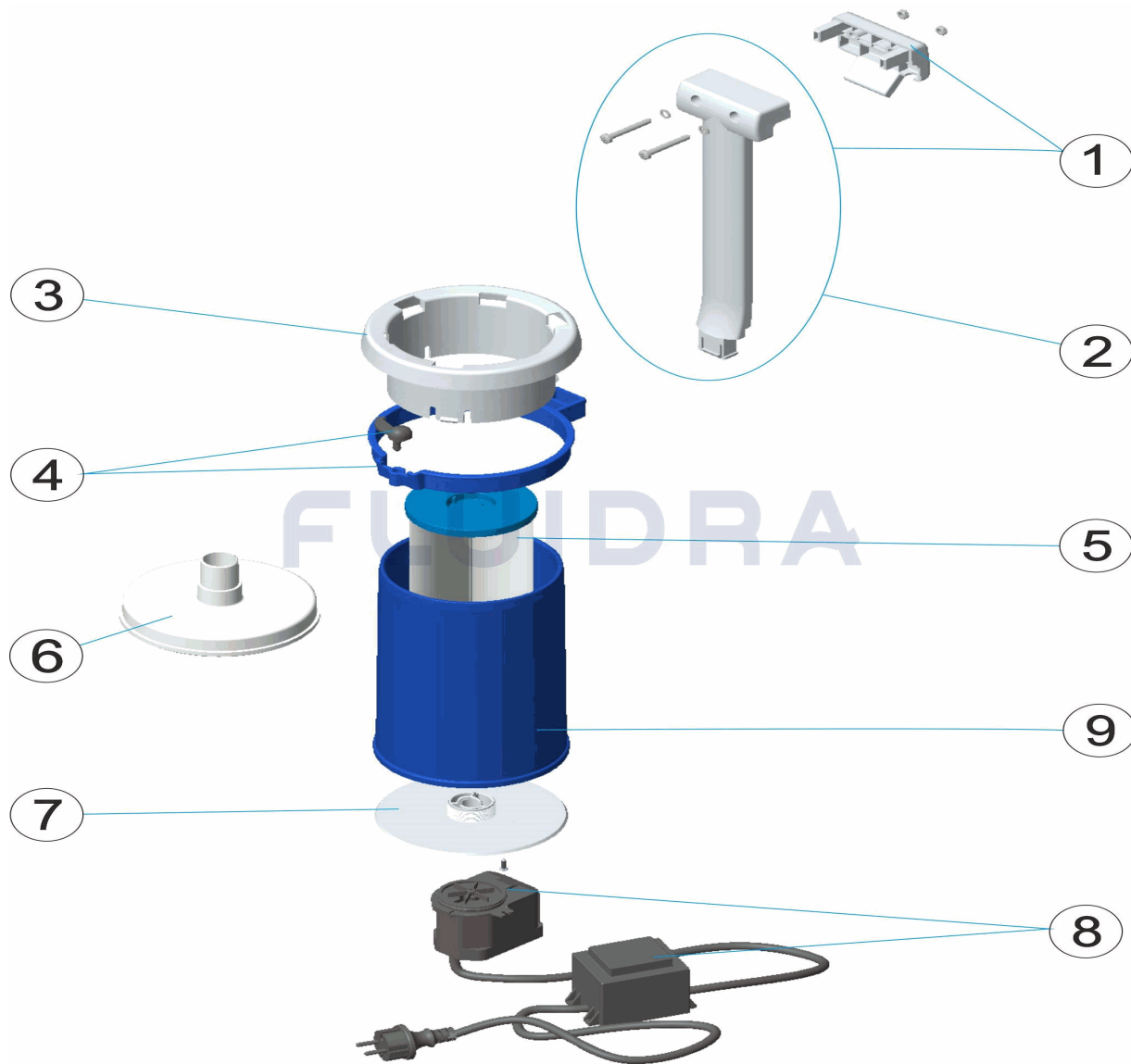
DESCRIPTION: **SKIMFILTER 2000 ET 4000 L/H. INTÉRIEUR PISCINE TÔLE**

OBSERVATIONS

POS	CODE	OBSERVATIONS
5	* 4411030805	POUR: 27586
5	* 4411030806	POUR: 30899
7	* 4411030808	POUR: 27586
7	* 4411030809	POUR: 30899
8	* 4411030801	POUR: 27586
8	* 4411030810	POUR: 30899

CODE 27586, 30899

DESCRIPTION: SKIMFILTER 2000 AND 4000 L/H. INDOOR PANEL POOL



ENGLISH

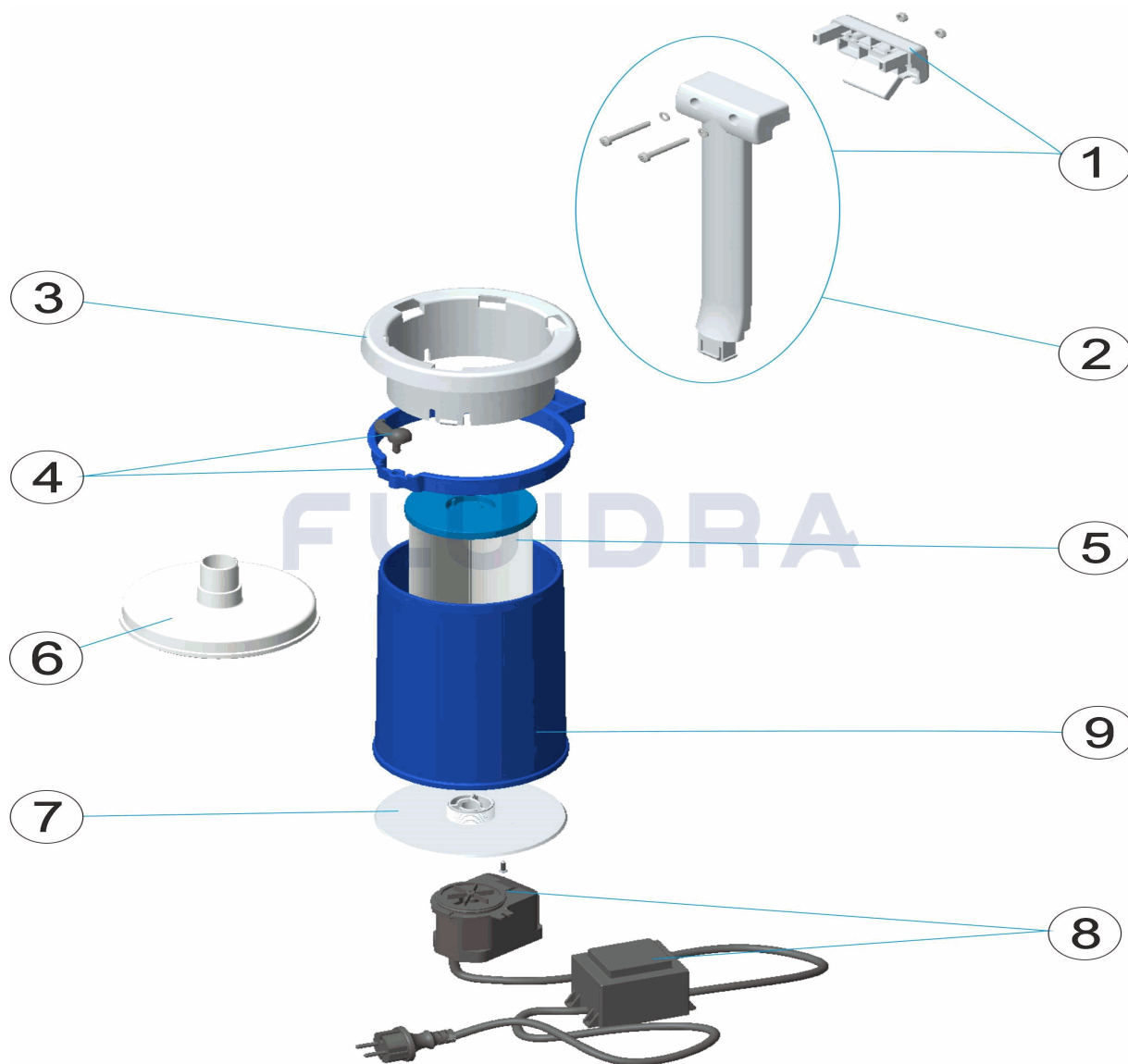
POS	CODE	DESCRIPTION	QUANTITY	POS	CODE	DESCRIPTION	QUANTITY
1	4411030802	PLASTIC SUPPORT SET		6	4411030807	SKIMMER LID D.32-38	
2	4411040301	SUPPORT ARM		7	* 4411030808	2000 L/H (27586) SKIMMER BASE	
3	4411030501	SKIMM-FILTER FLOAT		7	* 4411030809	4000 L/H SKIMFILTER MOTOR BASE (30899)	
4	4411030803	SKIMFILTER SUPPORT FLANGE		8	* 4411030801	SKIMM-FILTER MOTOR (27586)	
5	* 4411030805	R170 THREADED CARTRIDGE (110 PLEATS)		8	* 4411030810	4000 L/H MOTOR UNIT (30899)	
5	* 4411030806	D. 112X245X1 1/4" BSP FILTER CARTRIDGE		9	11054R0001	4.5 M3/H. SKIMMIFILTER BODY	

CODE **27586, 30899**DESCRIPTION: **SKIMFILTER 2000 AND 4000 L/H. INDOOR PANEL POOL****OBSERVATIONS**

POS	CODE	OBSERVATIONS
5	* 4411030805	FOR: 27586
5	* 4411030806	FOR: 30899
7	* 4411030808	FOR: 27586
7	* 4411030809	FOR: 30899
8	* 4411030801	FOR: 27586
8	* 4411030810	FOR: 30899

CODICE **27586, 30899**

DESCRIZIONE: **SKIMFILTER 2000 E 4000 L/H INTERIORE PISCINA LASTRA**



ITALIANO

POS	CODICE	DESCRIZIONE	QUANTITA'	POS	CODICE	DESCRIZIONE	QUANTITA'
1	4411030802	COMPLESO SUPPORTO PLASTICO		6	4411030807	COPERCHIO SKIMMER D. 32-38	
2	4411040301	BRACCIO SUPPORTO		7	* 4411030808	BASE SKIMMER 2000 L/H (27586)	
3	4411030501	GALLEGGIANTE SKIMM-FILTER		7	* 4411030809	BASE MOTORE SKIMFILTER 4000 L/H (3089)	
4	4411030803	FLANGIA SUPPORTO SKIMFILTER		8	* 4411030801	MOTOR SKIMM-FILTER (27586)	
5	* 4411030805	CARTUCCIA FILETTO CORTO R170 (110 PII)		8	* 4411030810	COMPLESSO MOTORE 4000 L/H (30899)	
5	* 4411030806	CARTUCCIA FILTRO D. 112X245X1 1/4" BSI		9	11054R0001	CORPO SKIMM-FILTER 4,5 M3/H	

CODICE **27586, 30899**

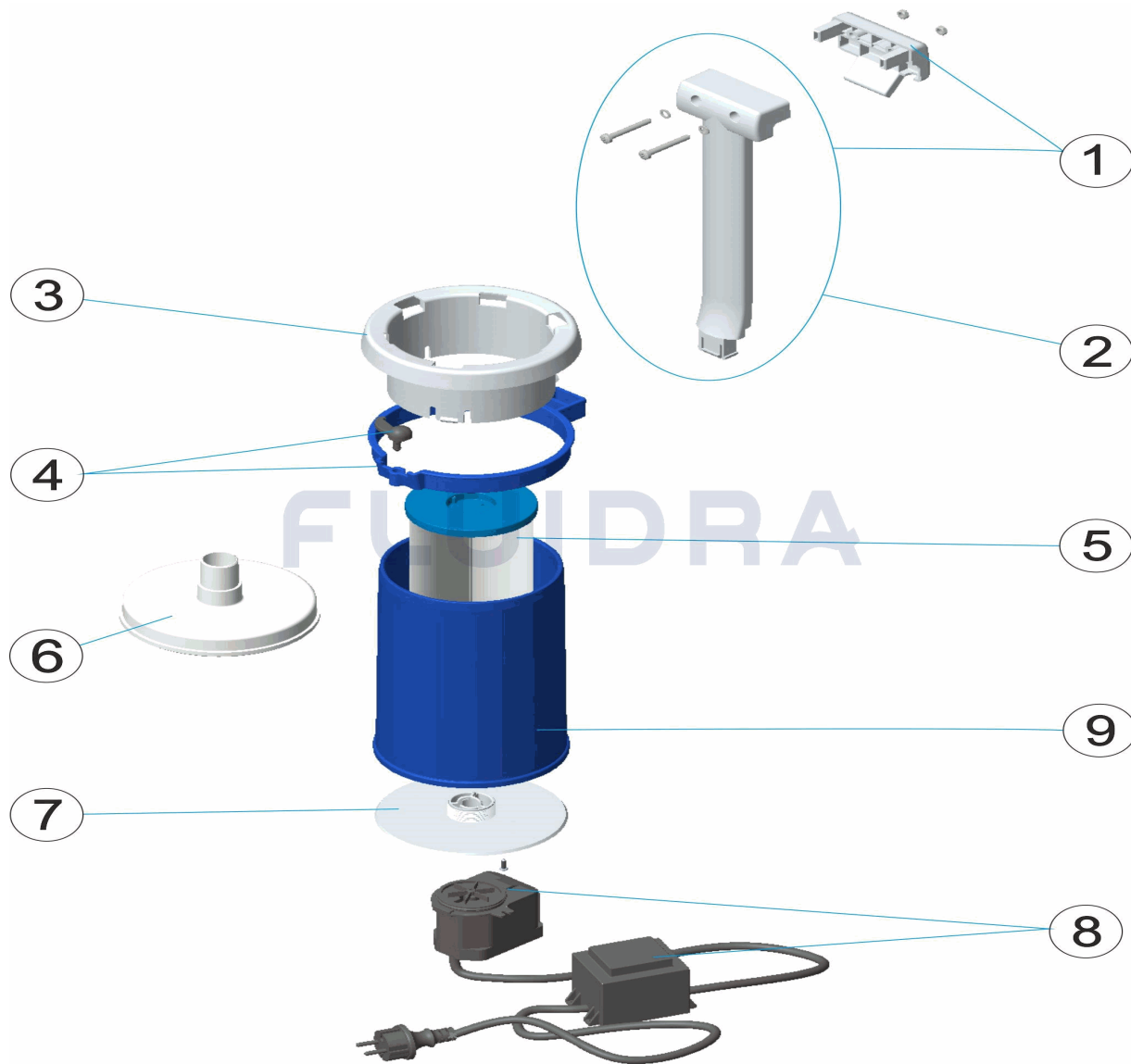
DESCRIZIONE: **SKIMFILTER 2000 E 4000 L/H INTERIORE PISCINA LASTRA**

OSSERVAZIONI

POS	CODICE	OSSERVAZIONI
5	* 4411030805	PER: 27586
5	* 4411030806	PER: 30899
7	* 4411030808	PER: 27586
7	* 4411030809	PER: 30899
8	* 4411030801	PER: 27586
8	* 4411030810	PER: 30899

CODE 27586, 30899

BESCHREIBUNG: SKIMFILTER 2000 UND 4000 L/H INNEN BLECHBECKEN



DEUTSCH

POS	CODE	BESCHREIBUNG	MENGE	POS	CODE	BESCHREIBUNG	MENGE
1	4411030802	SET HALTERUNG KUNSTSTOFF		6	4411030807	SKIMMERABDECKUNG D. 32 - 38	
2	4411040301	HALTERUNG		7	* 4411030808	BASIS SKIMMER 2000 L/H (27586)	
3	4411030501	SCHWIMMER SKIMM-FILTER		7	* 4411030809	BASIS MOTOR SKIMFILTER 4000 L/H (30899)	
4	4411030803	HILFSFLANSCH SKIMMFILTER		8	* 4411030801	MOTOR SKIM-FILTER (27586)	
5	* 4411030805	KARTUSCHE GEW. KURZ R170 (110 FALTU		8	* 4411030810	SET MOTOR 4000 L/H (30899)	
5	* 4411030806	FILTERKARTUSCHE D. 112 X 245 X 1 1/4" B		9	11054R0001	GEHÄUSE SKIMMFILTER 4,5 M3/H	

CODE **27586, 30899**

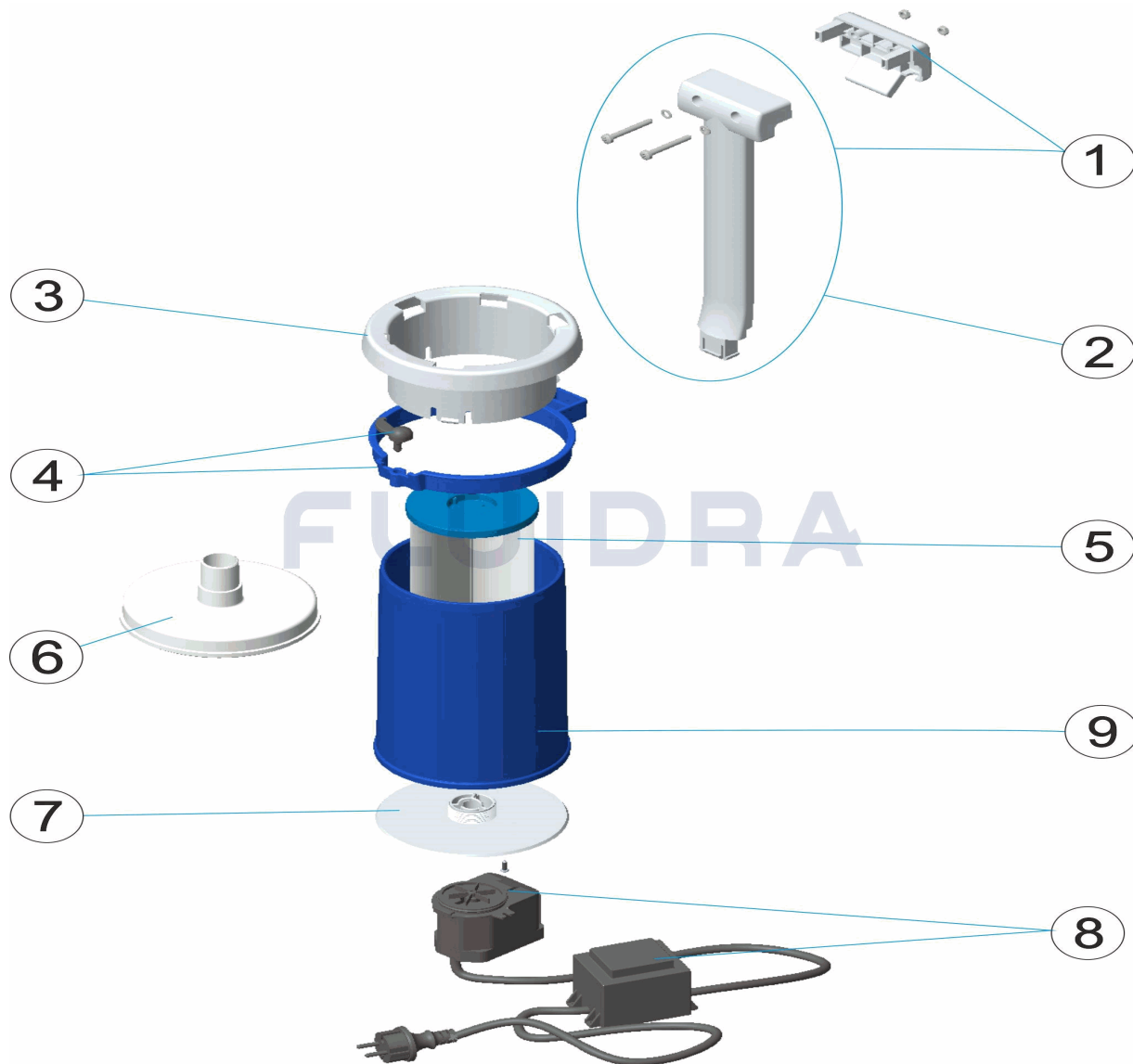
BESCHREIBUNG: **SKIMFILTER 2000 UND 4000 L/H INNEN BLECHBECKEN**

HINWEISE

POS	CODE	HINWEISE
5	* 4411030805	FÜR: 27586
5	* 4411030806	FÜR: 30899
7	* 4411030808	FÜR: 27586
7	* 4411030809	FÜR: 30899
8	* 4411030801	FÜR: 27586
8	* 4411030810	FÜR: 30899

CODIGO 27586, 30899

DESCRIÇÃO: SKIMFILTER 2000 E 4000 L/H. INTERIOR PISCINA CHAPA



PORTUGUES

POS	CODIGO	DESCRIÇÃO	JANTIDADE	POS	CODIGO	DESCRIÇÃO	JANTIDADE
1	4411030802	CONJUNTO SUPORTE PLÁSTICO		6	4411030807	TAMPA SKIMMER D. 32-38	
2	4411040301	BRAÇO DE SUPORTE		7	* 4411030808	BASE SKIMMER 2000 L/H (27586)	
3	4411030501	FLUTUADOR SKIMM-FILTER		7	* 4411030809	BASE MOTOR SKIMFILTER 4000 L/H (30899)	
4	4411030803	FLANGE SUPORTE SKIMFILTER		8	* 4411030801	MOTOR SKIMMFILTER (27586)	
5	* 4411030805	CARTUCHO ROSC. CURTO R170 (110 DOB)		8	* 4411030810	CONJUNTO MOTOR 4000 L/H (30899)	
5	* 4411030806	CARTUCHO FILTRO D. 112X245X1 1/4" BSF		9	11054R0001	CORPO FILTRO SKIMMER 4,5 M3/H.	

CODIGO **27586, 30899**

DESCRIÇÃO: **SKIMFILTER 2000 E 4000 L/H. INTERIOR PISCINA CHAPA**

OBSERVAÇÕES

POS	CODIGO	OBSERVAÇÕES
5	* 4411030805	PARA: 27586
5	* 4411030806	PARA: 30899
7	* 4411030808	PARA: 27586
7	* 4411030809	PARA: 30899
8	* 4411030801	PARA: 27586
8	* 4411030810	PARA: 30899