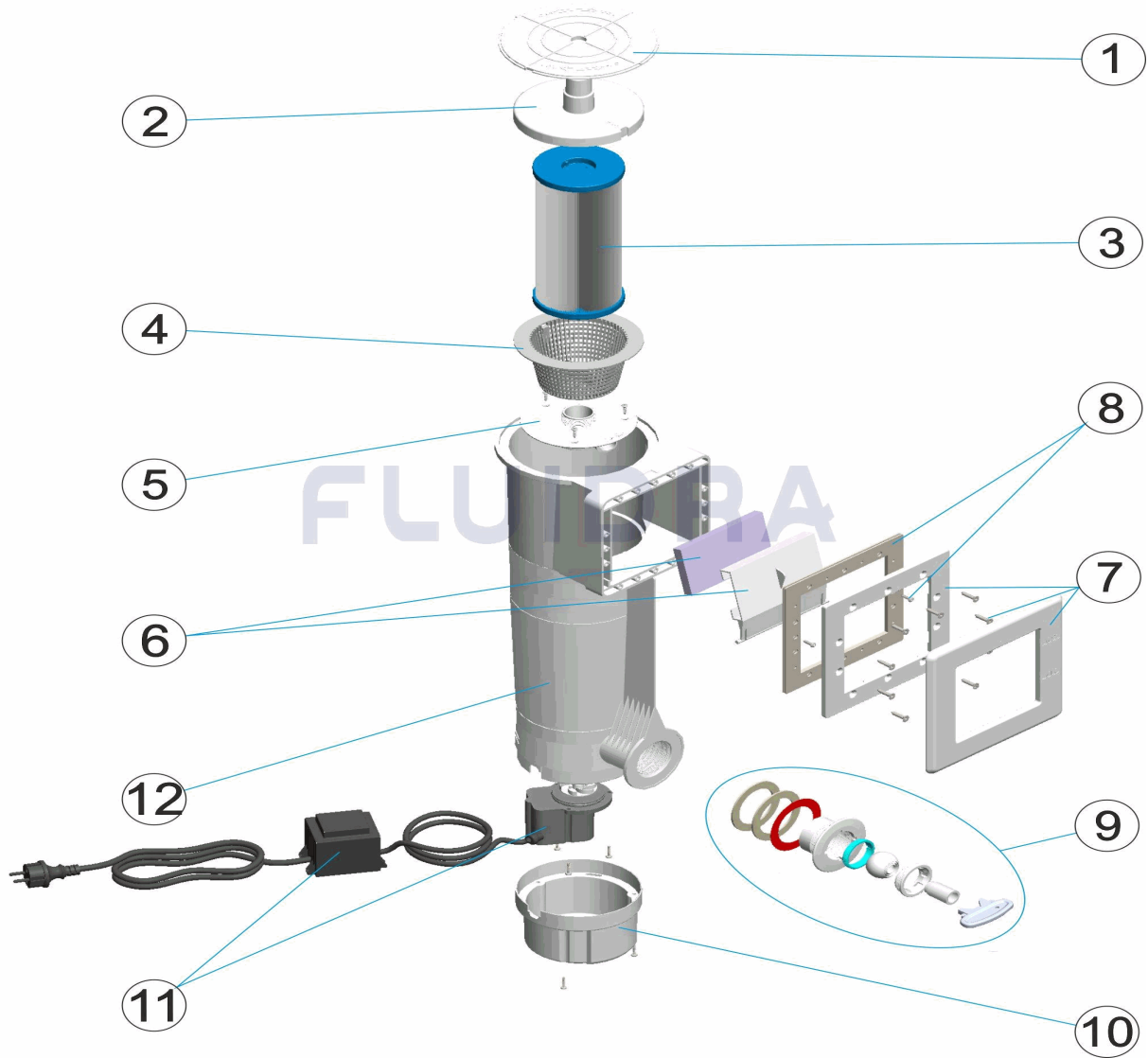


CODIGO **30889**

DESCRIPCION: **SKIMMER MOCHILLA 4000 L/H.**

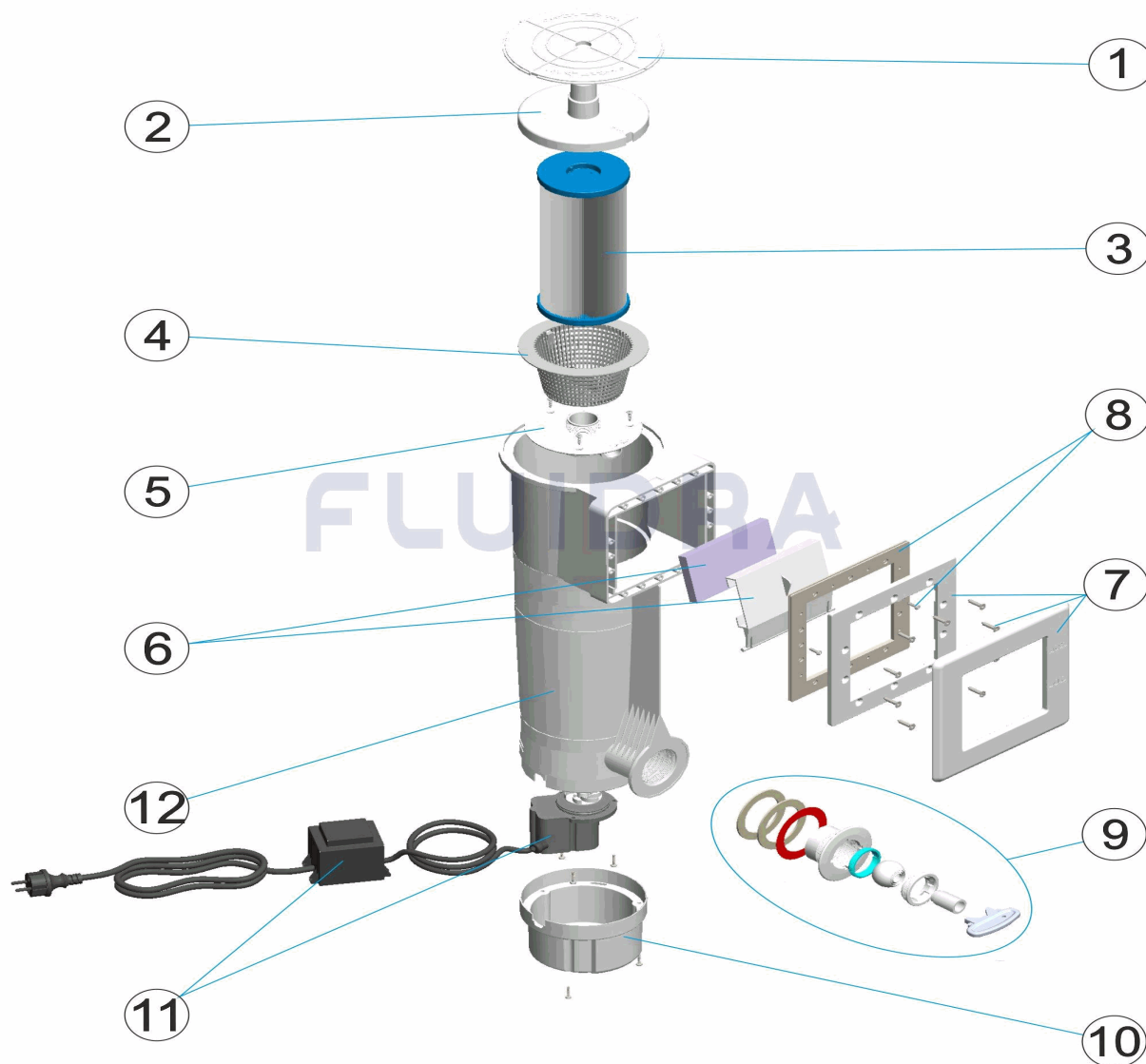


ESPAÑOL

POS	CODIGO	DESCRIPCION	CANTIDAD	POS	CODIGO	DESCRIPCION	CANTIDAD
1	4411030604	TAPA SKIMMER		7	4411030607	TAPA Y MARCO SKIMMER	
2	4411030603	TAPA ASPIRACION SKIMMER		8	4411030305	JUNTA SKIMMER	
3	4411030806	CARTUXO FILTRO D. 112X245X1 1/4" BSP (9	4411030202	CJTO. BOQUILLA SKIMMER MOCHILA	
4	4411030602	CESTO SKIMMER PISCINA ELEVADA		10	4411030203	TAPA MOTOR SKIMFILTER MOCHILLA	
5	4411030201	ADAPTADOR SKIMMER		11	4411030810	CONJUNTO MOTOR 4000 L/H (30899)	
6	4411030601	COMPUERTA FLOTADOR SKIMMER		12	30889R0001	CUERPO SKIMMER MOCHILLA	

CODE 30889

DESCRIPTION: SKIMMER PORTATIF 4000 L/H.

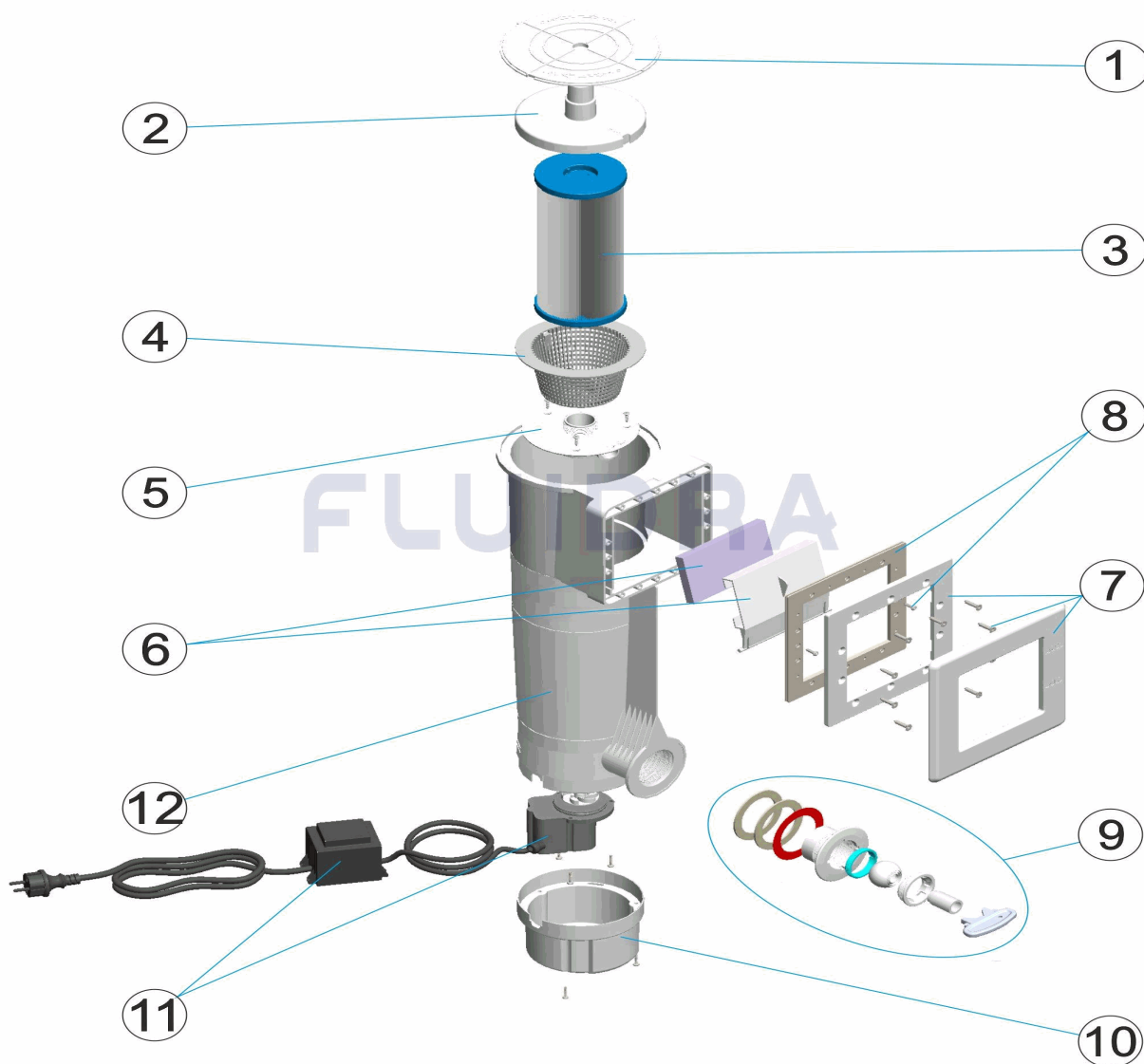


FRANCAIS

POS	CODE	DESCRIPTION	QUANTITE	POS	CODE	DESCRIPTION	QUANTITE
1	4411030604	COUVERCLE ROND DE SKIMMER		7	4411030607	COUVERCLE ET FAÇADE SKIMMER	
2	4411030603	COUVERCLE ASPIRATION SKIMMER		8	4411030305	JOINT SKIMMER	
3	4411030806	CARTOUCHE FILTRE D. 112X245X1 1/4" B€		9	4411030202	BOUCHE DE REFOULEMENT	
4	4411030602	PANIER SKIMMER PISCINE HORS SOL		10	4411030203	COUVERCLE MOTEUR	
5	4411030201	ADAPTATEUR SKIMMER		11	4411030810	ENSEMBLE MOTEUR 4000 L/H (30899)	
6	4411030601	VOLET FLOTTEUR SKIMMER		12	30889R0001	CORPS DU SKIMMER	

CODE 30889

DESCRIPTION: RUCKSACK SKIMMER 4000 L/H

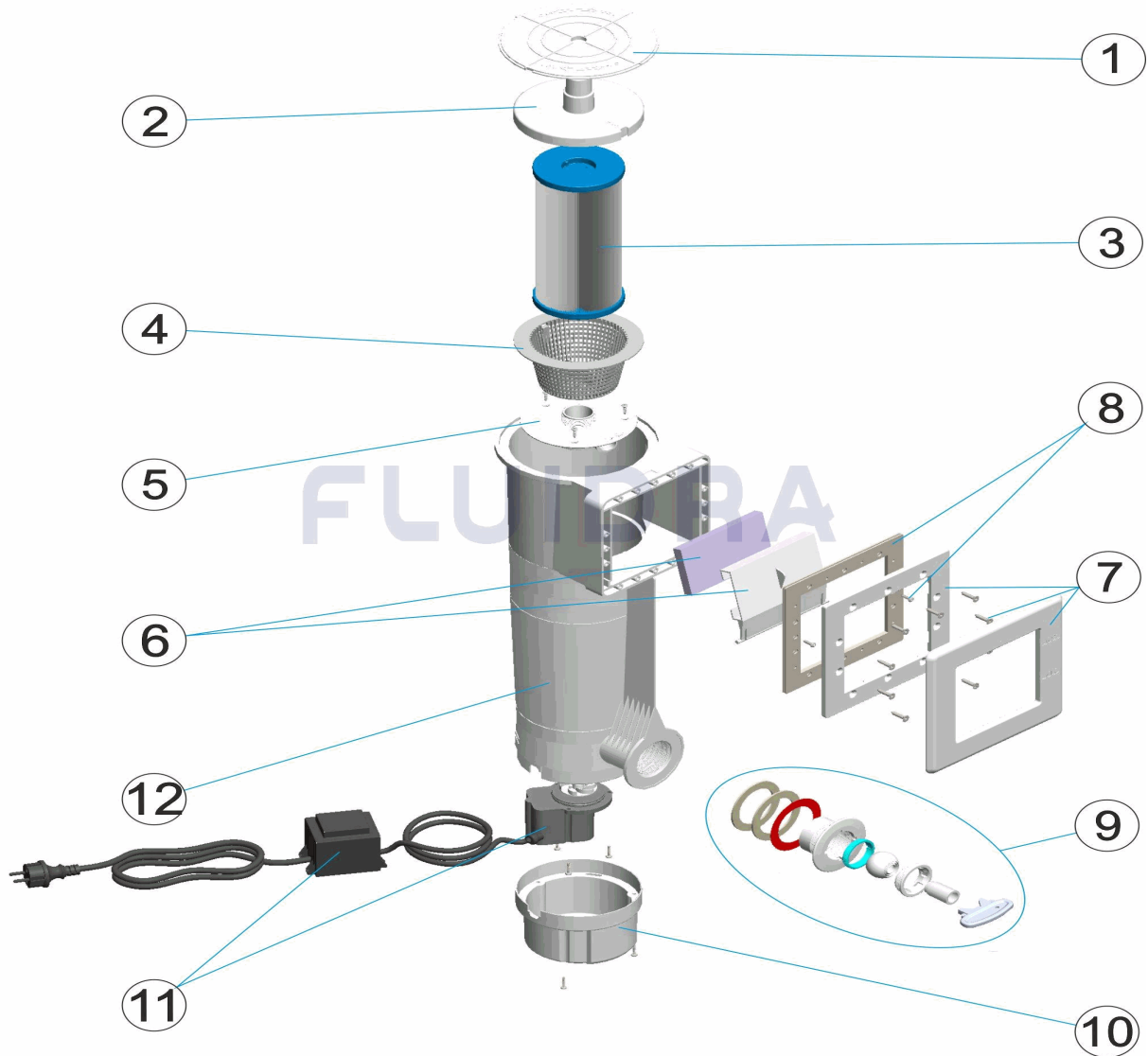


ENGLISH

POS	CODE	DESCRIPTION	QUANTITY	POS	CODE	DESCRIPTION	QUANTITY
1	4411030604	SKIMMER LID		7	4411030607	SKIMMER LID AND FRAME	
2	4411030603	SKIMMER BASKET FOR ABOVE GROUND		8	4411030305	SKIMMER GASKET	
3	4411030806	D. 112X245X1 1/4" BSP FILTER CARTRIDGE		9	4411030202	RETURN INLET	
4	4411030602	SKIMMER BASKET FOR ABOVE GROUND F		10	4411030203	MOTOR COVER	
5	4411030201	SKIMMER ADAPTER		11	4411030810	4000 L/H MOTOR UNIT (30889)	
6	4411030601	SKIMMER FLOATING FLAP		12	30889R0001	SKIMMER BODY	

CODICE **30889**

DESCRIZIONE: **SKIMMER PORTATILE 4000 L/H**

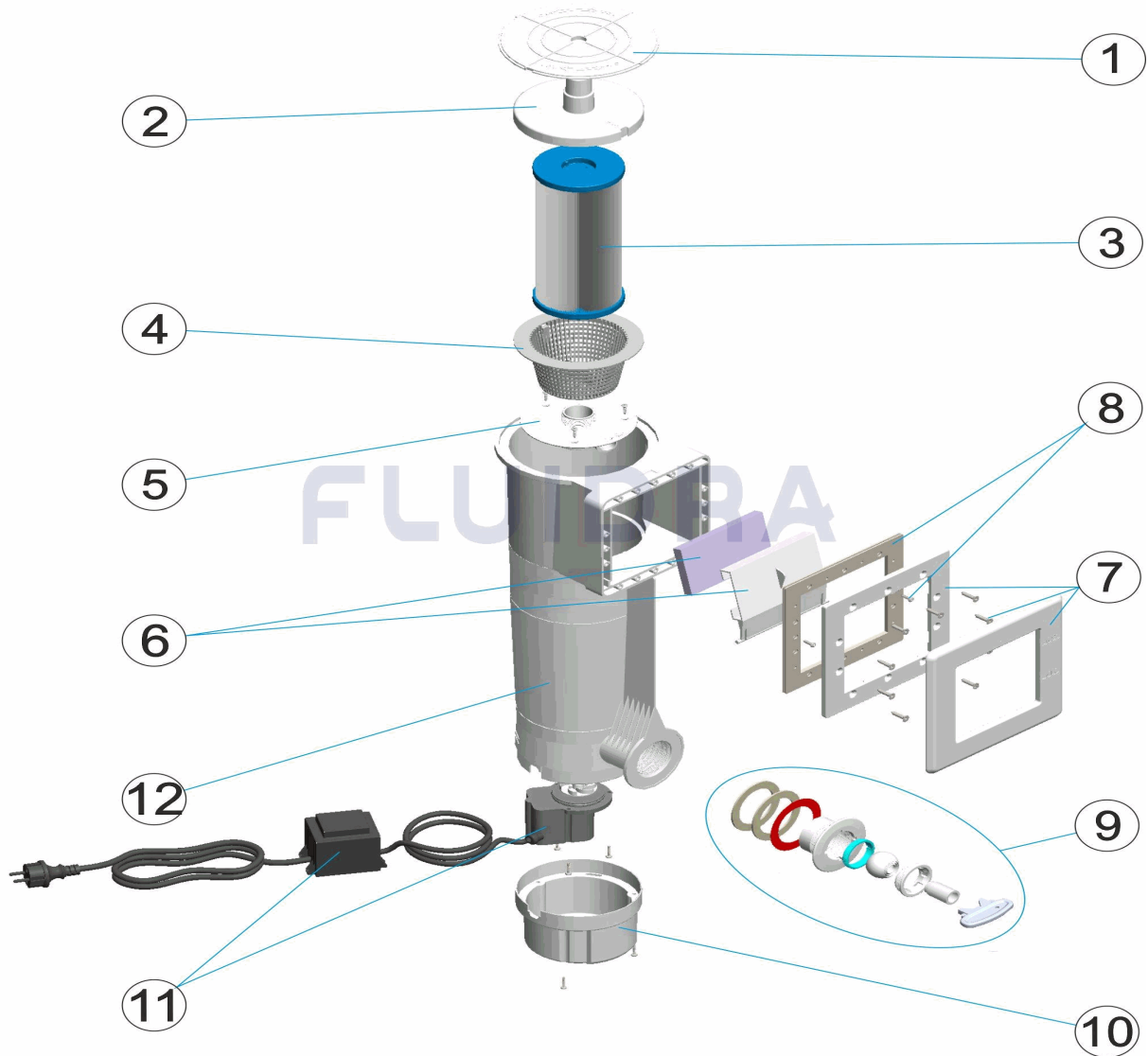


ITALIANO

POS	CODICE	DESCRIZIONE	QUANTITA'	POS	CODICE	DESCRIZIONE	QUANTITA'
1	4411030604	COPERCHIO SKIMMER		7	4411030607	COPERCHIO E CORNICE SKIMMER	
2	4411030603	COPERCHIO ASPIRAZIONE SKIMMER		8	4411030305	GUARNIZIONE SKIMMER	
3	4411030806	CARTUCCIA FILTRO D. 112X245X1 1/4" BSI		9	4411030202	BOCHETTA DI IMPULSIONE	
4	4411030602	CESTELLO SKIMMER PISCINA FUORI TERF		10	4411030203	COPERCHIO MOTORE	
5	4411030201	ADATTATORE SKIMMER		11	4411030810	COMPLESSO MOTORE 4000 L/H (30889)	
6	4411030601	SERRANDA GALLEGGIANTE SKIMMER		12	30889R0001	CORPO SKIMMER	

CODE **30889**

BESCHREIBUNG: **SKIMMER TASCHE 4000 L/H.**

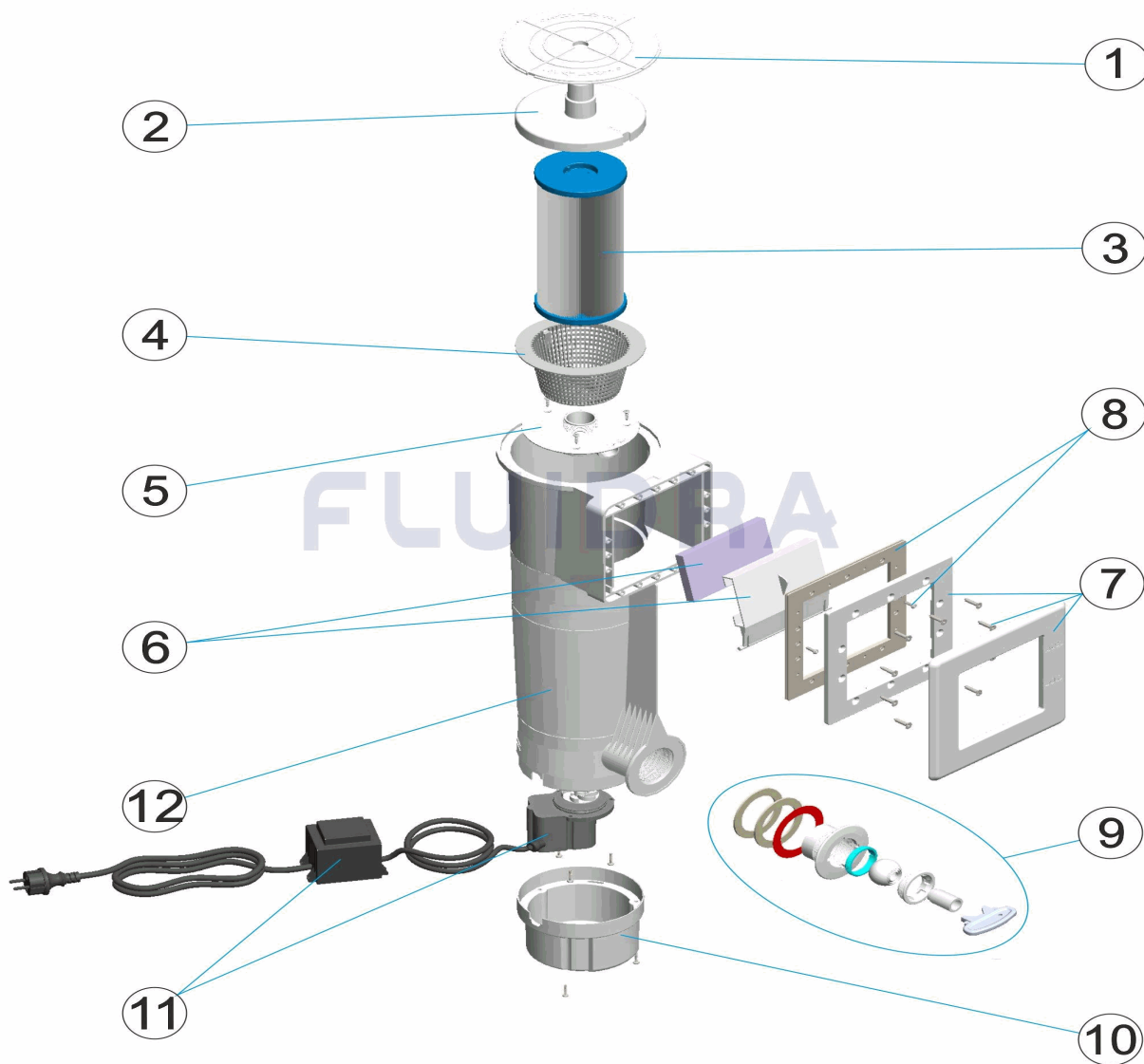


DEUTSCH

POS	CODE	BESCHREIBUNG	MENGE	POS	CODE	BESCHREIBUNG	MENGE
1	4411030604	SKIMMERDECKEL		7	4411030607	ABDECKUNG UND RAHMEN SKIMMER	
2	4411030603	ABDECKUNG SKIMMER		8	4411030305	DICHTUNG SKIMMER	
3	4411030806	FILTERKARTUSCHE D. 112 X 245 X 1 1/4" B		9	4411030202	SET SKIMMERDÜSE BEUTEL	
4	4411030602	SKIMMERKORB AUFSTELLBECKEN		10	4411030203	MOTORABDECKUNG SKIMFILTER BEUTEL	
5	4411030201	SKIMMERADAPTER		11	4411030810	SET MOTOR 4000 L/H (30899)	
6	4411030601	KLAPPE SCHWIMMER SKIMMER		12	30889R0001	GEHÄUSE SKIMMER BEUTEL	

CODIGO **30889**

DESCRIÇÃO: **SKIMMER MOCHILA 4000 L/H.**



PORTUGUES

POS	CODIGO	DESCRIÇÃO	JANTIDADE	POS	CODIGO	DESCRIÇÃO	JANTIDADE
1	4411030604	TAMPA SKIMMER		7	4411030607	TAMPA E MARCO SKIMMER	
2	4411030603	TAMPA ASPIRAÇÃO SKIMMER		8	4411030305	JUNTA SKIMMER	
3	4411030806	CARTUCHO FILTRO D. 112X245X1 1/4" BSf		9	4411030202	BOCA DE IMPULSAO	
4	4411030602	CESTO SKIMMER PISCINA ELEVADA		10	4411030203	TAMPA MOTOR	
5	4411030201	ADAPTADOR SKIMMER		11	4411030810	CONJUNTO MOTOR 4000 L/H (30899)	
6	4411030601	COMPORTA FLUTUADOR SKIMMER		12	30889R0001	CUERPO SKIMMER	