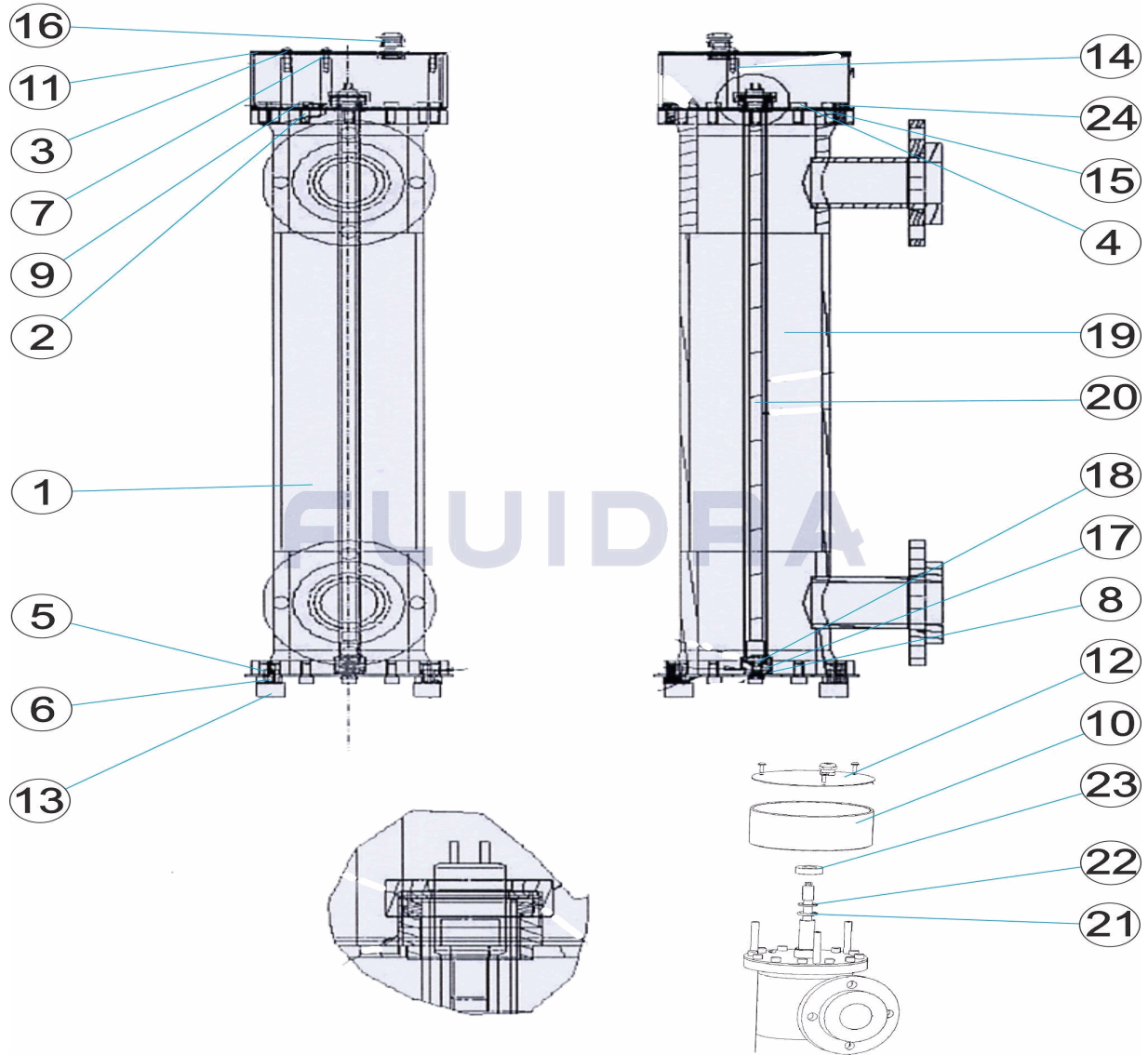


CODIGO 32691, 32692, 32693, 32694, 32695, 32696

DESCRIPCION: SISTEMA ULTRAVIOLETA CLAIRUV LP PE

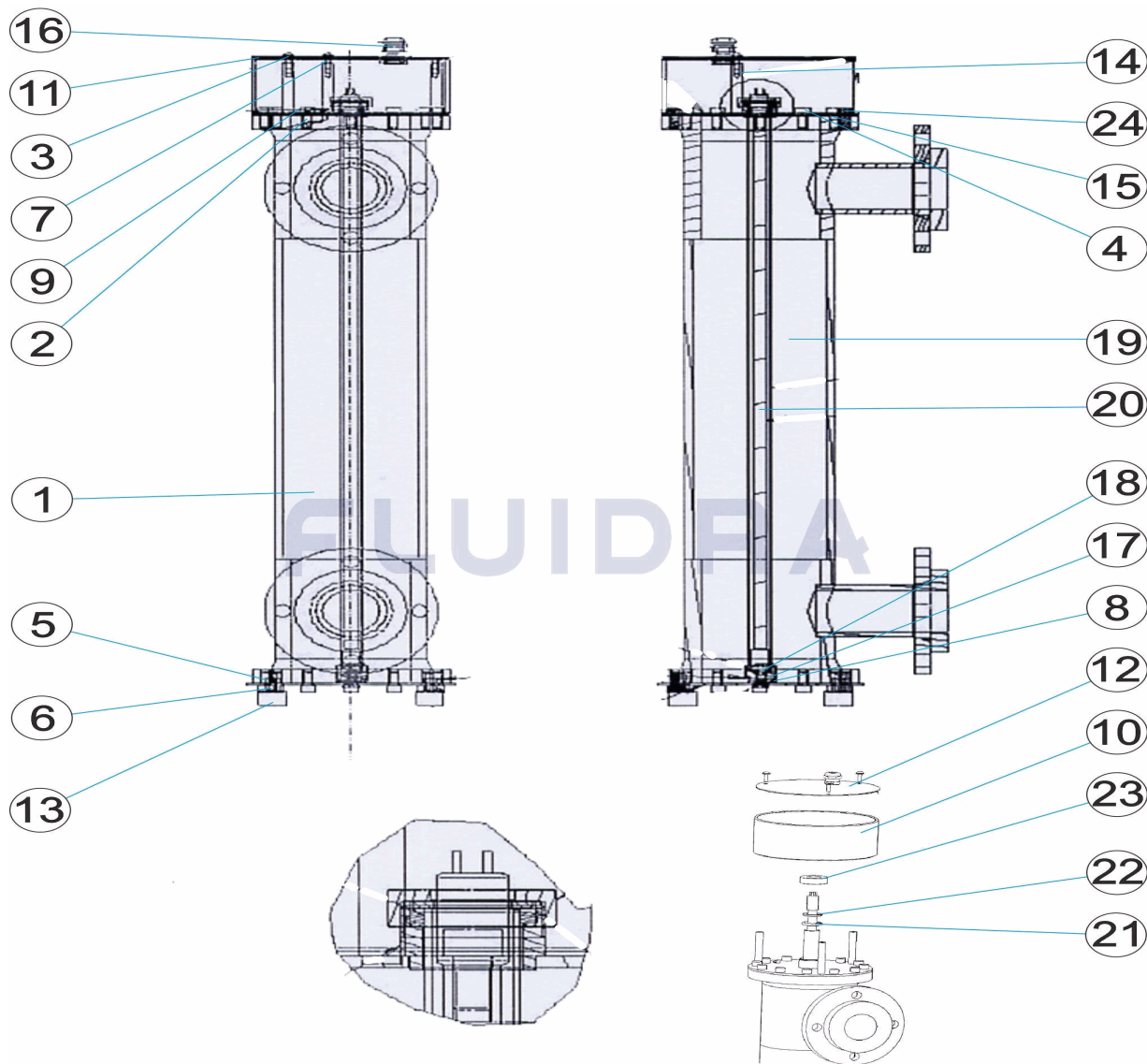


ESPAÑOL

POS	CODIGO	DESCRIPCION	CANTIDAD	POS	CODIGO	DESCRIPCION	CANTIDAD
1	32691R0001	CUERPO		13	32691R0013	TOPES ELASTICOS	
2	32691R0002	TORNILLO BHC M4X10		14	32691R0014	TOPE EN INOX	
3	32691R0003	TORNILLO BHC M6X20		15	32691R0015	TAPA CUERPO	
4	32691R0004	TORNILLO CHC M10X20 (MENOS 4 LAMP.)		16	32691R0016	PRENSAESTOPAS	
4	32696R0004	TORNILLO CHC M10X35		17	32691R0017	RESORTE	
5	32691R0005	TUERCA NYLSTOP M8		18	32691R0018	GUIA PARA TUBOS DE CUARZO	
6	32691R0006	TUERCA M8		19	32687R020	TUBO CUARZO UV30	
7	32691R0007	ARANDELA P6		20	32687R010	LAMPARA UV-30	
8	32685R0006	TAPON PURGA		21	35963R0007	JUNTA	
9	32691R0009	TERMINAL		22	32685R0015	ARANDELA	
10	32691R0010	CAJA		23	32685R0016	TUERCA	
11	32691R0011	TAPA CAJA		24	32691R0025	JUNTA	
12	32691R0012	TAPA FONDO					

CODE 32691, 32692, 32693, 32694, 32695, 32696

DESCRIPTION: SYSTÈME ULTRAVIOLET CLAIRUV LP PE

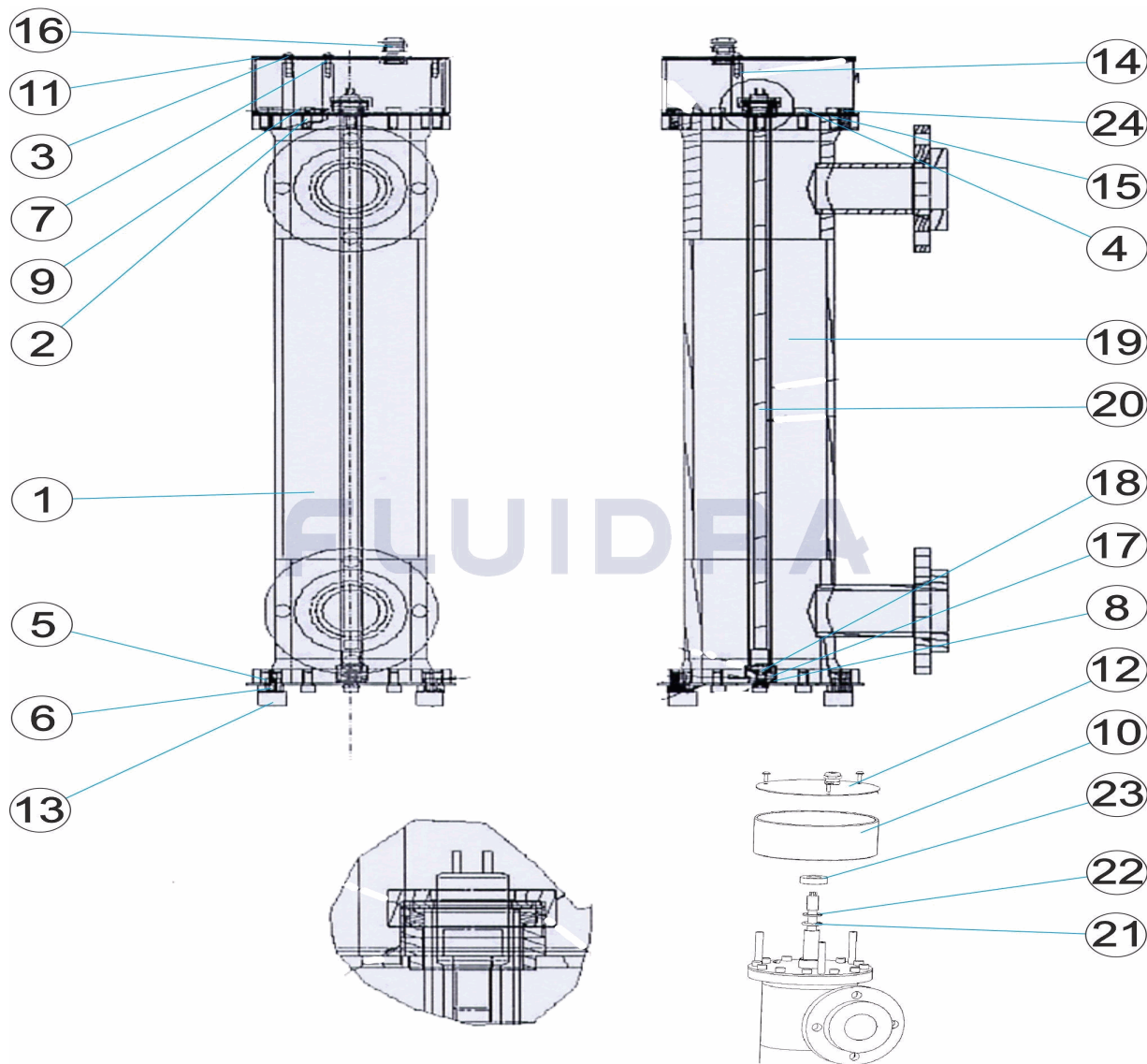


FRANCAIS

POS	CODE	DESCRIPTION	QUANTITE	POS	CODE	DESCRIPTION	QUANTITE
1	32691R0001	CORPS		13	32691R0013	BUTÉES ÉLASTIQUES	
2	32691R0002	VIS BHC M4X10		14	32691R0014	BUTÉE EN INOX	
3	32691R0003	VIS BHC M6X20		15	32691R0015	COUVERCLE CORPS	
4	32691R0004	VIS CHC M10X20 (MOINS 4 LAMP.)		16	32691R0016	PRESSE-ÉTOUPES	
4	32696R0004	VIS CHC M10X35		17	32691R0017	RESSORT	
5	32691R0005	ÉCROU NYLSTOP M8		18	32691R0018	GUIDE POUR TUBES EN QUARTZ	
6	32691R0006	ÉCROU M8		19	32687R020	QUARTZ UV30	
7	32691R0007	RONDELLE P6		20	32687R010	LAMPE UV30	
8	32685R0006	BOUCHON PURGE		21	35963R0007	JOINT	
9	32691R0009	TERMINAL		22	32685R0015	RONDELLE	
10	32691R0010	CAISSON		23	32685R0016	ECROU	
11	32691R0011	COUVERCLE CAISSON		24	32691R0025	JOINT	
12	32691R0012	COUVERCLE FOND					

CODE **32691, 32692, 32693, 32694, 32695, 32696**

DESCRIPTION: **ULTRAVIOLET SYSTEM CLAIRUV LP PE**

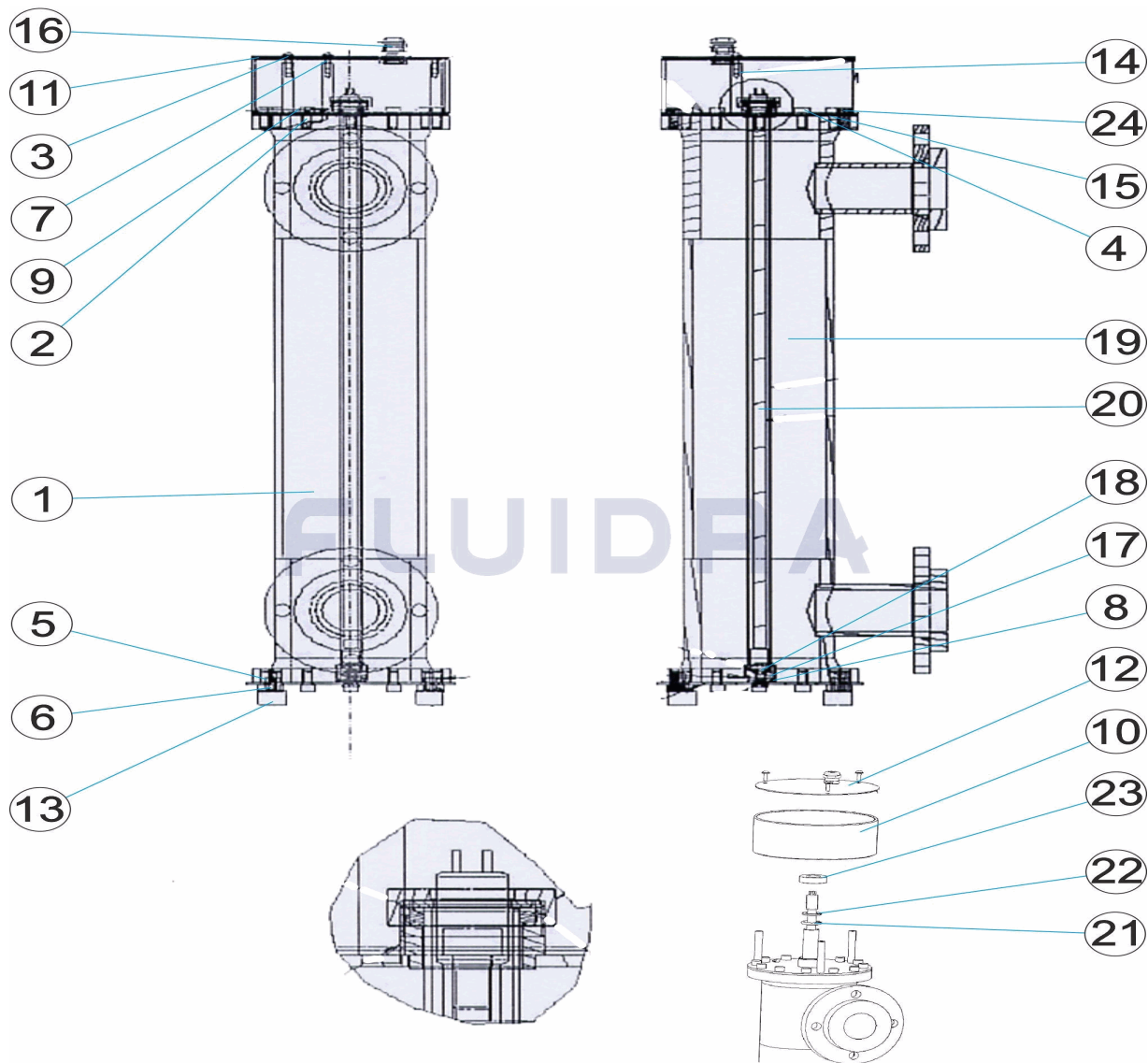


ENGLISH

POS	CODE	DESCRIPTION	QUANTITY	POS	CODE	DESCRIPTION	QUANTITY
1	32691R0001	BODY		13	32691R0013	ELASTIC STOPS	
2	32691R0002	BHC SCREW M4X10		14	32691R0014	STAINLESS STEEL STOP	
3	32691R0003	BHC SCREW M6X20		15	32691R0015	BODY COVER	
4	32691R0004	CHC SCREW M10X20 (4 LAMP.NOT INCL)		16	32691R0016	CYLINDER SEAL	
4	32696R0004	CHC SCREW M10X35		17	32691R0017	SHUTTER	
5	32691R0005	NYLSTOP M8 SCREW		18	32691R0018	GUIDE FOR QUARTZ TUBES	
6	32691R0006	M8 NUT		19	32687R020	UV30 QUARTZ TUBE	
7	32691R0007	P6 WASHER		20	32687R010	LAMPELC UV-30	
8	32685R0006	DRAIN PLUG		21	35963R0007	SEAL	
9	32691R0009	TERMINAL		22	32685R0015	WASHER	
10	32691R0010	BOX		23	32685R0016	NUT	
11	32691R0011	BOX COVER		24	32691R0025	JOINT	
12	32691R0012	BOTTOM COVER					

CODICE 32691, 32692, 32693, 32694, 32695, 32696

DESCRIZIONE: SISTEMA ULTRAVIOLETTI CLAIR-UV LP PE

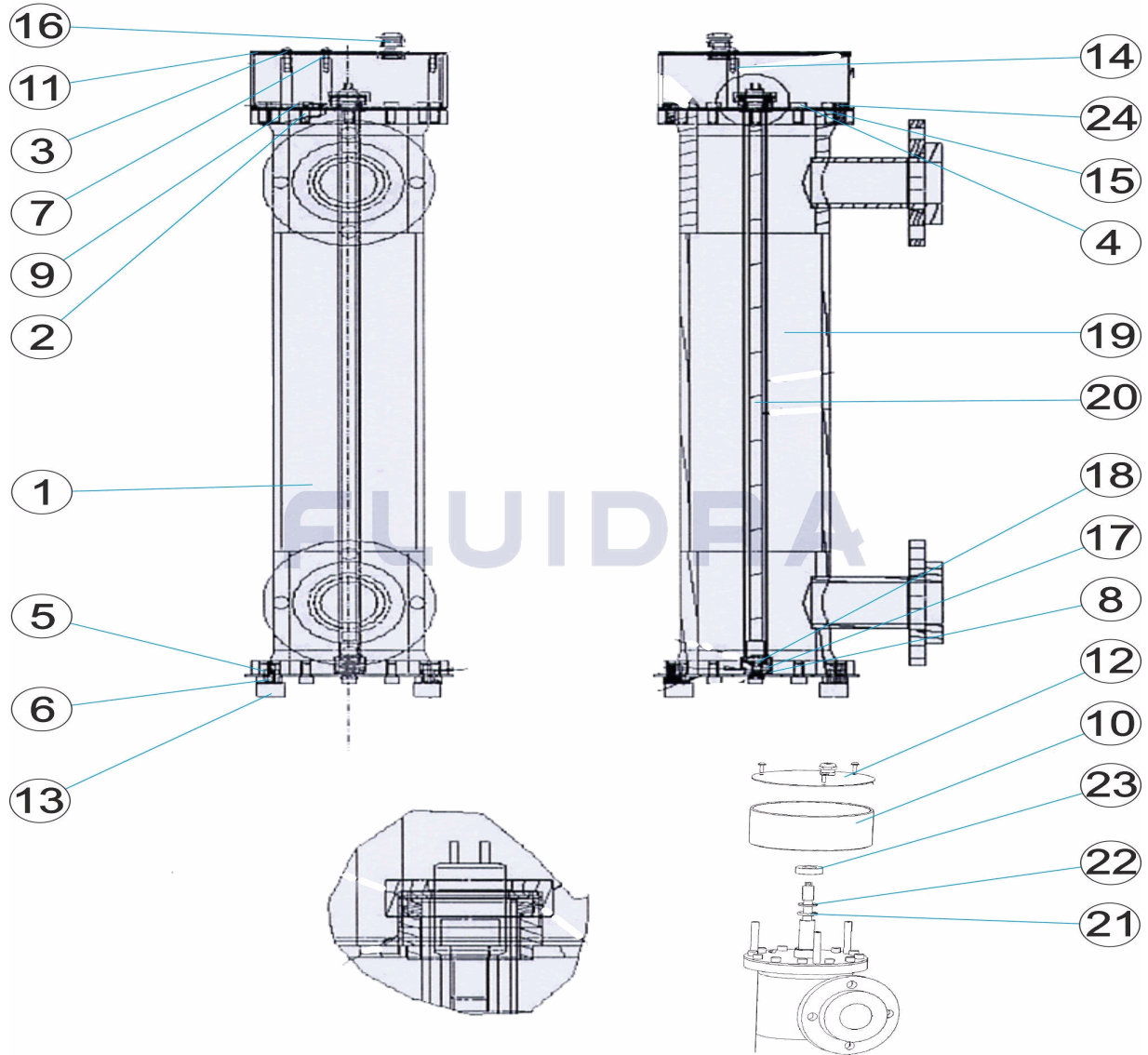


ITALIANO

POS	CODICE	DESCRIZIONE	QUANTITA'	POS	CODICE	DESCRIZIONE	QUANTITA'
1	32691R0001	CORPO		13	32691R0013	BLOCCHI ELASTICI	
2	32691R0002	VITE BHC M4X10		14	32691R0014	BLOCCO IN INOX	
3	32691R0003	VITE BHC M6X20		15	32691R0015	COPERTURA CUERPO	
4	32691R0004	VITE CHC M10X20 (MENO 4 LAMP.)		16	32691R0016	PREMISTOPPE	
4	32696R0004	VITE CHC M10X35		17	32691R0017	MOLLA	
5	32691R0005	DADO NYLSTOP M8		18	32691R0018	GUIDA PER TUBI IN QUARZO	
6	32691R0006	DADO M8		19	32687R020	TUBO QUARZO UV30	
7	32691R0007	RONDELLA P6		20	32687R010	LAMPADA UV-30	
8	32685R0006	TAPPO SPURGO		21	35963R0007	GUARNIZIONE	
9	32691R0009	TERMINALE		22	32685R0015	RONDELLA	
10	32691R0010	SCATOLA		23	32685R0016	DADO	
11	32691R0011	COPERTURA CASSA		24	32691R0025	GIUNTURA	
12	32691R0012	COPERTURA FONDO					

CODE **32691, 32692, 32693, 32694, 32695, 32696**

BESCHREIBUNG: **ULTRAVIOLETTSYSTEM CLAIRUV LP PE**

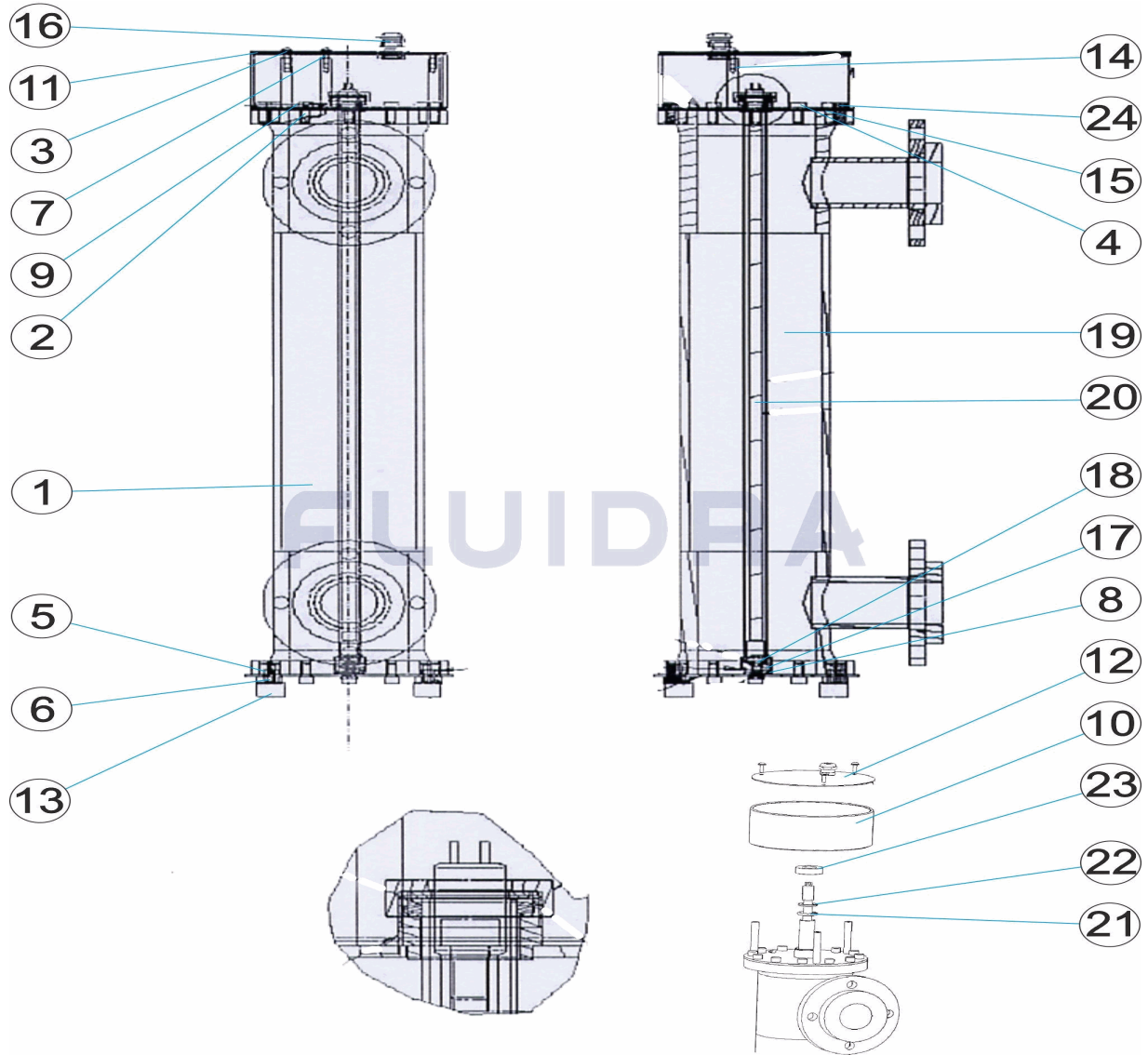


DEUTSCH

POS	CODE	BESCHREIBUNG	MENGE	POS	CODE	BESCHREIBUNG	MENGE
1	32691R0001	GEHÄUSE		13	32691R0013	GUMMIABSCHLÜSSE	
2	32691R0002	SCHRAUBE BHC M4 X 10		14	32691R0014	ABSCHLUSS EDELSTAHL	
3	32691R0003	SCHRAUBE BHC M6 X 20		15	32691R0015	ABDECKUNG GEHÄUSE	
4	32691R0004	SCHRAUBE CHC M10 X 20 (UNTER 4 LAMP		16	32691R0016	QUETSCHVERSCHRAUBUNG	
4	32696R0004	SCHRAUBE CHC M10 X 35		17	32691R0017	FEDER	
5	32691R0005	MUTTER NYLSTOP M8		18	32691R0018	FÜHRUNG FÜR QUARZRÖHREN	
6	32691R0006	MUTTER M8		19	32687R020	QUARZRÖHRE UV30	
7	32691R0007	UNTERLEGSCHIEBE P6		20	32687R010	LAMPE UV-30	
8	32685R0006	ABLASSSTOPFEN		21	35963R0007	DICHTUNG	
9	32691R0009	ANSCHLUSS		22	32685R0015	UNTERLEGSCHIEBE	
10	32691R0010	GEHÄUSE		23	32685R0016	MUTTER	
11	32691R0011	ABDECKUNG GEHÄUSE		24	32691R0025	DICHTUNG	
12	32691R0012	ABDECKUNG BASIS					

CODIGO 32691, 32692, 32693, 32694, 32695, 32696

DESCRIÇÃO: SISTEMA ULTRAVIOLETA CLAIRUV LP PE



PORTUGUES

POS	CODIGO	DESCRIÇÃO	JANTIDADE	POS	CODIGO	DESCRIÇÃO	JANTIDADE
1	32691R0001	CORPO		13	32691R0013	BATENTES ELÁSTICOS	
2	32691R0002	PARAFUSO BHC M4 X 10		14	32691R0014	BATENTE EM INOX	
3	32691R0003	PARAFUSO BHC M6 X 20		15	32691R0015	TAMPA CORPO	
4	32691R0004	PARAFUSO CHC M10 X 20 (MENOS 4 LAMF		16	32691R0016	PRENSA-ESTOPAS	
4	32696R0004	PARAFUSO CHC M10 X 35		17	32691R0017	MOLA	
5	32691R0005	PORCA NYLSTOP M8		18	32691R0018	GUIA PARA TUBOS DE QUARTZO	
6	32691R0006	PORCA M8		19	32687R020	TUBO QUARTZO UV30	
7	32691R0007	ALHETA P6		20	32687R010	LÂMPADA UV-30	
8	32685R0006	TAMPÃO PURGA		21	35963R0007	JUNTA	
9	32691R0009	TERMINAL		22	32685R0015	ALHETA	
10	32691R0010	CAIXA		23	32685R0016	PORCA	
11	32691R0011	TAMPA CAIXA		24	32691R0025	JUNTA	
12	32691R0012	TAMPA FUNDO					