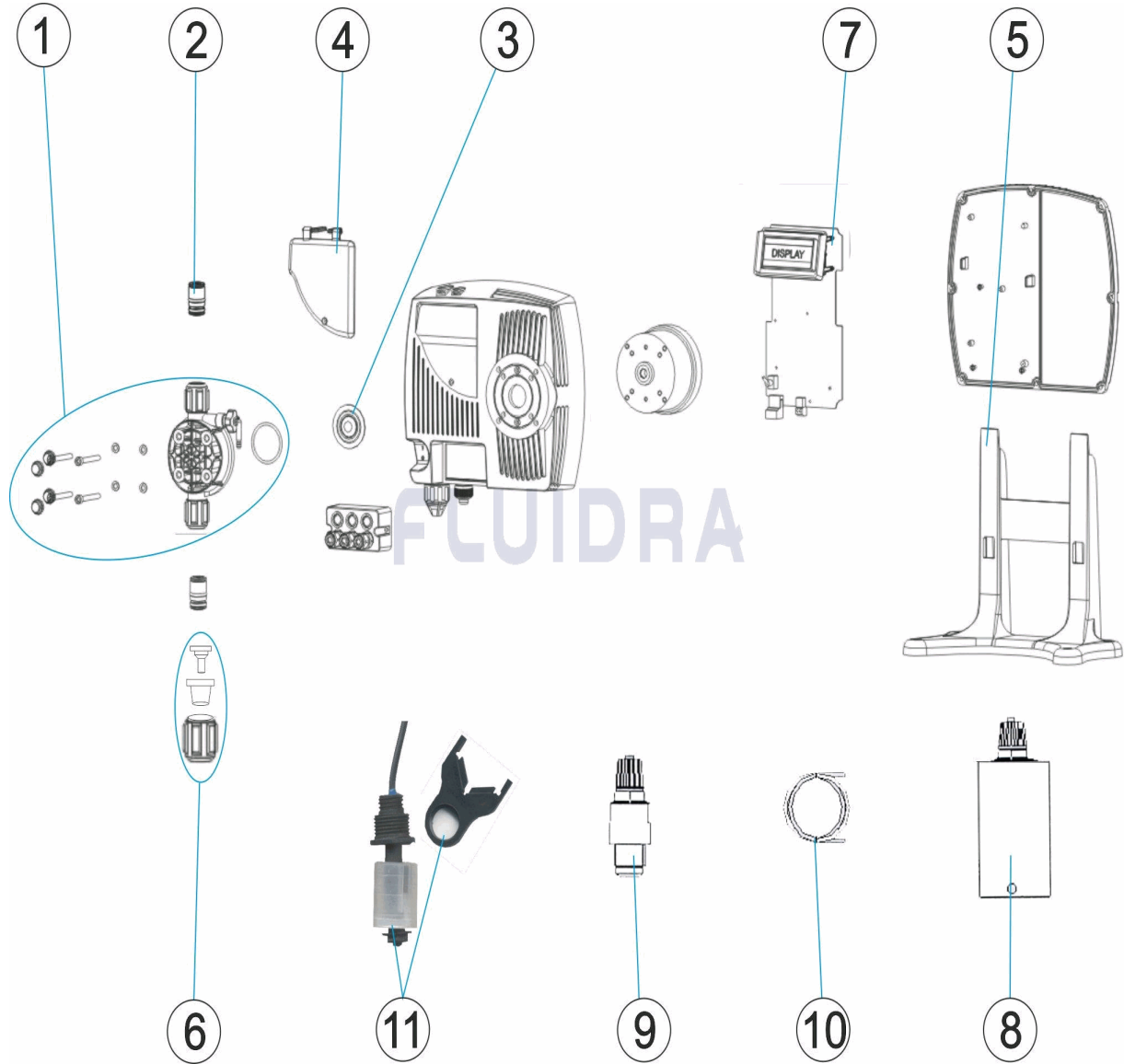


CODIGO **36010, 36011, 36012**

DESCRIPCION: **BOMBA OPTIMA DIGITAL PROPORCIONAL VOLUMETRICA**



**ESPAÑOL**

POS	CODIGO	DESCRIPCION	CANTIDAD	POS	CODIGO	DESCRIPCION	CANTIDAD
1	* 36007R0004	CABEZAL PVDF. FPM. BOLAS CERAMICA 5		7	* 36011R0012	CIRCUITO DIGITAL 10 L/H.	
1	* 36009R0001	CABEZAL PVC. FPM. BOLAS CERAMICA 20		7	* 36012R0012	CIRCUITO DIGITAL 20 L/H.	
2	* 36007R0007	VALVULA PVDF-T/FPM 5-10 L/H.		8	* 36007R0016	FILTRO DE PIE 4/6MM PVC/FPM	
2	* 36009R0007	VALVULA PVDF-T/FPM 20 L/H.		8	* 36007R0019	FILTRO DE PIE 8/12MM PVC/FPM	
3	* 36007R0009	MEMBRANA 5-10 L/H.		9	* 36007R0013	RACORD DE INYECCION 4/6MM PVC/FPM	
3	* 57135R0001	DIAFRAGMA		9	* 36009R0010	RACORD DE INYECCION 8/12MM PVC/FPM	
4	36007R0010	TAPA		10	* 27883R0007	TUBO ASP. PVC 4X6 LONG.100M	
4	57136R0002	TECLADO		10	* 36009R0013	TUBO ASPIRACION PVC. 8X12 LONGITUD 1	
5	36830	PIE SOPORTE		10	* 27883R0008	TUBO IMP. PE 4X6 LONG.100M	
6	* 36007R0021	CONEXION PVC B-C 4/6MM (10 UTS)		10	* 36009R0014	TUBO IMPULSION PEAD 8X12 LONGITUD 11	
6	* 36007R0020	CONEXION PVC D 8/12MM (10 UTS)		11	51454	SONDA NIVEL BIPOLAR CON FIJADOR	
7	* 36010R0012	CIRCUITO DIGITAL 5 L/H.					

**CODIGO 36010, 36011, 36012**

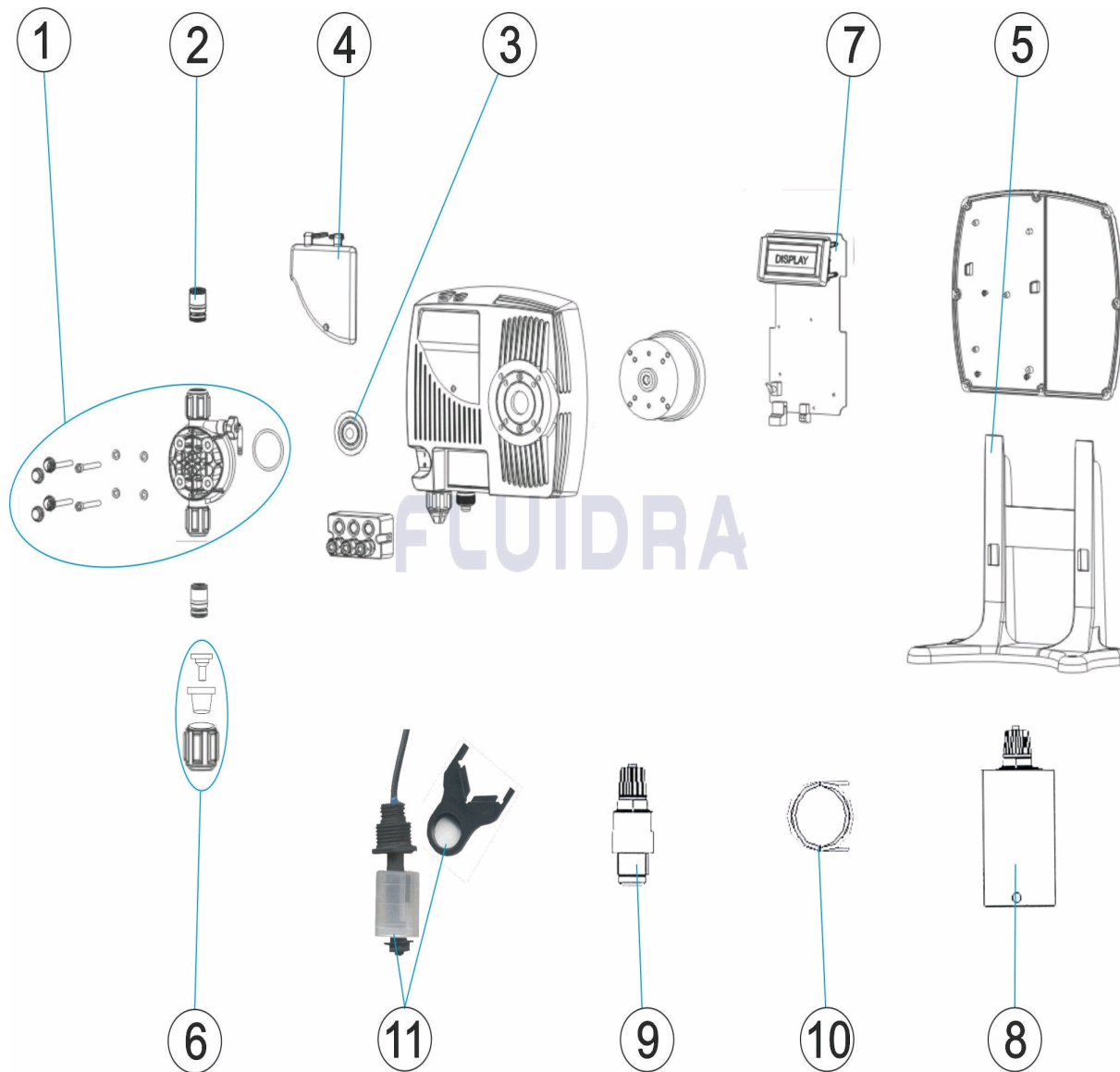
**DESCRIPCION: BOMBA OPTIMA DIGITAL PROPORCIONAL VOLUMETRICA**

## OBSERVACIONES

POS	CODIGO	OBSERVACIONES
1	* 36007R0004	PARA: 36010, 36011
1	* 36009R0001	PARA: 36012
2	* 36007R0007	PARA: 36010, 36011
2	* 36009R0007	PARA: 36012
3	* 36007R0009	PARA: 36010, 36011
3	* 57135R0001	PARA: 36012
6	* 36007R0021	PARA: 36010, 36011
6	* 36007R0020	PARA: 36012
7	* 36010R0012	PARA: 36010
7	* 36011R0012	PARA: 36011
7	* 36012R0012	PARA: 36012
8	* 36007R0016	PARA: 36010, 36011
8	* 36007R0019	PARA: 36012
9	* 36007R0013	PARA: 36010, 36011
9	* 36009R0010	PARA: 36012
10	* 27883R0007	PARA: 36010, 36011
10	* 36009R0013	PARA: 36012
10	* 27883R0008	PARA: 36010, 36011
10	* 36009R0014	PARA: 36012

CODE 36010, 36011, 36012

DESCRIPTION: POMPE OPTIMA NUMÉRIQUE PROPORTIONNELLE VOLUMÉTRIQUE



FRANCAIS

POS	CODE	DESCRIPTION	QUANTITE	POS	CODE	DESCRIPTION	QUANTITE
1	* 36007R0004	TETE PVDF FPM BOISSEAUX CERAMIQUE		7	* 36011R0012	CIRCUIT DIGITAL 10 L/H	
1	* 36009R0001	TETE PVC FPM BOISSEAUX PIREX 20L/H		7	* 36012R0012	CIRCUIT DIGITAL 20 L/H	
2	* 36007R0007	VANNE PVDF-T/FPM 5-10L/H		8	* 36007R0016	FILTRE PIED 4/6MM PVC/FPM	
2	* 36009R0007	VANNE PVDF-T/FPM 20L/H		8	* 36007R0019	FILTRE PIED 8/12MM PVC/FPM	
3	* 36007R0009	MEMBRANE 5-10 L/H		9	* 36007R0013	RACCORD INJECTION 4/6MM PVC/FPM	
3	* 57135R0001	DIAFRAGMA		9	* 36009R0010	RACCORD INJECTION 8/12MM PVC/FPM	
4	36007R0010	COUVERCLE		10	* 27883R0007	TUBE ASP. PVC 4X6 L100M	
4	57136R0002	CLAVIER		10	* 36009R0013	TUYAU D'ASPIRATION PVC. 8X12 LONGUEL	
5	36830	PIED SUPPORT		10	* 27883R0008	TUBE IMP. PE 4X6 L100M	
6	* 36007R0021	CONNEXION PVC B-C 4/6MM (10 UTS)		10	* 36009R0014	TUYAU D'IMPULSION PEAD 8X12 LONGUEL	
6	* 36007R0020	CONNEXION PVC D 8/12MM (10 UTS)		11	51454	SONDE NIVEAU BIPOLAIRE AVEC FIXATEUI	
7	* 36010R0012	CIRCUIT DIGITAL 5 L/H					

CODE **36010, 36011, 36012**

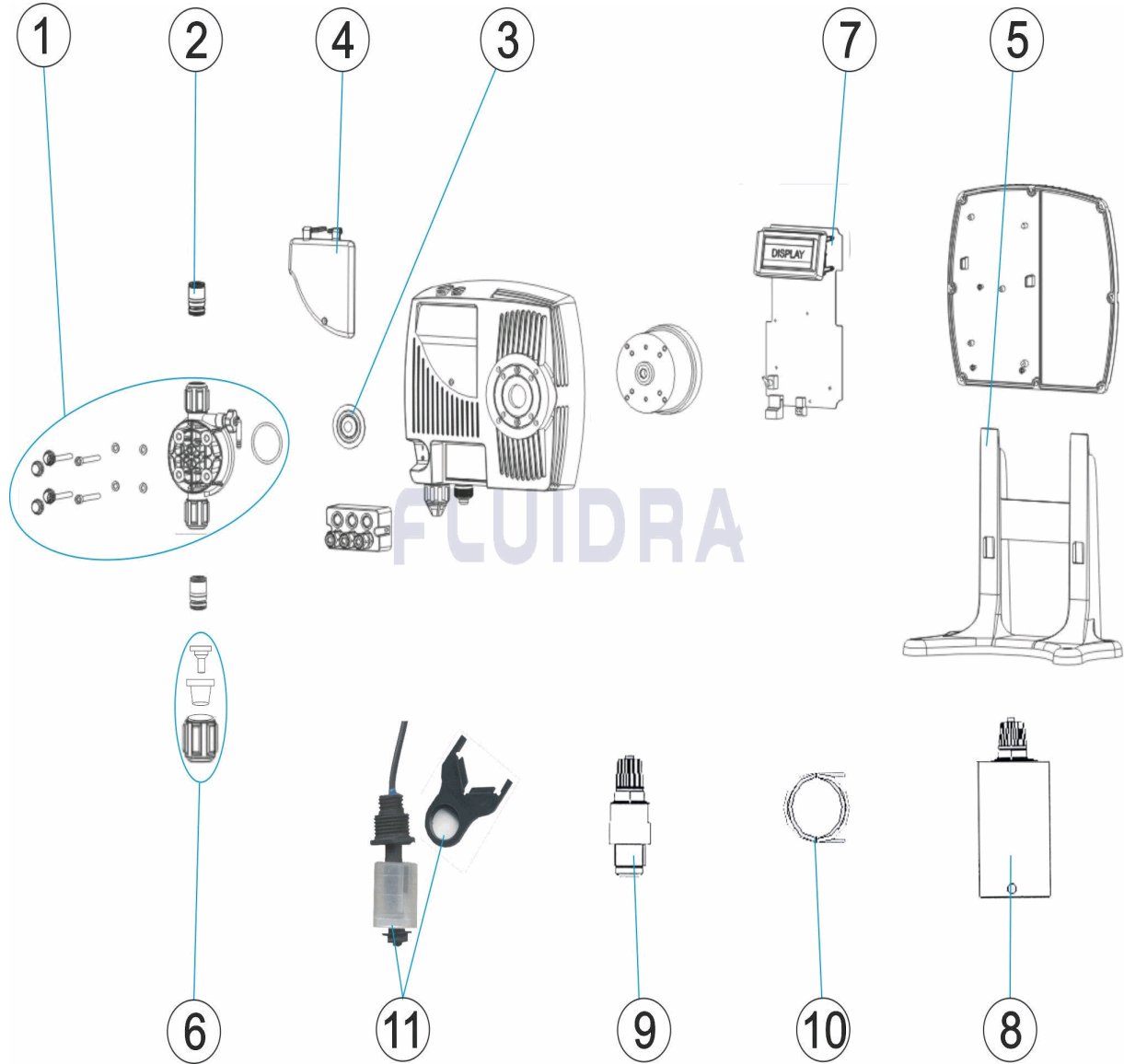
DESCRIPTION: **POMPE OPTIMA NUMÉRIQUE PROPORTIONNELLE VOLUMÉTRIQUE**

**OBSERVATIONS**

POS	CODE	OBSERVATIONS
1	* 36007R0004	POUR: 36010, 36011
1	* 36009R0001	POUR: 36012
2	* 36007R0007	POUR: 36010, 36011
2	* 36009R0007	POUR: 36012
3	* 36007R0009	POUR: 36010, 36011
3	* 57135R0001	POUR: 36012
6	* 36007R0021	POUR: 36010, 36011
6	* 36007R0020	POUR: 36012
7	* 36010R0012	POUR: 36010
7	* 36011R0012	POUR: 36011
7	* 36012R0012	POUR: 36012
8	* 36007R0016	POUR: 36010, 36011
8	* 36007R0019	POUR: 36012
9	* 36007R0013	POUR: 36010, 36011
9	* 36009R0010	POUR: 36012
10	* 27883R0007	POUR: 36010, 36011
10	* 36009R0013	POUR: 36012
10	* 27883R0008	POUR: 36010, 36011
10	* 36009R0014	POUR: 36012

CODE **36010, 36011, 36012**

DESCRIPTION: **OPTIMA DIGITAL PROPORTIONAL VOLUMETRIC PUMP**



**ENGLISH**

POS	CODE	DESCRIPTION	QUANTITY	POS	CODE	DESCRIPTION	QUANTITY
1	* 36007R0004	5-10 L/H CERAMIC BALLS. PVDF HEAD. FPM		7	* 36011R0012	10 L/H DIGITAL CIRCUIT	
1	* 36009R0001	20 L/H PYREX BALLS. PVC HEAD. FPM.		7	* 36012R0012	20 L/H DIGITAL CIRCUIT	
2	* 36007R0007	5-10 L/H PVDF-T/FPM VALVE		8	* 36007R0016	PVC/FPM 4/6MM BOTTOM FILTER	
2	* 36009R0007	20 L/H PVDF-T/FPM VALVE		8	* 36007R0019	PVC/FPM 8/12MM BOTTOM FILTER	
3	* 36007R0009	5-10 L/H MEMBRANE		9	* 36007R0013	INJECTION COUPLING 4/6MM PVC/FPM	
3	* 57135R0001	DIAPHRAGME		9	* 36009R0010	INJECTION COUPLING 8/12MM PVC/FPM	
4	36007R0010	COVER		10	* 27883R0007	4X6 LENG.100M PVC SUCTION PIPE	
4	57136R0002	KEYPAD		10	* 36009R0013	100 METRES 8X12 LENGTH PVC SUCTION I	
5	36830	SUPPORT FOOT		10	* 27883R0008	4X6 LENG.100M PE RETURN PIPE	
6	* 36007R0021	PVC CONNECTION B-C 4/6MM (10 UTS)		10	* 36009R0014	100 METRES 8X12 LENGTH PEAD RETURN	
6	* 36007R0020	PVC CONNECTION D 8/12MM (10 UTS)		11	51454	2-POLE LEVEL PROBE WITH FIXING	
7	* 36010R0012	5 L/H DIGITAL CIRCUIT					

CODE **36010, 36011, 36012**

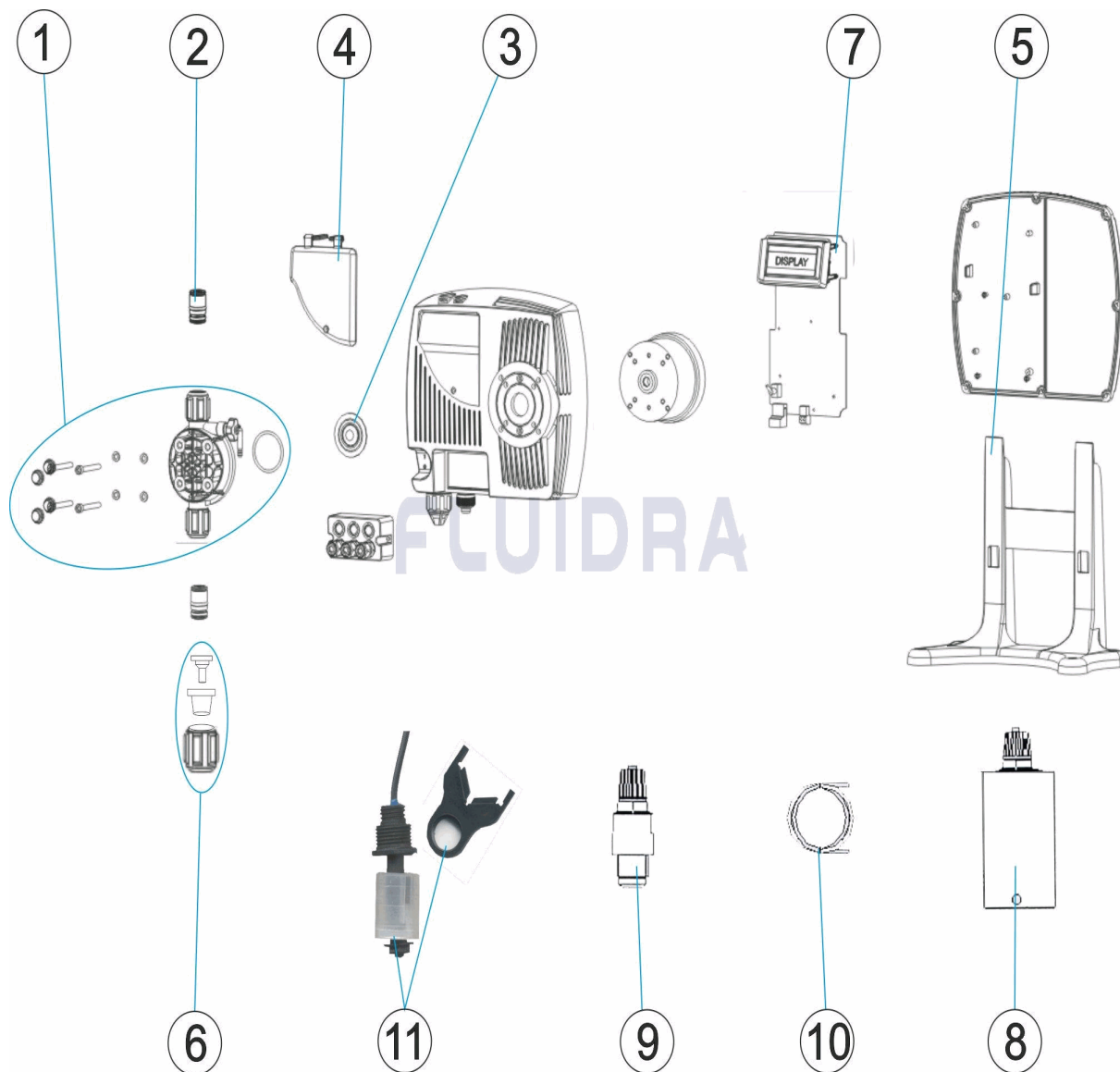
DESCRIPTION: **OPTIMA DIGITAL PROPORTIONAL VOLUMETRIC PUMP**

## OBSERVATIONS

POS	CODE	OBSERVATIONS
1	* 36007R0004	FOR: 36010, 36011
1	* 36009R0001	FOR: 36012
2	* 36007R0007	FOR: 36010, 36011
2	* 36009R0007	FOR: 36012
3	* 36007R0009	FOR: 36010, 36011
3	* 57135R0001	FOR: 36012
6	* 36007R0021	FOR: 36010, 36011
6	* 36007R0020	FOR: 36012
7	* 36010R0012	FOR: 36010
7	* 36011R0012	FOR: 36011
7	* 36012R0012	FOR: 36012
8	* 36007R0016	FOR: 36010, 36011
8	* 36007R0019	FOR: 36012
9	* 36007R0013	FOR: 36010, 36011
9	* 36009R0010	FOR: 36012
10	* 27883R0007	FOR: 36010, 36011
10	* 36009R0013	FOR: 36012
10	* 27883R0008	FOR: 36010, 36011
10	* 36009R0014	FOR: 36012

CODICE 36010, 36011, 36012

DESCRIZIONE: POMPA OPTIMA DIGITALE PROPORZIONALE VOLUMETRICA



ITALIANO

POS	CODICE	DESCRIZIONE	QUANTITA'	POS	CODICE	DESCRIZIONE	QUANTITA'
1	* 36007R0004	TESTINA PVDF. FPM. SFERE CERAMICA 5-		7	* 36011R0012	CIRCUITO DIGITALE 10 L/H.	
1	* 36009R0001	TESTINA PVC. FPM. SFERE PIREX 20 L/H.		7	* 36012R0012	CIRCUITO DIGITALE 20 L/H.	
2	* 36007R0007	VALVOLA PVDF-T/FPM 5-10 L/H.		8	* 36007R0016	FILTRO ASPIRAZIONE 4/6MM PVC/FPM	
2	* 36009R0007	VALVOLA PVDF-T/FPM 20 L/H.		8	* 36007R0019	FILTRO ASPIRAZIONE 8/12MM PVC/FPM	
3	* 36007R0009	MEMBRANA 5-10 L/H.		9	* 36007R0013	RACCORDO DI INIEZIONE 4/6MM PVC/FPM	
3	* 57135R0001	DIAPHRAGM		9	* 36009R0010	RACCORDO DI INIEZIONE 8/12MM PVC/FPM	
4	36007R0010	COPERCHIO		10	* 27883R0007	TUBO ASPIRAZIONE PVC 4X6 L 100M	
4	57136R0002	PULSANTIERA		10	* 36009R0013	TUBO ASPIRAZIONE PVC. 8X12 LUNGHEZZ	
5	36830	PIEDE SUPPORTO		10	* 27883R0008	TUBO MANDATA PE 4X6 L 100M	
6	* 36007R0021	COLLEGAMENTO PVC B-C 4/6MM (10 UTS)		10	* 36009R0014	TUBO IMPULSIONE PEAD 8X12 LUNGHEZZ	
6	* 36007R0020	COLLEGAMENTO PVC D 8/12MM (10 UTS)		11	51454	SONDA LIVELLO BIPOLARE CON FISSANTE	
7	* 36010R0012	CIRCUITO DIGITALE 5 L/H.					

CODICE **36010, 36011, 36012**

DESCRIZIONE: **POMPA OPTIMA DIGITALE PROPORZIONALE VOLUMETRICA**

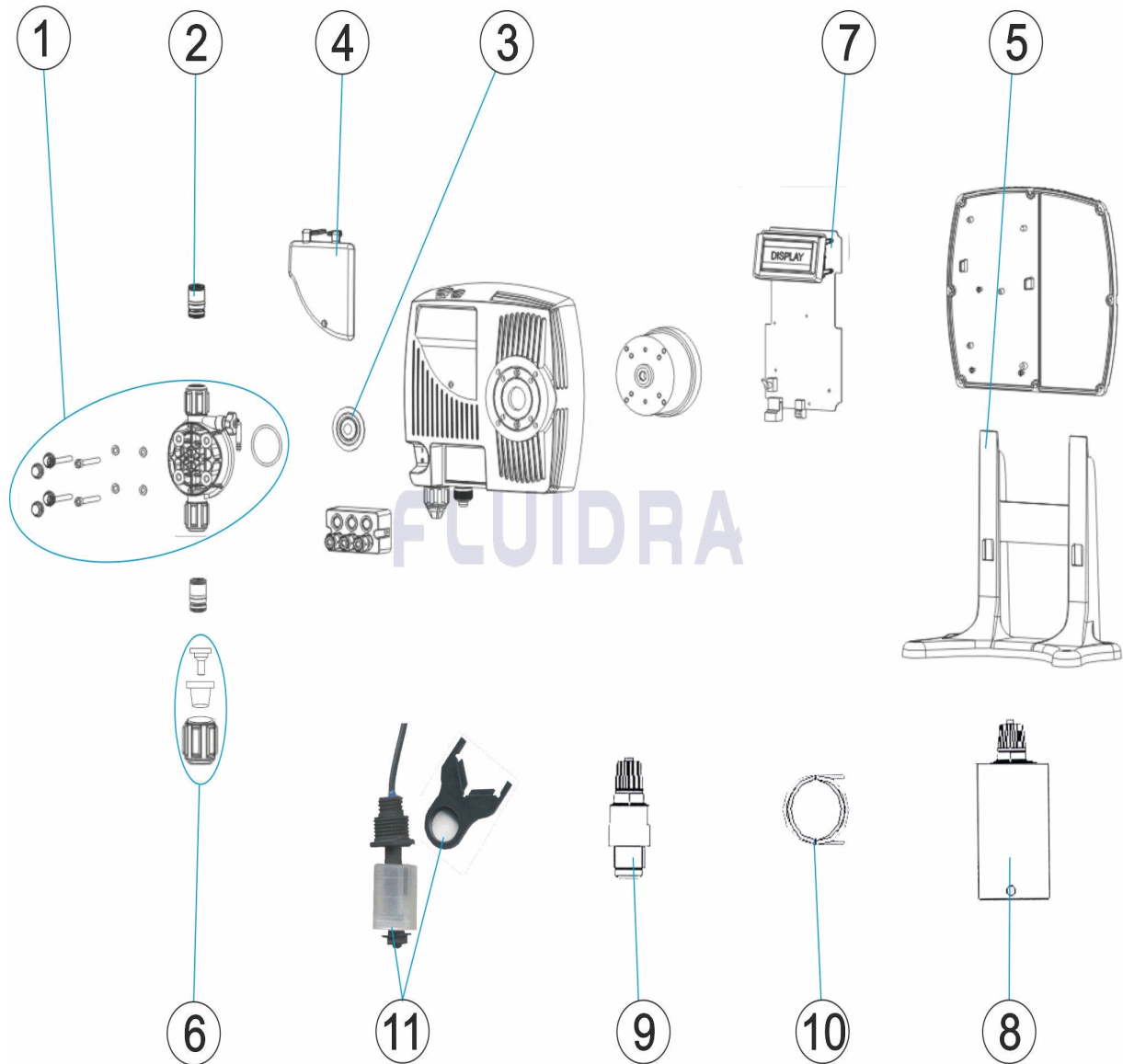
## OSSERVAZIONI

POS	CODICE	OSSERVAZIONI
1	* 36007R0004	PER: 36010, 36011
1	* 36009R0001	PER: 36012
2	* 36007R0007	PER: 36010, 36011
2	* 36009R0007	PER: 36012
3	* 36007R0009	PER: 36010, 36011
3	* 57135R0001	PER: 36012
6	* 36007R0021	PER: 36010, 36011
6	* 36007R0020	PER: 36012
7	* 36010R0012	PER: 36010
7	* 36011R0012	PER: 36011
7	* 36012R0012	PER: 36012
8	* 36007R0016	PER: 36010, 36011
8	* 36007R0019	PER: 36012
9	* 36007R0013	PER: 36010, 36011
9	* 36009R0010	PER: 36012
10	* 27883R0007	PER: 36010, 36011
10	* 36009R0013	PER: 36012
10	* 27883R0008	PER: 36010, 36011
10	* 36009R0014	PER: 36012



CODE **36010, 36011, 36012**

BESCHREIBUNG: **PUMPE OPTIMA DIGITAL PROPORTIONAL VOLUMETRISCH**



**DEUTSCH**

POS	CODE	BESCHREIBUNG	MENGE	POS	CODE	BESCHREIBUNG	MENGE
1	* 36007R0004	KOPFSTÜCK PVDF. FPM. KUGELN KERAM		7	* 36011R0012	SCHALTKREIS DIGITAL 10 L/H	
1	* 36009R0001	KOPFSTÜCK PVC. FPM. KERAMIKKUGELN		7	* 36012R0012	SCHALTKREIS DIGITAL 20 L/H	
2	* 36007R0007	VENTIL PVDF-T/FPM 5 - 10 L/H		8	* 36007R0016	STANDFILTER 4/6MM PVC/FPM	
2	* 36009R0007	VENTIL PVDF-T/FPM 20 L/H		8	* 36007R0019	STANDFILTER 8/12MM PVC/FPM	
3	* 36007R0009	MEMBRAN 5 - 10 L/H		9	* 36007R0013	INJEKTOR-GEWINDESTÜCK 4/6MM PVC/FP	
3	* 57135R0001	DIAFRAMMA		9	* 36009R0010	INJEKTOR-GEWINDESTÜCK 8/12MM PVC/F	
4	36007R0010	ABDECKUNG		10	* 27883R0007	SAUGROHR PVC 4 X 6 L=100M	
4	57136R0002	TASTENFELD		10	* 36009R0013	SAUGROHR PVC. 8 X 12 LÄNGE 100 METEF	
5	36830	STÜTZFUSS		10	* 27883R0008	ROHR ANTRIEB PE 4 X 6 L=100 M	
6	* 36007R0021	ANSCHLUSS PVC B-C 4/6MM (10 UTS)		10	* 36009R0014	DRUCKROHR PEAD 8 X 12 LÄNGE 100 MET	
6	* 36007R0020	ANSCHLUSS PVC D 8/12MM (10 UTS)		11	51454	FÜLLSTANDSONDE BIPOLAR MIT FIXIERUN	
7	* 36010R0012	SCHALTKREIS DIGITAL 5 L/H					

CODE **36010, 36011, 36012**

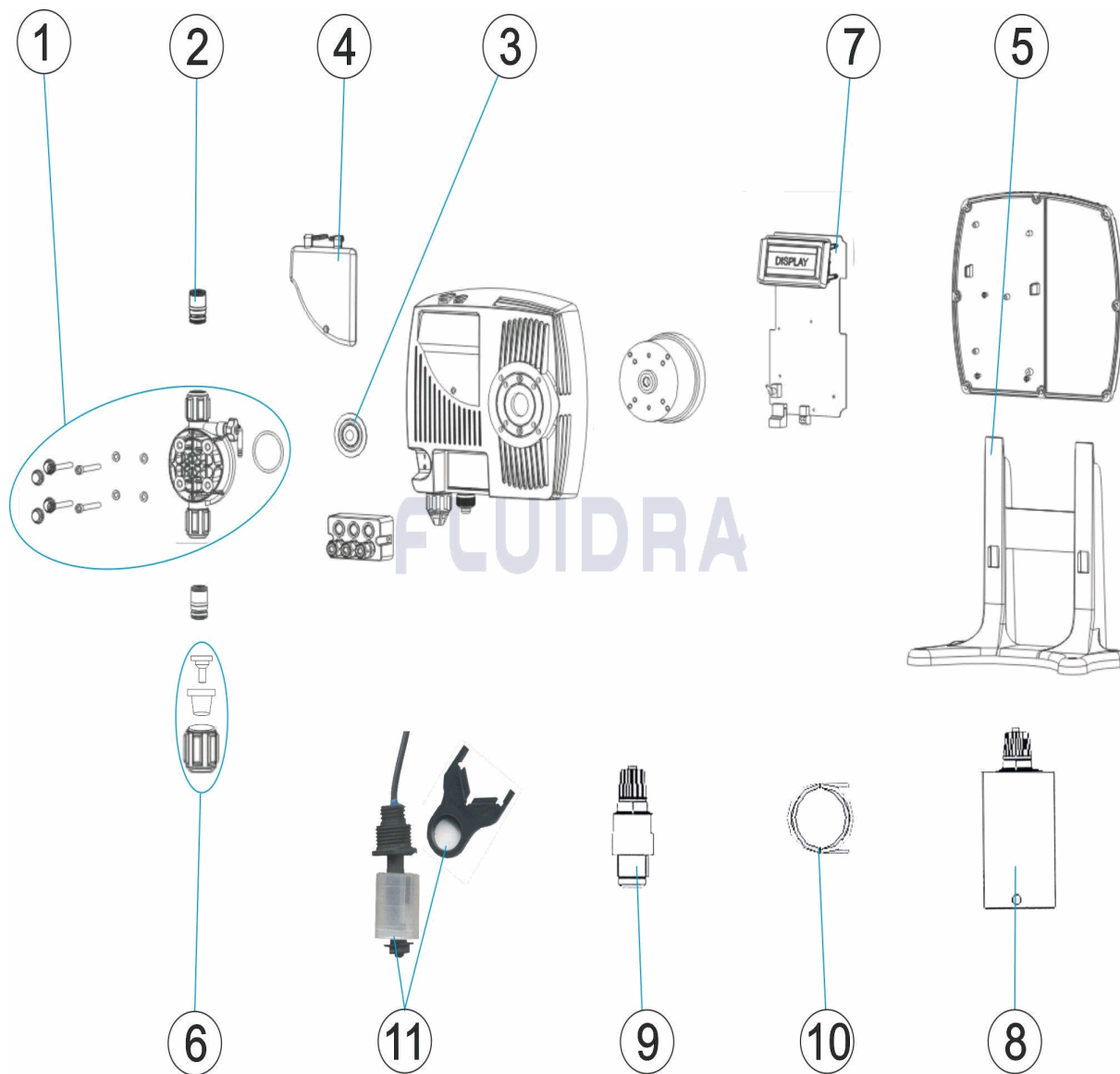
BESCHREIBUNG: **PUMPE OPTIMA DIGITAL PROPORTIONAL VOLUMETRISCH**

## HINWEISE

POS	CODE	HINWEISE
1	* 36007R0004	FÜR: 36010, 36011
1	* 36009R0001	FÜR: 36012
2	* 36007R0007	FÜR: 36010, 36011
2	* 36009R0007	FÜR: 36012
3	* 36007R0009	FÜR: 36010, 36011
3	* 57135R0001	FÜR: 36012
6	* 36007R0021	FÜR: 36010, 36011
6	* 36007R0020	FÜR: 36012
7	* 36010R0012	FÜR: 36010
7	* 36011R0012	FÜR: 36011
7	* 36012R0012	FÜR: 36012
8	* 36007R0016	FÜR: 36010, 36011
8	* 36007R0019	FÜR: 36012
9	* 36007R0013	FÜR: 36010, 36011
9	* 36009R0010	FÜR: 36012
10	* 27883R0007	FÜR: 36010, 36011
10	* 36009R0013	FÜR: 36012
10	* 27883R0008	FÜR: 36010, 36011
10	* 36009R0014	FÜR: 36012

CODIGO **36010, 36011, 36012**

DESCRIÇÃO: **BOMBA OPTIMA DIGITAL PROPORCIONAL VOLUMÉTRICA**



**PORTUGUES**

POS	CODIGO	DESCRIÇÃO	JANTIDADE	POS	CODIGO	DESCRIÇÃO	JANTIDADE
1	* 36007R0004	CABEÇAL PVDF FPM BOLAS CERAMICA 5-		7	* 36011R0012	CIRCUITO DIGITAL 10 L/H.	
1	* 36009R0001	CABEÇAL PVC. FPM BOLAS PIREX 20 L/H.		7	* 36012R0012	CIRCUITO DIGITAL 20 L/H.	
2	* 36007R0007	VALVULA PVDF-T/FPM 5-10 L/H.		8	* 36007R0016	FILTRO DE PE 4/6MM PVC/FPM	
2	* 36009R0007	VALVULA PVDF-T/FPM 20 L/H.		8	* 36007R0019	FILTRO DE PE 8/12MM PVC/FPM	
3	* 36007R0009	MEMBRANA 5-10 L/H.		9	* 36007R0013	LIGAÇÃO DE INJEÇÃO 4/6MM PVC/FPM	
3	* 57135R0001	MEMBRANA		9	* 36009R0010	LIGAÇÃO DE INJEÇÃO 8/12MM PVC/FPM	
4	36007R0010	TAMPA		10	* 27883R0007	TUBO ASP.PVC 4X6 COMP.100 M	
4	57136R0002	TECLADO		10	* 36009R0013	TUBO ASPIRAÇÃO PVC 8X12 COMPRIMEN	
5	36830	SUPORTE DA BASE		10	* 27883R0008	TUBO IMP. PE 4X6 COMP.100 M	
6	* 36007R0021	LIGAÇÃO PVC B-C 4/6MM (10 UTS)		10	* 36009R0014	TUBO IMPULSAO PEAD 8X12 COMPRIMEN	
6	* 36007R0020	LIGAÇÃO PVC D 8/12MM (10 UTS)		11	51454	SONDA NIVEL BIPOLAR COM FIXADOR	
7	* 36010R0012	CIRCUITO DIGITAL 5 L/H.					

**CODIGO 36010, 36011, 36012**

**DESCRIÇÃO: BOMBA OPTIMA DIGITAL PROPORCIONAL VOLUMÉTRICA**

## OBSERVAÇÕES

POS	CODIGO	OBSERVAÇÕES
1	* 36007R0004	PARA: 36010, 36011
1	* 36009R0001	PARA: 36012
2	* 36007R0007	PARA: 36010, 36011
2	* 36009R0007	PARA: 36012
3	* 36007R0009	PARA: 36010, 36011
3	* 57135R0001	PARA: 36012
6	* 36007R0021	PARA: 36010, 36011
6	* 36007R0020	PARA: 36012
7	* 36010R0012	PARA: 36010
7	* 36011R0012	PARA: 36011
7	* 36012R0012	PARA: 36012
8	* 36007R0016	PARA: 36010, 36011
8	* 36007R0019	PARA: 36012
9	* 36007R0013	PARA: 36010, 36011
9	* 36009R0010	PARA: 36012
10	* 27883R0007	PARA: 36010, 36011
10	* 36009R0013	PARA: 36012
10	* 27883R0008	PARA: 36010, 36011
10	* 36009R0014	PARA: 36012