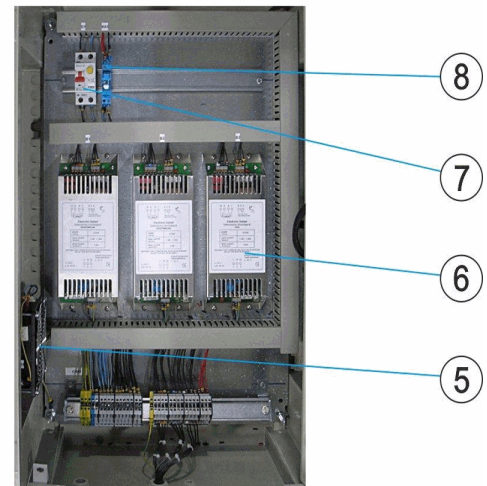
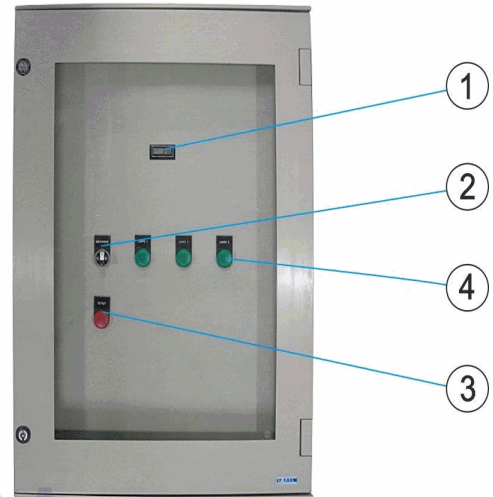
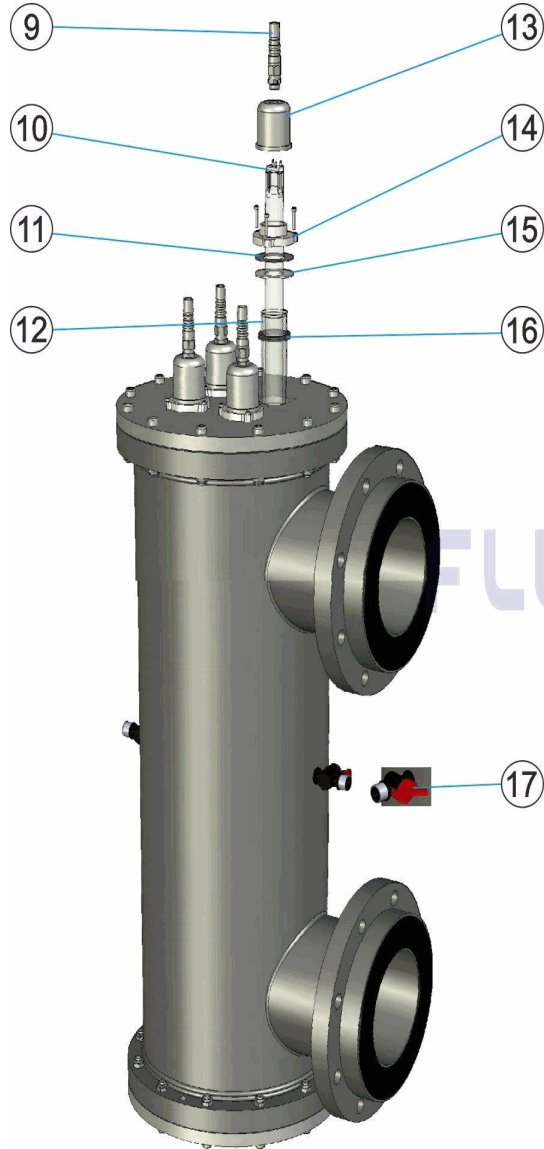


CODIGO 35987, 35988, 35989, 35990, 35991, 35992, 35993

DESCRIPCION: ULTRAVIOLETA CLAIR-UV " PE" LAMPARAS AMALGRAM "

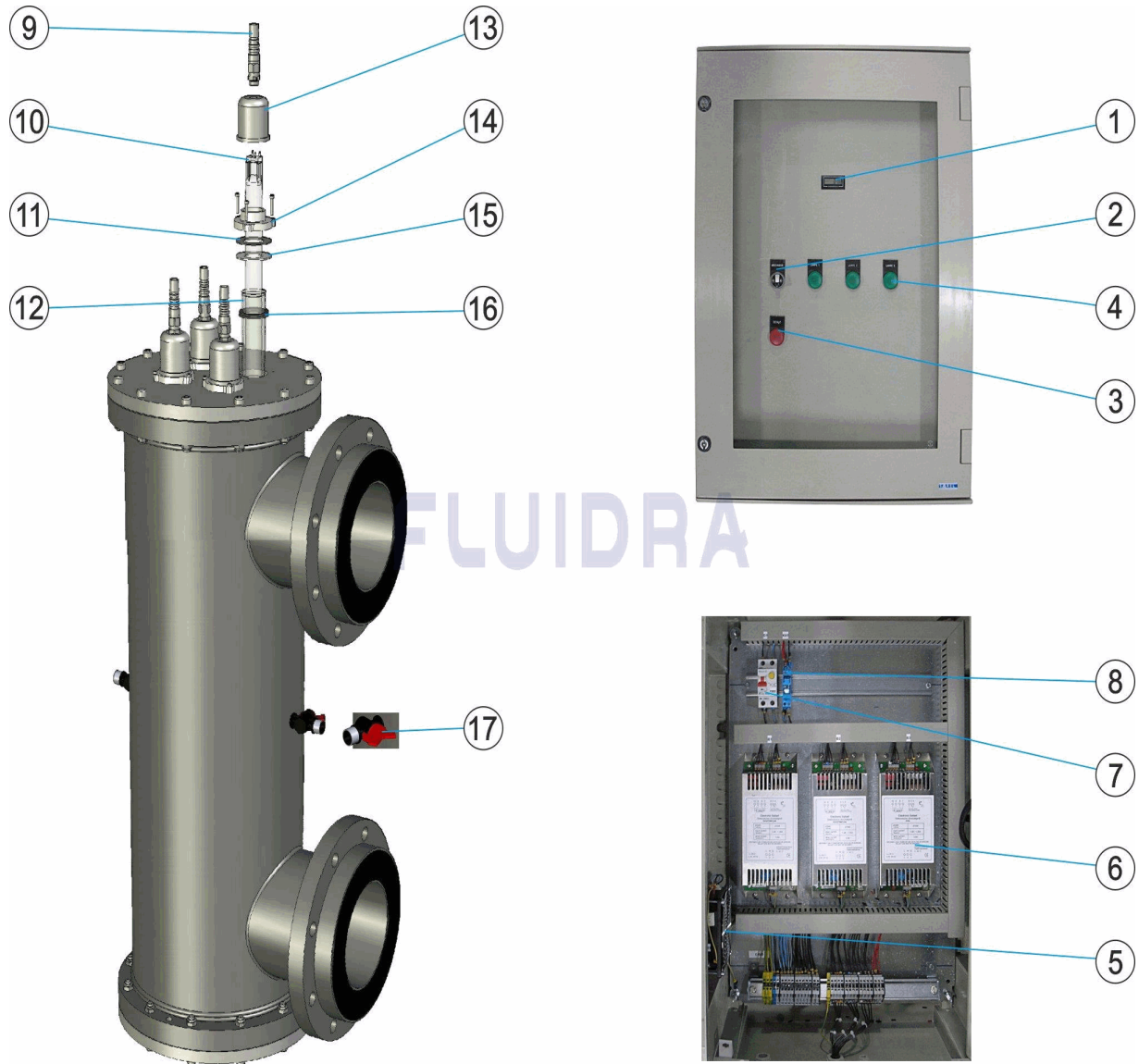


ESPAÑOL

POS	CODIGO	DESCRIPCION	CANTIDAD	POS	CODIGO	DESCRIPCION	CANTIDAD
1	32685R0028	CONTADOR HORARIO		9	35987R0006	PRENSA ESTOPAS	
2	32679R0023	INTERRUPTOR PARO MARCHA		10	35974R010	LAMPARA GAMA IAM 300W	
3	32679R0007	PROTECCION INDICADOR ROJO		11	35974R0001	ARANDELA PLANA ACERO	
3	35987R0002	INDICADOR ROJO		12	35974R020	TUBO QUARZO GAMA IAM 300W	
4	32679R0005	PROTECCION INDICADOR VERDE		13	35987R0008	TAPA LAMPARA	
4	35987R0003	INDICADOR VERDE		14	35987R0009	SOPORTE TUBO QUARZO	
5	35987R0004	VENTILADOR		15	35987R0010	ARANDELA PLANA TEFLON	
6	35974R030	RESISTENCIA VALASTRO GAMA IAM 300W		16	35987R0011	JUNTA	
7	32679R0028	INTERRUPTOR DIFERENCIAL		17	35987R0001	VALVULA DE PURGA	
8	35987R0005	RELE - PARA CONTACTO ALARMA					

CODE 35987, 35988, 35989, 35990, 35991, 35992, 35993

DESCRIPTION: ULTRAVIOLET CLAIR-UV " PE" LAMPES AMALGRAM "

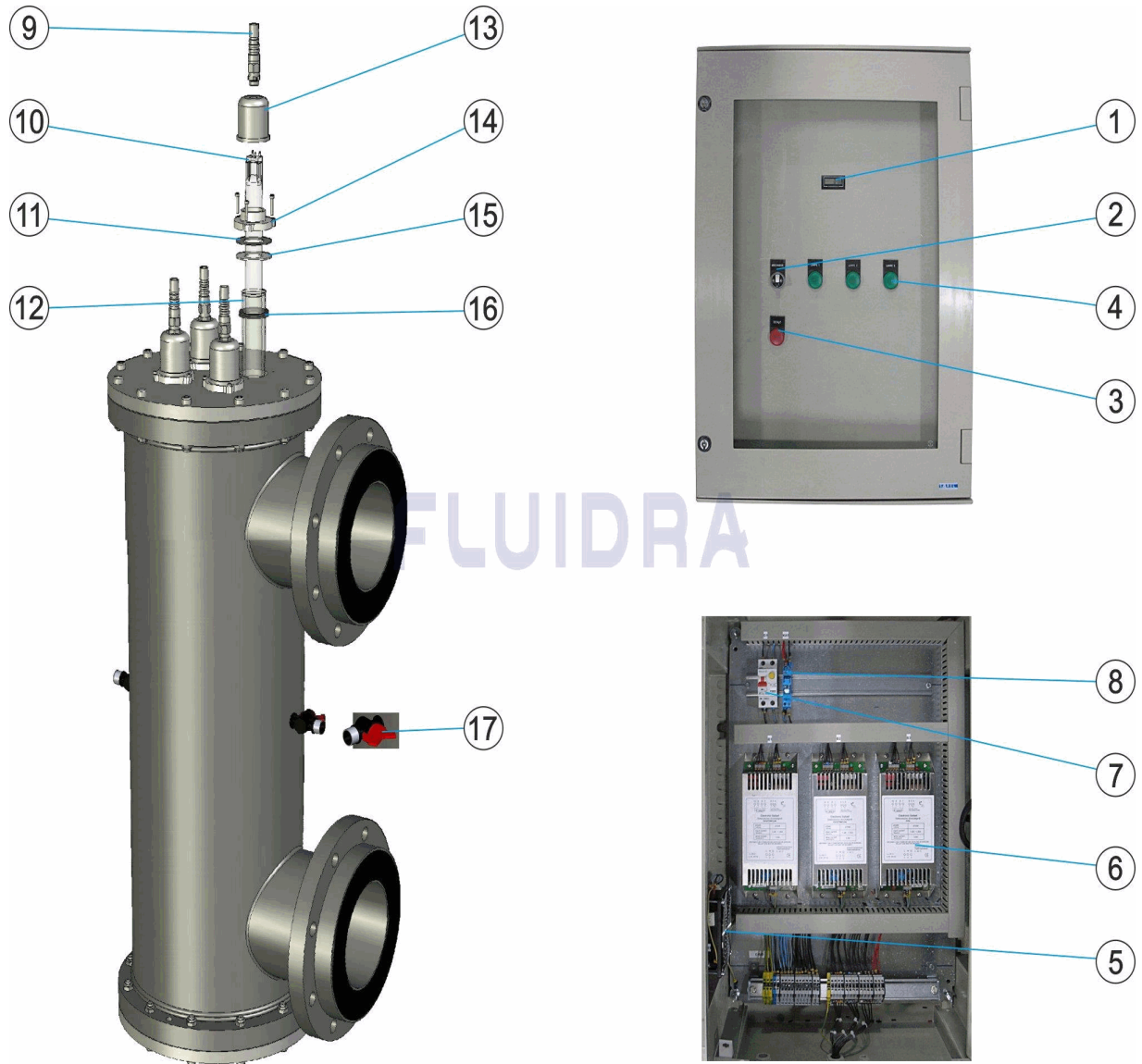


FRANCAIS

POS	CODE	DESCRIPTION	QUANTITE	POS	CODE	DESCRIPTION	QUANTITE
1	32685R0028	COMPTEUR HORAIRE		9	35987R0006	PRESSE ÉTOUPE	
2	32679R0023	COMMUTATEUR ROTATIF		10	35974R010	LAMPE IAM 300W	
3	32679R0007	CACHE VOYANT ROUGE		11	35974R0001	RONDELLE 'PLATE INOX	
3	35987R0002	VOYANT ROUGE		12	35974R020	GAINÉ QUARTZ IAM 300W	
4	32679R0005	CACHE VOYANT VERT		13	35987R0008	COUVERCLE LAMPE	
4	35987R0003	VOYANT VERT		14	35987R0009	SUPPORT QUARTZ	
5	35987R0004	VENTILATEUR		15	35987R0010	RONDELLE PLATE TÉFLON	
6	35974R030	RESISTANCE IAM 300W		16	35987R0011	JOINT	
7	32679R0028	COMMUTATEUR DIFFÉRENTIEL		17	35987R0001	VANNE DE PURGE	
8	35987R0005	RELAIS					

CODE **35987, 35988, 35989, 35990, 35991, 35992, 35993**

DESCRIPTION: **ULTRAVIOLET CLAIR-UV " PE" AMALGAM LAMP "**

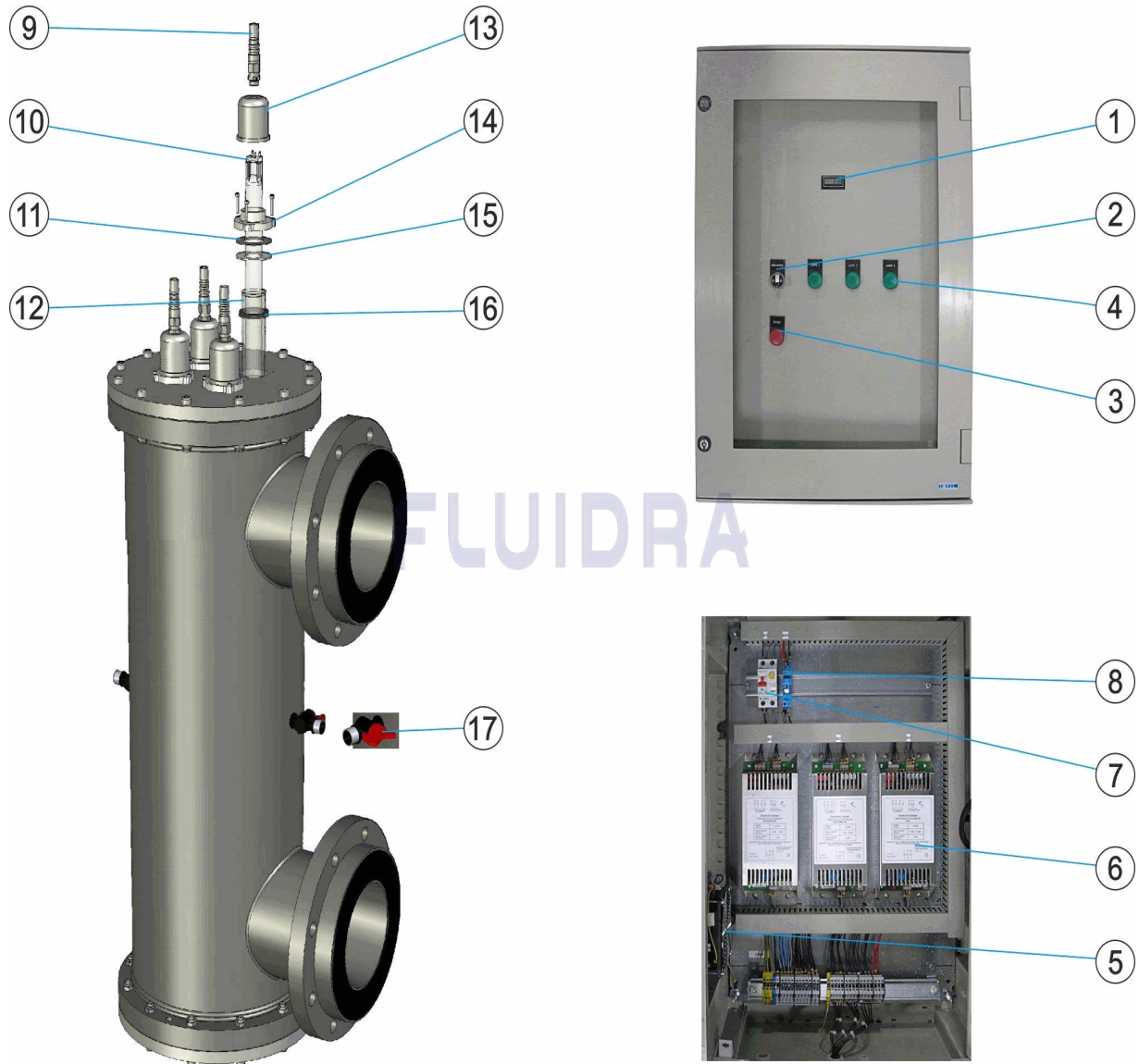


ENGLISH

POS	CODE	DESCRIPTION	QUANTITY	POS	CODE	DESCRIPTION	QUANTITY
1	32685R0028	HOUR COUNTER		9	35987R0006	GLAND SEAL	
2	32679R0023	ON/OFF SWITCH		10	35974R010	LAMPELC IAM 300W	
3	32679R0007	HIDE LIGHT RED		11	35974R0001	WIPER SEAL	
3	35987R0002	LED RED		12	35974R020	QUARTZ TUBE IAM 300W	
4	32679R0005	HIDE LIGHT GREEN		13	35987R0008	LAMP COVER	
4	35987R0003	LED GREEN		14	35987R0009	QUARZ TUBE SUPPORT	
5	35987R0004	FAN		15	35987R0010	SPACING WASHER	
6	35974R030	ELEMENT IAM 300W		16	35987R0011	SEAL	
7	32679R0028	DIFFERENTIAL SWITCH		17	35987R0001	PURGE VALVE	
8	35987R0005	RELAY					

CODICE 35987, 35988, 35989, 35990, 35991, 35992, 35993

DESCRIZIONE: ULTRAVOLETTI CLAIR-UV " PE" LAMPADE AMALGRAM "

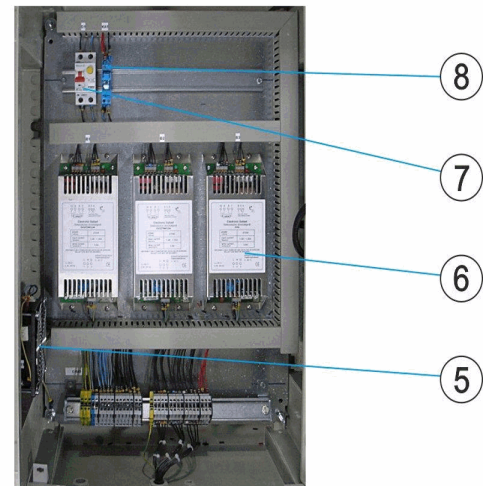
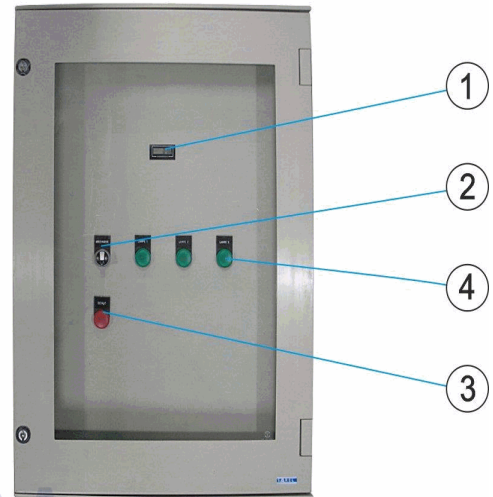
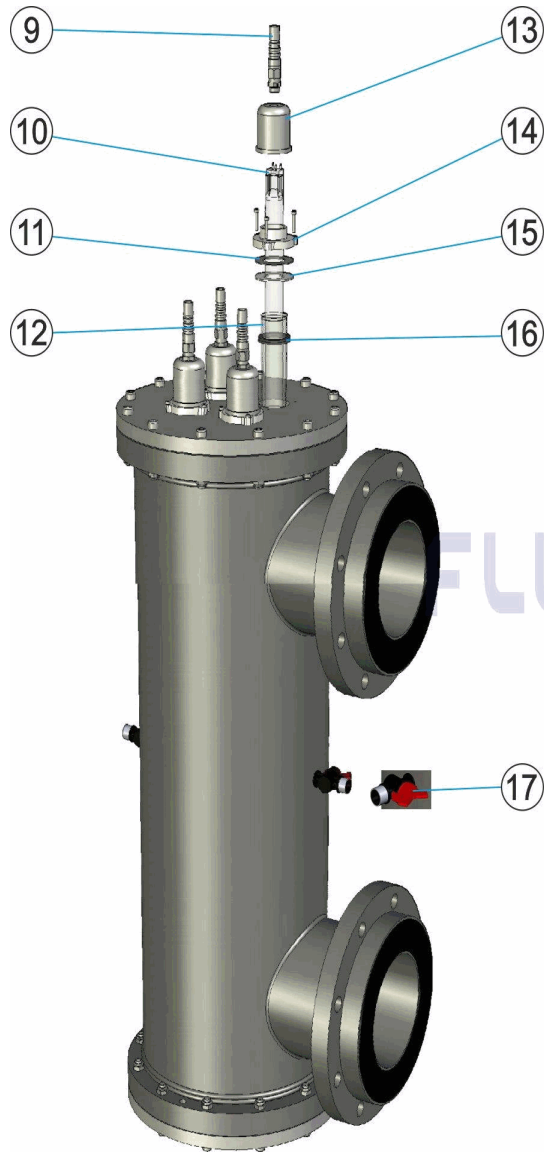


ITALIANO

POS	CODICE	DESCRIZIONE	QUANTITA'	POS	CODICE	DESCRIZIONE	QUANTITA'
1	32685R0028	CONTATORE ORARIO		9	35987R0006	PREMISTOPPA	
2	32679R0023	INTERRUTTORE ON/OFF		10	35974R010	LAMPADA IAM 300W	
3	32679R0007	COPRISPIA ROSSA		11	35974R0001	RONDELLA PIANA	
3	35987R0002	SPIA ROSSA		12	35974R020	GUAINA DI QUARZO IAM 300W	
4	32679R0005	COPRISPIA VERDE		13	35987R0008	COPERCHIO LAMPADA	
4	35987R0003	SPIA VERDE		14	35987R0009	SUPPORTO TUBO QUARZO	
5	35987R0004	VENTILATORE		15	35987R0010	DISTANZIALE TEFLON	
6	35974R030	RESISTENZA IAM 300W		16	35987R0011	GIUNTA	
7	32679R0028	INTERRUTTORE DIFFERENZIALE		17	35987R0001	VALVOLA DI DRENAGIO	
8	35987R0005	RELÉ					

CODE **35987, 35988, 35989, 35990, 35991, 35992, 35993**

BESCHREIBUNG: **ULTRAVIOLETTLAMPE CLAIR-UV " PE" "**

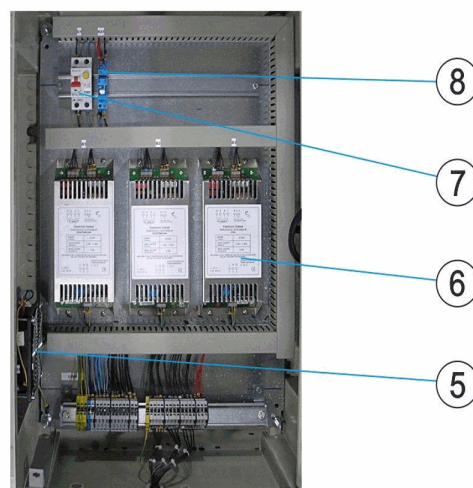
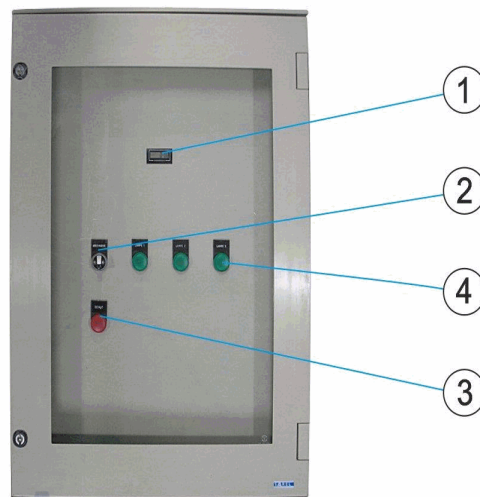
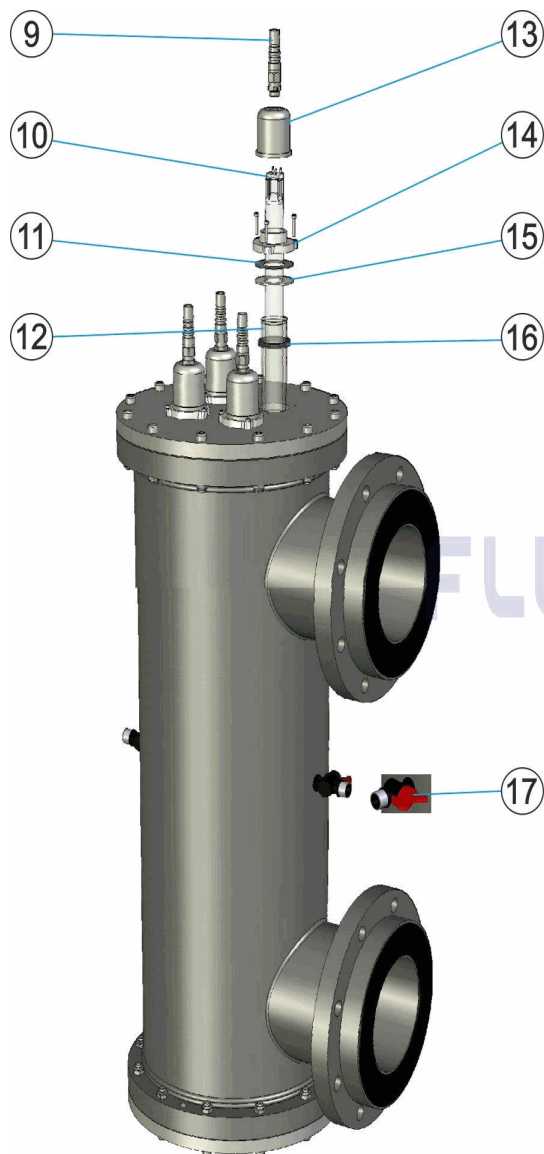


DEUTSCH

POS	CODE	BESCHREIBUNG	MENGE	POS	CODE	BESCHREIBUNG	MENGE
1	32685R0028	STUNDENZÄHLER		9	35987R0006	QUETSCHVERSCHRAUBUNG	
2	32679R0023	SCHALTER EIN-AUS		10	35974R010	LAMPE BAUREIHE IAM 300 W	
3	32679R0007	SCHUTZVORRICHTUNG ANZEIGE ROT		11	35974R0001	FLACHE EDELSTAHLUNTERLEGSCHIEBE	
3	35987R0002	ANZEIGE ROT		12	35974R020	QUARZRÖHRE BAUREIHE IAM 300 W	
4	32679R0005	SCHUTZVORRICHTUNG ANZEIGE GRÜN		13	35987R0008	LAMPENDECKEL	
4	35987R0003	ANZEIGE GRÜN		14	35987R0009	HALTERUNG QUARZRÖHRE	
5	35987R0004	VENTILATOR		15	35987R0010	UNTERLEGSCHIEBE FLACH TEFLON	
6	35974R030	WIDERSTAND BAUREIHE IAM 300 W		16	35987R0011	DICHTUNG	
7	32679R0028	DIFFERENZSCHALTER		17	35987R0001	ABLASSVENTIL	
8	35987R0005	RELAIS - FÜR ALARMKONTAKT					

CODIGO 35987, 35988, 35989, 35990, 35991, 35992, 35993

DESCRIÇÃO: ULTRAVIOLETA CLAIR-UV " PE" LÂMPADAS AMALGRAM "



PORTUGUES

POS	CODIGO	DESCRIÇÃO	JANTIDADE	POS	CODIGO	DESCRIÇÃO	JANTIDADE
1	32685R0028	CONTADOR HORÁRIO		9	35987R0006	BUCIN	
2	32679R0023	INTERRUPTOR ON/OFF		10	35974R010	LÂMPADA IAM 300W	
3	32679R0007	TAMPA DE INDICADOR LUMINOSO BERME		11	35974R0001	ANILHA PLANA	
3	35987R0002	INDICADOR LUMINOSO VERMELHO		12	35974R020	TUBO DE QUARZO IAM 300W	
4	32679R0005	TAMPA DE INDICADOR LUMINOSO VERDE		13	35987R0008	LAMPA LÂMPADA	
4	35987R0003	INDICADOR LUMINOSO VERDE		14	35987R0009	SUPORTE TUBO QUARZO	
5	35987R0004	VENTILATOR		15	35987R0010	ARRUELA	
6	35974R030	RESISTÊNCIA IAM 300W		16	35987R0011	JUNTA	
7	32679R0028	INTERRUPTOR DIFERENCIAL		17	35987R0001	VALVULA DE PURGA	
8	35987R0005	RELÉ					