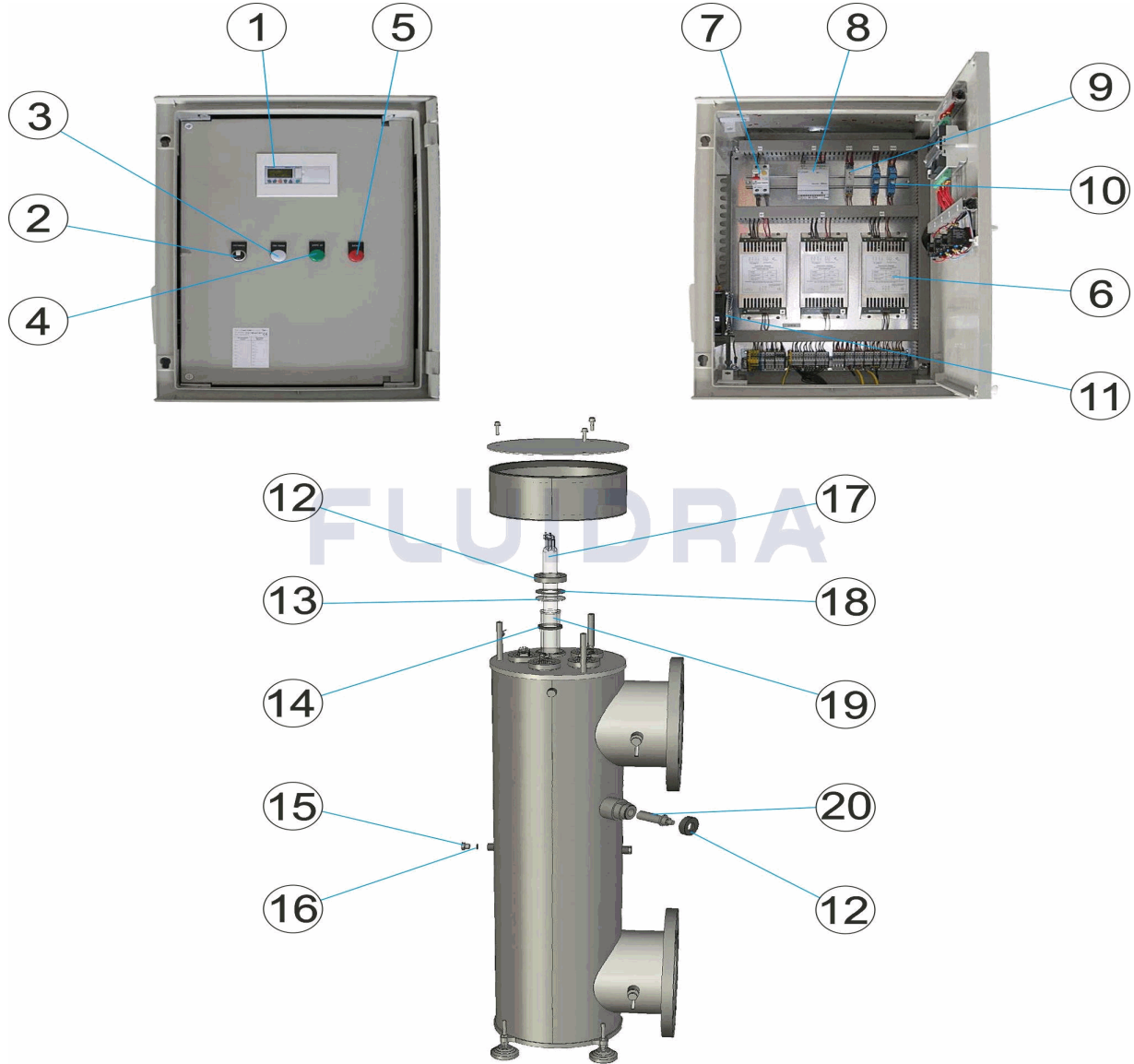


CODIGO **35974, 35975, 35976, 35977, 35978**

DESCRIPCION: **CLAIR-UV "LP" PARA PISCINA PUBLICA IAM 300 "**



ESPAÑOL

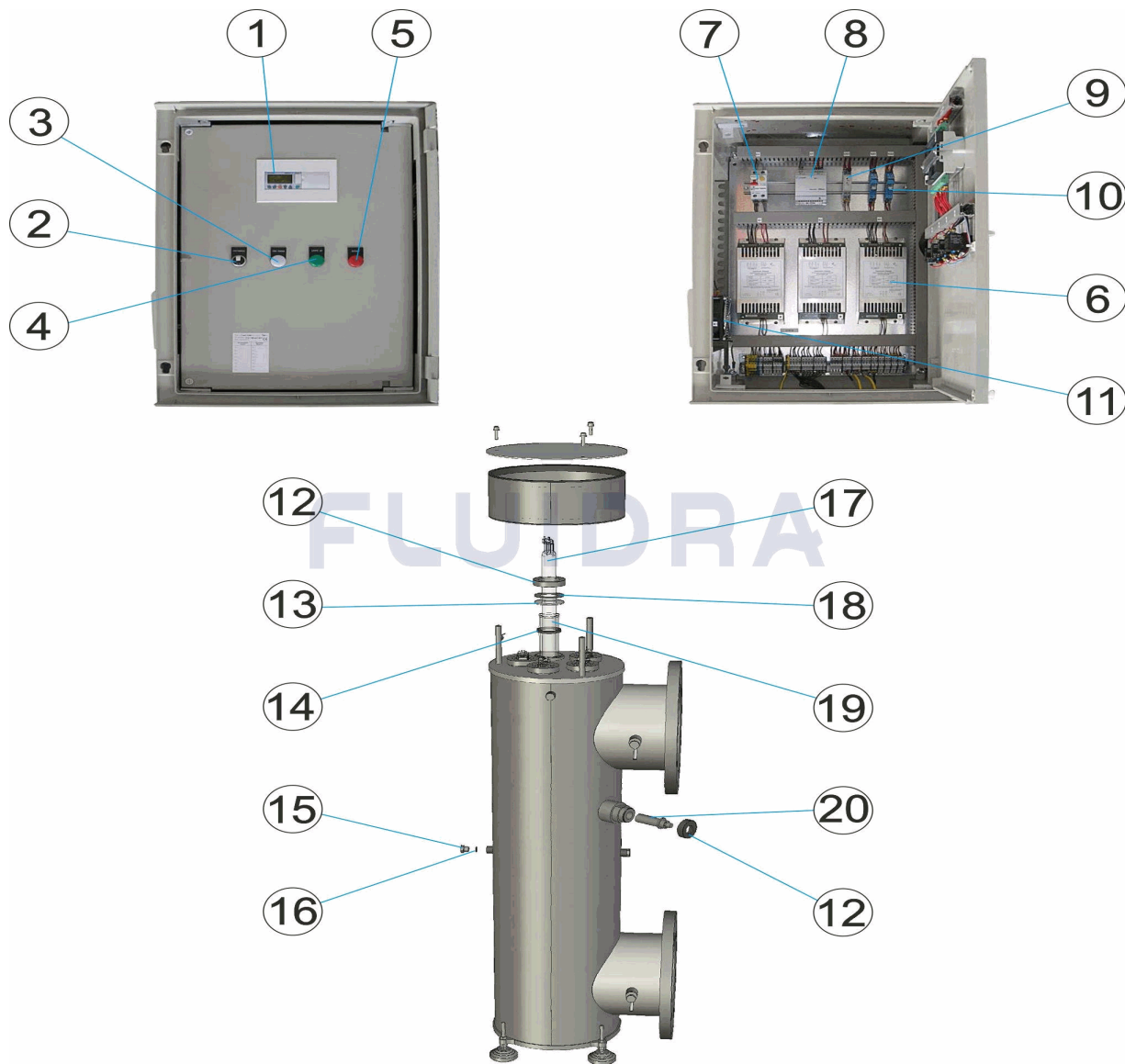
POS	CODIGO	DESCRIPCION	CANTIDAD	POS	CODIGO	DESCRIPCION	CANTIDAD
1	36831R0013	MONITOR M3		9	35968R0001	CONVERTIDOR 0-10V 4-20MA.	
2	32679R0023	INTERRUPTOR PARO MARCHA		10	32679R0035	RELE	
3	32679R0004	PROTECCION INDICADOR BLANCO		11	35987R0004	VENTILADOR	
3	32679R0011	INDICADOR BLANCO		12	32685R0016	TUERCA	
4	32679R0005	PROTECCION INDICADOR VERDE		13	35987R0010	ARANDELA PLANA TEFLON	
4	32679R0006	INDICADOR VERDE		14	35987R0011	JUNTA	
5	32679R0007	PROTECCION INDICADOR ROJO		15	32679R0021	TAPON DRENAJE	
5	32679R0003	ARO TEFLON		16	32679R0009	JUNTA	
6	35974R030	RESISTENCIA VALASTRO GAMA IAM 300W		17	35974R010	LAMPARA GAMA IAM 300W	
7	32679R0028	INTERRUPTOR DIFERENCIAL		18	32679R0001	TUERCA MP	
8	32679R0030	ALIMENTACION 24 VDC		19	35974R020	TUBO QUARZO GAMA IAM 300W	
8	* 32679R0031	ALIMENTACION 24 VDC MP440 Y AUTOMA		20	35968R0002	SENSOR UV	

CODIGO **35974, 35975, 35976, 35977, 35978**DESCRIPCION: **CLAIR-UV "LP" PARA PISCINA PUBLICA IAM 300 "****OBSERVACIONES**

POS	CODIGO	OBSERVACIONES
8	* 32679R0031	PARA: AUTOMATIC MODEL

CODE 35974, 35975, 35976, 35977, 35978

DESCRIPTION: CLAIR-UV " LP" POUR PISCINE PUBLIQUE IAM 300 "



FRANCAIS

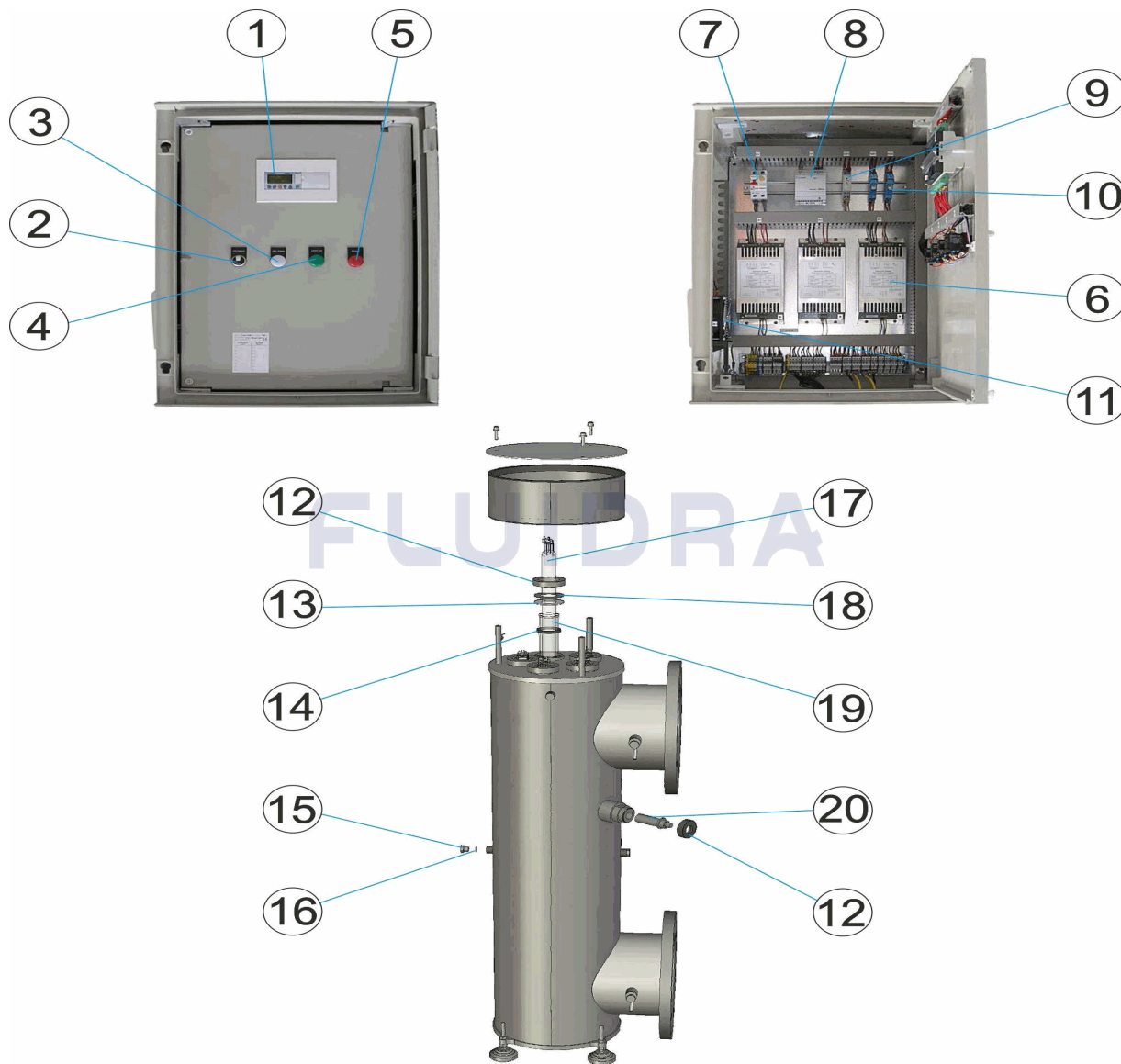
POS	CODE	DESCRIPTION	QUANTITE	POS	CODE	DESCRIPTION	QUANTITE
1	36831R0013	MONITEUR M3		9	35968R0001	CONVERTISSEUR 0-10V 4-20MA.	
2	32679R0023	COMMUTATEUR ROTATIF		10	32679R0035	RELAIS	
3	32679R0004	CACHE VOYANT BLANC		11	35987R0004	VENTILATEUR	
3	32679R0011	VOYANT BLANC		12	32685R0016	ECROU	
4	32679R0005	CACHE VOYANT VERT		13	35987R0010	RONDELLE PLATE TÉFLON	
4	32679R0006	VOYANT VERT		14	35987R0011	JOINT	
5	32679R0007	CACHE VOYANT ROUGE		15	32679R0021	BOUCHON DE PURGE	
5	32679R0003	BAGUES TEFLON		16	32679R0009	JOINT TORIQUE	
6	35974R030	RESISTANCE IAM 300W		17	35974R010	LAMPE IAM 300W	
7	32679R0028	COMMUTATEUR DIFFÉRENTIEL		18	32679R0001	ECROU MP	
8	32679R0030	ALIMENTATION 24VDC MP100 A 340		19	35974R020	GAINÉ QUARTZ IAM 300W	
8	* 32679R0031	ALIMENTATION 24VDC MP440		20	35968R0002	CAPTEUR UV	

CODE **35974, 35975, 35976, 35977, 35978**DESCRIPTION: **CLAIR-UV " LP" POUR PISCINE PUBLIQUE IAM 300 "****OBSERVATIONS**

POS	CODE	OBSERVATIONS
8	* 32679R0031	POUR: AUTOMATIC MODEL

CODE **35974, 35975, 35976, 35977, 35978**

DESCRIPTION: **CLAIR - UV " LP" FOR PUBLIC POOL IAM 300 "**



ENGLISH

POS	CODE	DESCRIPTION	QUANTITY	POS	CODE	DESCRIPTION	QUANTITY
1	36831R0013	MONITOR M3		9	35968R0001	CONVERTER 0-10V 4-20MA	
2	32679R0023	ON/OFF SWITCH		10	32679R0035	RELAY	
3	32679R0004	HIDE LIGHT WHITE		11	35987R0004	FAN	
3	32679R0011	LED WHITE		12	32685R0016	NUT	
4	32679R0005	HIDE LIGHT GREEN		13	35987R0010	SPACING WASHER	
4	32679R0006	LED GREEN		14	35987R0011	SEAL	
5	32679R0007	HIDE LIGHT RED		15	32679R0021	DRAIN PLUG	
5	32679R0003	PTFE RINGS		16	32679R0009	SEAL	
6	35974R030	ELEMENT IAM 300W		17	35974R010	LAMPELC IAM 300W	
7	32679R0028	DIFFERENTIAL SWITCH		18	32679R0001	MP NUT	
8	32679R0030	POWER SUPPLY 24VDC MP100 A 340		19	35974R020	QUARTZ TUBE IAM 300W	
8	* 32679R0031	POWER SUPPLY 24VDC MP440		20	35968R0002	UV SENSOR	

CODE **35974, 35975, 35976, 35977, 35978**

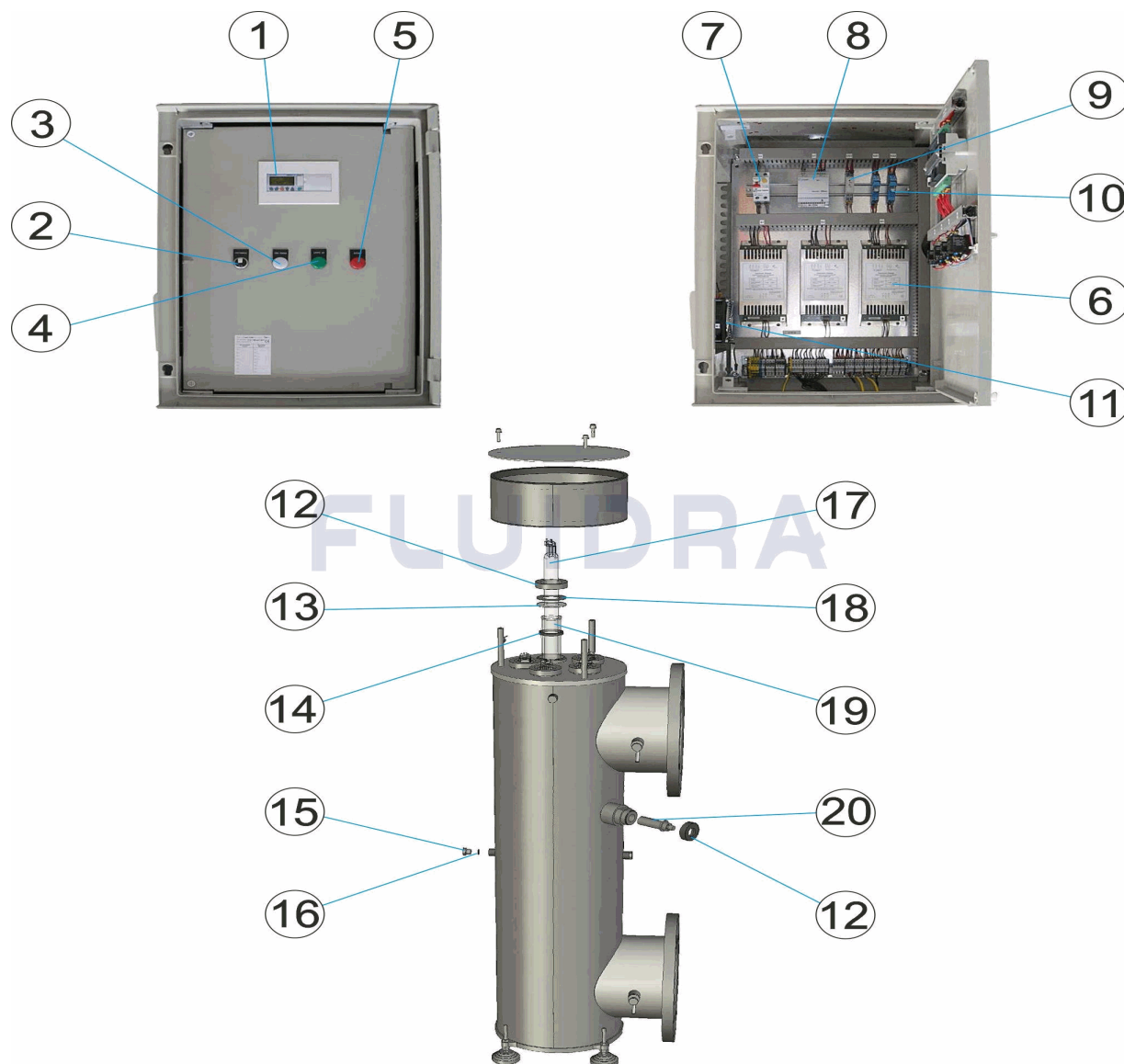
DESCRIPTION: **CLAIR - UV " LP" FOR PUBLIC POOL IAM 300 "**

OBSERVATIONS

POS	CODE	OBSERVATIONS
8	* 32679R0031	FOR: AUTOMATIC MODEL

CODICE **35974, 35975, 35976, 35977, 35978**

DESCRIZIONE: **CLAIR-UV " LP" PER PISCINA PUBBLICA IAM 300 "**



ITALIANO

POS	CODICE	DESCRIZIONE	QUANTITA'	POS	CODICE	DESCRIZIONE	QUANTITA'
1	36831R0013	MONITOR M3		9	35968R0001	CONVERTITORE 0-10V 4-20MA.	
2	32679R0023	INTERRUTTORE ON/OFF		10	32679R0035	RELÉ	
3	32679R0004	COPRISPIA BIANCA		11	35987R0004	VENTILATORE	
3	32679R0011	SPIA BIANCA		12	32685R0016	DADO	
4	32679R0005	COPRISPIA VERDE		13	35987R0010	DISTANZIALE TÉFLON	
4	32679R0006	SPIA VERDE		14	35987R0011	GIUNTA	
5	32679R0007	COPRISPIA ROSSA		15	32679R0021	TAPPO DI DRENAGGIO	
5	32679R0003	ANELLI PTFE		16	32679R0009	GIUNTO	
6	35974R030	RESISTENZA IAM 300W		17	35974R010	LAMPADA IAM 300W	
7	32679R0028	INTERRUTTORE DIFFERENZIALE		18	32679R0001	DADO MP	
8	32679R0030	ALIMENTAZIONE 24VDC MP100 A 340		19	35974R020	GUAINA DI QUARZO IAM 300W	
8	* 32679R0031	ALIMENTAZIONE 24VDC MP440		20	35968R0002	SENSORE UV	

CODICE 35974, 35975, 35976, 35977, 35978

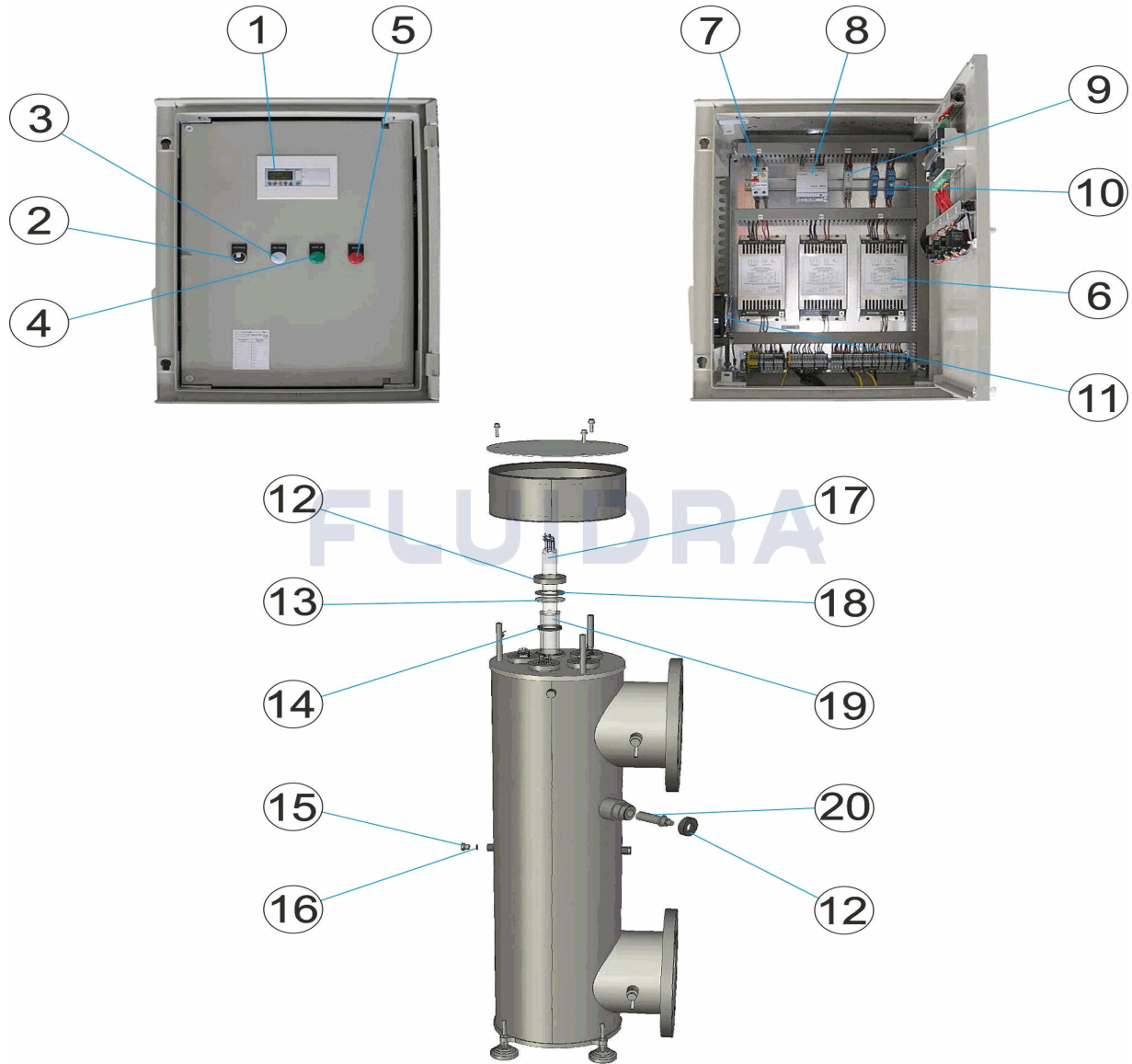
DESCRIZIONE: CLAIR-UV " LP" PER PISCINA PUBBLICA IAM 300 "

OSSERVAZIONI

POS	CODICE	OSSERVAZIONI
8	* 32679R0031	PER: AUTOMATIC MODEL

CODE **35974, 35975, 35976, 35977, 35978**

BESCHREIBUNG: **CLAIR-UV "LP" FÜR ÖFFENTLICHES SCHWIMMBAD IAM 300 "**



DEUTSCH

POS	CODE	BESCHREIBUNG	MENGE	POS	CODE	BESCHREIBUNG	MENGE
1	36831R0013	MONITOR M3		9	35968R0001	KONVERTER 0 - 10 V 4 - 20 MA	
2	32679R0023	SCHALTER EIN-AUS		10	32679R0035	RELAIS	
3	32679R0004	SCHUTZVORRICHTUNG ANZEIGE WEISS		11	35987R0004	VENTILATOR	
3	32679R0011	ANZEIGE WEISS		12	32685R0016	MUTTER	
4	32679R0005	SCHUTZVORRICHTUNG ANZEIGE GRÜN		13	35987R0010	UNTERLEGSSCHEIBE FLACH TEFLON	
4	32679R0006	ANZEIGE GRÜN		14	35987R0011	DICHTUNG	
5	32679R0007	SCHUTZVORRICHTUNG ANZEIGE ROT		15	32679R0021	ABLASSSTOPFEN	
5	32679R0003	RING TEFLON		16	32679R0009	DICHTUNG	
6	35974R030	WIDERSTAND BAUREIHE IAM 300 W		17	35974R010	LAMPE BAUREIHE IAM 300 W	
7	32679R0028	DIFFERENZSCHALTER		18	32679R0001	MUTTER MP	
8	32679R0030	STROMVERSORGUNG 24 V DC		19	35974R020	QUARZRÖHRE BAUREIHE IAM 300 W	
8	* 32679R0031	STROMVERSORGUNG 24 V DC FÜR MP44I		20	35968R0002	UV-MESSER	

CODE **35974, 35975, 35976, 35977, 35978**

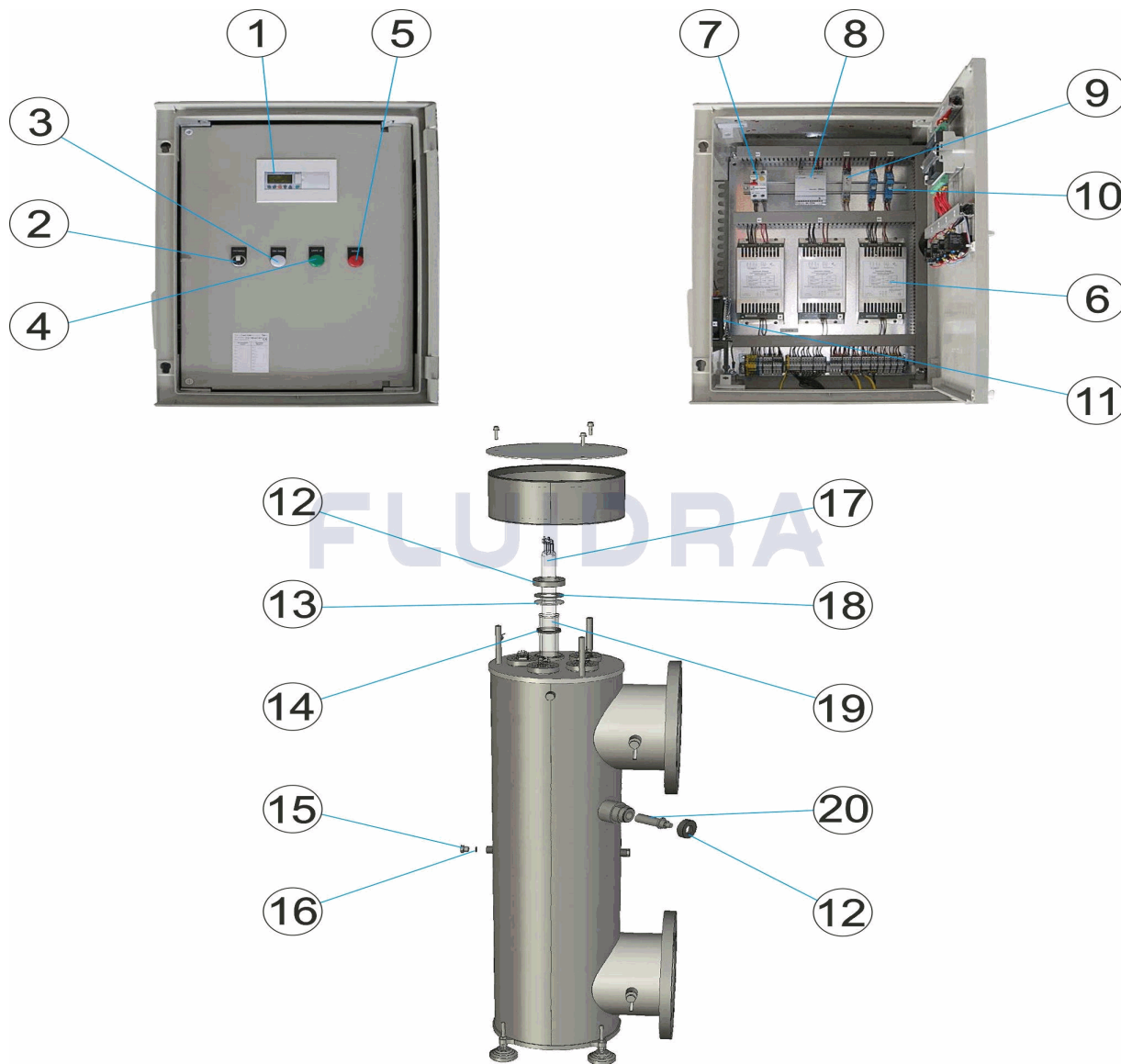
BESCHREIBUNG: **CLAIR-UV "LP" FÜR ÖFFENTLICHES SCHWIMMBAD IAM 300 "**

HINWEISE

POS	CODE	HINWEISE
8	* 32679R0031	FÜR: AUTOMATIC MODEL

CODIGO 35974, 35975, 35976, 35977, 35978

DESCRIÇÃO: CLAIR-UV " LP" PARA PISCINA PÚBLICA IAM 300 "



PORTUGUES

POS	CODIGO	DESCRIÇÃO	JANTIDADE	POS	CODIGO	DESCRIÇÃO	JANTIDADE
1	36831R0013	MONITOR M3		9	35968R0001	CONVERSÃO 0-10V 4-20MA.	
2	32679R0023	INTERRUPTOR ON/OFF		10	32679R0035	RELÉ	
3	32679R0004	TAMPA DE INDICADOR LUMINOSO BRANCO		11	35987R0004	VENTILATOR	
3	32679R0011	INDICADOR LUMINOSO BRANCO		12	32685R0016	PORCA	
4	32679R0005	TAMPA DE INDICADOR LUMINOSO VERDE		13	35987R0010	ARRUELA	
4	32679R0006	INDICADOR LUMINOSO VERDE		14	35987R0011	JUNTA	
5	32679R0007	TAMPA DE INDICADOR LUMINOSO BERME		15	32679R0021	TAMPÃO DE PURGA	
5	32679R0003	ANÉIS EM TEFLON		16	32679R0009	JUNTA	
6	35974R030	RESISTÊNCIA IAM 300W		17	35974R010	LÂMPADA IAM 300W	
7	32679R0028	INTERRUPTOR DIFERENCIAL		18	32679R0001	PORCA MP	
8	32679R0030	ALIMENTAÇÃO 24VDC MP100 A 340		19	35974R020	TUBO DE QUARZO IAM 300W	
8	* 32679R0031	ALIMENTAÇÃO 24VDC MP440		20	35968R0002	SENSOR UV	

CODIGO **35974, 35975, 35976, 35977, 35978**DESCRIÇÃO: **CLAIR-UV " LP" PARA PISCINA PÚBLICA IAM 300 "****OBSERVAÇÕES**

POS	CODIGO	OBSERVAÇÕES
8	* 32679R0031	PARA: AUTOMATIC MODEL