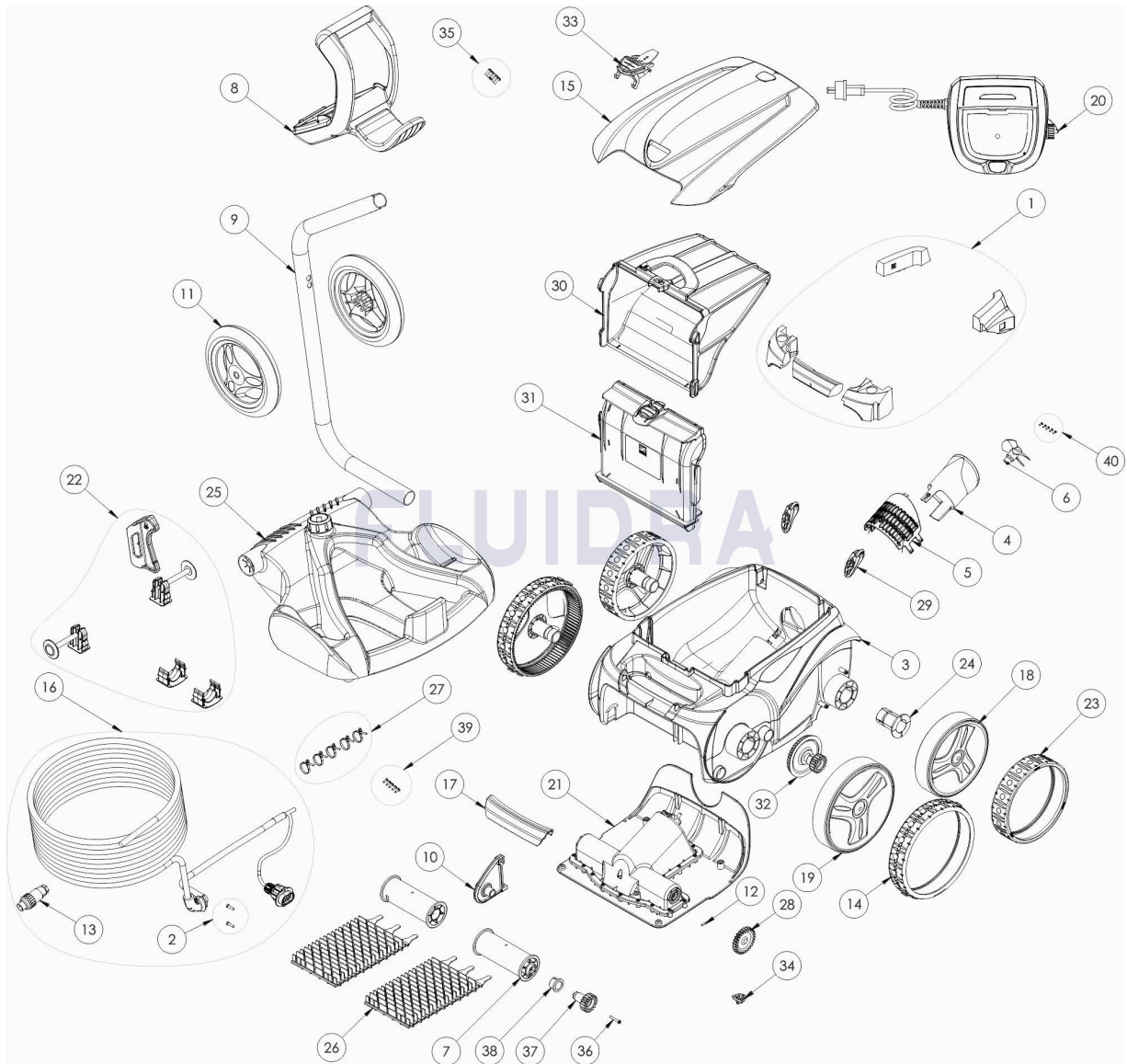


CODIGO **WR000042**

 DESCRIPCION: **RV 4310 TILE**

**ESPAÑOL**

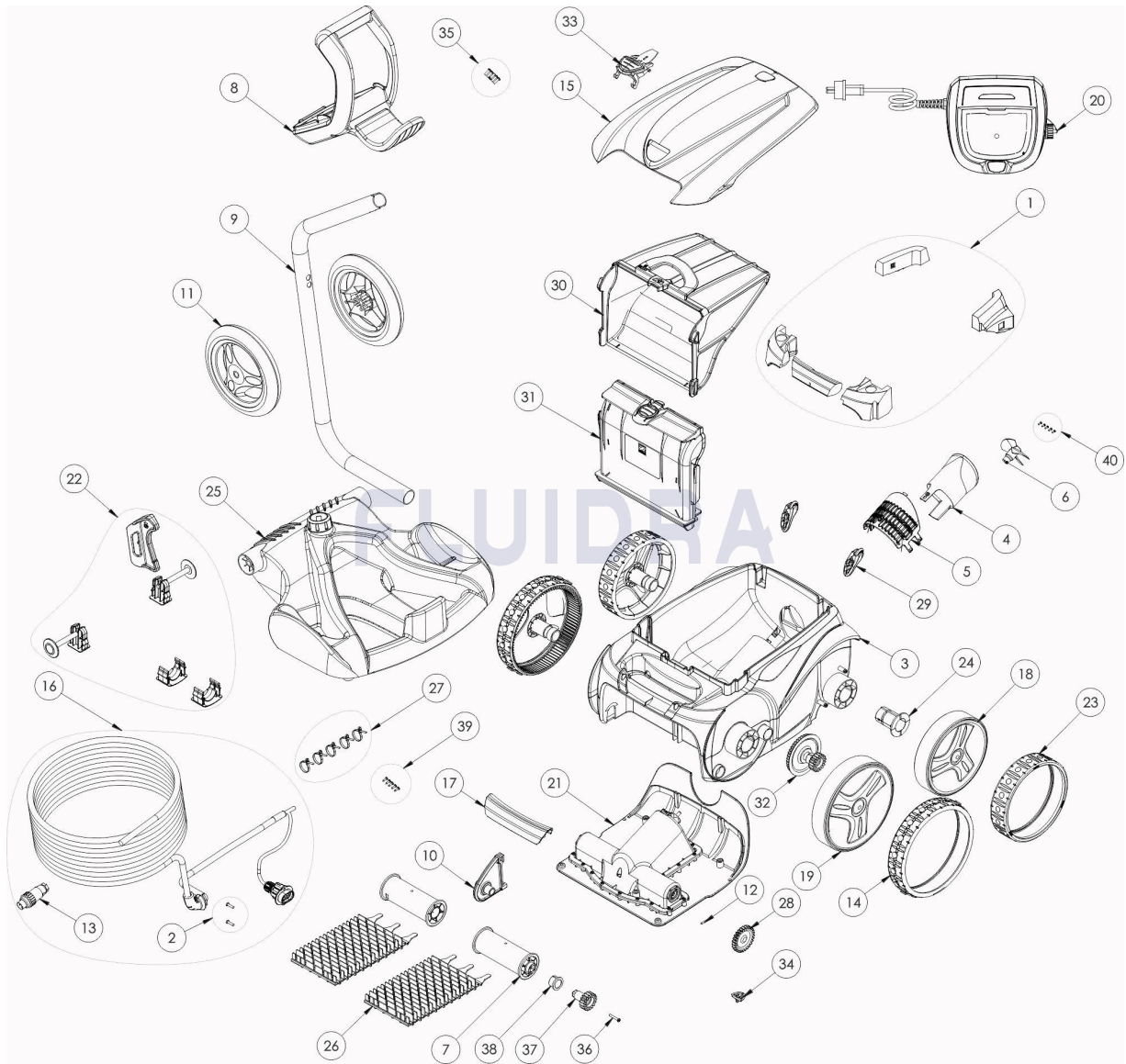
POS	CODIGO	DESCRIPCION	CANTIDAD	POS	CODIGO	DESCRIPCION	CANTIDAD
1	R0539700	FLOTADOR	1	16	R0516800	CABLE FLOTANTE 18M	1
2	R0608500	TORNILLO 4*16 MM (PACK DE 5 UN	1	17	R0540400	EMPUÑADURA PMS295	1
3	R0589100	CARACA COMPLETA 2WD II AZUL	1	18	R0636100	LLANTA PEQUEÑA R9022 ZODIAC	2
4	R0517500	CANALIZADOR DE FLUJO	1	19	R0636001	LLANTA GRANDE R9022 ZODIAC	2
5	R0517600	MALLA PROTECCIÓN	1	20	R0637300	UNIDAD DE CONTROL TIPO 5V	1
6	R0517000	HÉLICE	1	21	R0637800	BLOQUE MOTOR TIPO A	1
7	R0517400	RODILLO PORTACEPILLOS (Pack 2 UN)	1	22	R0564900	KIT ACCESORIOS CARRO	1
8	R0565000	EMPUÑADURA CARRO DE TRANSPORTE	1	23	R0636300	CUBIERTA DE RUEDA TRASERA NEGRA ZO	2
9	R0565200	TUBO CARRO DE TRANSPORTE	1	24	R0636700	CASQUILLO COJINETE RUEDA ZODIAC	4
10	R0518700	CLIP FIJACIÓN DE RODILLOS AZUL	1	25	R0564800	BASE CARRO DE TRANSPORTE	1
11	R0565100	RUEDAS CARRO DE TRANSPORTE (Pack 2	1	26	R0635900	CEPILLOS ZODIAC (Pack 2 UN)	1
12	R0567800	CLIP FIJADOR 3*16 MM (Pack 5 UN)	1	27	R0567900	ABRAZADERAS CABLE FLOTANTE ( Pack 5	1
13	R0565600	CONECTOR DE CABLE 4 PINS	1	28	R0518800	PIÑÓN 27 DIENTES (Pack 2 UN)	1

CODIGO **WR000042**DESCRIPCION: **RV 4310 TILE**

14	R0636400	CUBIERTA DE RUEDA DELANTERA TILE ZC	2	29	R0518100	PARACHOQUES CON RUEDAS (Pack 2 UN)	1
15	R0544700	TAPA AZUL	1	30	R0636600	FILTRO RESIDUOS FINOS 100µ V	1
31	R0517700	SOPORTE FILTRO	1	36	R0638900	TORNILLO 4*25 MM (Pack 5 UN)	1
32	R0517200	CJTO.TRANSMISIÓN	2	37	R0639000	PIÑÓN 17 DIENTES (Pack 2 UN)	1
33	R0638700	CIERRE TAPA PMS108	1	38	R0639100	CASQUILLO EXTERIOR (Pack 2 UN)	1
34	R0519000	RAMPA	1	39	R0639200	TORNILLO 2.9*9.5 MM (Pack 5 UN)	1
35	R0516700	TORNILLO 4*12 MM (PACK DE 5 UN.)	1	40	R0564500	TORNILLO 2,2*6,5 MM (5 UN.)	1

CODE **WR000042**

DESCRIPTION: **RV 4310 TILE**



## FRANCAIS

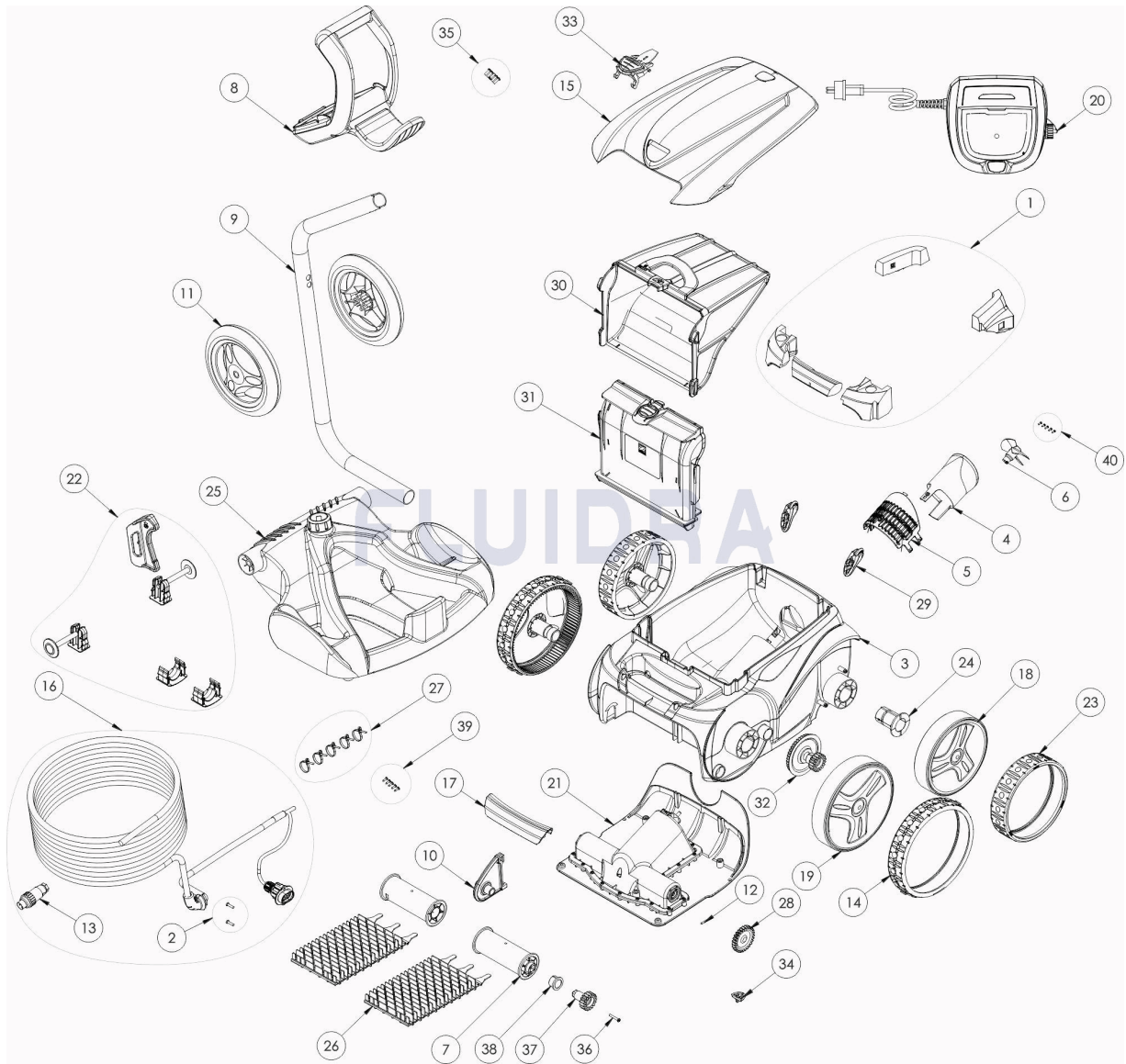
POS	CODE	DESCRIPTION	QUANTITE	POS	CODE	DESCRIPTION	QUANTITE
1	R0539700	FLOTTEUR COMPLET	1	16	R0516800	CABLE FLOTTANT 18M	1
2	R0608500	VIS 4*16 MM A4 (*5)	1	17	R0540400	POIGNEE PMS295	1
3	R0589100	COQUE CPLTE 2WD II BLEUE	1	18	R0636100	JANTE PETITE R9022 ZODIAC	2
4	R0517500	GUIDE FLUX	1	19	R0636001	JANTE GDE R9022 ZODIAC	2
5	R0517600	GRILLE MOTEUR	1	20	R0637300	COFFRET COMMANDE TYPE 5V	1
6	R0517000	HELICE V	1	21	R0637800	BLOC MOTEUR TYPE A	1
7	R0517400	SUPPORT BROSSE (*2)	1	22	R0564900	PIECES ACCESSOIRE CHARIOT	1
8	R0565000	POIGNEE CHARIOT	1	23	R0636300	BANDAGE ARR NOIR ZODIAC	2
9	R0565200	TUBE CHARIOT	1	24	R0636700	PALIER ROUE ZODIAC	4
10	R0518700	PONTET BROSSE BLEU	1	25	R0564800	EMBASE CHARIOT	1
11	R0565100	ROUES CHARIOT (*2)	1	26	R0635900	BROSSE TYPE 1 PMS295 ZODIAC (*2)	1
12	R0567800	GOUPILLE 3*16 MM (*5)	1	27	R0567900	LIEN SERRAGE CABLE FLOTT (*5)	1
13	R0565600	CONNECTEUR 4 PTS	1	28	R0518800	PIGNON 27 DENTS (*2)	1

CODE **WR000042**DESCRIPTION: **RV 4310 TILE**

14	R0636400	BANDAGE AVANT TILE ZODIAC	2	29	R0518100	BUMPER A ROULETTE(*2)	1
15	R0544700	TRAPPE BLEUE	1	30	R0636600	FILTRE DEBRIS FIN 100µ V	1
31	R0517700	SUPPORT FILTRE V	1	36	R0638900	VIS 4*25 MM (*5)	1
32	R0517200	TRANSMISSION	2	37	R0639000	PIGNON 17 DENTS (*2)	1
33	R0638700	VERROU TRAPPE PMS108	1	38	R0639100	PALIER EXTERIEUR (*2)	1
34	R0519000	RAMPE	1	39	R0639200	VIS 2.9*9.5 MM (*5)	1
35	R0516700	VIS 4*12 MM (X5)	1	40	R0564500	VIS 2,2*6,5 MM (X5)	1

CODE **WR000042**

DESCRIPTION: **RV 4310 TILE**



**ENGLISH**

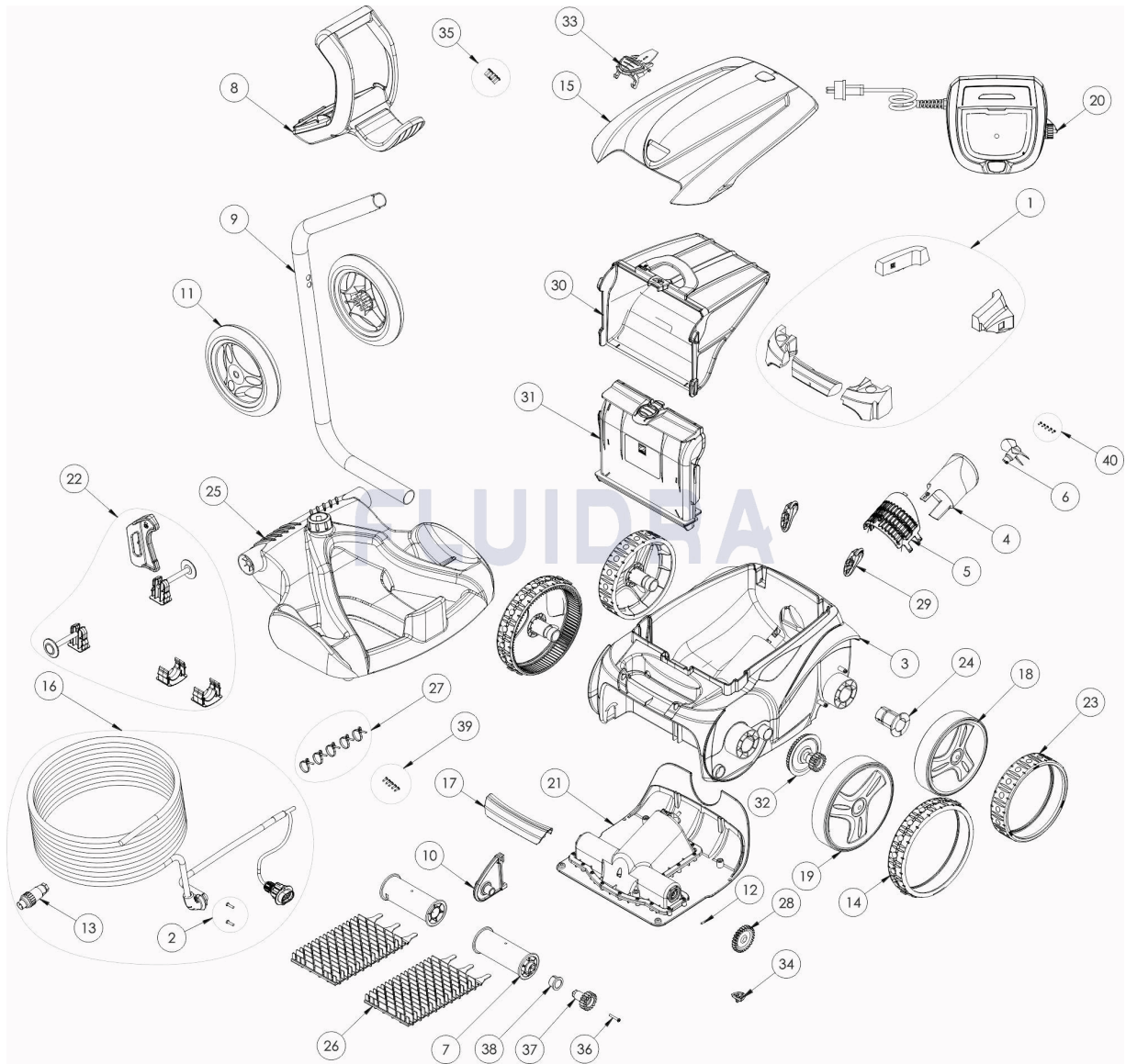
POS	CODE	DESCRIPTION	QUANTITY	POS	CODE	DESCRIPTION	QUANTITY
1	R0539700	FLOAT	1	16	R0516800	FLOATING CABLE 18M	1
2	R0608500	SCREW 4*16MM (set of 5)	1	17	R0540400	HANDLE BLUE	1
3	R0589100	MAIN HOUSING 2WD II	1	18	R0636100	RIM REAR R9022 ZODIAC	2
4	R0517500	FLOW OUTLET	1	19	R0636001	RIM LARGE R9022 ZODIAC	2
5	R0517600	MOTOR SCREEN	1	20	R0637300	CONTROL UNIT TYPE 5V	1
6	R0517000	PROPELLER	1	21	R0637800	MOTOR BLOCK TYPE A	1
7	R0517400	BRUSH ROLLER	1	22	R0564900	TROLLEY ACCESSORIES	1
8	R0565000	TROLLEY HANDLE	1	23	R0636300	TIRE REAR BLACK ZODIAC	2
9	R0565200	TROLLEY TUBE	1	24	R0636700	WHEEL BUSHING ZODIAC	4
10	R0518700	ROLLER SUPPORT	1	25	R0564800	TROLLEY BASE	1
11	R0565100	TROLLEY WHEELS (*2)	1	26	R0635900	ZODIAC BRUSH (SET OF 2)	1
12	R0567800	MOTOR BLOCK SHAFT PIN (SET OF 5)	1	27	R0567900	FLOATING CABLE CLAMP (SET OF 5)	1
13	R0565600	FLOATING CABLE PLUG	1	28	R0518800	DRIVE GEAR (SET OF 2)	1

CODE **WR000042**DESCRIPTION: **RV 4310 TILE**

14	R0636400	TIRE LARGE TILE ZODIAC	2	29	R0518100	ROLLER (SET OF 2)	1
15	R0544700	HOOD BLUE	1	30	R0636600	FINE FILTER V	1
31	R0517700	FILTER CANISTER SUPPORT	1	36	R0638900	SCREW 4*25 MM (SET OF 5)	1
32	R0517200	TRANSMISSION	2	37	R0639000	17 GEAR (*2)	1
33	R0638700	COVER LATCH GRIP PMS108	1	38	R0639100	OUTER BEARING (*2)	1
34	R0519000	RAMPE	1	39	R0639200	SCREW 2.9*9.5 MM (SET OF 5)	1
35	R0516700	SCREWS 4*12 MM (X5)	1	40	R0564500	SCREWS 2,2*6,5 MM (X5)	1



CODICE **WR000042**

 DESCRIZIONE: **RV 4310 TILE**

**ITALIANO**

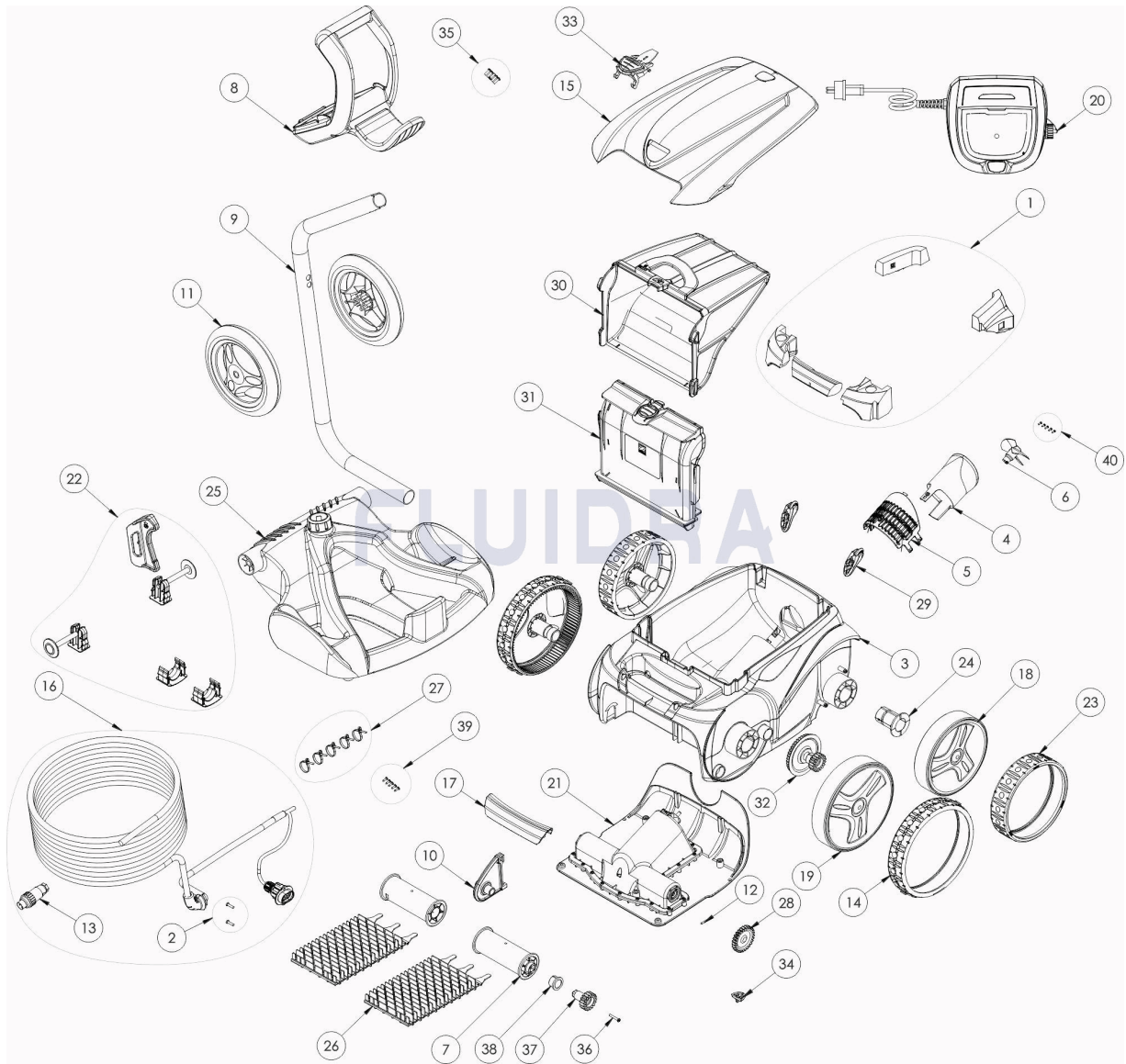
POS	CODICE	DESCRIZIONE	QUANTITA'	POS	CODICE	DESCRIZIONE	QUANTITA'
1	R0539700	FLOTTANTE COMPLETO	1	16	R0516800	CAVO GALLEGGIANTE 18M	1
2	R0608500	VITE 4*16 MM A4 (*5)	1	17	R0540400	MANIGLIA PMS295	1
3	R0589100	GUSCIO COMPLETO 2WD II BLU	1	18	R0636100	CERCHIO PICCOLO R9022 ZODIAC	2
4	R0517500	GUIDA FLUSSO	1	19	R0636001	CERCHIO GRANDE R9022 ZODIAC	2
5	R0517600	GRIGLIA	1	20	R0637300	QUADRO COMANDI TIPO 5V	1
6	R0517000	ELICA	1	21	R0637800	BLOCCO MOTORE TIPO A	1
7	R0517400	SUPPORTO SPAZZOLA (*2)	1	22	R0564900	PEZZI ACCESSORI CARRELLO	1
8	R0565000	MANIGLIA CARRELLO	1	23	R0636300	GOMMA POSTERIORE NERA ZODIAC	2
9	R0565200	TUBO CARRELLO	1	24	R0636700	CUSCINETTO RUOTA ZODIAC	4
10	R0518700	PONTICELLO SPAZZOLA BLU	1	25	R0564800	BASE CARRELLO	1
11	R0565100	RUOTE CARRELLO (*2)	1	26	R0635900	SPAZZOLA TIPO 1PMS295 ZODIAC (*2)	1
12	R0567800	COPIGLIA 3*16 MM (*5)	1	27	R0567900	SET 5 PINZE PER FLOTTANTI	1
13	R0565600	CONNETTORE CAVO	1	28	R0518800	KIT 2 PIGNONE 27 DENTI	1

CODICE **WR000042**DESCRIZIONE: **RV 4310 TILE**

14	R0636400	GOMMA ANTERIORE TILE ZODIAC	2	29	R0518100	PARAURTI A ROTELLA (*2)	1
15	R0544700	PORTELLO BLU	1	30	R0636600	FILTRO DETRITI SOTTILI	1
31	R0517700	SUPPORTO FILTRO V	1	36	R0638900	VITE 4*25 MM (*5)	1
32	R0517200	TRASMISSIONE	2	37	R0639000	KIT 2 PIGNONE 17 DENTI	1
33	R0638700	BLOCCO IMPUGNATURA COPERCHIO PME	1	38	R0639100	CUSCINETTO ESTERIORE (*2)	1
34	R0519000	RAMPE	1	39	R0639200	KIT 5 VITI 2.9*9.5 MM	1
35	R0516700	VITE 4*12 MM (*5)	1	40	R0564500	VITE 2.2*6,5 MM (*5)	1



CODE **WR000042**

 BESCHREIBUNG: **RV 4310 TILE**


## DEUTSCH

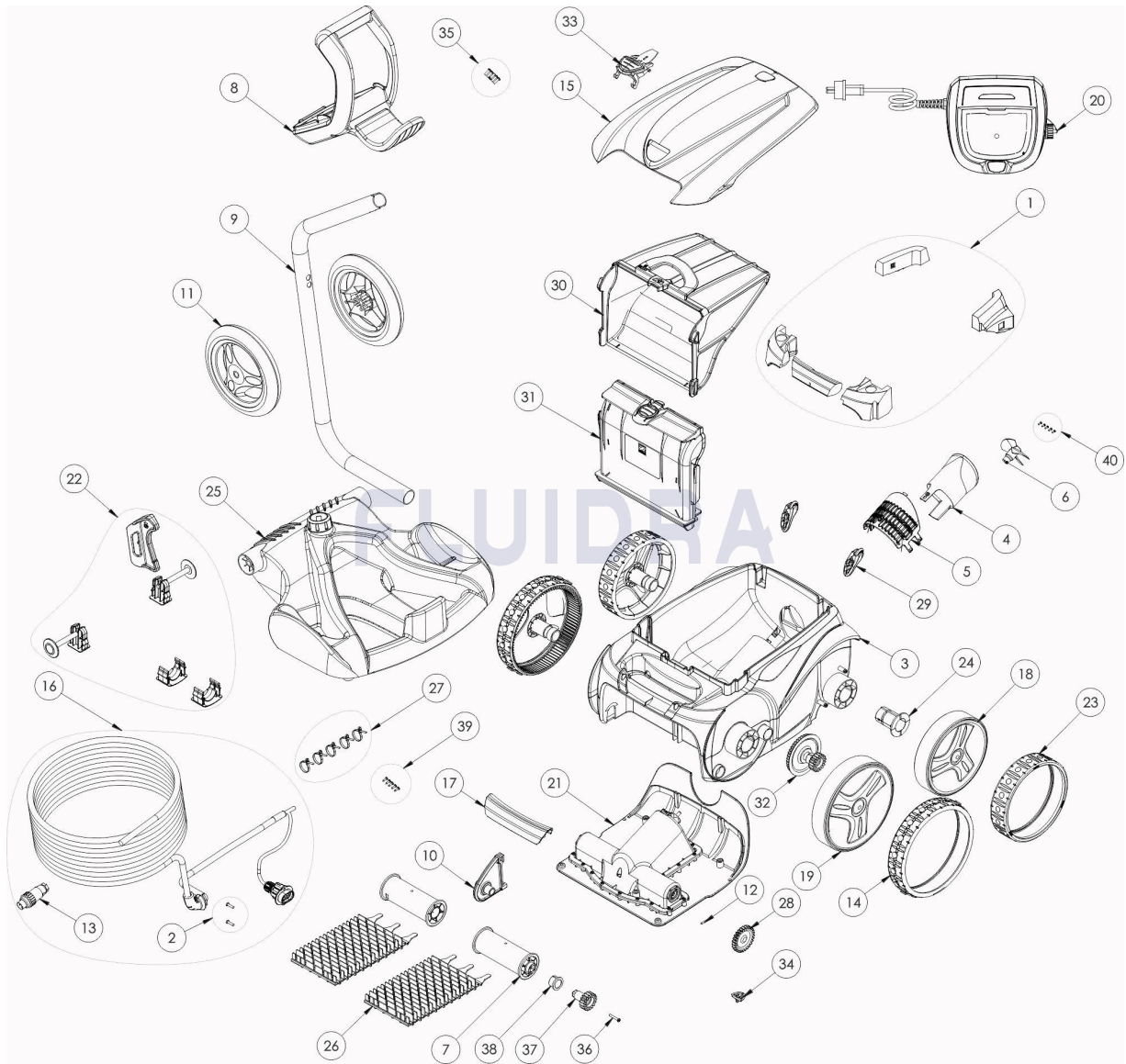
POS	CODE	BESCHREIBUNG	MENGE	POS	CODE	BESCHREIBUNG	MENGE
1	R0539700	SCHWIMMKÖRPER, KOMPLET EC	1	16	R0516800	SCHWIMMKABEL KOMPLETT 18M	1
2	R0608500	SCHRAUBE 4 * 16 MM, A4 (SET mit 5 Stk.)	1	17	R0540400	GRIFSTÜCK BLAU PMS295	1
3	R0589100	GEHÄUSE 2WD II BLAU	1	18	R0636100	FELGE KLEIN, HINTEN, R9022	2
4	R0517500	STRÖMUNGSDÜSE	1	19	R0636001	FELGE GROß, VORNE, R9022	2
5	R0517600	SCHUTZGITTER	1	20	R0637300	STEUERBOX TYP 5V	1
6	R0517000	TURBINE	1	21	R0637800	MOTORBLOCK TYP A	1
7	R0517400	BÜRSTENWALZE (SET mit 2 Stk.)	1	22	R0564900	ZUBEHÖR CADDY	1
8	R0565000	HANDGRIFF CADDY	1	23	R0636300	HINTERREIFEN SCHWARZ	2
9	R0565200	STANDROHR FÜR CADDY	1	24	R0636700	RADBÜCHSE EC	4
10	R0518700	BÜRSTENANKER, BLAU	1	25	R0564800	BODENPLATTE CADDY	1
11	R0565100	RÄDER CADDY (SET mit 2 Stk.)	1	26	R0635900	BÜRSTEN TYP 1 PMS295 (SET mit 2 Stk.)	1
12	R0567800	SPLINT FÜR KREUZZAPFENANTRIEB (SET	1	27	R0567900	KLEMME FÜR SCHWIMMKABEL (SET mit 5 Stk.)	1
13	R0565600	SCHWIMMKABEL STECKER (4 PTS)	1	28	R0518800	ZAHNRAD 27 ZÄHNE (SET mit 2 Stk.)	1

CODE **WR000042**BESCHREIBUNG: **RV 4310 TILE**

14	R0636400	REIFEN GROß FÜR FLIEßEN (NOPPENREIF	2	29	R0518100	STOSSFÄNGER MIT ROLLER (SET mit 2 Stk	1
15	R0544700	GEHÄUSEDECKEL, BLAU	1	30	R0636600	FILTER FEIN 100µ	1
31	R0517700	DECKEL FILTERKORB	1	36	R0638900	SCHRAUBE 4 * 25 MM, A2 (SET mit 5 Stk.)	1
32	R0517200	GETRIEBE	2	37	R0639000	ZAHNRAD 17 ZÄHNE (SET mit 2 Stk.)	1
33	R0638700	GEHÄUSERIGEL, PMS108	1	38	R0639100	ZAHNRADBUCHSE (SET mit 2 Stk.)	1
34	R0519000	ABLEITRAMPE	1	39	R0639200	ZYLINDERKOPFSCHRAUBE 2,9 * 9,5 MM (SI	1
35	R0516700	SCHRAUBE 4 * 12 MM(SET mit 5 Stk.)	1	40	R0564500	SCHRAUBE 2,2 * 6,5 MM (SET mit 5 Stk.)	1

CODIGO **WR000042**

DESCRIÇÃO: RV 4310 TILE



**PORTUGUES**

POS	CODIGO	DESCRIÇÃO	JANTIDADE	POS	CODIGO	DESCRIÇÃO	JANTIDADE
1	R0539700	FLUTUADOR	1	16	R0516800	CABO FLUTUANTE 18M	1
2	R0608500	PARAFUSO 4*16 MM A4 (Pack 5 UN)	1	17	R0540400	PEGA PMS295	1
3	R0589100	ESTRUTURA COMPLETA 2WD II AZUL	1	18	R0636100	ARO PEQUENO R9022 ZODIAC	2
4	R0517500	CANALIZADOR DE FLUXO	1	19	R0636001	ARO GRANDE R9022 ZODIAC	2
5	R0517600	TELA PROTECÇÃO	1	20	R0637300	UNIDADE DE CONTROLO TIPO 5V	1
6	R0517000	HÉLICE	1	21	R0637800	BLOCO MOTOR TIPO A	1
7	R0517400	ROLO PORTA-ESCOVAS (Pack 2 UN)	1	22	R0564900	KIT ACCESÓRIOS CARRO	1
8	R0565000	PEGA CARRO DE TRANSPORTE	1	23	R0636300	CAPA DE RODA TRASEIRAPRETA ZODIAC	2
9	R0565200	TUBO CARRO DE TRANSPORTE	1	24	R0636700	TAMPA DO ROLAMENTO DA RODA	4
10	R0518700	CLIP FIXAÇÃO ROLOS AZUL	1	25	R0564800	BASE CARRO DE TRANSPORTE	1
11	R0565100	RODAS CARRO DE TRANSPORTE	1	26	R0635900	ESCOVAS ZODIAC (Pack 2 UN)	1
12	R0567800	CLIP FIXADOR 3*16 MM (Pack 5 UN)	1	27	R0567900	ABRAÇADEIRA CABO FLUTUANTE	1
13	R0565600	LIGAÇÃO DE CABO 4 PINS	1	28	R0518800	RODA DENTADA 27 DENTES (Pack 2 UN)	1

CODIGO **WR000042**DESCRIÇÃO: **RV 4310 TILE**

14	R0636400	CAPA DE RODA DIANTEIRA	2	29	R0518100	PÁRA-CHOQUES CON RODAS (Pack 2 UN)	1
15	R0544700	TAMPA AZUL	1	30	R0636600	FILTRO RESÍDUOS FINOS 100µ V	1
31	R0517700	SUPORTE FILTRO	1	36	R0638900	PARAFUSO 4*25 MM (Pack 5 UN)	1
32	R0517200	CJTO.TRANSMISSÃO	2	37	R0639000	RODA DENTADA 17 DENTES (Pack 2 UN)	1
33	R0638700	FECHO DA TAMPA PMS108	1	38	R0639100	TAMPA EXTERIOR (Pack 2 UN)	1
34	R0519000	RAMPA	1	39	R0639200	PARAFUSO 2.9*9.5 MM (Pack 5 UN)	1
35	R0516700	PARAFUSO 4*12 MM (Pack 5 UN)	1	40	R0564500	PARAFUSO 2.2*6,5mm (Pack 5 UN)	1