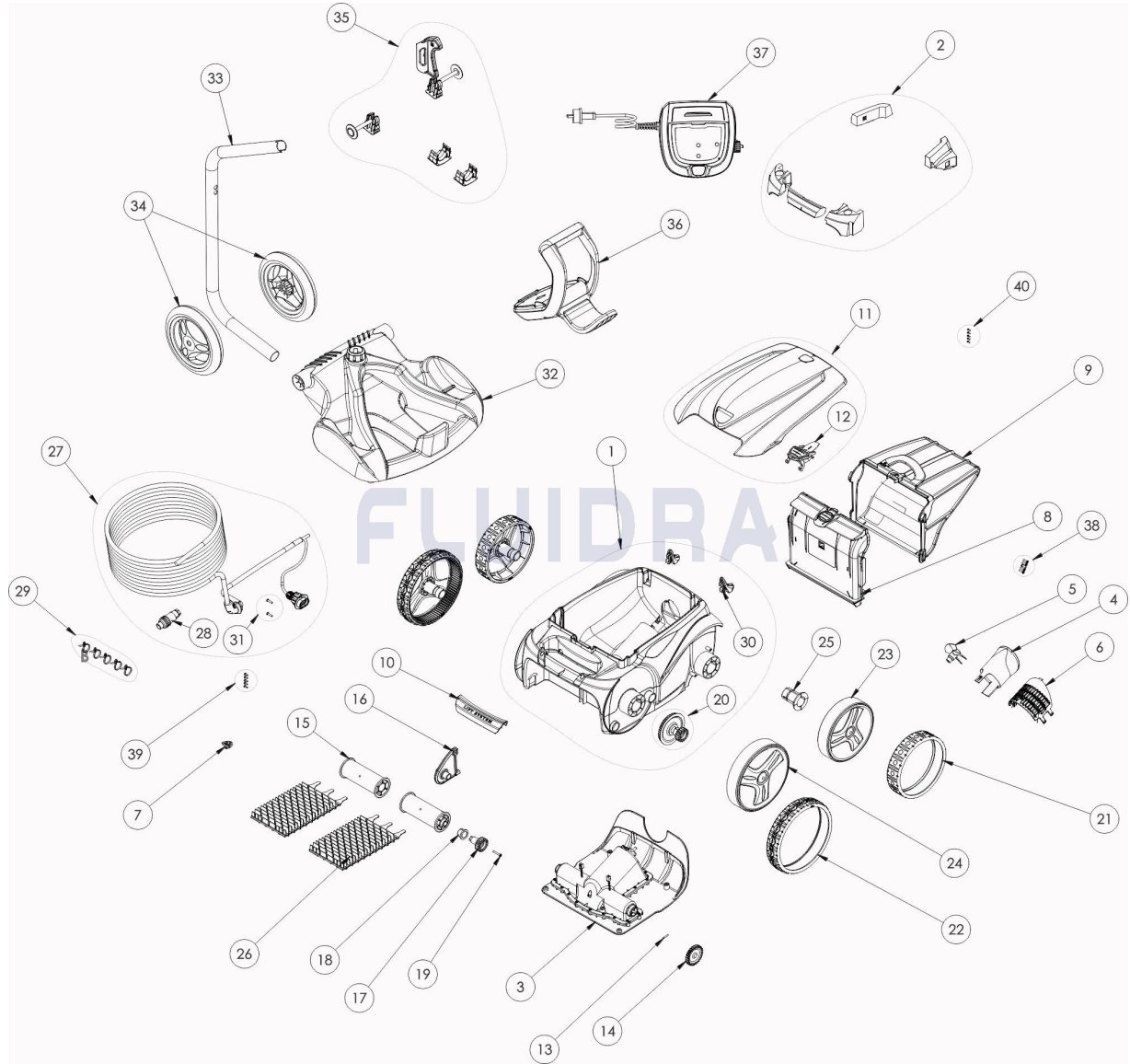


CODIGO **WR000075**

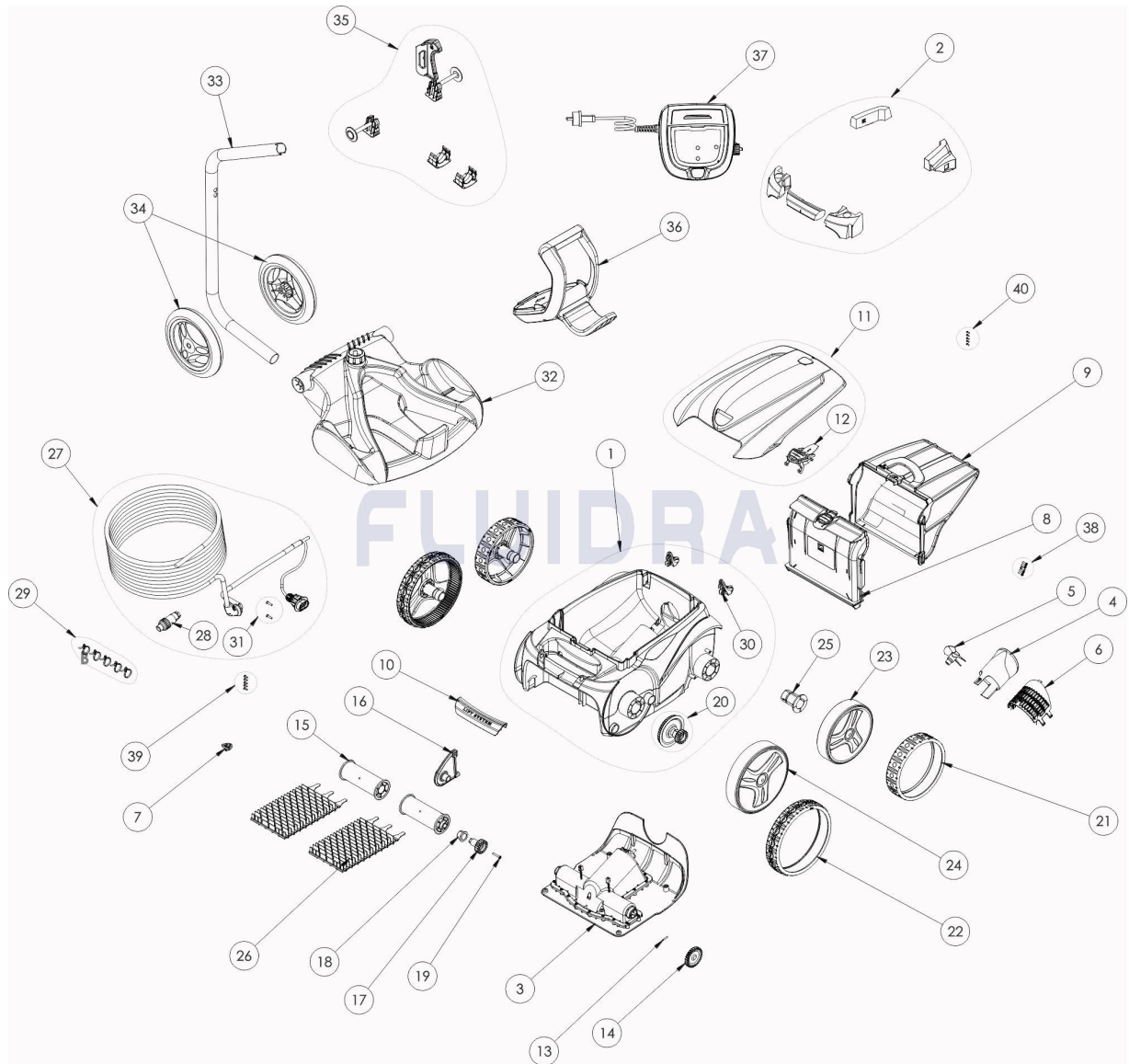
 DESCRIPCION: **RV 4430**

ESPAÑOL

| POS | CODIGO | DESCRIPCION | CANTIDAD | POS | CODIGO | DESCRIPCION | CANTIDAD |
|-----|----------|----------------------------------|----------|-----|----------|------------------------------------|----------|
| 1 | R0589103 | CARCASA COMPLETA 2WD II PMS7712 | 1 | 16 | R0518703 | CLIP FIJACIÓN DE RODILLOS PMS7712 | 1 |
| 2 | R0539700 | FLOTADOR | 1 | 17 | R0639000 | PIÑÓN 17 DIENTES (Pack 2 UN) | 1 |
| 3 | R0637800 | BLOQUE MOTOR TIPO A | 1 | 18 | R0639100 | CASQUILLO EXTERIOR (Pack 2 UN) | 2 |
| 4 | R0517500 | CANALIZADOR DE FLUJO | 1 | 19 | R0638900 | TORNILLO 4*25 MM (Pack 5 UN) | 2 |
| 5 | R0517000 | HÉLICE | 1 | 20 | R0517200 | CJTO. TRANSMISIÓN | 1 |
| 6 | R0517600 | MALLA PROTECCIÓN | 1 | 21 | R0636300 | CUBIERTA DE RUEDA TRASERA NEGRA ZO | 1 |
| 7 | R0519000 | RAMPA | 1 | 22 | R0636201 | CUBIERTA GD NEGRA ZODIAC | 1 |
| 8 | R0517700 | SOPORTE FILTRO | 1 | 23 | R0636100 | LLANTA PEQUEÑA R9022 ZODIAC | 1 |
| 9 | R0636600 | FILTRO RESIDUOS FINOS 100µ V | 1 | 24 | R0636001 | LLANTA GRANDE R9022 ZODIAC | 4 |
| 10 | R0636502 | EMPUÑADURA PMS2010 LS | 1 | 25 | R0636700 | CASQUILLO COJINETE RUEDA ZODIAC | 1 |
| 11 | R0718500 | TAPA WHITE PMS2010 | 1 | 26 | R0635904 | CEPILLOS TIPO 1 R9022 ZODIAC (*2) | 1 |
| 12 | R0638702 | CIERRE TAPA PMS2010 | 1 | 27 | R0516800 | CABLE FLOTANTE 18M | 1 |
| 13 | R0567800 | CLIP FIJADOR 3*16 MM (Pack 5 UN) | 1 | 28 | R0565600 | CONECTOR DE CABLE 4 PINS | 1 |

CODIGO **WR000075**DESCRIPCION: **RV 4430**

| | | | | | | | |
|----|----------|------------------------------------|---|----|----------|-------------------------------------|---|
| 14 | R0518800 | PIÑÓN 27 DIENTES (Pack 2 UN) | 2 | 29 | R0567900 | ABRAZADERAS CABLE FLOTANTE (Pack 5 | 1 |
| 15 | R0517400 | RODILLO PORTACEPILLOS (Pack 2 UN) | 2 | 30 | R0518100 | PARACHOQUES CON RUEDAS (Pack 2 UN) | 1 |
| 31 | R0608500 | TORNILLO 4*16 MM (PACK DE 5 UN | 1 | 36 | R0565000 | EMPUÑADURA CARRO DE TRANSPORTE | 1 |
| 32 | R0564800 | BASE CARRO DE TRANSPORTE | 2 | 37 | R0636900 | UNIDAD DE CONTROL TIPO 1V | 1 |
| 33 | R0565200 | TUBO CARRO DE TRANSPORTE | 1 | 38 | R0516700 | TORNILLO 4*12 MM (PACK DE 5 UN.) | 1 |
| 34 | R0565100 | RUEDAS CARRO DE TRANSPORTE (Pack 2 | 1 | 39 | R0639200 | TORNILLO 2.9*9.5 MM (Pack 5 UN) | 1 |
| 35 | R0564900 | KIT ACCESORIOS CARRO | 1 | 40 | R0564500 | TORNILLO 2,2*6,5 MM (5 UN.) | 1 |

CODE **WR000075**

 DESCRIPTION: **RV 4430**


FRANCAIS

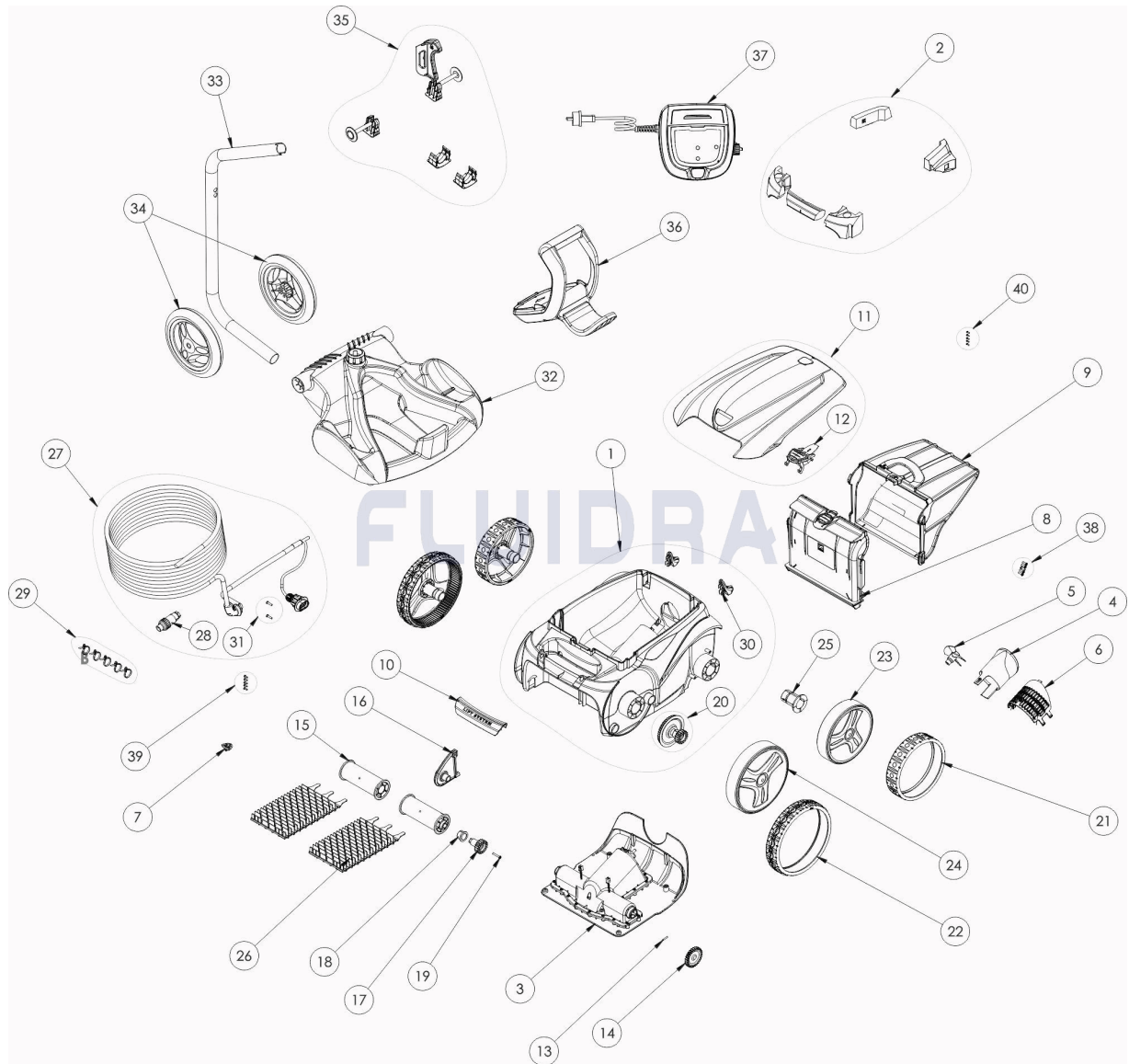
| POS | CODE | DESCRIPTION | QUANTITE | POS | CODE | DESCRIPTION | QUANTITE |
|-----|----------|----------------------------|----------|-----|----------|-----------------------------------|----------|
| 1 | R0589103 | COQUE CPLTE 2WD II PMS7712 | 1 | 16 | R0518703 | PONTET BROSSE PMS7712 | 1 |
| 2 | R0539700 | FLOTTEUR COMPLET | 1 | 17 | R0639000 | PIGNON 17 DENTS (*2) | 1 |
| 3 | R0637800 | BLOC MOTEUR TYPE A | 1 | 18 | R0639100 | PALIER EXTERIEUR (*2) | 2 |
| 4 | R0517500 | GUIDE FLUX | 1 | 19 | R0638900 | VIS 4*25 MM (*5) | 2 |
| 5 | R0517000 | HELICE V | 1 | 20 | R0517200 | TRANSMISSION | 1 |
| 6 | R0517600 | GRILLE MOTEUR | 1 | 21 | R0636300 | BANDAGE ARR NOIR ZODIAC | 1 |
| 7 | R0519000 | RAMPE | 1 | 22 | R0636201 | BANDAGE GD NOIR ZODIAC | 1 |
| 8 | R0517700 | SUPPORT FILTRE V | 1 | 23 | R0636100 | JANTE PETITE R9022 ZODIAC | 1 |
| 9 | R0636800 | FILTRE DEBRIS FIN 100µ V | 1 | 24 | R0636001 | JANTE GDE R9022 ZODIAC | 4 |
| 10 | R0636502 | POIGNEE PMS2010 LS | 1 | 25 | R0636700 | PALIER ROUE ZODIAC | 1 |
| 11 | R0718500 | TRAPPE BLANC PMS2010 | 1 | 26 | R0635904 | BROSSE TYPE 1 R9022 ZODIAC (*2) | 1 |
| 12 | R0638702 | VERROU TRAPPE PMS2010 | 1 | 27 | R0516800 | CABLE FLOTTANT 18M | 1 |
| 13 | R0567800 | GOUPILLE 3*16 MM (*5) | 1 | 28 | R0565600 | CONNECTEUR 4 PTS | 1 |

CODE **WR000075**DESCRIPTION: **RV 4430**

| | | | | | | | |
|----|----------|---------------------------|---|----|----------|-------------------------------|---|
| 14 | R0518800 | PIGNON 27 DENTS (*2) | 2 | 29 | R0567900 | LIEN SERRAGE CABLE FLOTT (*5) | 1 |
| 15 | R0517400 | SUPPORT BROSE (*2) | 2 | 30 | R0518100 | BUMPER A ROULETTE(*2) | 1 |
| 31 | R0608500 | VIS 4*16 MM A4 (*5) | 1 | 36 | R0565000 | POIGNEE CHARIOT | 1 |
| 32 | R0564800 | EMBASE CHARIOT | 2 | 37 | R0636900 | COFFRET COMMANDE TYPE 1V | 1 |
| 33 | R0565200 | TUBE CHARIOT | 1 | 38 | R0516700 | VIS 4*12 MM (X5) | 1 |
| 34 | R0565100 | ROUES CHARIOT (*2) | 1 | 39 | R0639200 | VIS 2.9*9.5 MM (*5) | 1 |
| 35 | R0564900 | PIECES ACCESSOIRE CHARIOT | 1 | 40 | R0564500 | VIS 2,2*6,5 MM (X5) | 1 |

CODE **WR000075**

DESCRIPTION: **RV 4430**



ENGLISH

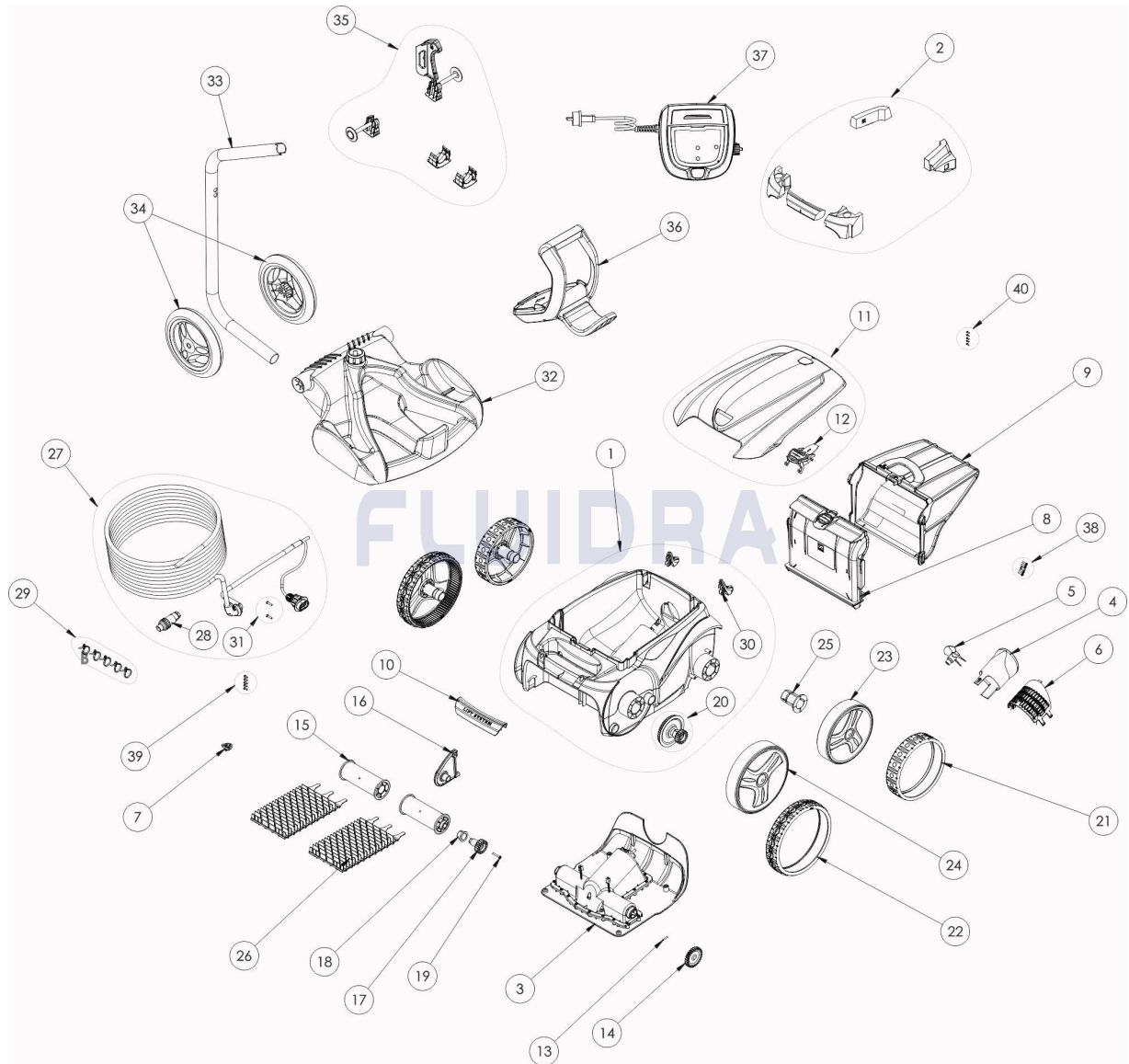
| POS | CODE | DESCRIPTION | QUANTITY | POS | CODE | DESCRIPTION | QUANTITY |
|-----|----------|----------------------------------|----------|-----|----------|--------------------------------|----------|
| 1 | R0589103 | MAIN BODY 2WD II PMS7712 | 1 | 16 | R0518703 | ROLLER SUPPORT PMS7712 | 1 |
| 2 | R0539700 | FLOAT | 1 | 17 | R0639000 | 17 GEAR (*2) | 1 |
| 3 | R0637800 | MOTOR BLOCK TYPE A | 1 | 18 | R0639100 | OUTER BEARING (*2) | 2 |
| 4 | R0517500 | FLOW OUTLET | 1 | 19 | R0638900 | SCREW 4*25 MM (SET OF 5) | 2 |
| 5 | R0517000 | PROPELLER | 1 | 20 | R0517200 | TRANSMISSION | 1 |
| 6 | R0517600 | MOTOR SCREEN | 1 | 21 | R0636300 | TIRE REAR BLACK ZODIAC | 1 |
| 7 | R0519000 | RAMPE | 1 | 22 | R0636201 | TIRE LARGE BLACK ZODIAC | 1 |
| 8 | R0517700 | FILTER CANISTER SUPPORT | 1 | 23 | R0636100 | RIM REAR R9022 ZODIAC | 1 |
| 9 | R0636600 | FINE FILTER V | 1 | 24 | R0636001 | RIM LARGE R9022 ZODIAC | 4 |
| 10 | R0636502 | HANDLE PMS2010 LS | 1 | 25 | R0636700 | WHEEL BUSHING ZODIAC | 1 |
| 11 | R0718500 | HOOD WHITE PMS2010 | 1 | 26 | R0635904 | BRUSH TYPE 1 R9022 ZODIAC (*2) | 1 |
| 12 | R0638702 | COVER LATCH GRIP PMS2010 | 1 | 27 | R0516800 | FLOATING CABLE 18M | 1 |
| 13 | R0567800 | MOTOR BLOCK SHAFT PIN (SET OF 5) | 1 | 28 | R0565600 | FLOATING CABLE PLUG | 1 |

CODE **WR000075**

 DESCRIPTION: **RV 4430**

| | | | | | | | |
|----|----------|-------------------------|---|----|----------|---------------------------------|---|
| 14 | R0518800 | DRIVE GEAR (SET OF 2) | 2 | 29 | R0567900 | FLOATING CABLE CLAMP (SET OF 5) | 1 |
| 15 | R0517400 | BRUSH ROLLER | 2 | 30 | R0518100 | ROLLER (SET OF 2) | 1 |
| 31 | R0608500 | SCREW 4*16MM (set of 5) | 1 | 36 | R0565000 | TROLLEY HANDLE | 1 |
| 32 | R0564800 | TROLLEY BASE | 2 | 37 | R0636900 | CONTROL UNIT TYPE 1V | 1 |
| 33 | R0565200 | TROLLEY TUBE | 1 | 38 | R0516700 | SCREWS 4*12 MM (X5) | 1 |
| 34 | R0565100 | TROLLEY WHEELS (*2) | 1 | 39 | R0639200 | SCREW 2.9*9.5 MM (SET OF 5) | 1 |
| 35 | R0564900 | TROLLEY ACCESSORIES | 1 | 40 | R0564500 | SCREWS 2,2*6,5 MM (X5) | 1 |

CODICE **WR000075**

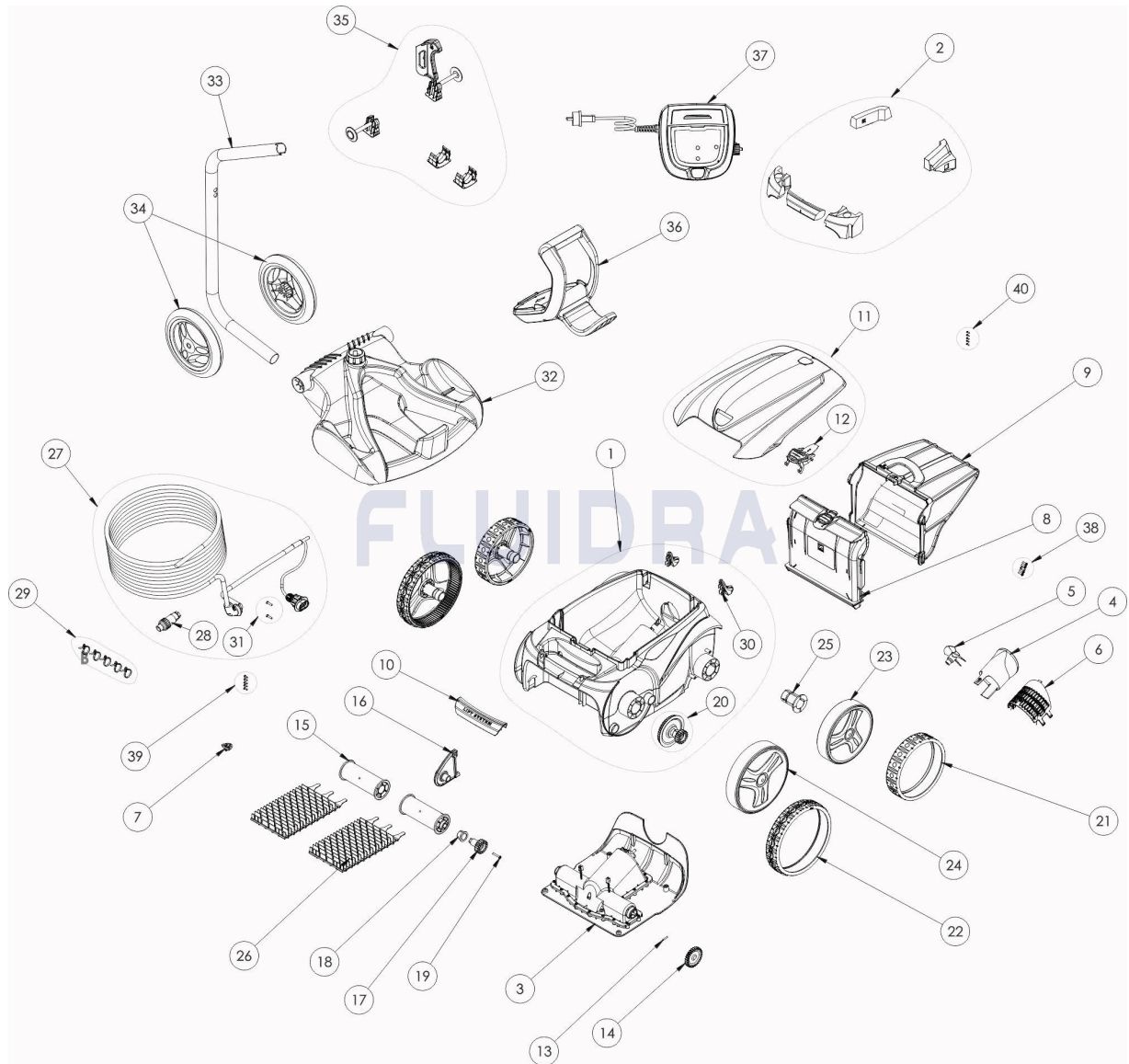
 DESCRIZIONE: **RV 4430**

ITALIANO

| POS | CODICE | DESCRIZIONE | QUANTITA' | POS | CODICE | DESCRIZIONE | QUANTITA' |
|-----|----------|----------------------------------|-----------|-----|----------|-----------------------------------|-----------|
| 1 | R0589103 | GUSCIO COMPLETO 2WD II PMS7712 | 1 | 16 | R0518703 | PONTICELLO SPAZZOLA PMS7712 | 1 |
| 2 | R0539700 | FLOTTANTE COMPLETO | 1 | 17 | R0639000 | KIT 2 PIGNONE 17 DENTI | 1 |
| 3 | R0637800 | BLOCCO MOTORE TIPO A | 1 | 18 | R0639100 | CUSCINETTO ESTERIORE (*2) | 2 |
| 4 | R0517500 | GUIDA FLUSSO | 1 | 19 | R0638900 | VITE 4*25 MM (*5) | 2 |
| 5 | R0517000 | ELICA | 1 | 20 | R0517200 | TRASMISSIONE | 1 |
| 6 | R0517600 | GRIGLIA | 1 | 21 | R0636300 | GOMMA POSTERIORE NERA ZODIAC | 1 |
| 7 | R0519000 | RAMPE | 1 | 22 | R0636201 | GOMMA GRANDE NERA ZODIAC | 1 |
| 8 | R0517700 | SUPPORTO FILTRO V | 1 | 23 | R0636100 | CERCHIO PICCOLO R9022 ZODIAC | 1 |
| 9 | R0636800 | FILTRO DETRITI SOTTILI | 1 | 24 | R0636001 | CERCHIO GRANDE R9022 ZODIAC | 4 |
| 10 | R0636502 | MANIGLIA PMS2010 LS | 1 | 25 | R0636700 | CUSCINETTO RUOTA ZODIAC | 1 |
| 11 | R0718500 | PORTELLO WHITE PMS2010 | 1 | 26 | R0635904 | SPAZZOLA TIPO 1 R9022 ZODIAC (*2) | 1 |
| 12 | R0638702 | BLOCCO IMPUGNATURA COPERCHIO PMS | 1 | 27 | R0516800 | CAVO GALLEGGIANTE 18M | 1 |
| 13 | R0567800 | COPIGLIA 3*16 MM (*5) | 1 | 28 | R0565600 | CONNETTORE CAVO | 1 |

CODICE **WR000075**DESCRIZIONE: **RV 4430**

| | | | | | | | |
|----|----------|--------------------------|---|----|----------|---------------------------|---|
| 14 | R0518800 | KIT 2 PIGNONE 27 DENTI | 2 | 29 | R0567900 | SET 5 PINZE PER FLOTTANTI | 1 |
| 15 | R0517400 | SUPPORTO SPAZZOLA (*2) | 2 | 30 | R0518100 | PARAURTI A ROTELLA (*2) | 1 |
| 31 | R0608500 | VITE 4*16 MM A4 (*5) | 1 | 36 | R0565000 | MANIGLIA CARRELLO | 1 |
| 32 | R0564800 | BASE CARRELLO | 2 | 37 | R0636900 | QUADRO COMANDI TIPO 1V | 1 |
| 33 | R0565200 | TUBO CARRELLO | 1 | 38 | R0516700 | VITE 4*12 MM (*5) | 1 |
| 34 | R0565100 | RUOTE CARRELLO (*2) | 1 | 39 | R0639200 | KIT 5 VITI 2.9*9.5 MM | 1 |
| 35 | R0564900 | PEZZI ACCESSORI CARRELLO | 1 | 40 | R0564500 | VITE 2.2*6,5 MM (*5) | 1 |

CODE **WR000075**

 BESCHREIBUNG: **RV 4430**


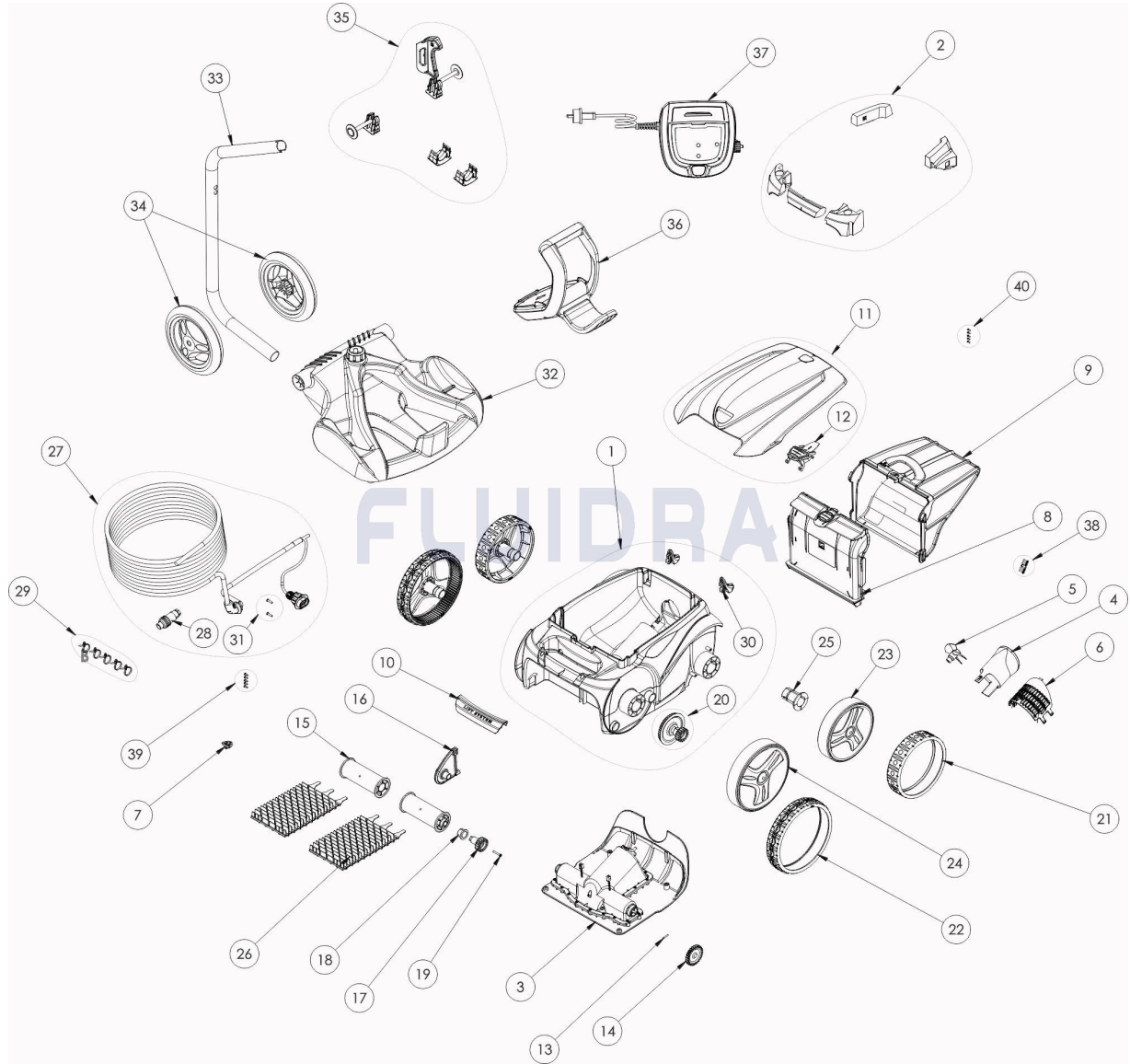
DEUTSCH

| POS | CODE | BESCHREIBUNG | MENGE | POS | CODE | BESCHREIBUNG | MENGE |
|-----|----------|------------------------------------|-------|-----|----------|---|-------|
| 1 | R0589103 | GEHÄUSE 2WD II PMS7712 | 1 | 16 | R0518703 | BÜRSTENANKER PMS7712 | 1 |
| 2 | R0539700 | SCHWIMMKÖRPER, KOMPLET EC | 1 | 17 | R0639000 | ZAHNRAD 17 ZÄHNE (SET mit 2 Stk.) | 1 |
| 3 | R0637800 | MOTORBLOCK TYP A | 1 | 18 | R0639100 | ZAHNRADBUCHSE (SET mit 2 Stk.) | 2 |
| 4 | R0517500 | STRÖMUNGSDÜSE | 1 | 19 | R0638900 | SCHRAUBE 4 * 25 MM, A2 (SET mit 5 Stk.) | 2 |
| 5 | R0517000 | TURBINE | 1 | 20 | R0517200 | GETRIEBE | 1 |
| 6 | R0517600 | SCHUTZGITTER | 1 | 21 | R0636300 | HINTERREIFEN SCHWARZ | 1 |
| 7 | R0519000 | ABLEITRAMPE | 1 | 22 | R0636201 | REIFEN GROß SCHWARZ | 1 |
| 8 | R0517700 | DECKEL FILTERKORB | 1 | 23 | R0636100 | FELGE KLEIN, HINTEN, R9022 | 1 |
| 9 | R0636800 | FILTER FEIN 100µ | 1 | 24 | R0636001 | FELGE GROß, VORNE, R9022 | 4 |
| 10 | R0636502 | GRIFFSTÜCK PMS2010 LS | 1 | 25 | R0636700 | RADBUCHSE EC | 1 |
| 11 | R0718500 | GEHÄUSEDECKEL WHITE PMS2010 | 1 | 26 | R0635904 | BÜRSTEN TYP 1 R9022 ZODIAC (*2) | 1 |
| 12 | R0638702 | GEHÄUSERIGEL PMS2010 | 1 | 27 | R0516800 | SCHWIMMKABEL KOMPLETT 18M | 1 |
| 13 | R0567800 | SPLINT FÜR KREUZZAPFENANTRIEB (SET | 1 | 28 | R0565600 | SCHWIMMKABEL STECKER (4 PTS) | 1 |

CODE **WR000075**BESCHREIBUNG: **RV 4430**

| | | | | | | | |
|----|----------|---|---|----|----------|--|---|
| 14 | R0518800 | ZAHNRAD 27 ZÄHNE (SET mit 2 Stk.) | 2 | 29 | R0567900 | KLEMME FÜR SCHWIMMKABEL (SET mit 5 Stk.) | 1 |
| 15 | R0517400 | BÜRSTENWALZE (SET mit 2 Stk.) | 2 | 30 | R0518100 | STOSSFÄNGER MIT ROLLER (SET mit 2 Stk.) | 1 |
| 31 | R0608500 | SCHRAUBE 4 * 16 MM, A4 (SET mit 5 Stk.) | 1 | 36 | R0565000 | HANDGRIFF CADDY | 1 |
| 32 | R0564800 | BODENPLATTE CADDY | 2 | 37 | R0636900 | STEUERBOX TYP 1V | 1 |
| 33 | R0565200 | STANDROHR FÜR CADDY | 1 | 38 | R0516700 | SCHRAUBE 4 * 12 MM (SET mit 5 Stk.) | 1 |
| 34 | R0565100 | RÄDER CADDY (SET mit 2 Stk.) | 1 | 39 | R0639200 | ZYLINDERKOPFSCHRAUBE 2,9 * 9,5 MM (SI) | 1 |
| 35 | R0564900 | ZUBEHÖR CADDY | 1 | 40 | R0564500 | SCHRAUBE 2,2 * 6,5 MM (SET mit 5 Stk.) | 1 |

CODIGO **WR000075**

 DESCRIÇÃO: **RV 4430**


PORTUGUES

| POS | CODIGO | DESCRIÇÃO | JANTIDADE | POS | CODIGO | DESCRIÇÃO | JANTIDADE |
|-----|----------|-----------------------------------|-----------|-----|----------|------------------------------------|-----------|
| 1 | R0589103 | ESTRUTURA COMPLETA 2WD II PMS7712 | 1 | 16 | R0518703 | CLIP FIXAÇÃO ROLOS PMS7712 | 1 |
| 2 | R0539700 | FLUTUADOR | 1 | 17 | R0639000 | RODA DENTADA 17 DENTES (Pack 2 UN) | 1 |
| 3 | R0637800 | BLOCO MOTOR TIPO A | 1 | 18 | R0639100 | TAMPA EXTERIOR (Pack 2 UN) | 2 |
| 4 | R0517500 | CANALIZADOR DE FLUXO | 1 | 19 | R0638900 | PARAFUSO 4*25 MM (Pack 5 UN) | 2 |
| 5 | R0517000 | HÉLICE | 1 | 20 | R0517200 | CJTO.TRANSMISSÃO | 1 |
| 6 | R0517600 | TELA PROTECÇÃO | 1 | 21 | R0636300 | CAPA DE RODA TRASEIRAPRETA ZODIAC | 1 |
| 7 | R0519000 | RAMPA | 1 | 22 | R0636201 | CAPA GD PRETA ZODIAC | 1 |
| 8 | R0517700 | SUPORTE FILTRO | 1 | 23 | R0636100 | ARO PEQUENO R9022 ZODIAC | 1 |
| 9 | R0636600 | FILTRO RESÍDUOS FINOS 100µ V | 1 | 24 | R0636001 | ARO GRANDE R9022 ZODIAC | 4 |
| 10 | R0636502 | PEGA PMS2010 LS | 1 | 25 | R0636700 | TAMPA DO ROLAMENTO DA RODA | 1 |
| 11 | R0718500 | TAMPA WHITE PMS2010 | 1 | 26 | R0635904 | ESCOVAS TIPO 1 R9022 ZODIAC (*2) | 1 |
| 12 | R0638702 | FECHO DA TAMPA PMS2010 | 1 | 27 | R0516800 | CABO FLUTUANTE 18M | 1 |
| 13 | R0567800 | CLIP FIXADOR 3*16 MM (Pack 5 UN) | 1 | 28 | R0565600 | LIGAÇÃO DE CABO 4 PINS | 1 |

CODIGO **WR000075**DESCRIÇÃO: **RV 4430**

| | | | | | | | |
|----|----------|------------------------------------|---|----|----------|------------------------------------|---|
| 14 | R0518800 | RODA DENTADA 27 DENTES (Pack 2 UN) | 2 | 29 | R0567900 | ABRAÇADEIRA CABO FLUTUANTE | 1 |
| 15 | R0517400 | ROLO PORTA-ESCOVAS (Pack 2 UN) | 2 | 30 | R0518100 | PÁRA-CHOQUES CON RODAS (Pack 2 UN) | 1 |
| 31 | R0608500 | PARAFUSO 4*16 MM A4 (Pack 5 UN) | 1 | 36 | R0565000 | PEGA CARRO DE TRANSPORTE | 1 |
| 32 | R0564800 | BASE CARRO DE TRANSPORTE | 2 | 37 | R0636900 | UNIDADE DE CONTROLO TIPO 1V | 1 |
| 33 | R0565200 | TUBO CARRO DE TRANSPORTE | 1 | 38 | R0516700 | PARAFUSO 4*12 MM (Pack 5 UN) | 1 |
| 34 | R0565100 | RODAS CARRO DE TRANSPORTE | 1 | 39 | R0639200 | PARAFUSO 2.9*9.5 MM (Pack 5 UN) | 1 |
| 35 | R0564900 | KIT ACCESÓRIOS CARRO | 1 | 40 | R0564500 | PARAFUSO 2.2*6,5mm (Pack 5 UN) | 1 |