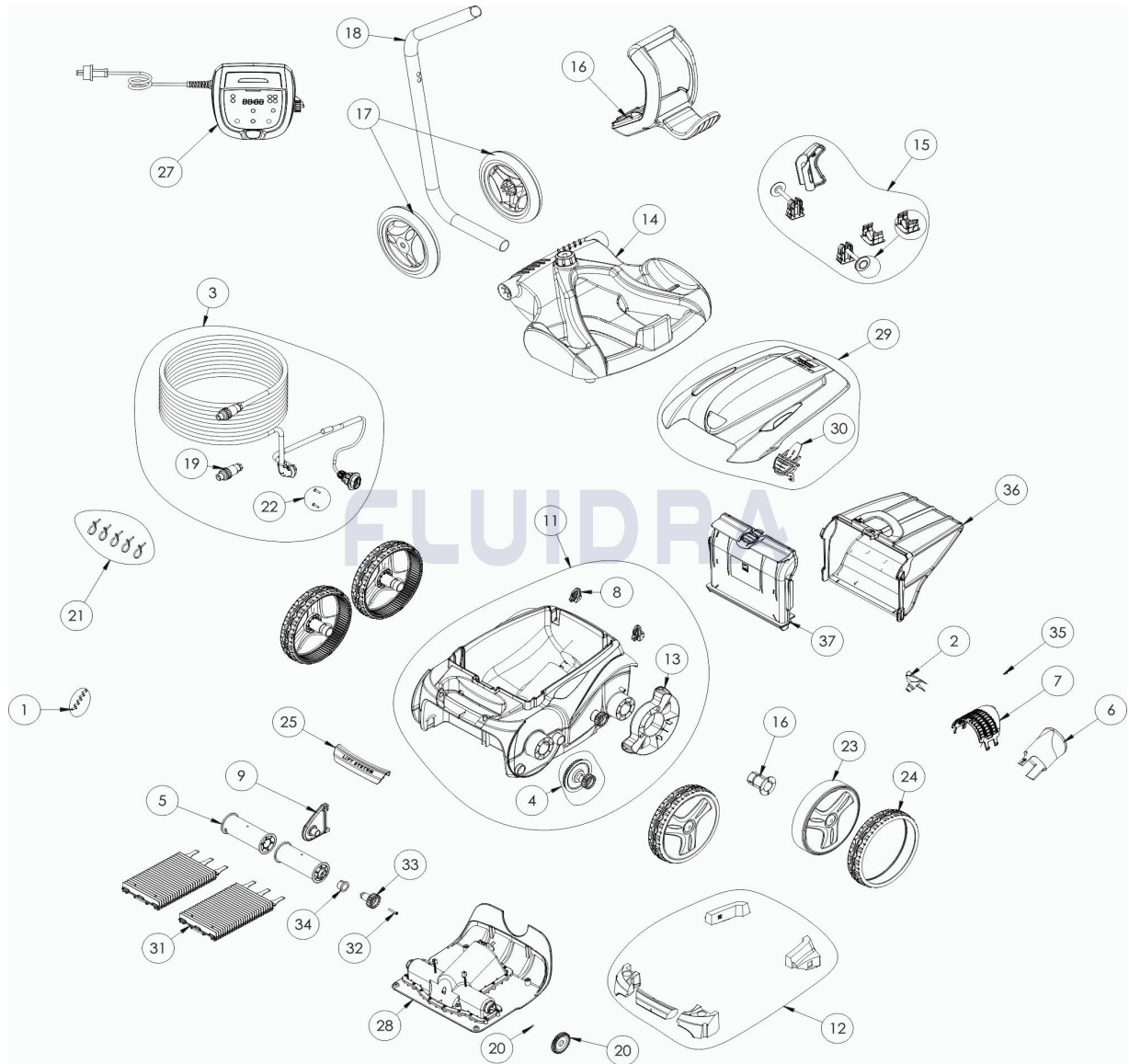


CODIGO **WR000032**

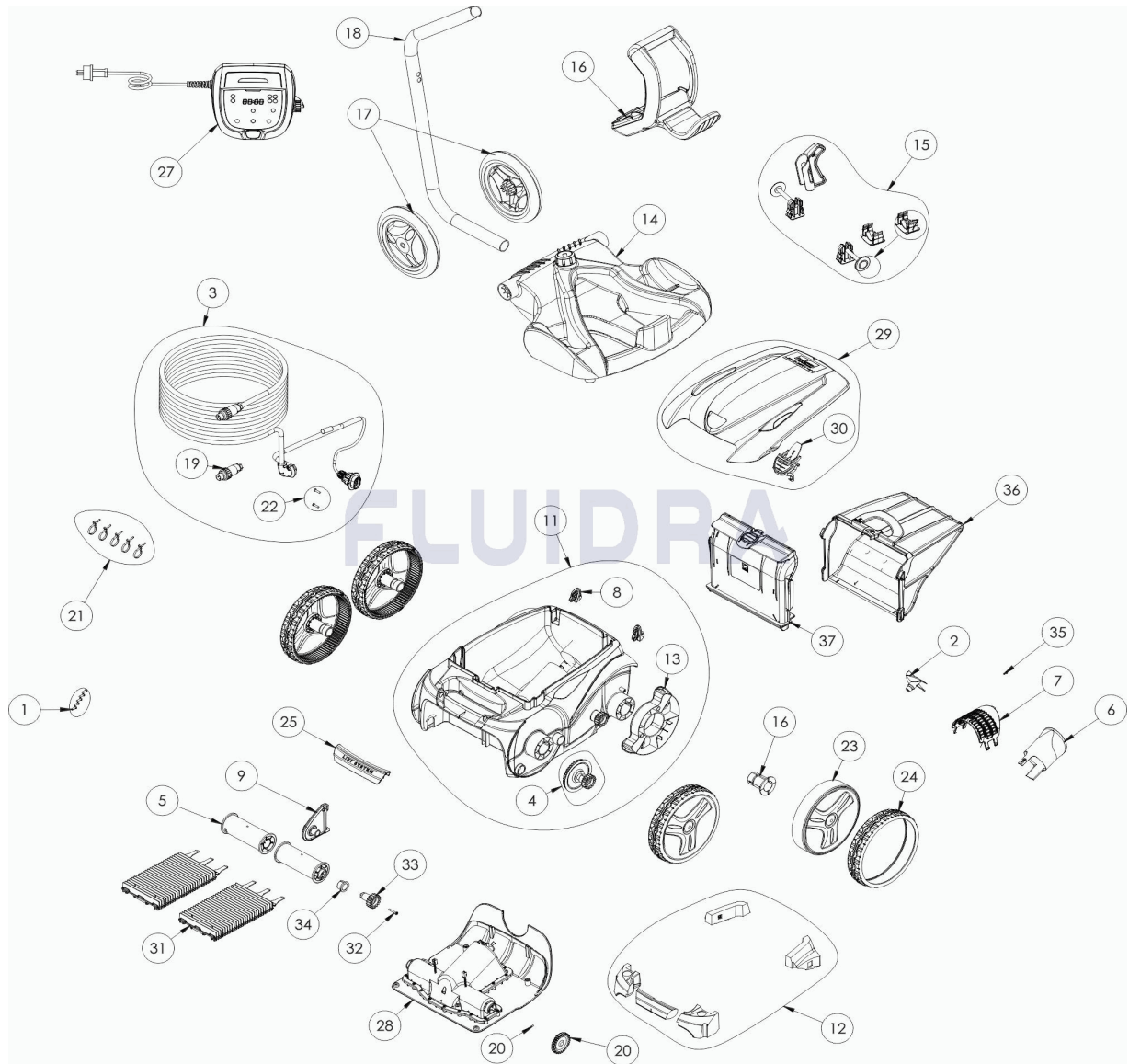
 DESCRIPCION: **JD CLEAN 4X4**

**ESPAÑOL**

POS	CODIGO	DESCRIPCION	CANTIDAD	POS	CODIGO	DESCRIPCION	CANTIDAD
1	R0516700	TORNILLO 4*12 MM (PACK DE 5 UN.)	1	16	R0565000	EMPUÑADURA CARRO DE TRANSPORTE	1
2	R0517000	HÉLICE	1	17	R0565100	RUEDAS CARRO DE TRANSPORTE (Pack 2)	1
3	R0516800	CABLE FLOTANTE 18M	1	18	R0565200	TUBO CARRO DE TRANSPORTE	1
4	R0517200	CJTO.TRANSMISIÓN	4	19	R0565600	CONECTOR DE CABLE 4 PINS	1
5	R0517400	RODILLO PORTACEPILLOS (Pack 2 UN)	1	20	R0567800	CLIP FIJADOR 3*16 MM (Pack 5 UN)	1
6	R0517500	CANALIZADOR DE FLUJO	1	21	R0567900	ABRAZADERAS CABLE FLOTANTE ( Pack 5	1
7	R0517600	MALLA PROTECCIÓN	1	22	R0608500	TORNILLO 4*16 MM (PACK DE 5 UN	1
8	R0518100	PARACHOQUES CON RUEDAS (Pack 2 UN)	1	23	R0636000	LLANTA NEGRA GRANDE ZODIAC	4
9	R0518700	CLIP FIJACIÓN DE RODILLOS AZUL	1	24	R0636200	LLANTA GRANDE GD RAL9022 ZODIAC	4
10	R0518800	PIÑÓN 27 DIENTES (Pack 2 UN)	1	25	R0636501	EMPUÑADURA RAL9022 LS	1
11	R0539200	CARCASA COMPLETA 4WD AZUL	1	26	R0636700	CASQUILLO COJINETE RUEDA ZODIAC	4
12	R0539700	FLOTADOR	1	27	R0637500	UNIDAD DE CONTROL TIPO 3V DESJ	1
13	R0540300	PROTECTOR DE RUEDA	2	28	R0638000	BLOQUE MOTOR TIPO C	1

CODIGO **WR000032**DESCRIPCION: **JD CLEAN 4X4**

14	R0564800	BASE CARRO DE TRANSPORTE	1	29	R0638300	TAPA DELANTERA JDCLEAN 4*4	1
15	R0564900	KIT ACCESORIOS CARRO	1	30	R0638700	CIERRE TAPA PMS108	1
31	R0638800	CEPILLOS TIPO 2 R9022 ZODIAC (Pack 2 U	1	35	R0639200	TORNILLO 2.9*9.5 MM (Pack 5 UN)	1
32	R0638900	TORNILLO 4*25 MM (Pack 5 UN)	1	36	R0863600	FILTRO RESIDUOS FINOS 100µ	1
33	R0639000	PIÑÓN 17 DIENTES (Pack 2 UN)	1	37	R0865100	SOPORTE FILTRO	1
34	R0639100	CASQUILLO EXTERIOR (Pack 2 UN)	1				

CODE **WR000032**  
DESCRIPTION: **JD CLEAN 4X4**



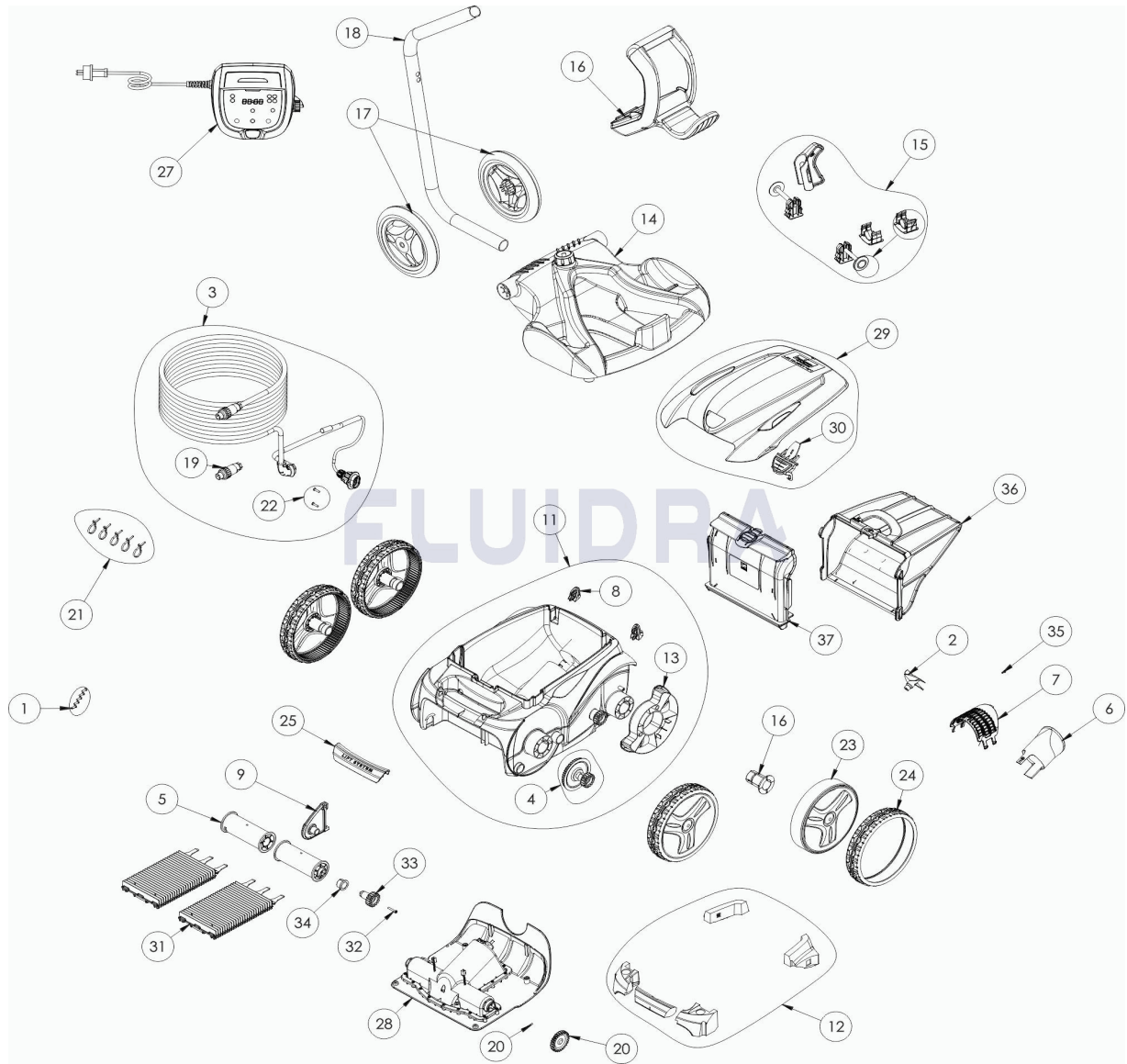
**FRANCAIS**

POS	CODE	DESCRIPTION	QUANTITE	POS	CODE	DESCRIPTION	QUANTITE
1	R0516700	VIS 4*12 MM (X5)	1	16	R0565000	POIGNEE CHARIOT	1
2	R0517000	HELICE V	1	17	R0565100	ROUES CHARIOT (*2)	1
3	R0516800	CABLE FLOTTANT 18M	1	18	R0565200	TUBE CHARIOT	1
4	R0517200	TRANSMISSION	4	19	R0565600	CONNECTEUR 4 PTS	1
5	R0517400	SUPPORT BROSE ( *2 )	1	20	R0567800	GOUPILLE 3*16 MM (*5)	1
6	R0517500	GUIDE FLUX	1	21	R0567900	LIEN SERRAGE CABLE FLOTT (*5)	1
7	R0517600	GRILLE MOTEUR	1	22	R0608500	VIS 4*16 MM A4 (*5)	1
8	R0518100	BUMPER A ROULETTE(*2)	1	23	R0636000	JANTE GDE NOIRE ZODIAC	4
9	R0518700	PONTET BROSE BLEU	1	24	R0636200	BANDAGE GD RAL9022 ZODIAC	4
10	R0518800	PIGNON 27 DENTS (*2)	1	25	R0636501	POIGNEE RAL9022 LS	1
11	R0539200	COQUE COMPLETE 4WD BLEUE	1	26	R0636700	PALIER ROUE ZODIAC	4
12	R0539700	FLOTTEUR COMPLET	1	27	R0637500	COFFRET COMMANDE TYPE 3V DESJ	1
13	R0540300	PROTECTION ROUE	2	28	R0638000	BLOC MOTEUR TYPE C	1

CODE **WR000032**DESCRIPTION: **JD CLEAN 4X4**

14	R0564800	EMBASE CHARIOT	1	29	R0638300	TRAPPE JDCLEAN 4*4	1
15	R0564900	PIECES ACCESSOIRE CHARIOT	1	30	R0638700	VERROU TRAPPE PMS108	1
31	R0638800	BROSSE TYPE 2 R9022 ZODIAC (*2)	1	35	R0639200	VIS 2.9*9.5 MM (*5)	1
32	R0638900	VIS 4*25 MM (*5)	1	36	R0863600	FILTRE DEBRIS FINS 100µ	1
33	R0639000	PIGNON 17 DENTS (*2)	1	37	R0865100	SUPPORT BAC FILTRANT	1
34	R0639100	PALIER EXTERIEUR (*2)	1				

CODE **WR000032**

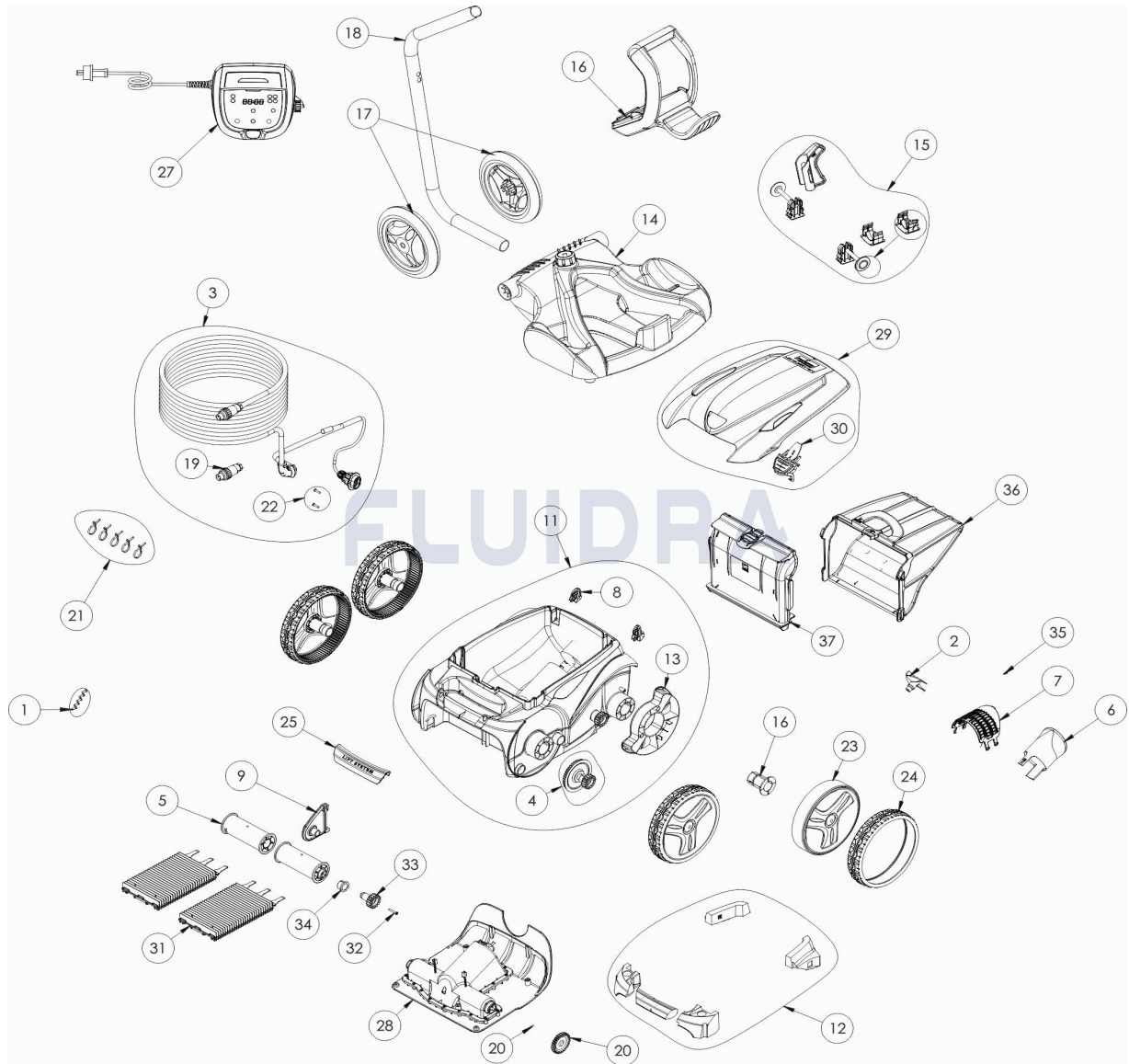
 DESCRIPTION: **JD CLEAN 4X4**

**ENGLISH**

POS	CODE	DESCRIPTION	QUANTITY	POS	CODE	DESCRIPTION	QUANTITY
1	R0516700	SCREWS 4*12 MM (X5)	1	16	R0565000	TROLLEY HANDLE	1
2	R0517000	PROPELLER	1	17	R0565100	TROLLEY WHEELS (*2)	1
3	R0516800	FLOATING CABLE 18M	1	18	R0565200	TROLLEY TUBE	1
4	R0517200	TRANSMISSION	4	19	R0565600	FLOATING CABLE PLUG	1
5	R0517400	BRUSH ROLLER	1	20	R0567800	MOTOR BLOCK SHAFT PIN (SET OF 5)	1
6	R0517500	FLOW OUTLET	1	21	R0567900	FLOATING CABLE CLAMP (SET OF 5)	1
7	R0517600	MOTOR SCREEN	1	22	R0608500	SCREW 4*16MM (set of 5)	1
8	R0518100	ROLLER (SET OF 2)	1	23	R0636000	RIM LARGE BLACK ZODIAC	4
9	R0518700	ROLLER SUPPORT	1	24	R0636200	TIRE LARGE RAL9022 ZODIAC	4
10	R0518800	DRIVE GEAR (SET OF 2)	1	25	R0636501	HANDLE RAL9022 LS	1
11	R0539200	MAIN HOUSING 4WD BLUE	1	26	R0636700	WHEEL BUSHING ZODIAC	4
12	R0539700	FLOAT	1	27	R0637500	CONTROL UNIT TYPE 3V DESJ	1
13	R0540300	COVER WHEELS PROTECTION	2	28	R0638000	MOTOR BLOCK TYPE C	1

CODE **WR000032**DESCRIPTION: **JD CLEAN 4X4**

14	R0564800	TROLLEY BASE	1	29	R0638300	COVER JDCLEAN 4*4	1
15	R0564900	TROLLEY ACCESSORIES	1	30	R0638700	COVER LATCH GRIP PMS108	1
31	R0638800	BRUSH (SET OF 2)	1	35	R0639200	SCREW 2.9*9.5 MM (SET OF 5)	1
32	R0638900	SCREW 4*25 MM (SET OF 5)	1	36	R0863600	FINE FILTER 100µ	1
33	R0639000	17 GEAR (*2)	1	37	R0865100	FILTER CANISTER INLET HOUSING	1
34	R0639100	OUTER BEARING (*2)	1				

CODICE **WR000032**

 DESCRIZIONE: **JD CLEAN 4X4**

**ITALIANO**

POS	CODICE	DESCRIZIONE	QUANTITA'	POS	CODICE	DESCRIZIONE	QUANTITA'
1	R0516700	VITE 4*12 MM (*5)	1	16	R0565000	MANIGLIA CARRELLO	1
2	R0517000	ELICA	1	17	R0565100	RUOTE CARRELLO (*2)	1
3	R0516800	CAVO GALLEGGIANTE 18M	1	18	R0565200	TUBO CARRELLO	1
4	R0517200	TRASMISSIONE	4	19	R0565600	CONNETTORE CAVO	1
5	R0517400	SUPPORTO SPAZZOLA (*2)	1	20	R0567800	COPIGLIA 3*16 MM (*5)	1
6	R0517500	GUIDA FLUSSO	1	21	R0567900	SET 5 PINZE PER FLOTTANTI	1
7	R0517600	GRIGLIA	1	22	R0608500	VITE 4*16 MM A4 (*5)	1
8	R0518100	PARAURTI A ROTELLA (*2)	1	23	R0636000	CERCHIO GRANDE NERO ZODIAC	4
9	R0518700	PONTICELLO SPAZZOLA BLU	1	24	R0636200	GOMMA GRANDE RAL9022 ZODIAC	4
10	R0518800	KIT 2 PIGNONE 27 DENTI	1	25	R0636501	MANIGLIA RAL9022 LS	1
11	R0539200	SCOCCA COMPLETA	1	26	R0636700	CUSCINETTO RUOTA ZODIAC	4
12	R0539700	FLOTTANTE COMPLETO	1	27	R0637500	QUADRO COMANDI TIPO 3V DESJ	1
13	R0540300	PROTEZIONE RUOTA	2	28	R0638000	BLOCCO MOTORE TIPO C	1

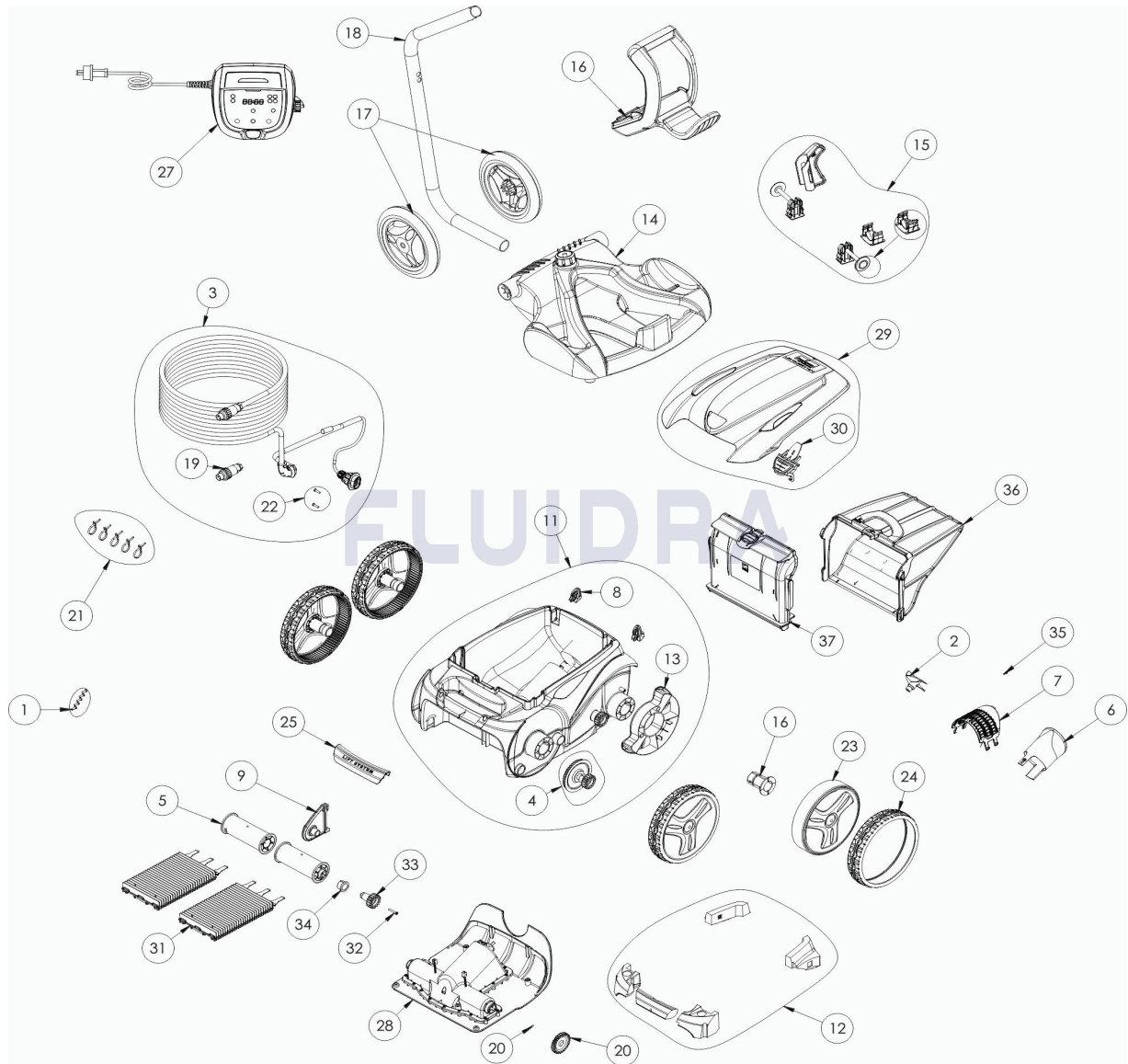
CODICE **WR000032**DESCRIZIONE: **JD CLEAN 4X4**

14	R0564800	BASE CARRELLO	1	29	R0638300	PORTELLO JDCLEAN 4*4	1
15	R0564900	PEZZI ACCESSORI CARRELLO	1	30	R0638700	BLOCCO IMPUGNATURA COPERCHIO PMS	1
31	R0638800	SPAZZOLA TIPO 2R9022 ZODIAC (*2)	1	35	R0639200	KIT 5 VITI 2.9*9.5 MM	1
32	R0638900	VITE 4*25 MM (*5)	1	36	R0863600	FILTRO DETRITI SOTTILI 100µ	1
33	R0639000	KIT 2 PIGNONE 17 DENTI	1	37	R0865100	SUPPORTO FILTRO V	1
34	R0639100	CUSCINETTO ESTERIORE (*2)	1				



CODE

**WR000032**

 BESCHREIBUNG: **JD CLEAN 4X4**

**DEUTSCH**

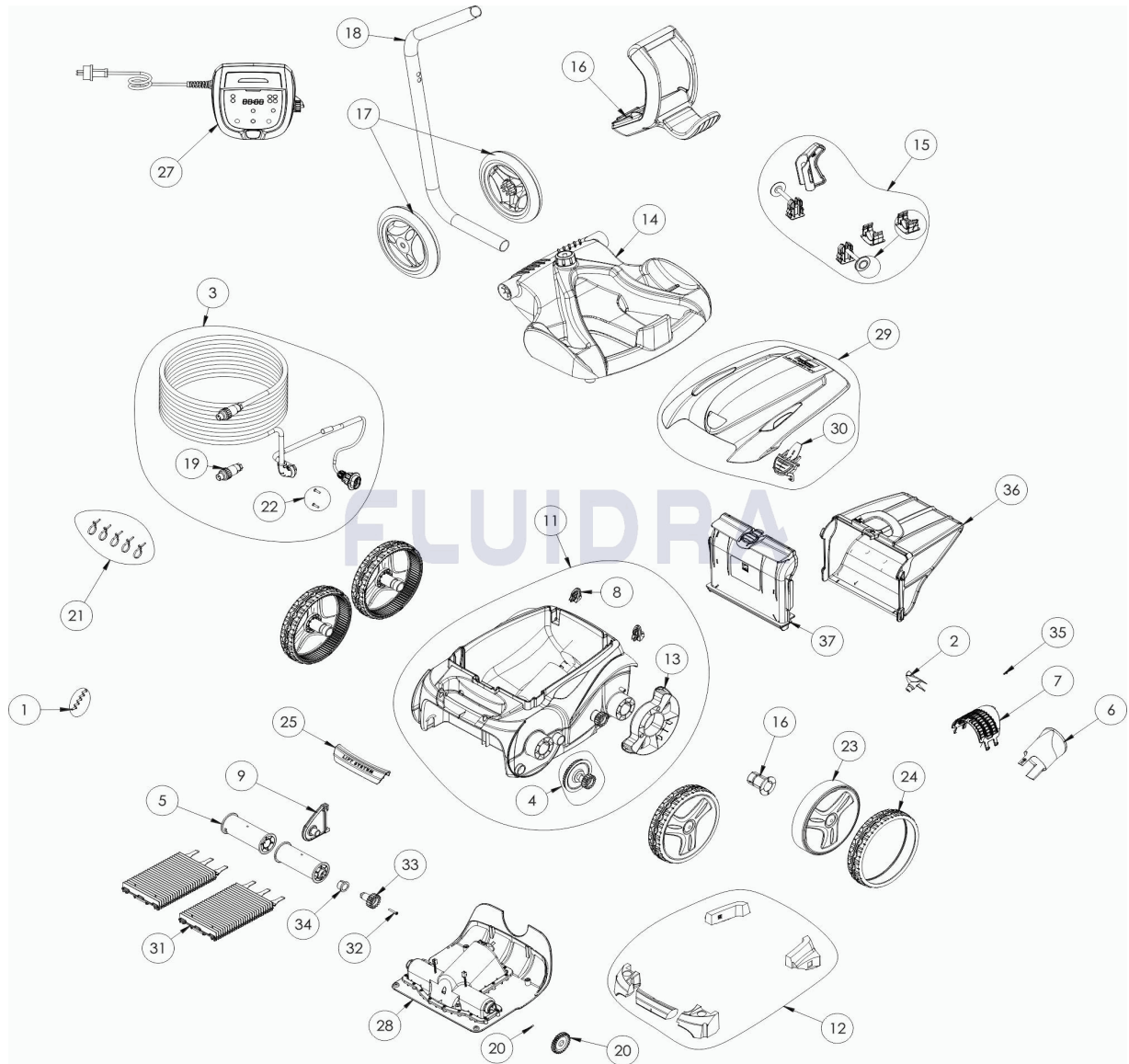
POS	CODE	BESCHREIBUNG	MENGE	POS	CODE	BESCHREIBUNG	MENGE
1	R0516700	SCHRAUBE 4 * 12 MM(SET mit 5 Stk.)	1	16	R0565000	HANDGRIFF CADDY	1
2	R0517000	TURBINE	1	17	R0565100	RÄDER CADDY (SET mit 2 Stk.)	1
3	R0516800	SCHWIMMKABEL KOMPLETT 18M	1	18	R0565200	STANDROHR FÜR CADDY	1
4	R0517200	GETRIEBE	4	19	R0565600	SCHWIMMKABEL STECKER (4 PTS)	1
5	R0517400	BÜRSTENWALZE (SET mit 2 Stk.)	1	20	R0567800	SPLINT FÜR KREUZAPPENANTRIEB (SET	1
6	R0517500	STRÖMUNGSDÜSE	1	21	R0567900	KLEMME FÜR SCHWIMMKABEL (SET mit 5 Stk.)	1
7	R0517600	SCHUTZGITTER	1	22	R0608500	SCHRAUBE 4 * 16 MM, A4 (SET mit 5 Stk.)	1
8	R0518100	STOSSFÄNGER MIT ROLLER (SET mit 2 Stk.)	1	23	R0636000	FELGE GROß, VORNE, SCHWARZ	4
9	R0518700	BÜRSTENANKER, BLAU	1	24	R0636200	REIFEN GROß RAL9022 (4WD)	4
10	R0518800	ZAHNRAD 27 ZÄHNE (SET mit 2 Stk.)	1	25	R0636501	GRIFFSTÜCK RAL9022 LS	1
11	R0539200	GEHÄUSE, BLAU (4WD)	1	26	R0636700	RADBÜCHSE EC	4
12	R0539700	SCHWIMMKÖRPER, KOMPLET EC	1	27	R0637500	STEUERBOX TYP 3V DESJ	1
13	R0540300	RADSCHUTZBLENDE	2	28	R0638000	MOTORBLOCK TYP C	1

CODE **WR000032**BESCHREIBUNG: **JD CLEAN 4X4**

14	R0564800	BODENPLATTE CADDY	1	29	R0638300	GEHÄUSEDECKEL JD CLEAN 4*4	1
15	R0564900	ZUBEHÖR CADDY	1	30	R0638700	GEHÄUSERIGEL, PMS108	1
31	R0638800	BÜRSTEN TYP 2 (CONTACT +) R9022 (SET	1	35	R0639200	ZYLINDERKOPFSCHRAUBE 2,9 * 9,5 MM (SI	1
32	R0638900	SCHRAUBE 4 * 25 MM, A2 (SET mit 5 Stk.)	1	36	R0863600	FILTER FEIN 100µ	1
33	R0639000	ZAHNRAD 17 ZÄHNE (SET mit 2 Stk.)	1	37	R0865100	DECKEL FILTERKORB	1
34	R0639100	ZAHNRADBÜCHSE (SET mit 2 Stk.)	1				

CODIGO **WR000032**

DESCRIÇÃO: **JD CLEAN 4X4**



**PORTUGUES**

POS	CODIGO	DESCRIÇÃO	JANTIDADE	POS	CODIGO	DESCRIÇÃO	JANTIDADE
1	R0516700	PARAFUSO 4*12 MM (Pack 5 UN)	1	16	R0565000	PEGA CARRO DE TRANSPORTE	1
2	R0517000	HÉLICE	1	17	R0565100	RODAS CARRO DE TRANSPORTE	1
3	R0516800	CABO FLUTUANTE 18M	1	18	R0565200	TUBO CARRO DE TRANSPORTE	1
4	R0517200	CJTO. TRANSMISSÃO	4	19	R0565600	LIGAÇÃO DE CABO 4 PINS	1
5	R0517400	ROLO PORTA-ESCOVAS (Pack 2 UN)	1	20	R0567800	CLIP FIXADOR 3*16 MM (Pack 5 UN)	1
6	R0517500	CANALIZADOR DE FLUXO	1	21	R0567900	ABRACADEIRA CABO FLUTUANTE	1
7	R0517600	TELA PROTECÇÃO	1	22	R0608500	PARAFUSO 4*16 MM A4 (Pack 5 UN)	1
8	R0518100	PÁRA-CHOQUES CON RODAS (Pack 2 UN)	1	23	R0636000	ARO PRETO GRANDE ZODIAC	4
9	R0518700	CLIP FIXAÇÃO ROLOS AZUL	1	24	R0636200	ARO GRANDE GD RAL9022 ZODIAC	4
10	R0518800	RODA DENTADA 27 DENTES (Pack 2 UN)	1	25	R0636501	PEGA RAL9022 LS	1
11	R0539200	ESTRUTURA COMPLETA 4WD AZUL	1	26	R0636700	TAMPA DO ROLAMENTO DA RODA	4
12	R0539700	FLUTUADOR	1	27	R0637500	UNIDADE DE CONTROLO TIPO 3V DESJ	1
13	R0540300	PROTETOR DA RODA	2	28	R0638000	BLOCO MOTOR TIPO C	1

CODIGO **WR000032**DESCRIÇÃO: **JD CLEAN 4X4**

14	R0564800	BASE CARRO DE TRANSPORTE	1	29	R0638300	TAMPA DIANTEIRA JDCLEAN 4x4	1
15	R0564900	KIT ACCESÓRIOS CARRO	1	30	R0638700	FECHO DA TAMPA PMS108	1
31	R0638800	ESCOVAS TIPO 2 R9022 ZODIAC (Pack 2 UI	1	35	R0639200	PARAFUSO 2.9*9.5 MM (Pack 5 UN)	1
32	R0638900	PARAFUSO 4*25 MM (Pack 5 UN)	1	36	R0863600	FILTRO RESÍDUOS FINOS 100µ	1
33	R0639000	RODA DENTADA 17 DENTES (Pack 2 UN)	1	37	R0865100	SUPORTE FILTRO	1
34	R0639100	TAMPA EXTERIOR (Pack 2 UN)	1				