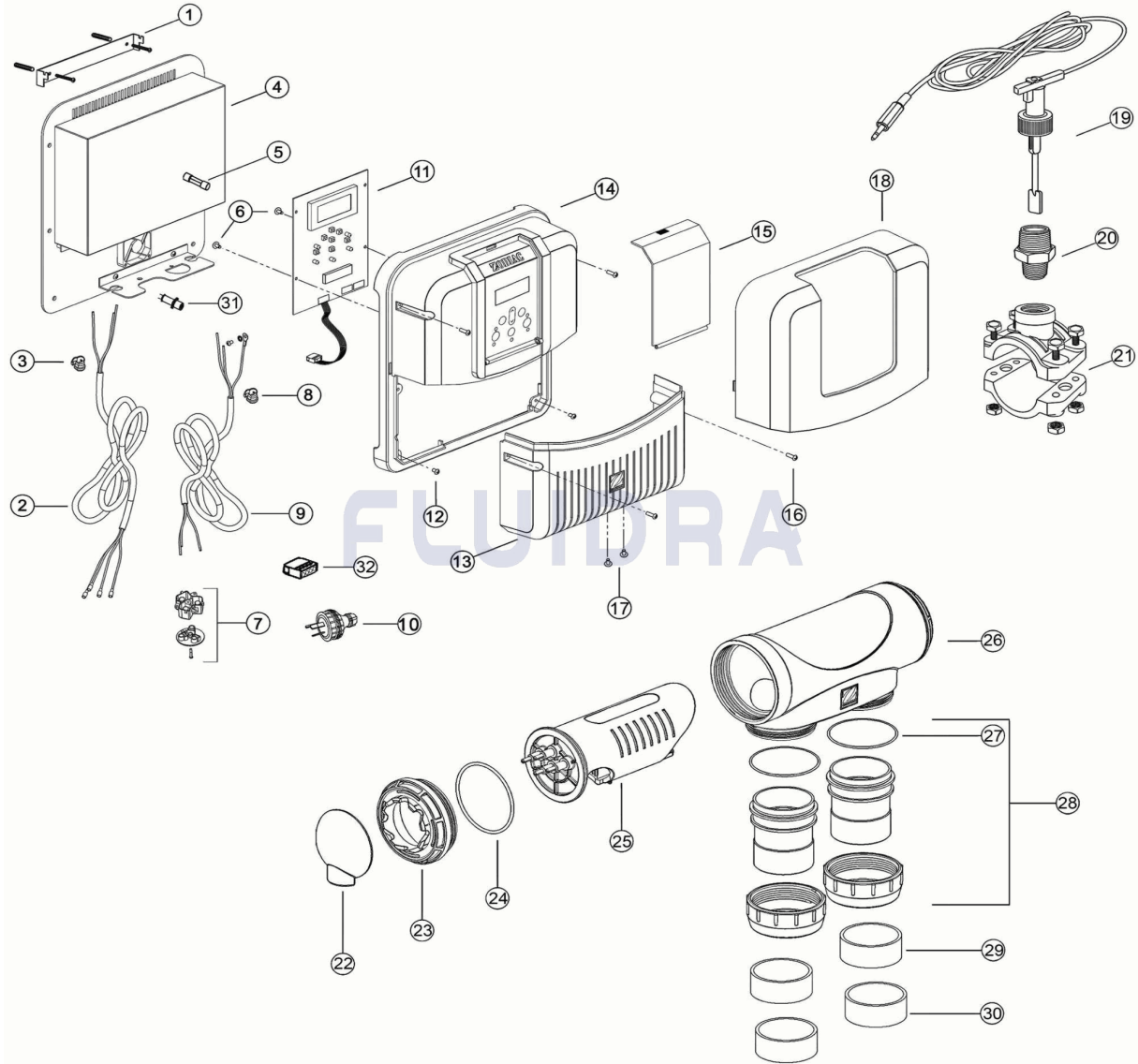


CODIGO

**WW000047, WW000048, WW000049, WW000050, WW000051,
WW000052, WW000053, WW000054, WW000133, WW000134**

DESCRIPCION: TRI EXPERT / TRI EXPERT LS / TRI


ESPAÑOL

POS	CODIGO	DESCRIPCION	CANTIDAD	POS	CODIGO	DESCRIPCION	CANTIDAD
1	R0740700	SOPORTE FIJACIÓN PARED CON KIT TORX	1	14	* R0743204	CAPÓ PLÁSTICO SUPERIOR CON STICKER	1
2	R0740300	CABLE COMPLETO DE ALIMENTACIÓN DE	1	15	R0741800	CAPÓ DE PROTECCIÓN DE LA UNIDAD DE	1
3	R0768100	GRAPA DE FIJACIÓN PARA CABLE DE ALIM	1	16	R0743000	TORNILLO M4X20 MM DE FIJACIÓN DE LA T	1
4	W082981	CONJUNTO CARTA ELECTRÓNICA ALIMEN	1	17	R0742400	TORNILLO M3X5 MM DE FIJACIÓN INFERIO	1
5	W110201	FUSIBLE M205 2,5 A T	1	18	* R0741000	MARCO PLÁSTICO SUPERIOR NEGRO TRI	1
6	R0743400	TORNILLO 4X1/4" FIJACIÓN TARJETA ELEC	1	18	* R0744100	MARCO PLÁSTICO SUPERIOR PLATEADO T	1
7	R0741300	ENCHUFE HEMBRA FORMATO AUS	1	19	R0792800	DETECTOR DE CAUDAL COMPLETO (+ CAE	1
8	R0742900	GRAPA DE FIJACIÓN CABLE DE ALIMENTA	1	19	* R0737500	DETECTOR DE CAUDAL COMPLETO (+ CAE	1
9	R0741501	CABLE ALIMENTACIÓN SECTOR EU	1	20	R0797200	ADAPTADOR 1/2" - 3/4" PARA DETECTOR D	1
10	R0768700	ENCHUFE MACHO 3 FORMATO AUS	1	21	W013010	ABRAZADERA DM 50 M COMPLETO (ADAP1	1
11	R0615400	TARJETA ELECTRÓNICA DE CONTROL HYI	1	21	W013011	ABRAZADERA DM 63 M COMPLETO (ADAP1	1
12	R0741400	TORNILLO M4X6 MM DE FIJACIÓN INFERIC	1	22	R0740800	TAPÓN DE PROTECCIÓN DE TERMINALES	1

* NOTA OBSERVACIONES

CODIGO **WW000047, WW000048, WW000049, WW000050, WW000051,**
WW000052, WW000053, WW000054, WW000133, WW000134

DESCRIPCION: TRI EXPERT / TRI EXPERT LS / TRI

13	R0742500	CAPÓ PLÁSTICO INFERIOR CAJA DE MANI	1	23	R0740600	ROSCA DE FIJACIÓN DEL ELECTRODO	1
14	* R0743203	CAPÓ PLÁSTICO SUPERIOR CON STICKEF	1	24	R0739000	JUNTA TÓRICA DE ESTANQUEIDAD DE ELE	1
14	* R0743205	CAPÓ PLÁSTICO SUPERIOR CON STICKEF	1	25	* R0758400	ELECTRODO TRI 10 & TRI EXPERT 10	1
25	* R0806300	ELECTRODO EXO® IQ 10	1	28	R0748700	CONJUNTO ADAPTADORES DE UNIÓN Ø 6	1
25	* R0758500	ELECTRODO EXO® IQ 18	1	29	R0768600	ADAPTADOR PVC Ø50 MM PARA PEGAR	1
25	* R0806400	ELECTRODO EXO® IQ LS 18	1	30	R0770300	ADAPTADOR PVC 1 1/2" PARA PEGAR (UK)	1
25	* R0758600	ELECTRODO EXO® IQ 22	1	31	R0749600	CONECTOR HEMBRA JACK 3,5 MM	1
25	* R0758700	ELECTRODO EXO® IQ 35	1	32	R0737900	CONECTOR MACHO ALIMENTACIÓN 4 CAB	1
26	R0740200	CUERPO DE CÉLULA VACÍA	1	/	R0861500	RKIT CAJA EXO IQ COMPLETA PARA CONVI	1
27	R0737700	JUNTA TÓRICA PARA RACOR DE UNIÓN DE	1				

CODIGO **WW000047, WW000048, WW000049, WW000050, WW000051,**
WW000052, WW000053, WW000054, WW000133, WW000134

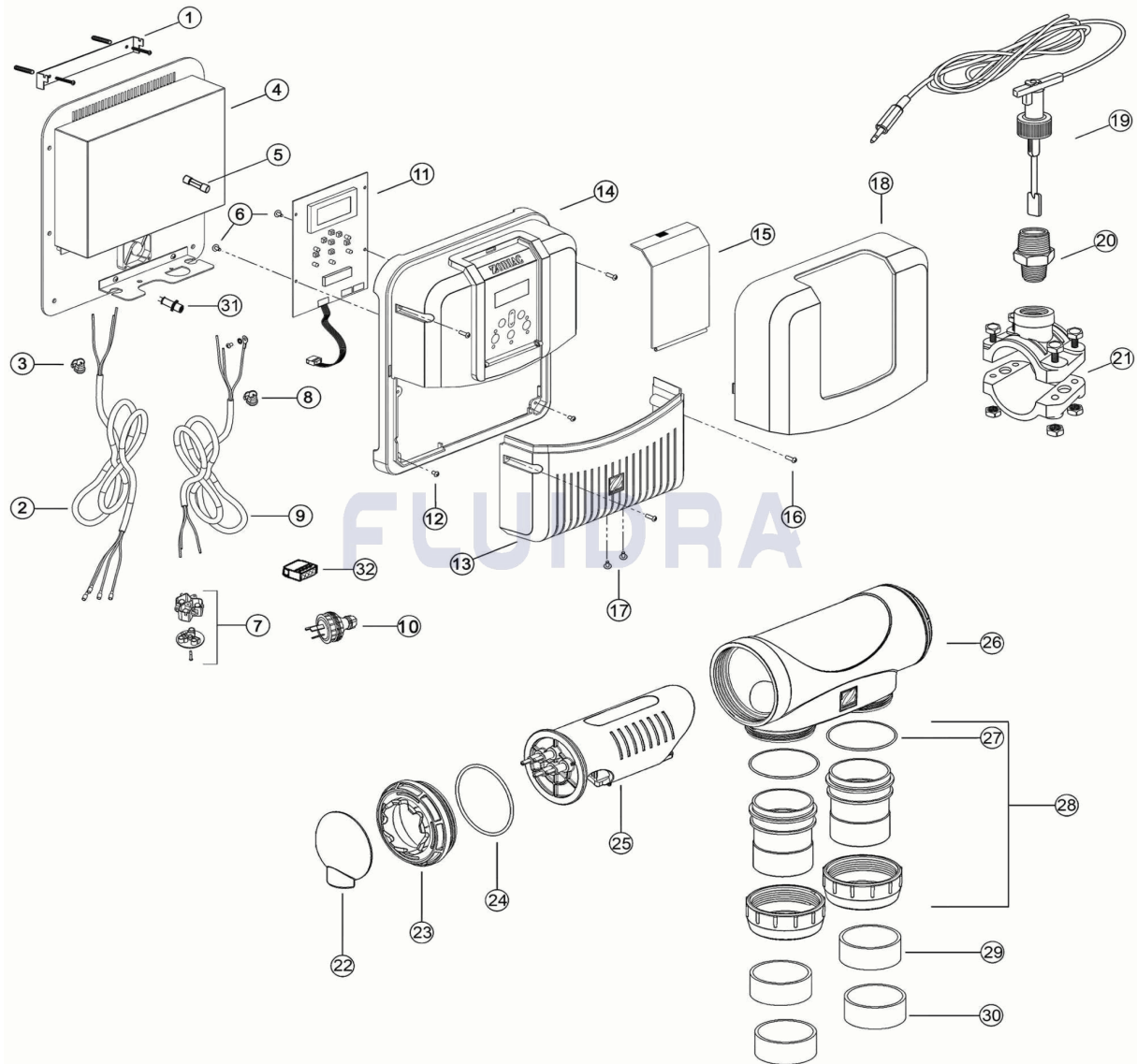
DESCRIPCION: TRI EXPERT / TRI EXPERT LS / TRI

OBSERVACIONES

POS	CODIGO	OBSERVACIONES
14	* R0743203	PARA: WW000051, WW000052, WW000053, WW000054
14	* R0743205	PARA: WW000133, WW000134
14	* R0743204	PARA: WW000047, WW000048, WW000049, WW000050
18	* R0741000	PARA: WW000051, WW000052, WW000053, WW000054, WW000133, WW000134
18	* R0744100	PARA: WW000047, WW000048, WW000049, WW000050
19	* R0737500	PARA: WW000047, WW000048, WW000049, WW000050
25	* R0758400	PARA: WW000051, WW000047
25	* R0806300	PARA: WW000133
25	* R0758500	PARA: WW000052, WW000048
25	* R0806400	PARA: WW000134
25	* R0758600	PARA: WW000053, WW000049
25	* R0758700	PARA: WW000054, WW000050

CODE **WW000047, WW000048, WW000049, WW000050, WW000051, WW000052, WW000053, WW000054, WW000133, WW000134**

DESCRIPTION: **TRI EXPERT / TRI EXPERT LS / TRI**



FRANCAIS

POS	CODE	DESCRIPTION	QUANTITE	POS	CODE	DESCRIPTION	QUANTITE
1	R0740700	SUPPORT DE FIXATION MURALE + KIT VIS	1	14	* R0743204	CAPOT PLASTIQUE SUPÉRIEUR AVEC STIC	1
2	R0740300	CÂBLE COMPLET D'ALIMENTATION DE CEI	1	15	R0741800	CAPOT PLEXI TRANSLUCIDE DE PROTECT	1
3	R0768100	GRIPPE-FIL POUR CÂBLE ALIMENTATION C	1	16	R0743000	VIS M4X20 MM DE FIXATION DU CAPOT (CC	1
4	W082981	ENSEMBLE ALIMENTATION ÉLECTRIQUE	1	17	R0742400	VIS M3X5 MM DE FIXATION PLATINE INFÉR	1
5	W110201	FUSIBLE M205 2,5 A T	1	18	* R0741000	COQUE D'HABILLAGE SUPÉRIEURE NOIRE	1
6	R0743400	VIS 4X¼" DE FIXATION DE CARTE ÉLECTR	1	18	* R0744100	COQUE D'HABILLAGE SUPÉRIEURE ARGEN	1
7	R0741300	PRISE FEMELLE TYPE « AUS »	1	19	R0792800	DÉTECTEUR DE DÉBIT COMPLET (+ CÂBLE	1
8	R0742900	GRIPPE-FIL POUR CÂBLE ALIMENTATION S	1	19	* R0737500	DÉTECTEUR DE DÉBIT COMPLET (+ CÂBLE	1
9	R0741501	CÂBLE D'ALIMENTATION SECTEUR	1	20	R0797200	ADAPTATEUR 1/2" - 3/4" POUR DÉTECTEUR	1
10	R0768700	PRISE MÂLE 3 FICHES TYPE « AUS »	1	21	W013010	COLLIER DE PRISE EN CHARGE DN50 MM	1
11	R0615400	CARTE ÉLECTRONIQUE DE CONTRÔLE H'	1	21	W013011	COLLIER DE PRISE EN CHARGE DN63 MM	1
12	R0741400	VIS M4X6 MM DE FIXATION INFÉRIEURE D	1	22	R0740800	CAPUCHON DE PROTECTION DE CELLULE	1

* VOIR FICHE D'OBSERVATIONS

CODE **WW000047, WW000048, WW000049, WW000050, WW000051,
WW000052, WW000053, WW000054, WW000133, WW000134**

DESCRIPTION: **TRI EXPERT / TRI EXPERT LS / TRI**

13	R0742500	CAPOT PLASTIQUE INFÉRIEUR STANDARD	1	23	R0740600	BAGUE DE SERRAGE ÉLECTRODE	1
14	* R0743203	CAPOT PLASTIQUE SUPÉRIEUR AVEC STI	1	24	R0739000	JOINT TORIQUE D'ÉLECTRODE X2	1
14	* R0743205	CAPOT PLASTIQUE SUPÉRIEUR AVEC STI	1	25	* R0758400	ELECTRODE TRI 10 & TRI EXPERT 10 COMI	1
25	* R0806300	ELECTRODE TRI EXPERT LS 10 COMPLÈT	1	28	R0748700	ENSEMBLE RACCORD UNION POUR CELLU	1
25	* R0758500	ELECTRODE TRI 18 & TRI EXPERT 18 COM	1	29	R0768600	RÉDUCTEUR PVC DN50 MM À COLLER	1
25	* R0806400	ELECTRODE TRI EXPERT LS 18 COMPLÈT	1	30	R0770300	RÉDUCTEUR PVC 1 ½" À COLLER (UK)	1
25	* R0758600	ELECTRODE TRI 22 & TRI EXPERT 22 COM	1	31	R0749600	PRISE JACK 3,5 MM FEMELLE	1
25	* R0758700	ELECTRODE TRI 35 & TRI EXPERT 35 COM	1	32	R0737900	CONNECTEUR CÂBLE 4 VOIES X2	1
26	R0740200	CORPS DE CELLULE VIDE	1	/	R0861500	RKIT COFFRET EXO IQ COMPLET POUR CC	1
27	R0737700	JOINT TORIQUE DE RACCORD UNION DE (1				

CODE **WW000047, WW000048, WW000049, WW000050, WW000051,
WW000052, WW000053, WW000054, WW000133, WW000134**

DESCRIPTION: **TRI EXPERT / TRI EXPERT LS / TRI**

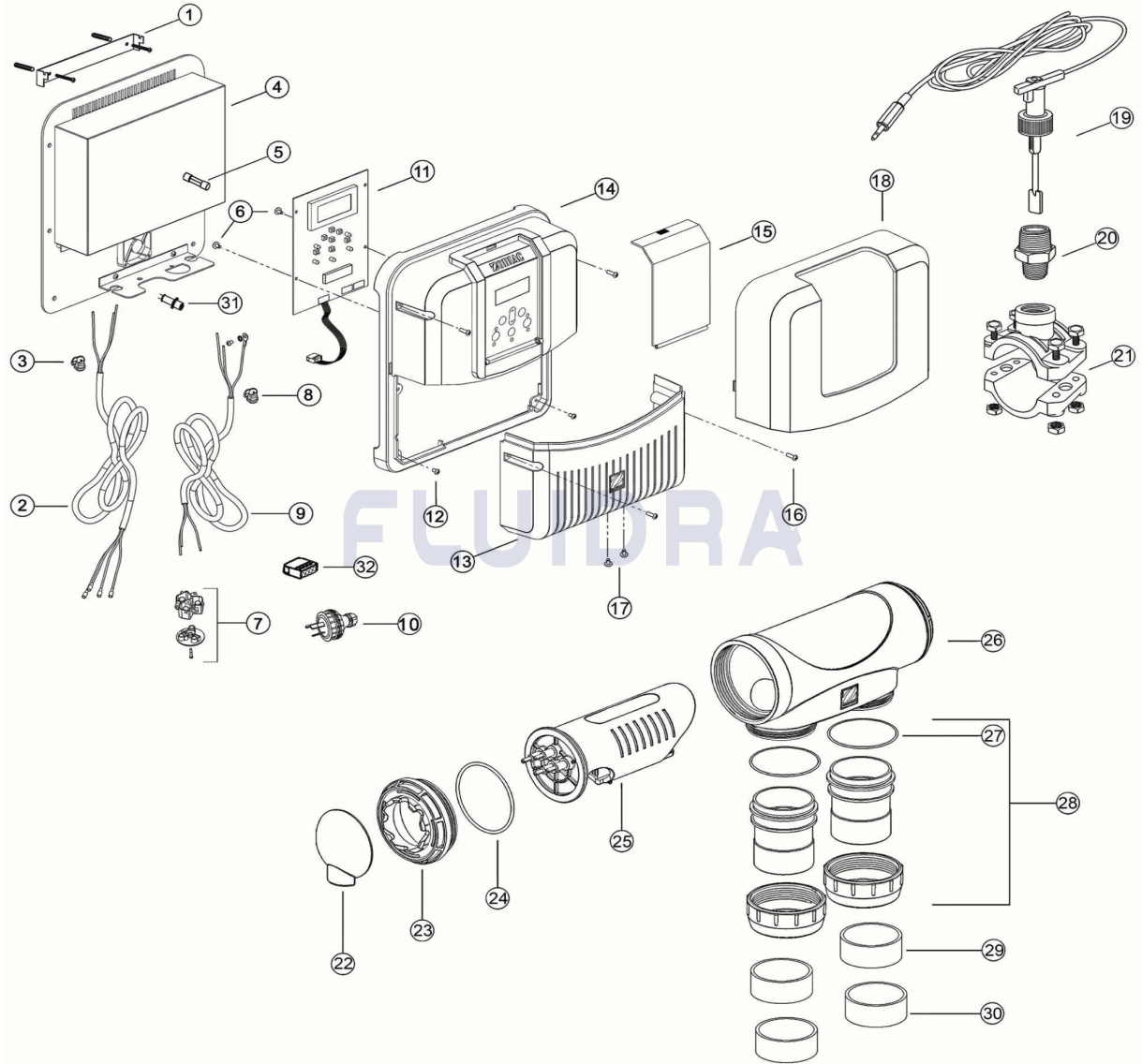
OBSERVATIONS

POS	CODE	OBSERVATIONS
14	* R0743203	POUR: WW000051, WW000052, WW000053, WW000054
14	* R0743205	POUR: WW000133, WW000134
14	* R0743204	POUR: WW000047, WW000048, WW000049, WW000050
18	* R0741000	POUR: WW000051, WW000052, WW000053, WW000054, WW000133, WW000134
18	* R0744100	POUR: WW000047, WW000048, WW000049, WW000050
19	* R0737500	POUR: WW000047, WW000048, WW000049, WW000050
25	* R0758400	POUR: WW000051, WW000047
25	* R0806300	POUR: WW000133
25	* R0758500	POUR: WW000052, WW000048
25	* R0806400	POUR: WW000134
25	* R0758600	POUR: WW000053, WW000049
25	* R0758700	POUR: WW000054, WW000050

CODE

**WW000047, WW000048, WW000049, WW000050, WW000051,
WW000052, WW000053, WW000054, WW000133, WW000134**

DESCRIPTION: TRI EXPERT / TRI EXPERT LS / TRI


ENGLISH

POS	CODE	DESCRIPTION	QUANTITY	POS	CODE	DESCRIPTION	QUANTITY
1	R0740700	WALL MOUNT KIT W/ SCREWS	1	14	* R0743204	MAIN COVER FOR CONTROL UNIT WITH TF	1
2	R0740300	COMPLETE CELL MAINS SUPPLY CABLE	1	15	R0741800	TRANSPARENT PLEXI PROTECTION COVER	1
3	R0768100	CABLE GRIP FOR CELL POWER SUPPLY	1	16	R0743000	M4X20 MM FIXING SCREWS FOR COVERS	1
4	W082981	POWER SUPPLY SET (ALUMINIUM CHASSIS	1	17	R0742400	M3X5 MM FIXING SCREWS FOR LOWER PL	1
5	W110201	M205 2.5 A T FUSE	1	18	* R0741000	BLACK TRI EXPERT HOUSING COVER	1
6	R0743400	4X¼" FIXING SCREWS FOR ELECTRONIC I	1	18	* R0744100	SILVER TRI HOUSING COVER	1
7	R0741300	"AUS" FEMALE TYPE PLUG	1	19	R0792800	COMPLETE FLOW SWITCH (+ CABLE) - AFT	1
8	R0742900	CABLE GRIP FOR MAINS POWER SUPPLY	1	19	* R0737500	COMPLETE FLOW SWITCH (+ CABLE AND J	1
9	R0741501	MAINS SUPPLY CABLE	1	20	R0797200	3/4"X1/2" ADAPTER FOR FLOW SWITCH	1
10	R0768700	MALE 3 PIN PLUG "AUS" TYPE	1	21	W013010	COMPLETE DN50 MM SADDLE CLAMP (AD/	1
11	R0615400	HYDROXINATOR® CONTROL PCB	1	21	W013011	COMPLETE DN63 MM SADDLE CLAMP (AD/	1
12	R0741400	M4X6 MM LOWER FIXING SCREW FOR MA	1	22	R0740800	TRI CELL PROTECTIVE CAP	1

* SEE OBSERVATIONS SHEET

CODE **WW000047, WW000048, WW000049, WW000050, WW000051,
WW000052, WW000053, WW000054, WW000133, WW000134**

DESCRIPTION: **TRI EXPERT / TRI EXPERT LS / TRI**

13	R0742500	LOWER COVER FOR STANDARD TRI	1	23	R0740600	ELECTRODE TIGHTENING RING	1
14	* R0743203	MAIN COVER FOR CONTROL UNIT WITH TI	1	24	R0739000	ELECTRODE O-RING (X2)	1
14	* R0743205	MAIN COVER FOR CONTROL UNIT WITH TI	1	25	* R0758400	COMPLETE TRI 10 ELECTRODE	1
25	* R0806300	COMPLETE TRI LS 10 ELECTRODE	1	28	R0748700	BARREL UNION SET FOR TRI DN63 MM / 2"	1
25	* R0758500	COMPLETE TRI 18 ELECTRODE	1	29	R0768600	PVC DN50 MM ADAPTER TO GLUE	1
25	* R0806400	COMPLETE TRI LS 18 ELECTRODE	1	30	R0770300	PVC 1 1/2" ADAPTER TO GLUE (UK)	1
25	* R0758600	COMPLETE TRI 22 ELECTRODE	1	31	R0749600	3.5 MM FEMALE PLUG JACK	1
25	* R0758700	COMPLETE TRI 35 ELECTRODE	1	32	R0737900	4-WAY CABLE CONNECTOR (X2)	1
26	R0740200	EMPTY CELL BODY	1	/	R0861500	RKIT EXO IQ COMPLETE POWER PACK FOI	1
27	R0737700	BARREL UNION ORING (X2)	1				

CODE **WW000047, WW000048, WW000049, WW000050, WW000051,
WW000052, WW000053, WW000054, WW000133, WW000134**

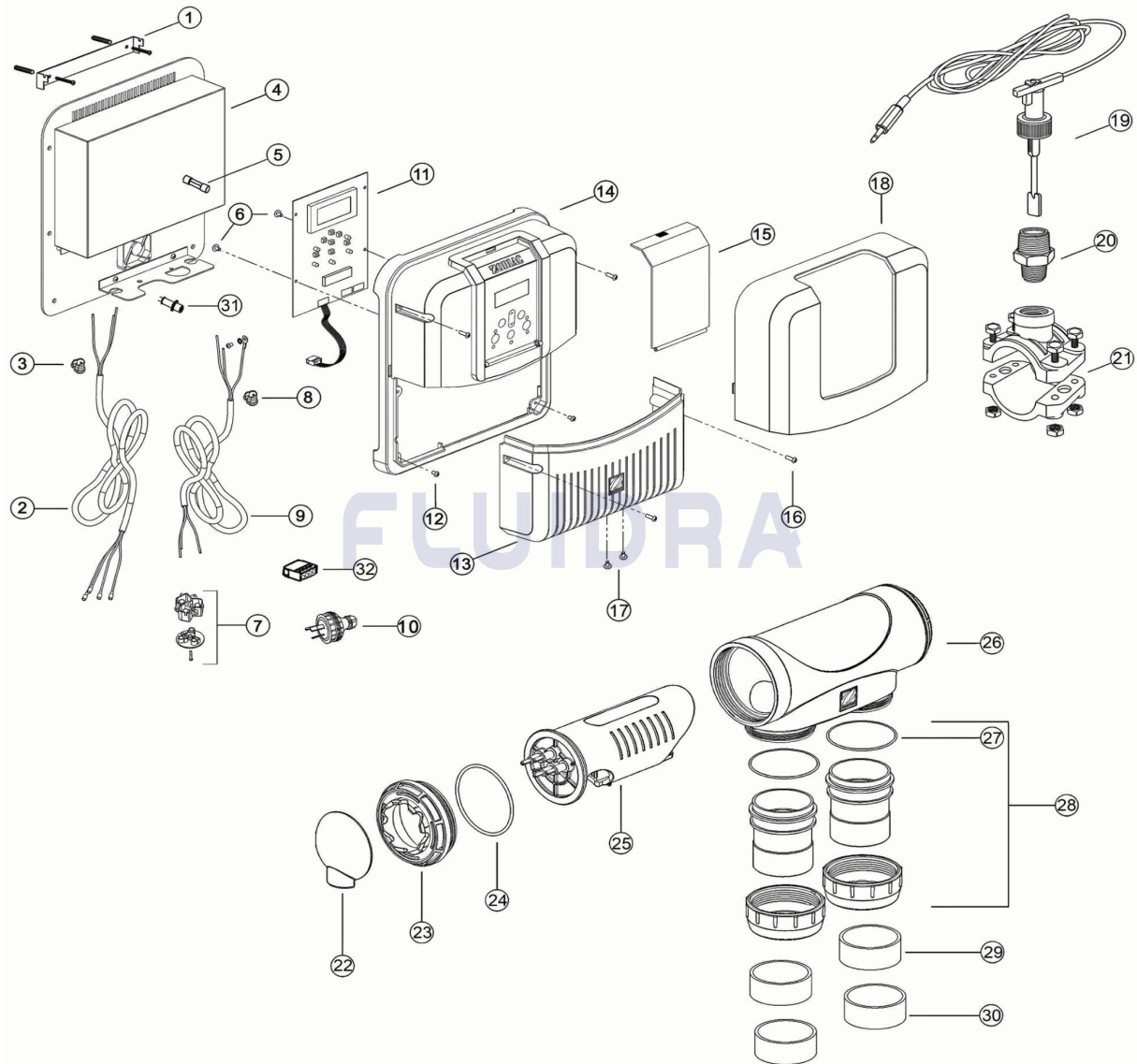
DESCRIPTION: **TRI EXPERT / TRI EXPERT LS / TRI**

OBSERVATIONS

POS	CODE	OBSERVATIONS
14	* R0743203	FOR: WW000051, WW000052, WW000053, WW000054
14	* R0743205	FOR: WW000133, WW000134
14	* R0743204	FOR: WW000047, WW000048, WW000049, WW000050
18	* R0741000	FOR: WW000051, WW000052, WW000053, WW000054, WW000133, WW000134
18	* R0744100	FOR: WW000047, WW000048, WW000049, WW000050
19	* R0737500	FOR: WW000047, WW000048, WW000049, WW000050
25	* R0758400	FOR: WW000051, WW000047
25	* R0806300	FOR: WW000133
25	* R0758500	FOR: WW000052, WW000048
25	* R0806400	FOR: WW000134
25	* R0758600	FOR: WW000053, WW000049
25	* R0758700	FOR: WW000054, WW000050

CODICE WW000047, WW000048, WW000049, WW000050, WW000051,
 WW000052, WW000053, WW000054, WW000133, WW000134

DESCRIZIONE: TRI EXPERT / TRI EXPERT LS / TRI



ITALIANO

POS	CODICE	DESCRIZIONE	QUANTITA'	POS	CODICE	DESCRIZIONE	QUANTITA'
1	R0740700	MOUNTING BRACKET TRI	1	14	* R0743204	TRI CHASSIS COVER	1
2	R0740300	CABLE CELL OUTPUT TRI	1	15	R0741800	CLEAR COVER TRI	1
3	R0768100	CABLE CORD GRIP EI/TRI	1	16	R0743000	SCREW M4X20MM X 4	1
4	W082981	GRUPPO ALIMENT. ELETTR. TRI	1	17	R0742400	SCREW M3X5MM ZINC X 2	1
5	W110201	FUSIBILE M205 2,5 A T	1	18	* R0741000	LABEL KEYBOARD TRI EXPERT	1
6	R0743400	SCREWS TRI PCB *4	1	18	* R0744100	DRESS COVER TRI	1
7	R0741300	TRI/FFC SOCKET OUTLET	1	19	R0792800	FLUSSOSTATO TRI	1
8	R0742900	CORD GRIP GROMMET X 3	1	19	* R0737500	FLOW SWITCH ASSEMBLY SPARES	1
9	R0741501	TRI MAINS INPUT CABLE NO PLUG	1	20	R0797200	CONNECTOR 3/4" X 1/2" FOR SIKA	1
10	R0768700	PLUG GREY 3 PIN	1	21	W013010	COLLARE PRESA IN CARICO DN50MM	1
11	R0615400	PCB CONTROL HYDROXINATOR	1	21	W013011	COLLARE PRESA IN CARICO DN63MM	1
12	R0741400	SCREW M4*6 PAN PHIL Z/P X 4	1	22	R0740800	CAP TRI CELL	1

*** SI FACCIÀ RIFERIMENTO AL FOGLIO DELLE OSSERVAZIONI**

CODICE **WW000047, WW000048, WW000049, WW000050, WW000051,**
WW000052, WW000053, WW000054, WW000133, WW000134

DESCRIZIONE: TRI EXPERT / TRI EXPERT LS / TRI

13	R0742500	COVER BOTTOM TRI STD	1	23	R0740600	LOCKING RING TRI CELL	1
14	* R0743203	TRI EXPERT CHASSIS COVER	1	24	R0739000	O RING TRI CELL *2	1
14	* R0743205	CHASSIS COVER TRI EXPERT LS	1	25	* R0758400	ELECTRODE TRI 10 EU	1
25	* R0806300	ELECTRODE TRI 10 LS EU	1	28	R0748700	UNION SET TRI CELL EU	1
25	* R0758500	ELECTRODE TRI 17 EU	1	29	R0768600	GREY REDUCING BUSH (GD) (SET OF 2)	1
25	* R0806400	ELECTRODE TRI 18 LS EU	1	30	R0770300	REDUCING BUSH WHITE	1
25	* R0758600	ELECTRODE TRI 22 EU	1	31	R0749600	SOCKET 3.5MM MONO EI/TRI	1
25	* R0758700	ELECTRODE TRI 35 EU	1	32	R0737900	TRI/EI GREEN TERMINAL BLOCK X 2	1
26	R0740200	CELL HOUSING BLANK TRI	1	/	R0861500	CENTRALINA COMPLETA RKIT EXO IQ PER	1
27	R0737700	TRI BARREL UNION O RING *2	1				

CODICE **WW000047, WW000048, WW000049, WW000050, WW000051,
WW000052, WW000053, WW000054, WW000133, WW000134**

DESCRIZIONE: **TRI EXPERT / TRI EXPERT LS / TRI**

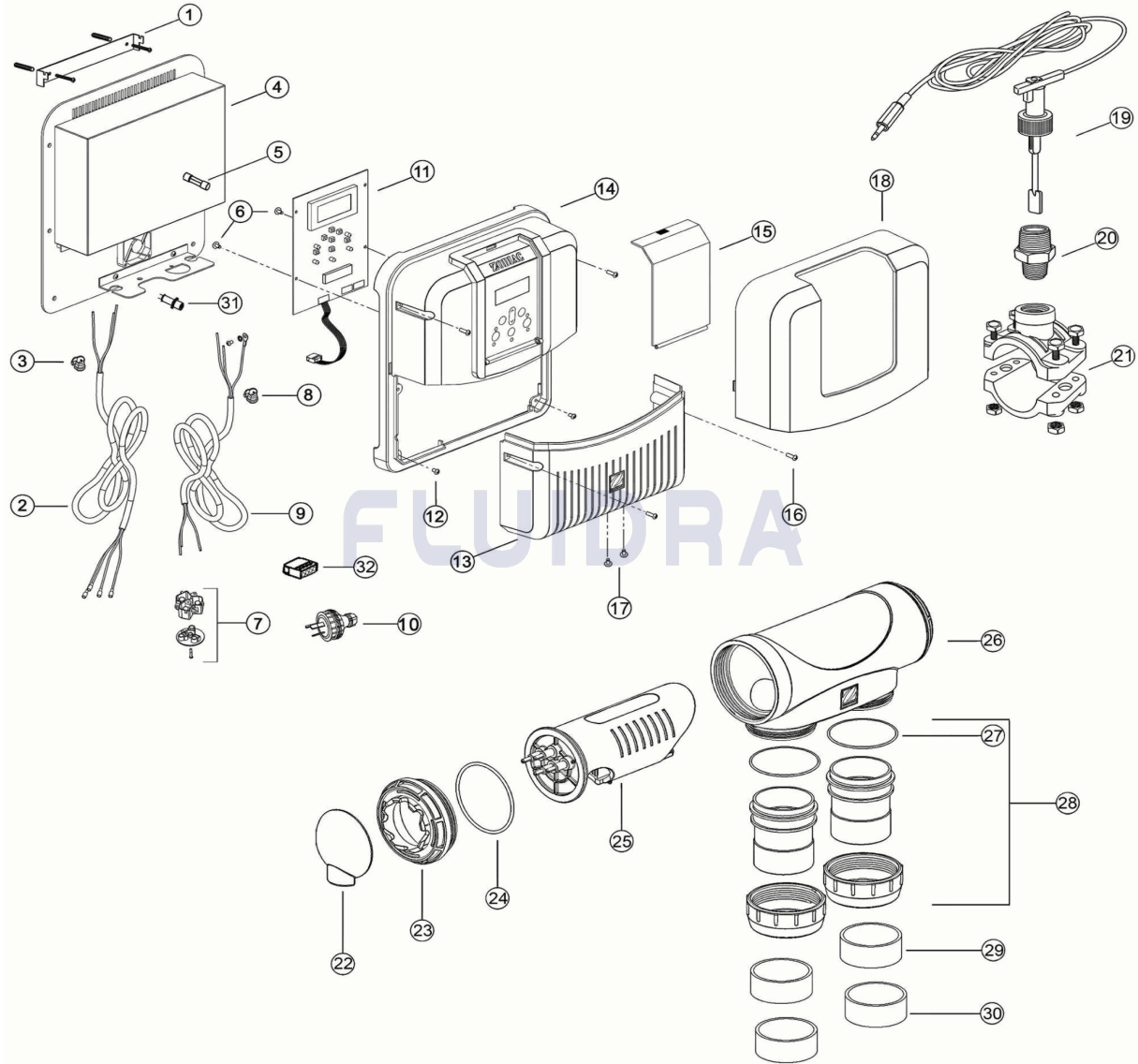
OSSERVAZIONI

POS	CODICE	OSSERVAZIONI
14	* R0743203	PER: WW000051, WW000052, WW000053, WW000054
14	* R0743205	PER: WW000133, WW000134
14	* R0743204	PER: WW000047, WW000048, WW000049, WW000050
18	* R0741000	PER: WW000051, WW000052, WW000053, WW000054, WW000133, WW000134
18	* R0744100	PER: WW000047, WW000048, WW000049, WW000050
19	* R0737500	PER: WW000047, WW000048, WW000049, WW000050
25	* R0758400	PER: WW000051, WW000047
25	* R0806300	PER: WW000133
25	* R0758500	PER: WW000052, WW000048
25	* R0806400	PER: WW000134
25	* R0758600	PER: WW000053, WW000049
25	* R0758700	PER: WW000054, WW000050

CODE

**WW000047, WW000048, WW000049, WW000050, WW000051,
WW000052, WW000053, WW000054, WW000133, WW000134**

BESCHREIBUNG: TRI EXPERT / TRI EXPERT LS / TRI


DEUTSCH

POS	CODE	BESCHREIBUNG	MENGE	POS	CODE	BESCHREIBUNG	MENGE
1	R0740700	MOUNTING BRACKET TRI	1	14	* R0743204	TRI CHASSIS COVER	1
2	R0740300	VERBINDUNGSKABEL STEUER-	1	15	R0741800	CLEAR COVER TRI	1
3	R0768100	CABLE CORD GRIP EI/TRI	1	16	R0743000	SCREW M4X20MM X 4	1
4	W082981	TRAFOEINHEIT	1	17	R0742400	SCREW M3X5MM ZINC X 2	1
5	W110201	SICHERUNG 2,5 A	1	18	* R0741000	LABEL KEYBOARD TRI EXPERT	1
6	R0743400	SCREWS TRI PCB *4	1	18	* R0744100	DRESS COVER TRI	1
7	R0741300	BUCHSE FÜR 3-PIN STECKER	1	19	R0792800	PADDELSCHALTER TRI	1
8	R0742900	CORD GRIP GROMMET X 3	1	19	* R0737500	PADDELSCHALTER SWC	1
9	R0741501	TRI MAINS INPUT CABLE NO PLUG	1	20	R0797200	ADAPTER F. PADDELSCHALTER	1
10	R0768700	PLUG GREY 3 PIN	1	21	W013010	ANBOHRSCHELLE F. 50ER ROHR	1
11	R0615400	PLATINE F. HYDROXINATOR	1	21	W013011	ANBOHRSCHELLE Ø 63 MM KOMPLETT	1
12	R0741400	SCREW M4*6 PAN PHIL Z/P X 4	1	22	R0740800	CAP TRI CELL	1

* SIEHE ANMERKUGSBLATT

CODE **WW000047, WW000048, WW000049, WW000050, WW000051,
WW000052, WW000053, WW000054, WW000133, WW000134**

BESCHREIBUNG: **TRI EXPERT / TRI EXPERT LS / TRI**

13	R0742500	COVER BOTTOM TRI STD	1	23	R0740600	VERSCHLUßKAPPE F. ZELLE	1
14	* R0743203	TRI EXPERT CHASSIS COVER	1	24	R0739000	O RING TRI CELL *2	1
14	* R0743205	CHASSIS COVER TRI EXPERT LS	1	25	* R0758400	ELEKTROLYSE-ZELLE F. TRI 10	1
25	* R0806300	ELEKTROLYSE-ZELLE F. TRI 10 LS	1	28	R0748700	UNION SET TRI CELL EU	1
25	* R0758500	ELEKTROLYSE-ZELLE F. TRI 18	1	29	R0768600	GREY REDUCING BUSH (GD) (SET OF 2)	1
25	* R0806400	ELEKTROLYSE-ZELLE F. TRI 18 LS	1	30	R0770300	PVC ADAPTER 1 1/2	1
25	* R0758600	ELEKTROLYSE-ZELLE F. TRI 22	1	31	R0749600	BUCHSE	1
25	* R0758700	ELEKTROLYSE-ZELLE F. TRI 35	1	32	R0737900	TRI/EI GREEN TERMINAL BLOCK X 2	1
26	R0740200	CELL HOUSING BLANK TRI	1	/	R0861500	RKIT EXO IQ KOMPLETTES KRAFTPAKET Z	1
27	R0737700	O-RING F. TRI/HYDROXINATOR	1				

CODE **WW000047, WW000048, WW000049, WW000050, WW000051,
WW000052, WW000053, WW000054, WW000133, WW000134**

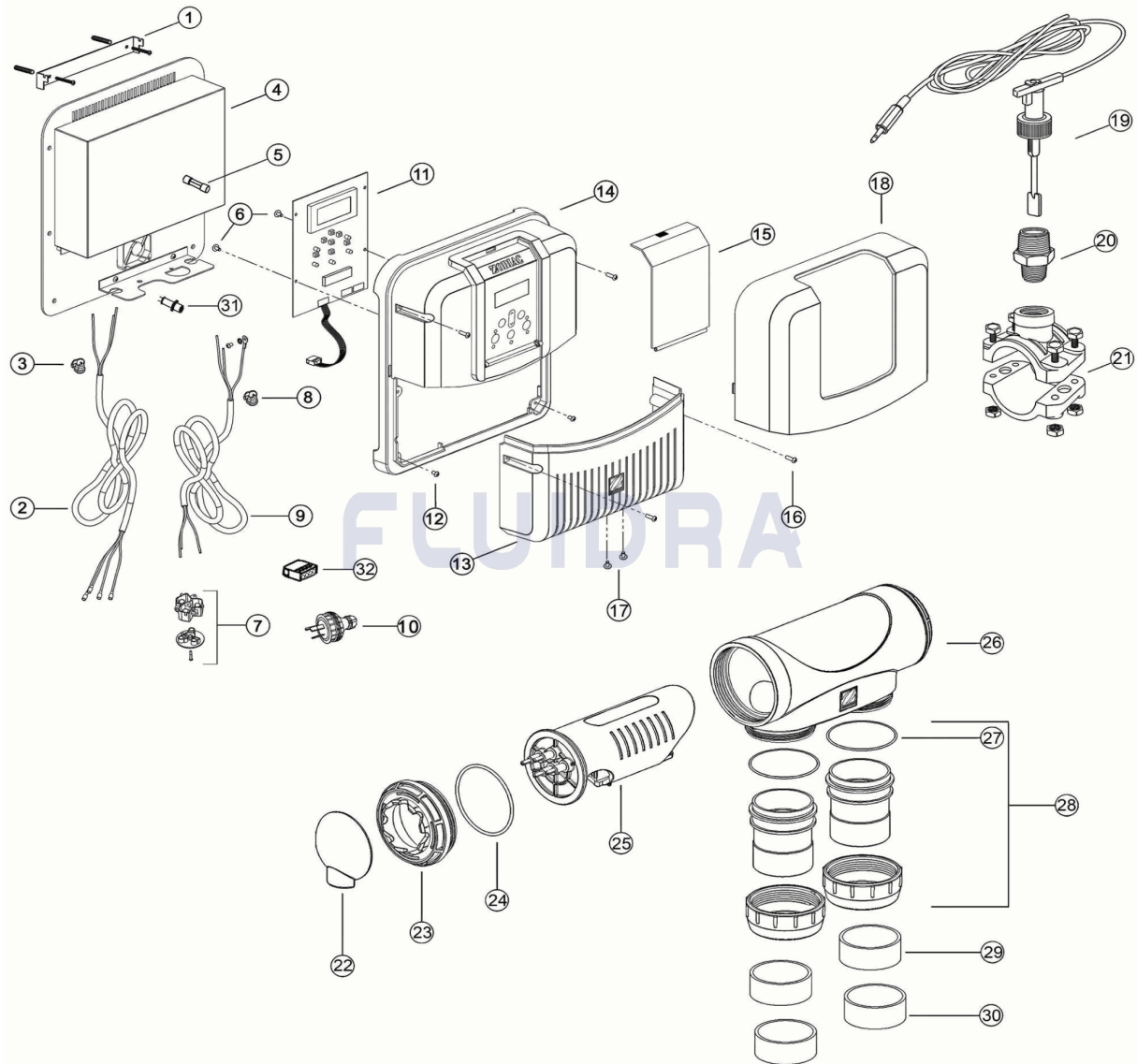
BESCHREIBUNG: **TRI EXPERT / TRI EXPERT LS / TRI**

HINWEISE

POS	CODE	HINWEISE
14	* R0743203	FÜR: WW000051, WW000052, WW000053, WW000054
14	* R0743205	FÜR: WW000133, WW000134
14	* R0743204	FÜR: WW000047, WW000048, WW000049, WW000050
18	* R0741000	FÜR: WW000051, WW000052, WW000053, WW000054, WW000133, WW000134
18	* R0744100	FÜR: WW000047, WW000048, WW000049, WW000050
19	* R0737500	FÜR: WW000047, WW000048, WW000049, WW000050
25	* R0758400	FÜR: WW000051, WW000047
25	* R0806300	FÜR: WW000133
25	* R0758500	FÜR: WW000052, WW000048
25	* R0806400	FÜR: WW000134
25	* R0758600	FÜR: WW000053, WW000049
25	* R0758700	FÜR: WW000054, WW000050

CODIGO **WW000047, WW000048, WW000049, WW000050, WW000051,**
WW000052, WW000053, WW000054, WW000133, WW000134

DESCRIÇÃO: TRI EXPERT / TRI EXPERT LS / TRI



PORTUGUES

POS	CODIGO	DESCRIÇÃO	JANTIDADE	POS	CODIGO	DESCRIÇÃO	JANTIDADE
1	R0740700	MOUNTING BRACKET TRI	1	14	* R0743204	TRI CHASSIS COVER	1
2	R0740300	CABLE CELL OUTPUT TRI	1	15	R0741800	CLEAR COVER TRI	1
3	R0768100	CABLE CORD GRIP EI/TRI	1	16	R0743000	SCREW M4X20MM X 4	1
4	W082981	PLACA ELECT. ALIM. TRI	1	17	R0742400	SCREW M3X5MM ZINC X 2	1
5	W110201	FUSÍVEL M205 AT	1	18	* R0741000	LABEL KEYBOARD TRI EXPERT	1
6	R0743400	SCREWS TRI PCB *4	1	18	* R0744100	DRESS COVER TRI	1
7	R0741300	TRI/FFC SOCKET OUTLET	1	19	R0792800	DETECTOR DE CAUDAL TRI	1
8	R0742900	CORD GRIP GROMMET X 3	1	19	* R0737500	DETECTOR CAUDAL SIKA VKL05M	1
9	R0741501	TRI MAINS INPUT CABLE NO PLUG	1	20	R0797200	ADAPTADOR 1/2"-3/4" DET CAUDAL	1
10	R0768700	PLUG GREY 3 PIN	1	21	W013010	BRAÇADEIRA DM 50 M	1
11	R0615400	PCB CONTROL HYDROXINATOR	1	21	W013011	BRAÇADEIRA DM 63 M	1
12	R0741400	SCREW M4*6 PAN PHIL Z/P X 4	1	22	R0740800	CAP TRI CELL	1

*** VEJA A FICHA DE OBSERVAÇÕES**

CODIGO **WW000047, WW000048, WW000049, WW000050, WW000051,**
WW000052, WW000053, WW000054, WW000133, WW000134

DESCRIÇÃO: TRI EXPERT / TRI EXPERT LS / TRI

13	R0742500	COVER BOTTOM TRI STD	1	23	R0740600	ROSCA FIXACAO CELULA TRI	1
14	* R0743203	TRI EXPERT CHASSIS COVER	1	24	R0739000	O-RING TRI *2	1
14	* R0743205	CHASSIS COVER TRI EXPERT LS	1	25	* R0758400	CELULA TRI 10	1
25	* R0806300	CELULA TRI 10 LS	1	28	R0748700	UNION SET TRI CELL EU	1
25	* R0758500	CELULA TRI 18	1	29	R0768600	GREY REDUCING BUSH (GD) (SET OF 2)	1
25	* R0806400	CELULA TRI 18 LS	1	30	R0770300	REDUCING BUSH WHITE	1
25	* R0758600	CELULA TRI 22	1	31	R0749600	SOCKET 3.5MM MONO EI/TRI	1
25	* R0758700	CELULA TRI 35	1	32	R0737900	TRI/EI GREEN TERMINAL BLOCK X 2	1
26	R0740200	CORPO CELULA VAZIA TRI	1	/	R0861500	RKIT EXO IQ COMPLETO PACK DE POTÊNC	1
27	R0737700	TRI BARREL UNION O RING *2	1				

CODIGO **WW000047, WW000048, WW000049, WW000050, WW000051,**
WW000052, WW000053, WW000054, WW000133, WW000134

DESCRIÇÃO: TRI EXPERT / TRI EXPERT LS / TRI

OBSERVAÇÕES

POS	CODIGO	OBSERVAÇÕES
14	* R0743203	PARA: WW000051, WW000052, WW000053, WW000054
14	* R0743205	PARA: WW000133, WW000134
14	* R0743204	PARA: WW000047, WW000048, WW000049, WW000050
18	* R0741000	PARA: WW000051, WW000052, WW000053, WW000054, WW000133, WW000134
18	* R0744100	PARA: WW000047, WW000048, WW000049, WW000050
19	* R0737500	PARA: WW000047, WW000048, WW000049, WW000050
25	* R0758400	PARA: WW000051, WW000047
25	* R0806300	PARA: WW000133
25	* R0758500	PARA: WW000052, WW000048
25	* R0806400	PARA: WW000134
25	* R0758600	PARA: WW000053, WW000049
25	* R0758700	PARA: WW000054, WW000050