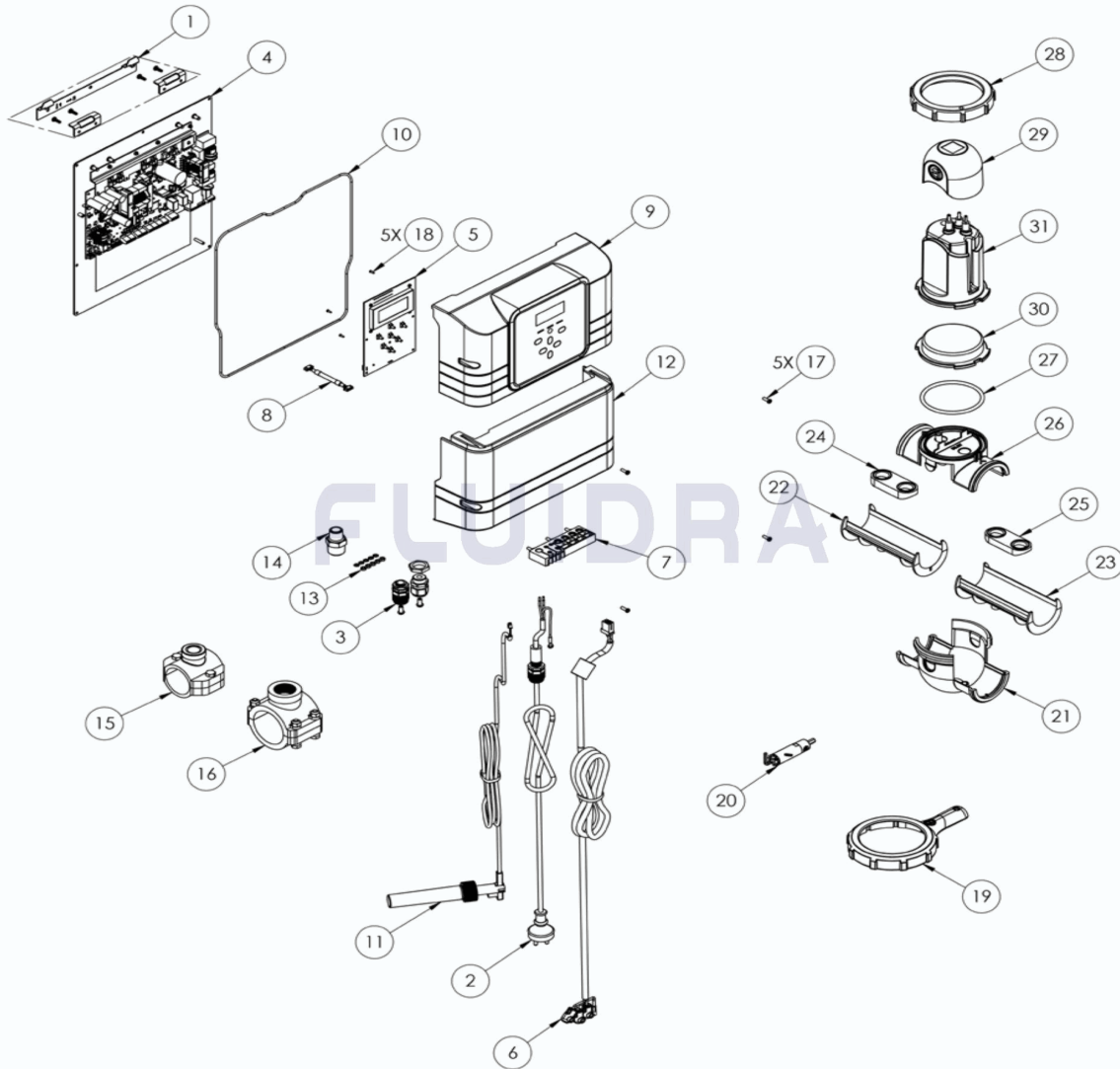


CODIGO **WW000159, WW000160, WW000161**

 DESCRIPCION: **GENSALT OT**

ESPAÑOL

POS	CODIGO	DESCRIPCION	CANTIDAD	POS	CODIGO	DESCRIPCION	CANTIDAD
1	R0821100	KIT FIJACIÓN MURAL		16	W013011	ABRAZADERA DM 63 M COMPLETO (ADAP1	
2	R0821200	CABLE ALIMENTACIÓN SECTOR 230V		17	R0516700	TORNILLO 4*12 MM (PACK DE 5 UN.)	
3	R0821600	KIT PRENSA - ESTOPAS		18	R0564500	TORNILLO 2,2*6,5 MM (5 UN.)	
4	R0842100	TARJETA ALIMENTACIÓN GSOT TNG		19	R0769900	LLAVE APRIETE CÉLULA	
5	R0822200	TARJETA DE CONTROL IHM		20	R0797300	ABRAZADERA Ø 63	
6	R0822500	CABLE ALIMENTACIÓN CÉLULA		21	R0768400	COLLARÍN INFERIOR DE TOMA DE CARGA	
7	R0823000	PASACABLES FLEXIBLE		22	R0770200	SUPLEMENTO ADAPTADOR DE TUBO 1 ½"	
8	R0823100	CABLE DE TARJETA ELECTRÓNICA DE CO		23	R0770000	ADAPTADOR PARA TUBO Ø50 MM (EU)	
9	R0839200	CUBIERTA SUPERIOR BLANCA GENSALT C		24	R0769700	ADAPTADOR DE TUBO EU Ø 50 O 63 MM	
10	R0823600	JUNTA TÓRICA CHASIS		25	R0767800	JUNTA DE TUBO 1 ½"	
11	R0823800	INTERRUPTOR DE CAUDAL CON CONECTI		26	R0767900	COLLARÍN SUPERIOR DE TOMA DE CARGA	
12	R0839400	CUBIERTA INFERIOR BLANCA GENSALT O'		27	R0738500	JUNTA TÓRICA DEL POD	
13	R0824000	KIT TORNILLO+ ARANDELA PARA TOMA DE		28	R0768200	TUERCA DE CIERRE POD	

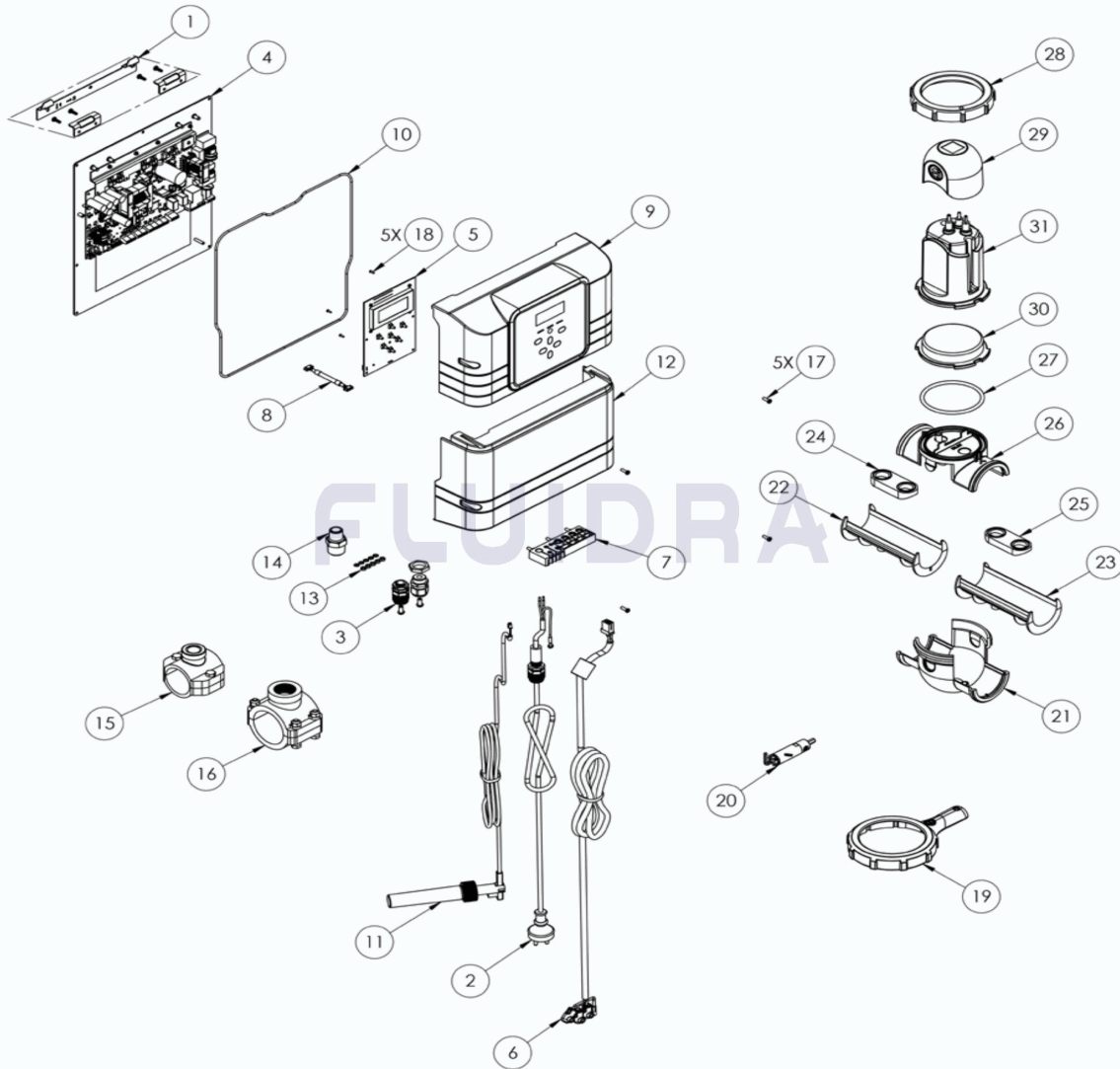
CODIGO **WW000159,WW000160,WW000161**DESCRIPCION: **GENSALT OT**

14	R0797200	ADAPTADOR 1/2" - 3/4" PARA DETECTOR E	29	R0768000	TAPA CONECTORES DE CÉLULA
15	W013010	ABRAZADERA DM 50 M COMPLETO (ADAP	30	R0770100	TAPÓN DE HIBERNAJE PARA LA CÉLULA
31	* R0758800	ELECTRODO GENSALT OE 10	31	* R0759000	ELECTRODO EI² 25
31	* R0758900	ELECTRODO GENSALT OE 17			

CODIGO **WW000159,WW000160,WW000161**DESCRIPCION: **GENSALT OT****OBSERVACIONES**

POS	CODIGO	OBSERVACIONES
31	* R0758800	PARA: WW000159
31	* R0758900	PARA: WW000160
31	* R0759000	PARA: WW000161

CODE **WW000159, WW000160, WW000161**

 DESCRIPTION: **GENSALT OT**

FRANCAIS

POS	CODE	DESCRIPTION	QUANTITE	POS	CODE	DESCRIPTION	QUANTITE
1	R0821100	SUPPORT DE FIXATION MURALE + KIT VIS		16	W013011	COLLIER DE PRISE EN CHARGE DN63 MM	
2	R0821200	CÂBLE D'ALIMENTATION SECTEUR		17	R0516700	VIS 4*12 MM (X5)	
3	R0821600	KIT PRESSE-ÉTOUPES		18	R0564500	VIS 2,2*6,5 MM (X5)	
4	R0842100	CARTE ALIMENTATION GENSALT OT		19	R0769900	CLÉ POUR DESSERRAGE BAGUE ÉLECTR	
5	R0822200	CARTE DE CONTRÔLE IHM		20	R0797300	SCIE-CLOCHE 22 MM POUR PERÇAGE TUY	
6	R0822500	CÂBLE D'ALIMENTATION DE CELLULE		21	R0768400	DEMI-COLLIER DE PRISE EN CHARGE EI IN	
7	R0823000	PASSE-FIL SOUPLE		22	R0770200	ADAPTATEUR DE TUYAU UK (1½")	
8	R0823100	CÂBLE DE CARTE DE CONTRÔLE IHM		23	R0770000	ADAPTATEUR DE TUYAU EU (DN50 MM)	
9	R0839200	CAPOT SUPÉRIEUR BLANC GENSALT OT		24	R0769700	JOINT PLAT DE TUYAU EU (DN50 MM & DN€	
10	R0823600	JOINT-TORIQUE CHASSIS		25	R0767800	JOINT PLAT DE TUYAU UK (1½")	
11	R0823800	DÉTECTEUR DE DÉBIT AVEC CONNECTEU		26	R0767900	DEMI-COLLIER DE PRISE EN CHARGE SUP	
12	R0839400	CAPOT INFÉRIEUR BLANC GENSALT OT		27	R0738500	JOINT TORIQUE D'ÉLECTRODE	
13	R0824000	KIT DE MISE À LA TERRE (X5)		28	R0768200	BAGUE DE SERRAGE ÉLECTRODE	

CODE **WW000159,WW000160,WW000161**DESCRIPTION: **GENSALT OT**

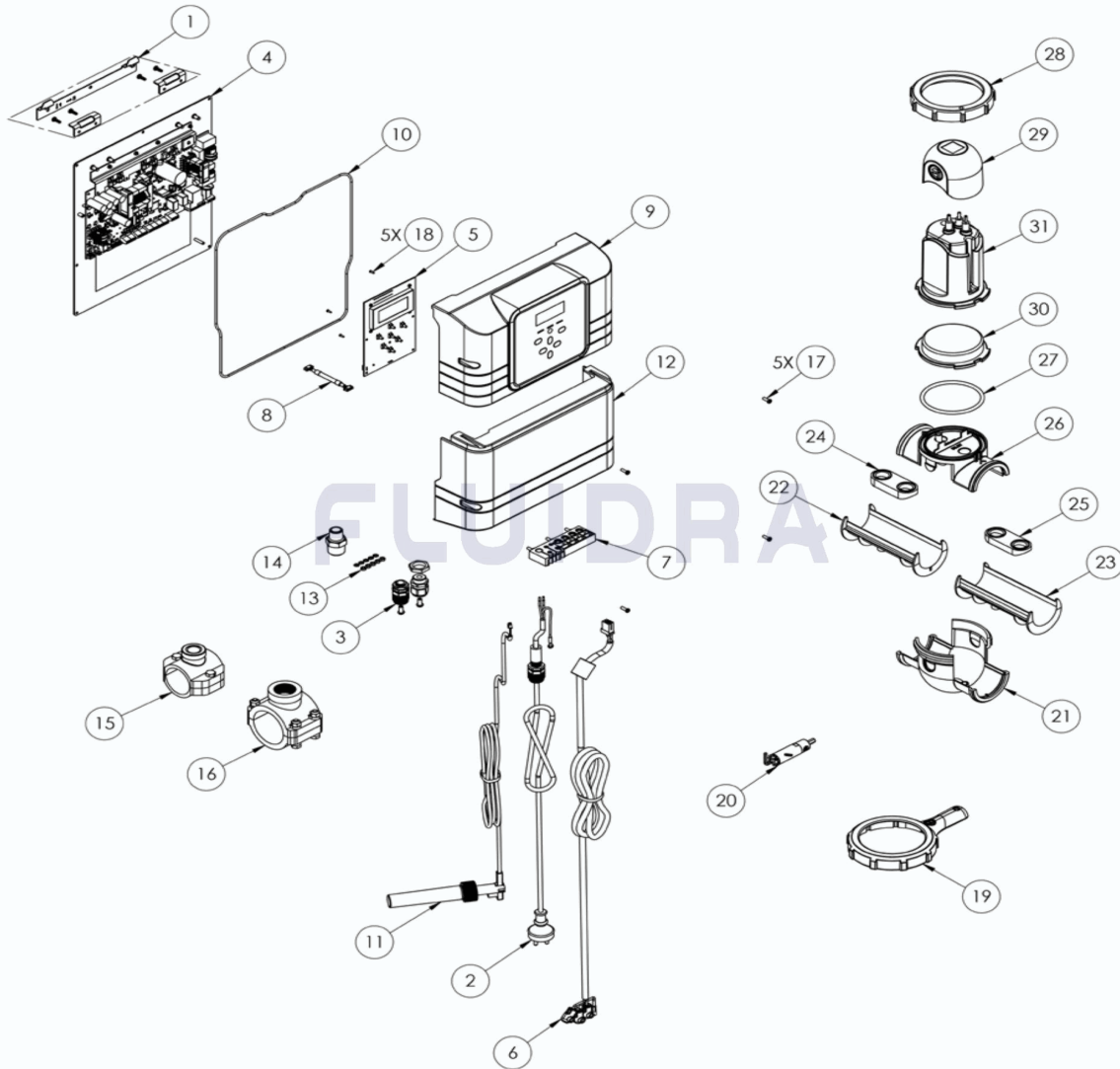
14	R0797200	ADAPTATEUR 1/2" - 3/4" POUR DÉTECTEUR	29	R0768000	CAPUCHON DE CELLULE
15	W013010	COLLIER DE PRISE EN CHARGE DN50 MM	30	R0770100	CAPUCHON D'HIVERNAGE DE CELLULE
31	* R0758800	ELECTRODE GENSALT OE 10 COMPLÈTE	31	* R0759000	ELECTRODE EI ² 25 COMPLÈTE
31	* R0758900	ELECTRODE GENSALT OE 17 COMPLÈTE			

CODE **WW000159,WW000160,WW000161**DESCRIPTION: **GENSALT OT****OBSERVATIONS**

POS	CODE	OBSERVATIONS
31	* R0758800	POUR: WW000159
31	* R0758900	POUR: WW000160
31	* R0759000	POUR: WW000161

CODE **WW000159, WW000160, WW000161**

DESCRIPTION: **GENSALT OT**



ENGLISH

POS	CODE	DESCRIPTION	QUANTITY	POS	CODE	DESCRIPTION	QUANTITY
1	R0821100	WALL MOUNT KIT W/ SCREWS		16	W013011	COMPLETE DN63 MM SADDLE CLAMP (AD/	
2	R0821200	DEVICE POWER CORD		17	R0516700	SCREWS 4*12 MM (X5)	
3	R0821600	CABLE GLAND KIT		18	R0564500	SCREWS 2,2*6,5 MM (X5)	
4	R0842100	POWER SUPPLY ELECTRONIC CARD GEN:		19	R0769900	LOCKING RING WRENCH (NOT INCLUDED	
5	R0822200	HMI CONTROL CARD		20	R0797300	HOLE SAW 22 MM FOR PIPE DRILLING	
6	R0822500	CELL CABLE		21	R0768400	SADDLE CLAMP BOTTOM	
7	R0823000	SOFT GROMMET		22	R0770200	UK PIPE ADAPTER (1 1/2")	
8	R0823100	HMI CONTROL CARD CABLE		23	R0770000	EU PIPE ADAPTER (DN50 MM)	
9	R0839200	GENSALT OT WHITE UPPER HOUSING		24	R0769700	FLAT HOSE JOINT DN50 MM & DN63 MM (EI	
10	R0823600	CHASSIS O-RING		25	R0767800	FLAT HOSE JOINT 1 1/2" (UK)	
11	R0823800	FLOW SWITCH WITH CONNECTOR		26	R0767900	SADDLE CLAMP TOP	
12	R0839400	GENSALT OT WHITE LOWER HOUSING		27	R0738500	ELECTRODE O-RING	
13	R0824000	GROUND CONNECTION KIT (X5)		28	R0768200	ELECTRODE TIGHTENING RING	

*** SEE OBSERVATIONS SHEET**

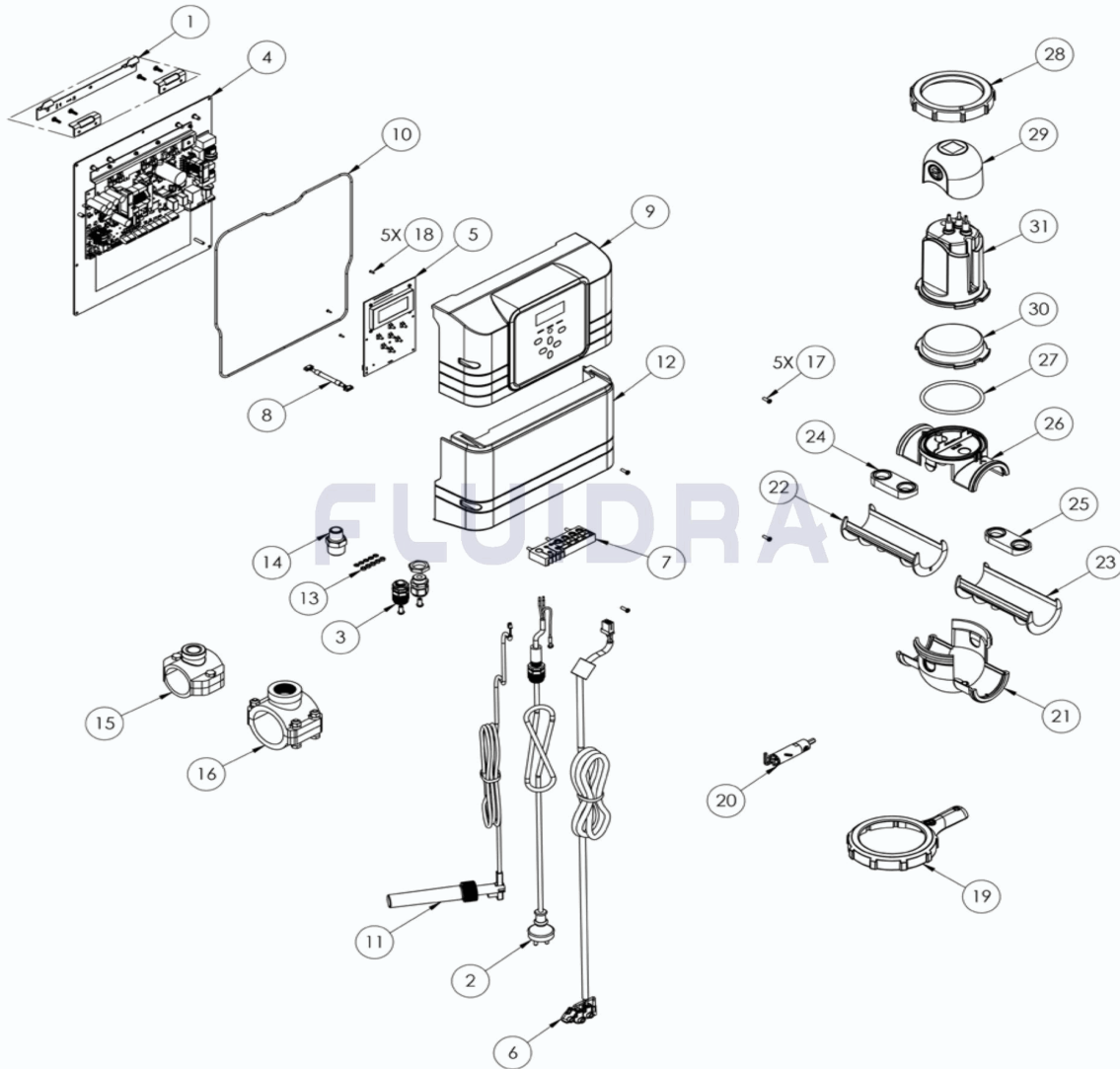
CODE **WW000159,WW000160,WW000161**DESCRIPTION: **GENSALT OT**

14	R0797200	3/4"X1/2" ADAPTER FOR FLOW SWITCH	29	R0768000	CELL CAP
15	W013010	COMPLETE DN50 MM SADDLE CLAMP (AD	30	R0770100	WINTERIZING CAP FOR CELL
31	* R0758800	COMPLETE GENSALT OE 10 ELECTRODE	31	* R0759000	COMPLETE EI ² 25 ELECTRODE
31	* R0758900	COMPLETE GENSALT OE 17 ELECTRODE			

CODE **WW000159,WW000160,WW000161**DESCRIPTION: **GENSALT OT****OBSERVATIONS**

POS	CODE	OBSERVATIONS
31	* R0758800	FOR: WW000159
31	* R0758900	FOR: WW000160
31	* R0759000	FOR: WW000161

CODICE **WW000159, WW000160, WW000161**

 DESCRIZIONE: **GENSALT OT**

ITALIANO

POS	CODICE	DESCRIZIONE	QUANTITA'	POS	CODICE	DESCRIZIONE	QUANTITA'
1	R0821100	MOUNTING BRACKET TNG		16	W013011	COLLARE PRESA IN CARICO DN63MM	
2	R0821200	POWER CABLE TNG		17	R0516700	VITE 4*12 MM (*5)	
3	R0821600	CABLE GLAND TNG		18	R0564500	VITE 2.2*6,5 MM (*5)	
4	R0842100	KIT ALIMENTAZIONE GSOT TNG		19	R0769900	LOCKING COLLAR TOOL POD	
5	R0822200	PCB CONTROL TNG		20	R0797300	22 MM DIA ETHER HOLE SAW	
6	R0822500	CABLE CELL OUTPUT TNG		21	R0768400	CLAMP BOTTOM POD	
7	R0823000	CORD GRIP GROMMET TNG		22	R0770200	PIPE ADAPTOR POD AU/USA	
8	R0823100	CABLE HMI CONTROL CARD TNG		23	R0770000	PIPE ADAPTOR POD EU/SA	
9	R0839200	COP SUP GENSALT TNG		24	R0769700	GASKET - POD EU/SA	
10	R0823600	O RING TNG		25	R0767800	EI GASKET UK	
11	R0823800	FLOW SWITCH ASSEMBLY TNG		26	R0767900	CLAMP TOP POD	
12	R0839400	COPERCHIO INF BIANCO TNG		27	R0738500	O RING EI CELL	
13	R0824000	GROUND CONNECTION X 5 TNG		28	R0768200	LOCKING COLLAR POD	

* SI FACCIA RIFERIMENTO AL FOGLIO DELLE OSSERVAZIONI

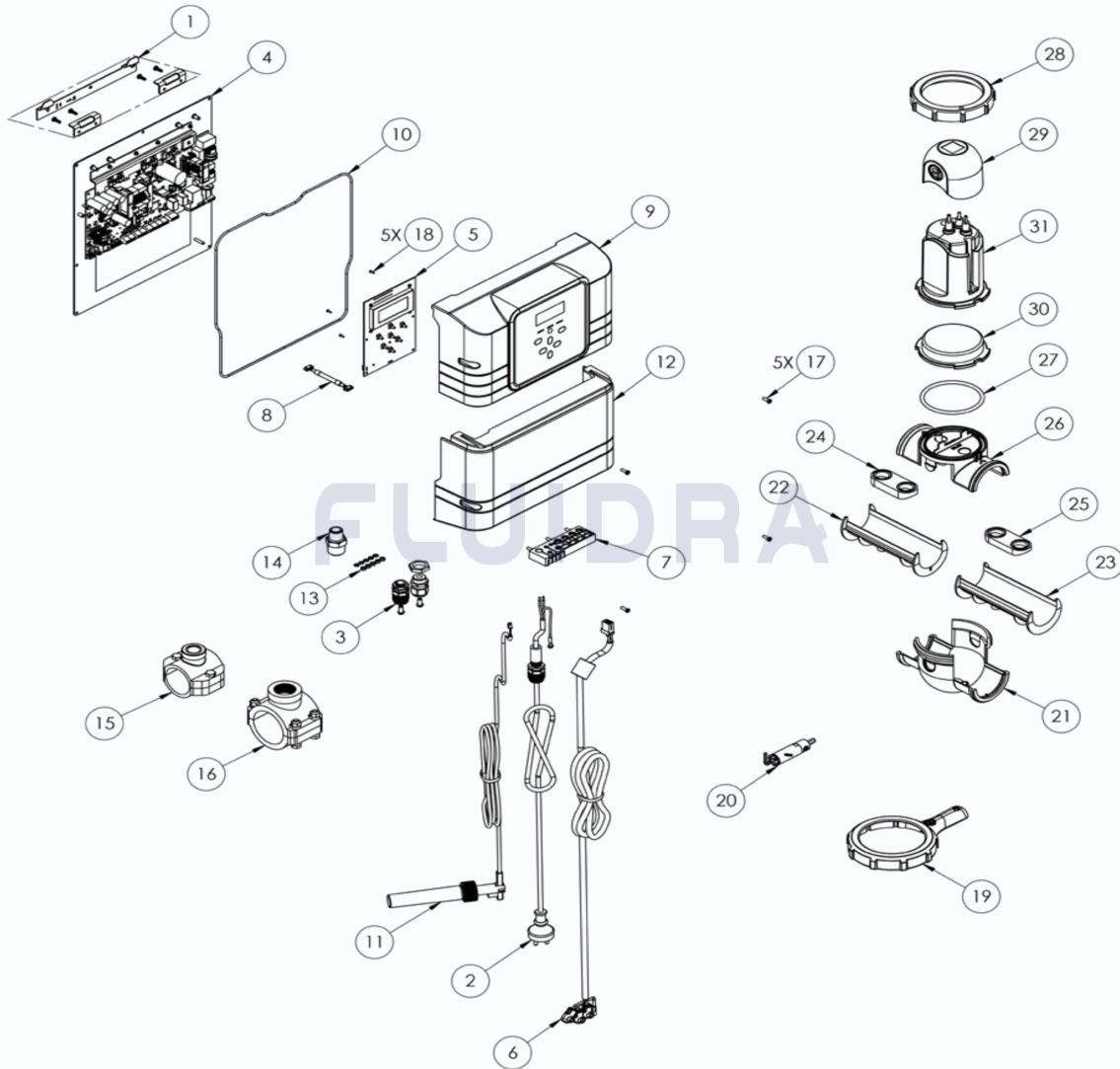
CODICE **WW000159,WW000160,WW000161**DESCRIZIONE: **GENSALT OT**

14	R0797200	CONNECTOR 3/4" X 1/2" FOR SIKA	29	R0768000	CAP EI CELL
15	W013010	COLLARE PRESA IN CARICO DN50MM	30	R0770100	CAPPUCCIO INVERNALE CELLULA
31	* R0758800	CELL EI 10 EU	31	* R0759000	CELL EI 25 EU
31	* R0758900	CELL EI 17 EU			

CODICE **WW000159,WW000160,WW000161**DESCRIZIONE: **GENSALT OT****OSSERVAZIONI**

POS	CODICE	OSSERVAZIONI
31	* R0758800	PER: WW000159
31	* R0758900	PER: WW000160
31	* R0759000	PER: WW000161

CODE **WW000159, WW000160, WW000161**

 BESCHREIBUNG: **GENSALT OT**

DEUTSCH

POS	CODE	BESCHREIBUNG	MENGE	POS	CODE	BESCHREIBUNG	MENGE
1	R0821100	MOUNTING BRACKET TNG		16	W013011	ANBOHRSCHELLE Ø 63 MM KOMPLETT	
2	R0821200	POWER CABLE TNG		17	R0516700	SCHRAUBE 4 * 12 MM (SET mit 5 Stk.)	
3	R0821600	CABLE GLAND TNG		18	R0564500	SCHRAUBE 2,2 * 6,5 MM (SET mit 5 Stk.)	
4	R0842100	NETZTEILSET KOMPLETT GSOT TNG		19	R0769900	RINGSCHLÜSSEL FÜR EI-ZELLE	
5	R0822200	PCB CONTROL TNG		20	R0797300	KRONENBOHRER DM 22 MM	
6	R0822500	CABLE CELL OUTPUT TNG		21	R0768400	UNTERTEIL F. ANBOHRSCHELLE	
7	R0823000	CORD GRIP GROMMET TNG		22	R0770200	PIPE ADAPTOR POD AU/USA	
8	R0823100	CABLE HMI CONTROL CARD TNG		23	R0770000	ROHRADAPTER F. Ø 50 MM	
9	R0839200	GENSALT GEHÄUSEOBERTEIL TNG		24	R0769700	DICHTUNG F. ANBOHRSCHELLE	
10	R0823600	O RING TNG		25	R0767800	EI GASKET UK	
11	R0823800	FLOW SWITCH ASSEMBLY TNG		26	R0767900	OBERTEIL F. ANBOHRSCHELLE POD	
12	R0839400	GEHÄUSEUNTERTEIL LEER WEIß TNG		27	R0738500	O RING EI CELL	
13	R0824000	GROUND CONNECTION X 5 TNG		28	R0768200	ÜBERWURFMUTTER F. ELEKTRODE	

* SIEHE ANMERKUGSBLATT

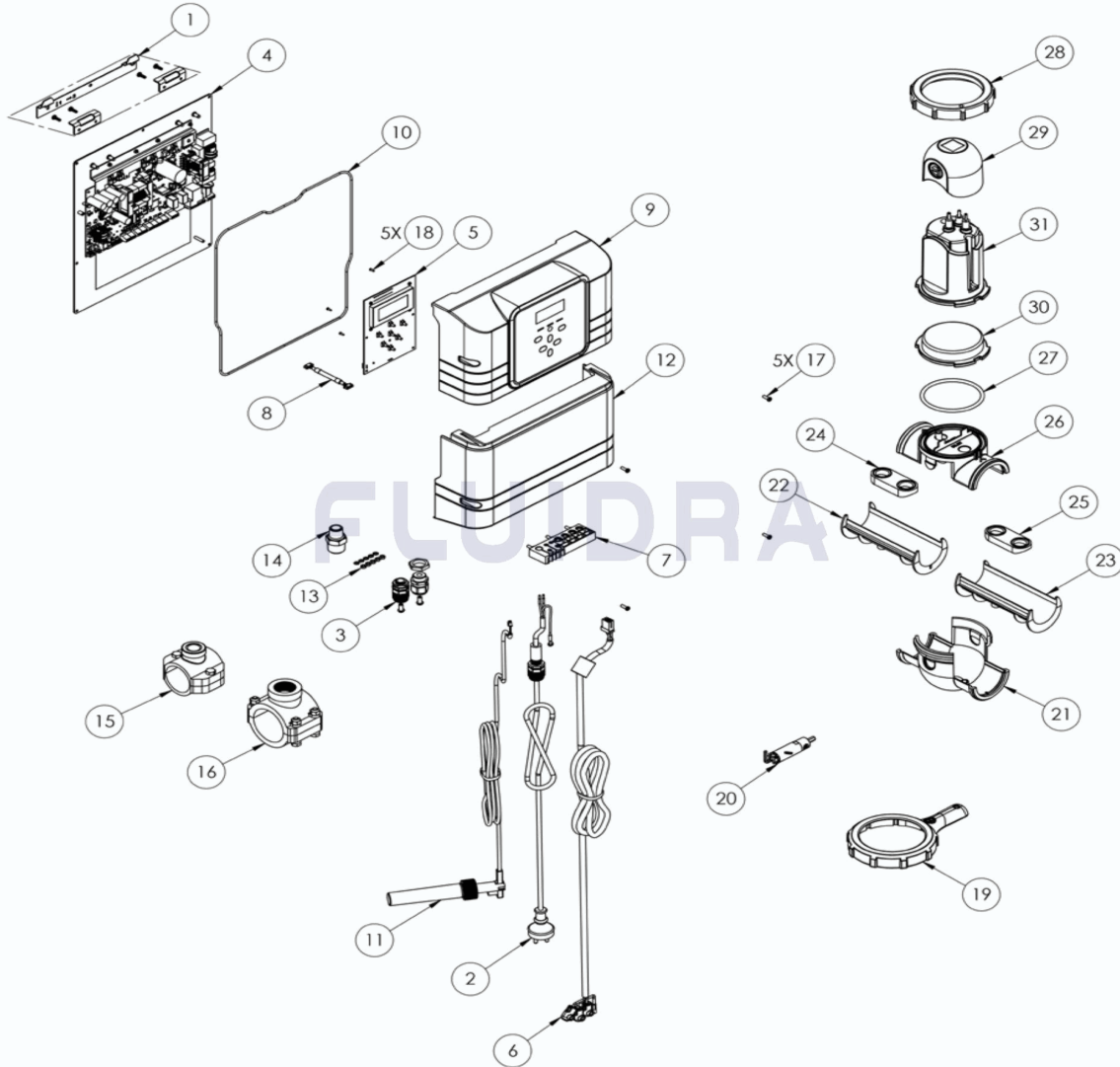
CODE **WW000159,WW000160,WW000161**BESCHREIBUNG: **GENSALT OT**

14	R0797200	ADAPTER F. PADDELSCHALTER	29	R0768000	CAP EI CELL
15	W013010	ANBOHRSCHELLE F. 50ER ROHR	30	R0770100	SCHUTZKAPPE ÜBERWINTERUNG EI
31	* R0758800	ELEKTROLYSE-ZELLE EI 10	31	* R0759000	ELEKTROLYSE-ZELLE EI 25
31	* R0758900	ELEKTROLYSE-ZELLE EI 18			

CODE **WW000159,WW000160,WW000161**BESCHREIBUNG: **GENSALT OT****HINWEISE**

POS	CODE	HINWEISE
31	* R0758800	FÜR: WW000159
31	* R0758900	FÜR: WW000160
31	* R0759000	FÜR: WW000161

CODIGO **WW000159,WW000160,WW000161**

 DESCRIÇÃO: **GENSALT OT**


PORTUGUES

POS	CODIGO	DESCRIÇÃO	JANTIDADE	POS	CODIGO	DESCRIÇÃO	JANTIDADE
1	R0821100	MOUNTING BRACKET TNG		16	W013011	BRAÇADEIRA DM 63 M	
2	R0821200	POWER CABLE TNG		17	R0516700	PARAFUSO 4*12 MM (Pack 5 UN)	
3	R0821600	CABLE GLAND TNG		18	R0564500	PARAFUSO 2.2*6,5mm (Pack 5 UN)	
4	R0842100	PLACA ALIMENTAÇÃO GSOT TNG		19	R0769900	CHAVE FIXAÇÃO EI	
5	R0822200	PCB CONTROL TNG		20	R0797300	22 MM DIA ETER HOLE SAW	
6	R0822500	CABLE CELL OUTPUT TNG		21	R0768400	ANEL INFERIOR EI	
7	R0823000	CORD GRIP GROMMET TNG		22	R0770200	SUPLEMTO ADAPTADOR TUBO 1½ UK	
8	R0823100	CABLE HMI CONTROL CARD TNG		23	R0770000	ADAPTADOR TUBO EI EU/SA	
9	R0839200	CAPÔ SUP GENSALT TNG		24	R0769700	JUNTA TUBO Ø 50/63(EU/SA)	
10	R0823600	O RING TNG		25	R0767800	JUNTA DE TUBO UK 1 ½"	
11	R0823800	FLOW SWITCH ASSEMBLY TNG		26	R0767900	TAMPA TOPO POD	
12	R0839400	CAPÔ INFERIOR BRANCO TNG		27	R0738500	O-RING CELULA EI	
13	R0824000	GROUND CONNECTION X 5 TNG		28	R0768200	EI/TRI PORCA FIXAÇÃO CÉLULA	

CODIGO **WW000159,WW000160,WW000161**DESCRIÇÃO: **GENSALT OT**

14	R0797200	ADAPTADOR 1/2"-3/4" DET CAUDAL	29	R0768000	TAMPA CONECTORES DE CÉLULA
15	W013010	BRAÇADEIRA DM 50 M	30	R0770100	TAMPA DE PROTECÇÃO CÉLULA EI
31	* R0758800	CELULA EI 10 EU	31	* R0759000	CELULA EI2 25
31	* R0758900	CELULA EI 17			

CODIGO **WW000159,WW000160,WW000161**DESCRIÇÃO: **GENSALT OT****OBSERVAÇÕES**

POS	CODIGO	OBSERVAÇÕES
31	* R0758800	PARA: WW000159
31	* R0758900	PARA: WW000160
31	* R0759000	PARA: WW000161